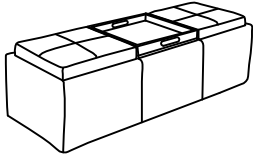


ASSEMBLY INSTRUCTION

STORAGE BENCH WITH 3 TRAYS

A Bench Body



1pc

B Leg
(Underneath the bench)

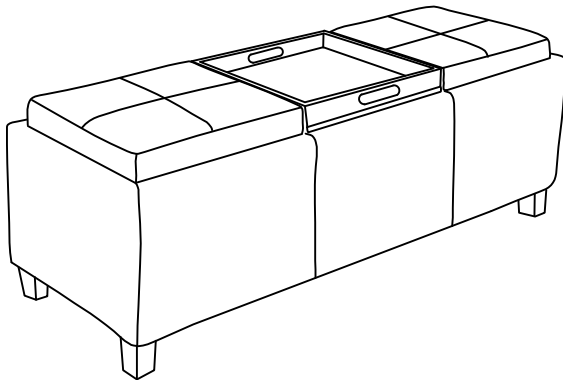


4pcs

C Flat Washer

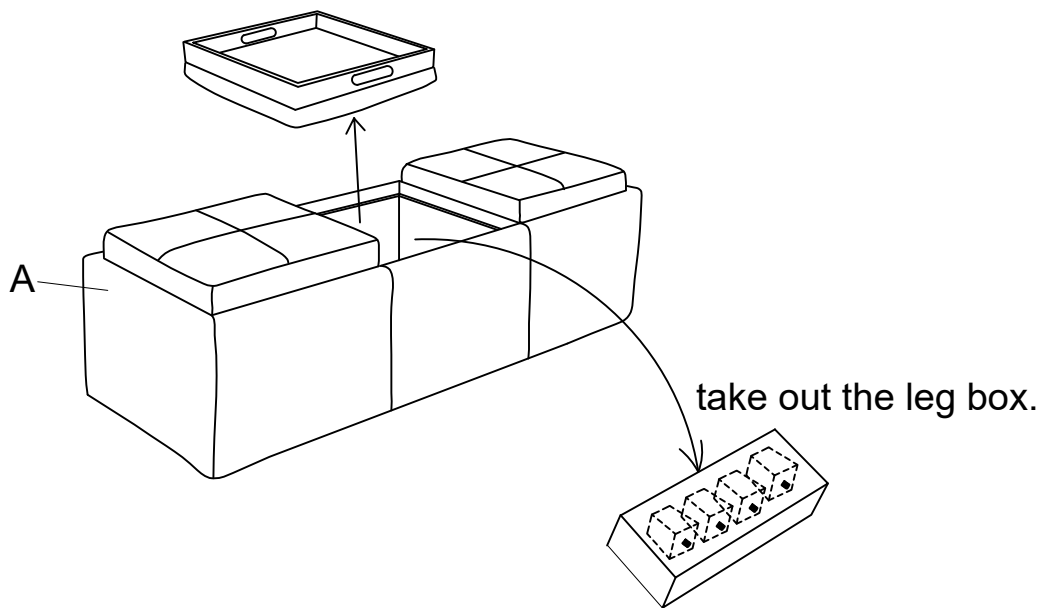


4pcs



This page lists all the contents included in the box. Please take the time to identify the hardware as well as the individual components to this product. As you unpack and prepare for assembly, place the contents on a carpeted or padded area to protect them from damage.

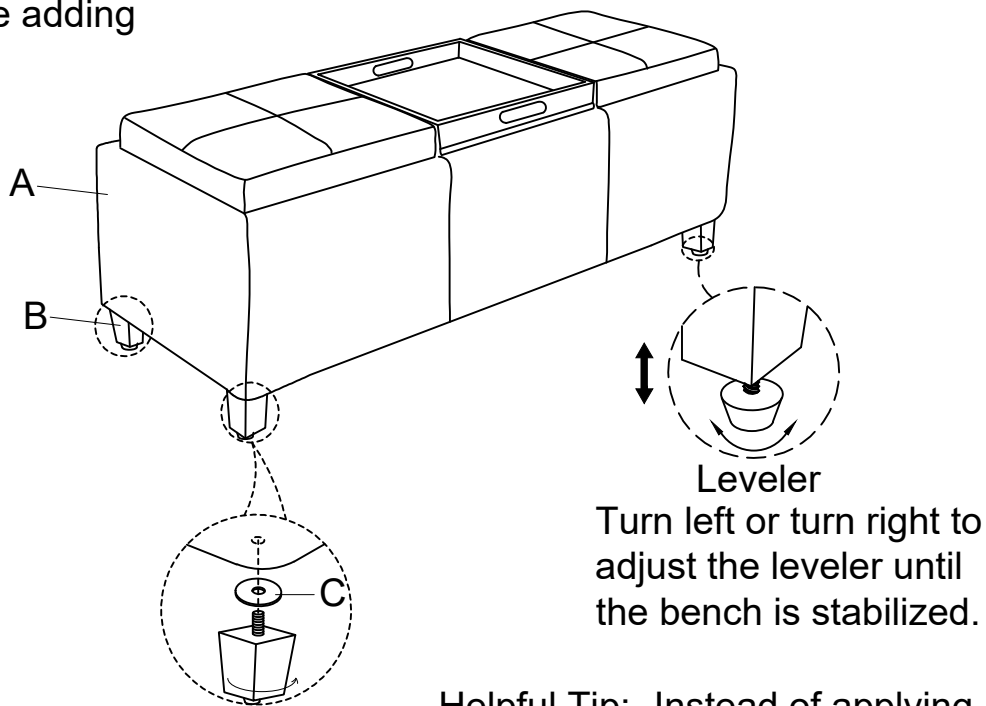
1 Put the Bench Body (A) on a smooth flat surface, then open the tray cushion and take out the leg box as below shown.



2 Rotate the Leg (B) with Flat Washer (C) to the holes of Bench Body (A) as below shown.

DO NOT TIGHTEN COMPLETELY.
Stop when you feel you are adding force to tighten the bolt.

Stand chair up on an even surface and check that it is balanced. If there is a slight wobble, apply downward pressure in the corner where a leg is uneven. Keeping pressure in that corner, tighten all bolts. If balanced, apply downward pressure evenly in the center and tighten all bolts. Do not over-tighten beyond hole depth.



Helpful Tip: -Instead of applying downward pressure while reaching under to tighten bolts, have someone sit in the bench while you tighten the bolts.

Cleaning & Care

Treat surface with care. Surface is resistant to scratches but is not scratch resistant. Clean surfaces with a dry or damp soft cloth. Do not use abrasive cleaners. Hardware may loosen over time. Periodically check that all connections are tight.