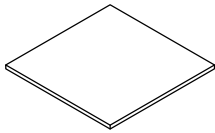


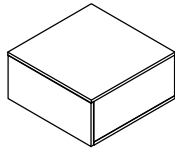
ASSEMBLY INSTRUCTION

E765-04 END TABLE

A Top Panel	B Drawer	C Side Frame - LSF	D Side Frame - RSF
--------------------	-----------------	---------------------------	---------------------------



1PC



1PC

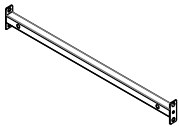


1PC

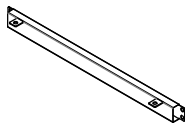


1PC

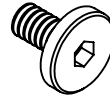
E Cross Bar	F Bottom Cross Bar	G Bolt 1/4"x1/2"xØ15	H Bolt 1/4"x1-1/4"xØ15
--------------------	---------------------------	--------------------------------	----------------------------------



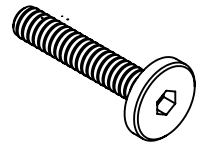
1PC



1PC

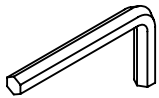


14PCS

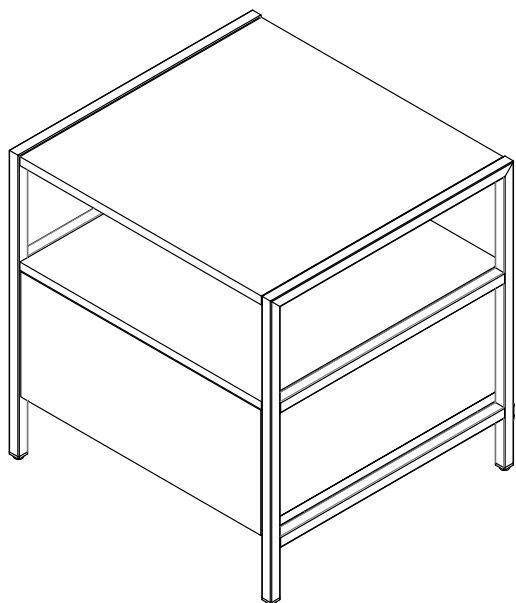


2PCS

I Allen Wrench 1/4"



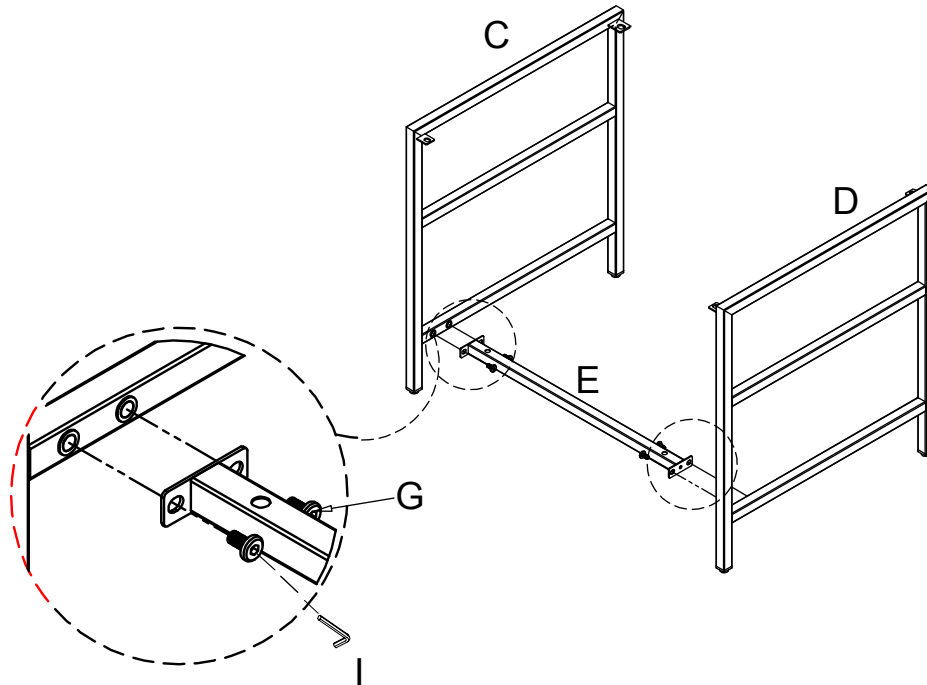
1PC



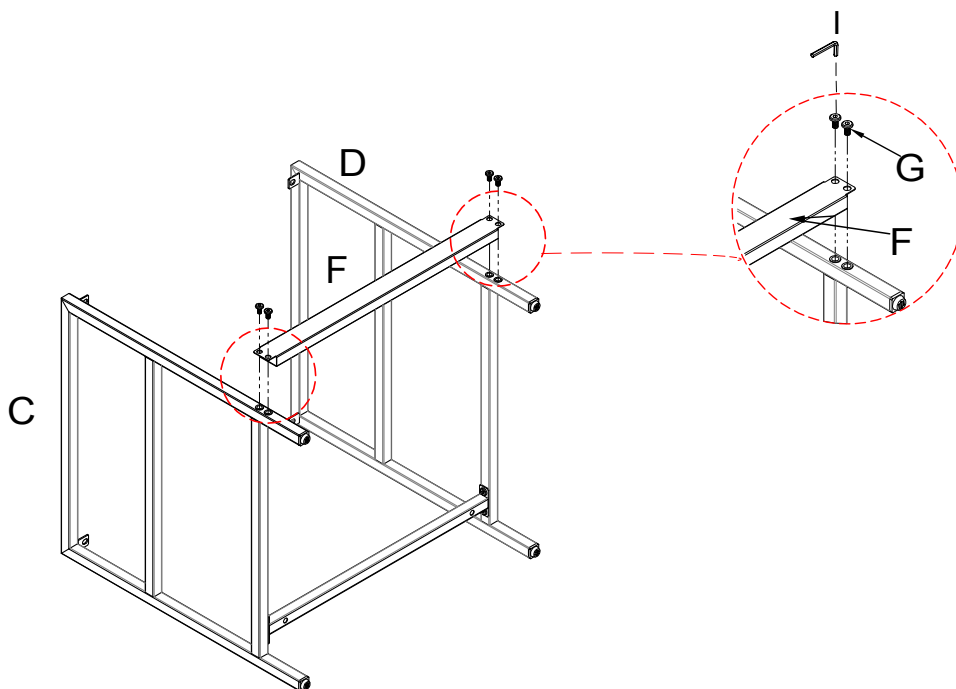
This page lists all the contents included in the box. Please take the time to identify the hardware as well as the individual components to this product. As you unpack and prepare for assembly, place the contents on a carpeted or padded area to protect them from damage.

***Do not tighten screws & bolts until the entire unit is completely assembled.

- 1 Attach Side Frame - LSF (C), Side Frame - RSF (D) to the Cross Bar (E) by using Bolt (G) and Allen Wrench (I) as shown.

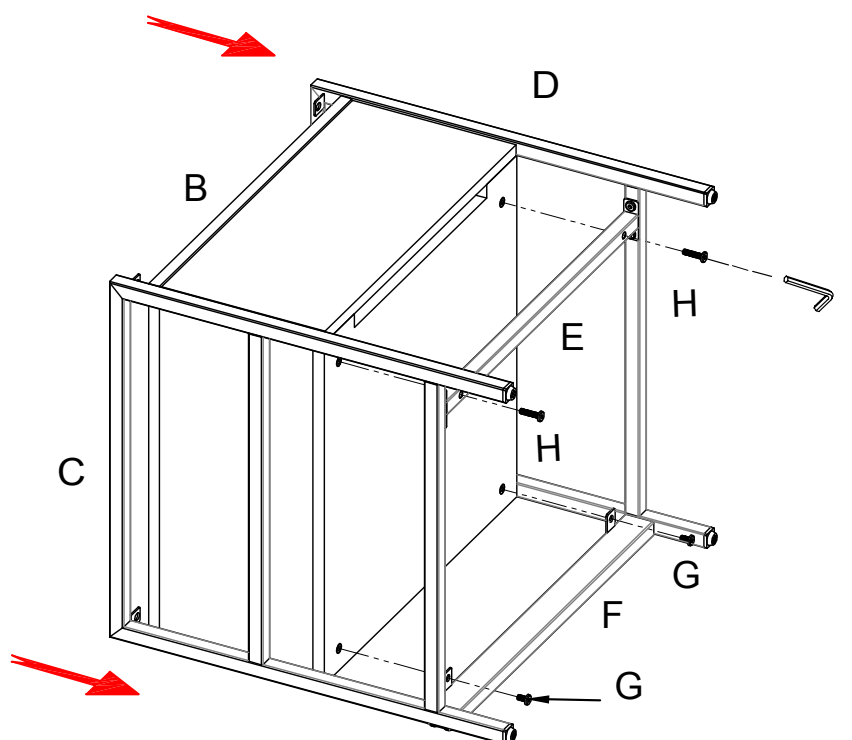


- 2 Attach Bottom Cross Bar (F) to the Side Frame - LSF (C) and Side Frame - RSF (D) by using Bolt (G) and Allen Wrench (I) as shown.

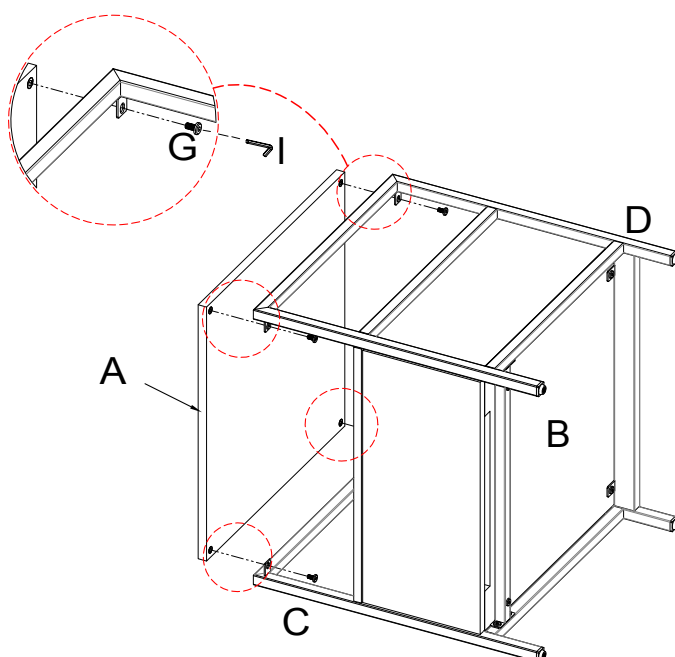


3

Attach Drawer (B) to the metal base by using Bolt (G), Bolt (H) and Allen Wrench (I) as shown.

**4**

Attach Top Panel (A) to the Side Frame - LSF (C) and Side Frame - RSF (D) by using Bolt (G) and Allen Wrench (I) as shown.



Cleaning & Care

Treat surface with care. Surface is resistant to scratches but is not scratch resistant. Clean surfaces with a dry or damp soft cloth. Do not use abrasive cleaners. Hardware may loosen over time. Periodically check that all connections are tight.