









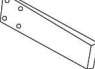
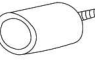
# ASSEMBLY INSTRUCTION

ITEM: SS461-LPH1+APPH+C+APH+RPH1-087

## Jericho sectional sofa

Thank you for purchasing this quality product. Be sure to unpack carefully looking for small parts which may have come loose during shipment.

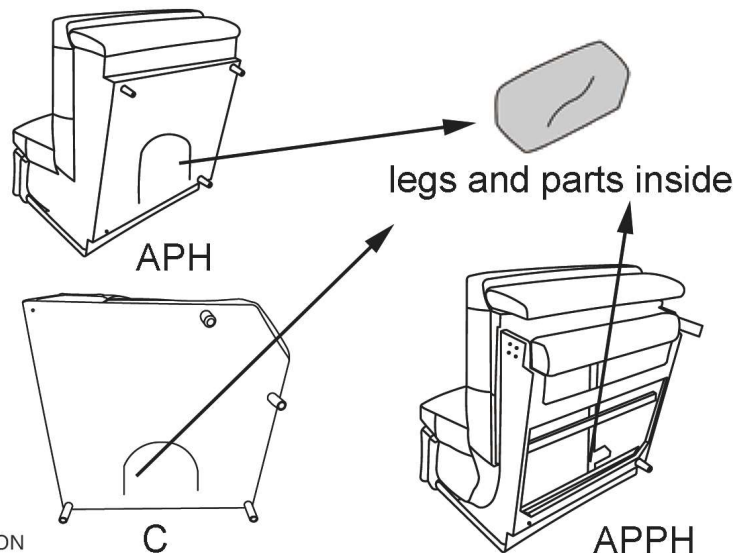
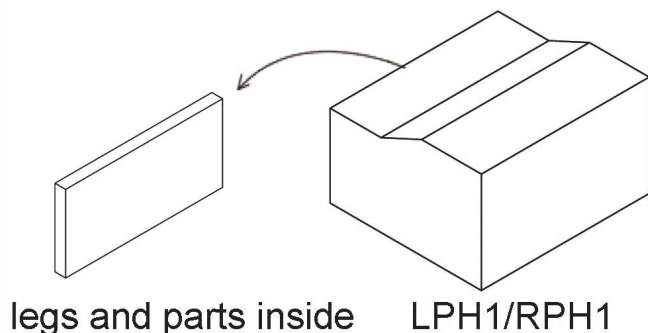
Read all instruction and study the drawing carefully before starting the assembly process .

	Description	Sketch	Quantity
A	M8 bolt		LPH1:4PCS RPH1:4PCS
B	washer		LPH1:4PCS RPH1:4PCS
C	M8 wrench		LPH1:1PC RPH1:1PC
D	front leg		LPH1:1PCS RPH1:1PCS
E	small wood leg		LPH1:3PCS RPH1:3PCS APH:4PCS APPH:2PCS
F	Wall plug transformer		LPH1:1PC RPH1:1PC
G	M6 bolt		APPH:8PCS
H	M6 wrench		APPH:1PC
I	Metal support leg		APPH:2PCS
J	big wood leg		C:5PCS

**Step 1: Take out the foot box from the carton. The foot box contains the feet(D/E) and accessories. For SKU: LPH1, RPH1**

**Open the zipper on the bottom of sofa, take out the sofa legs/other parts.**

**For SKU: APPH, C, APH**



**CAUTION**  
Do not allow children to play on this mechanism furniture or operate the mechanism. Leg rest folds down on closing so that child could possibly be injured. Always leave in an upright and closed position and keep hands feet clear of mechanism. Only the occupant should operate it.

# ASSEMBLY INSTRUCTION

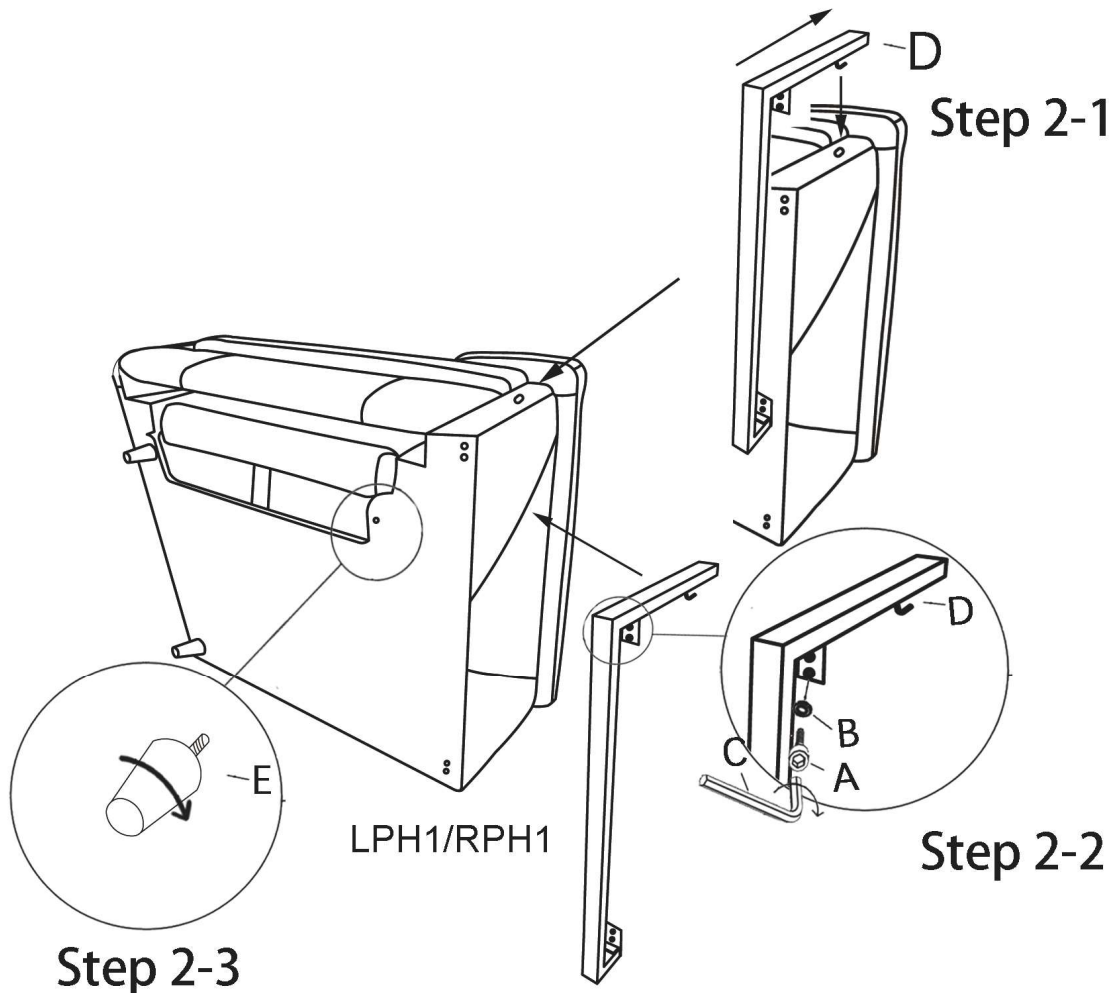
ITEM: SS461-LPH1+APPH+C+APH+RPH1-087

Jericho sectional sofa

Thank you for purchasing this quality product. Be sure to unpack carefully looking for small parts which may have come loose during shipment.

Read all instruction and study the drawing carefully before starting the assembly process .

**Step2-1/Step2-2/Step2-3: Align the hook on the foot (D) with the hole on the sofa and insert it, then push it upwards to lock it. After locking, put the washer (B) over the bolt (A) and align it with the hole at the bottom of the sofa, then lock it with a wrench (C) Finally, align the middle foot (E) with the hole at the bottom of the sofa and tighten it. For SKU: LPH1, RPH1**



**CAUTION**

Do not allow children to play on this mechanism furniture or operate the mechanism. Leg rest folds down on closing so that child could possibly be injured. Always leave in an upright and closed position and keep hands feet clear of mechanism. Only the occupant should operate it.

# ASSEMBLY INSTRUCTION

ITEM: SS461-LPH1+APPH+C+APH+RPH1-087

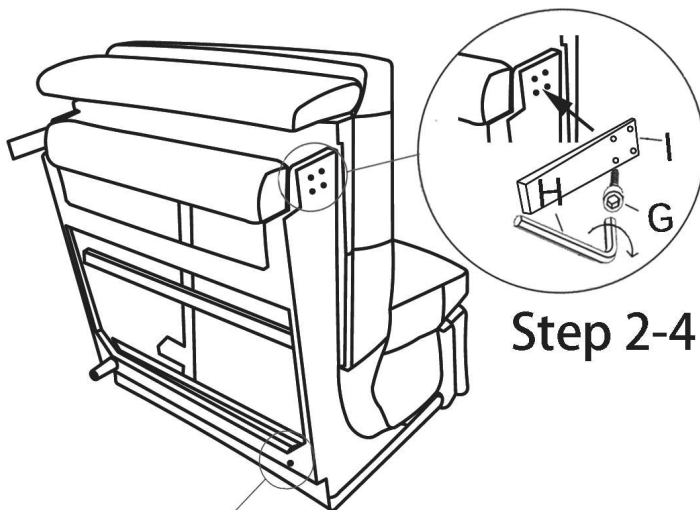
## Jericho sectional sofa

Thank you for purchasing this quality product. Be sure to unpack carefully looking for small parts which may have come loose during shipment.

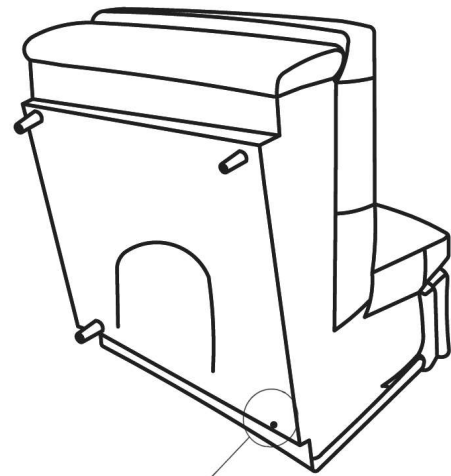
Read all instruction and study the drawing carefully before starting the assembly process .

**Step2-4/ Step2-5:** Take out the metal support leg(I), align the bolt(G) with the hole at the side of the sofa , then lock it with a wrench(H). Finally, align the middle foot(E) with the hole at the bottom of the sofa and tighten it. For SKU: APPH

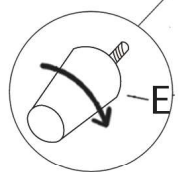
**Step2-6/Step2-7:** Take out the wood leg(E/J), insert the leg into the hole, Use hand to tighten the leg clockwise until secure. For SKU: C/APH



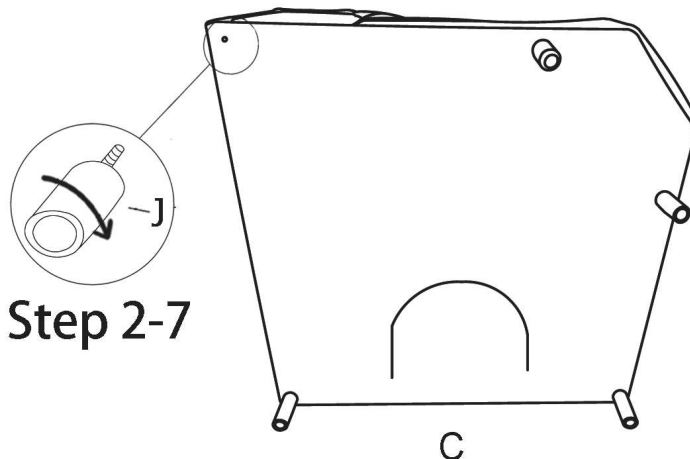
Step 2-4



Step 2-6



Step 2-5



Step 2-7

### CAUTION

Do not allow children to play on this mechanism furniture or operate the mechanism. Leg rest folds down on closing so that child could possibly be injured. Always leave in an upright and closed position and keep hands feet clear of mechanism. Only the occupant should operate it.

# ASSEMBLY INSTRUCTION

ITEM:SS461-LPH1+APPH+C+APH+RPH1-087

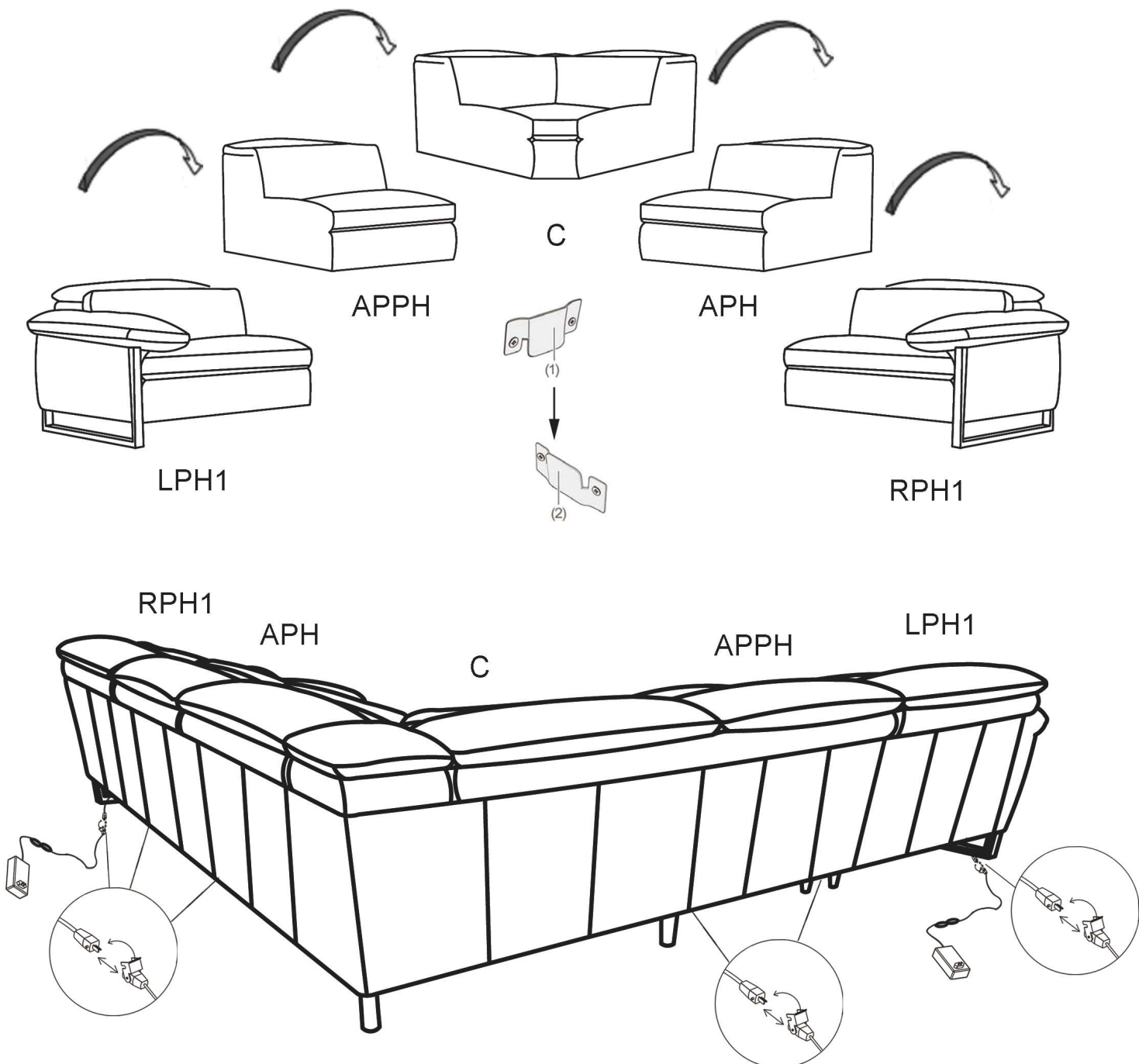
## Jericho sectional sofa

Thank you for purchasing this quality product. Be sure to unpack carefully looking for small parts which may have come loose during shipment.

Read all instruction and study the drawing carefully before starting the assembly process .

**Step 3: Connect the sofa by each item , then connect the power wire, finally attach the wall plug transformer to the matching lead wire found at the bottom rear of the left arm facing. Be sure to close the clip lock to prevent the connection from coming loose during use.**

**Step 4: Only after positioning your product in the area of its intended use should you plug your transformer into a grounded electrical outlet.**



**CAUTION**

Do not allow children to play on this mechanism furniture or operate the mechanism. Leg rest folds down on closing so that child could possibly be injured. Always leave in an upright and closed position and keep hands feet clear of mechanism. Only the occupant should operate it.

# ASSEMBLY INSTRUCTION

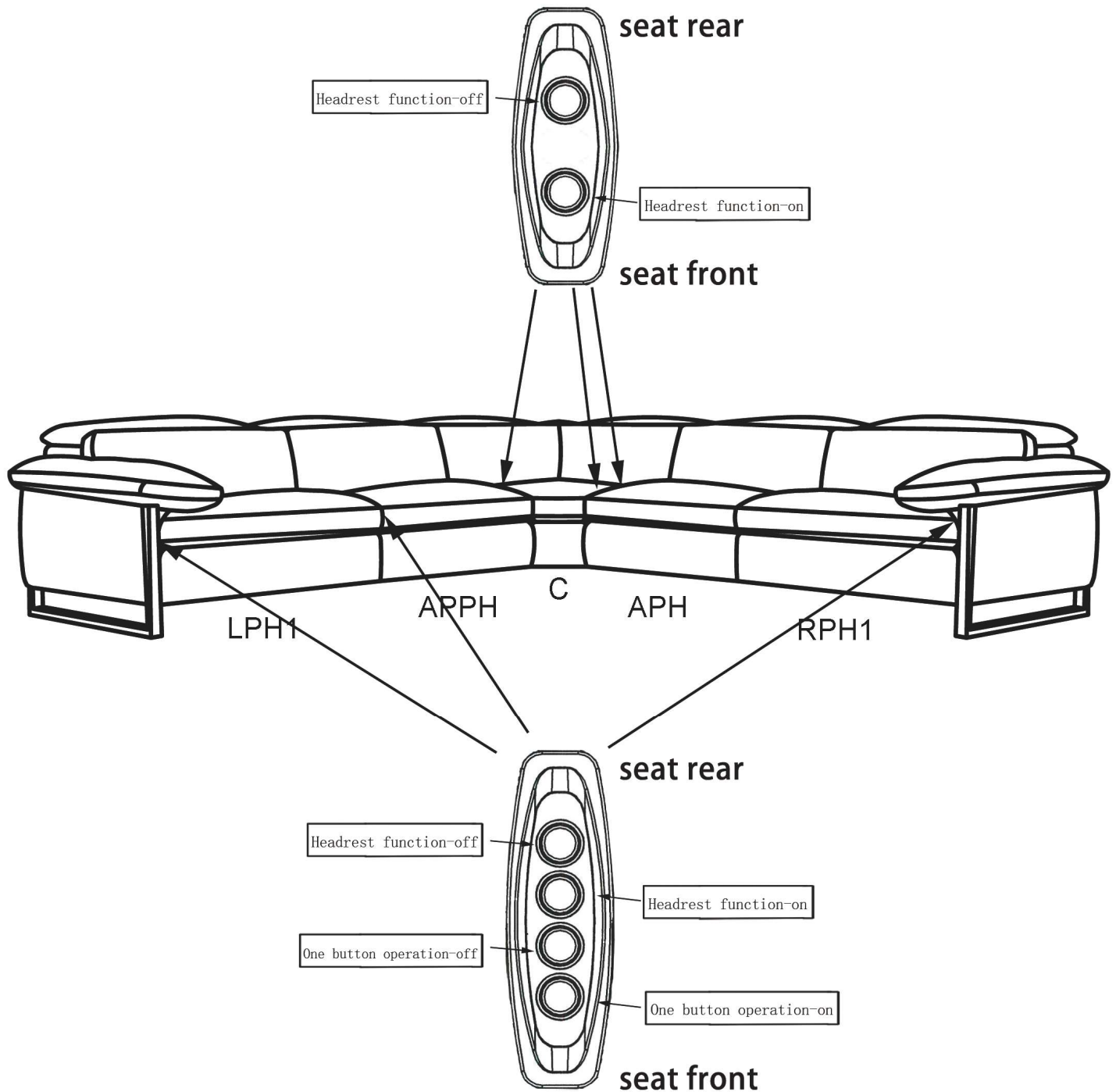
ITEM:SS461-LPH1+APPH+C+APH+RPH1-087

## Jericho sectional sofa

Thank you for purchasing this quality product. Be sure to unpack carefully looking for small parts which may have come loose during shipment.

Read all instruction and study the drawing carefully before starting the assembly process .

### The switch for SKU APH/C



### The switch for SUK: LPH1/APPH/RPH1

**CAUTION**

Do not allow children to play on this mechanism furniture or operate the mechanism. Leg rest folds down on closing so that child could possibly be injured. Always leave in an upright and closed position and keep hands feet clear of mechanism. Only the occupant should operate it.