



Manufactured by:
Backyard Discovery
3305 Airport Drive, Pittsburg, KS 66762
800-856-4445

Basepoint Business Centre: Rivermead Drive, Westlea, Swindon SN5 7EX Phone: 0800-118-2476
J.P. Coenstraat 7, The Bridge, The Hague, 2595 WP, Netherlands Phone: 08005678990

EMORY CORNER OUTDOOR KITCHEN ISLAND - COMBO

MODEL #: 2504202B



WARNING

Cancer and Reproductive Harm
www.P65Warnings.ca.gov



Please visit www.backyarddiscovery.com
For the most up to date assembly manual, to register your product, or to order
replacement parts Para obtener instrucciones en español, visite
www.backyarddiscovery.com



EASY STEP-BY-STEP

3D INTERACTIVE INSTRUCTIONS
DOWNLOAD THE FREE APP



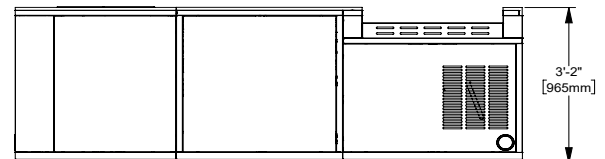
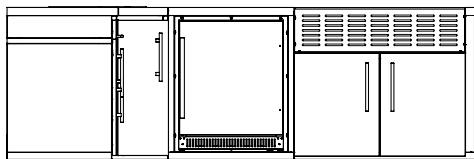
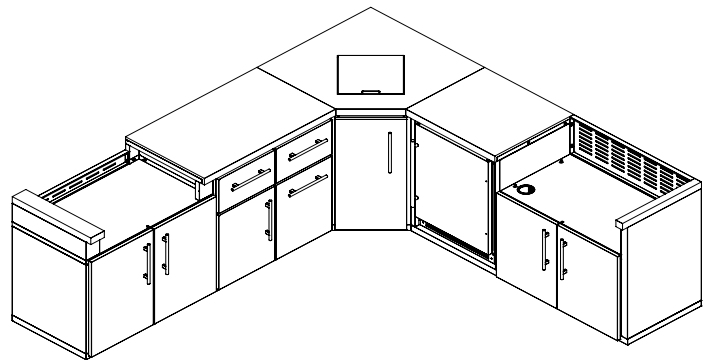
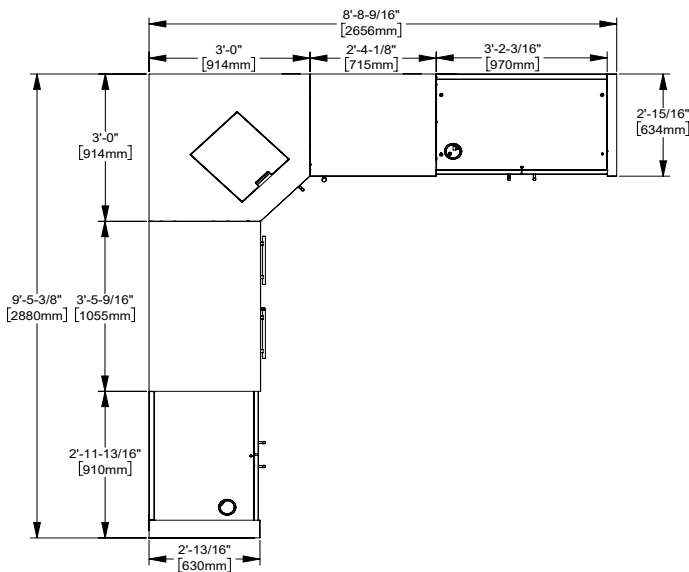
OWNER'S MANUAL - BASIC SETUP DIMENSIONS & ASSEMBLY NOTES

It is critically important that you start with square and level footings or concrete pad to attach your structure.

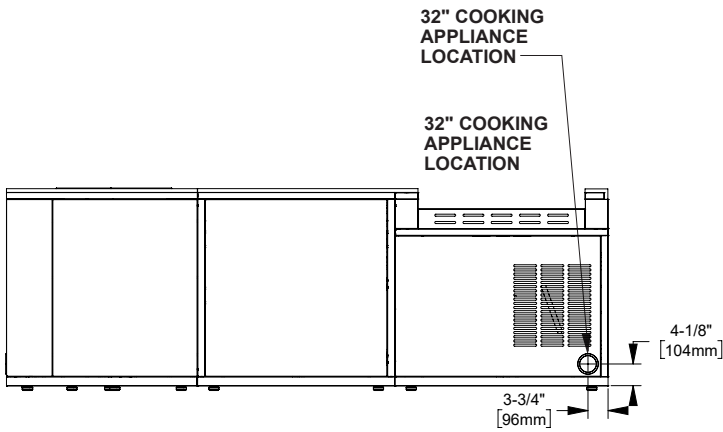
- Pay close attention to the items needed for each step. Make sure you are using the correct hardware for each step. Using incorrect hardware may result in improper assembly
- Remember to double check for underground utilities and overhead electrical lines

Post mounts are provided with your structure which allows you to permanently install your structure to a pre-existing or new wood or concrete surface. See Anchor Instructions for further details and recommendations.

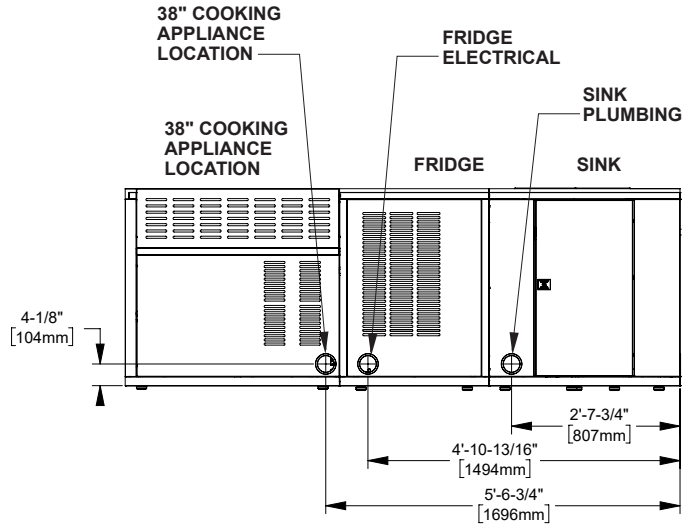
- The hardware to attach the post mounts to the structure is included.
- The hardware to mount the structure permanently to a concrete surface is included.
- The hardware to mount the structure permanently to a wood deck is **NOT** included and will need to be purchased separately. You must ensure there is ample structural support under the deck before permanently attaching.



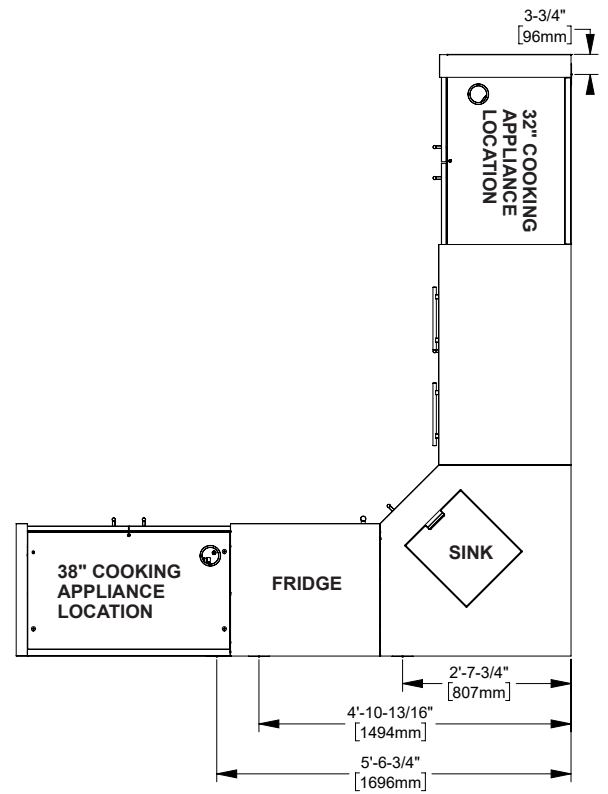
OWNER'S MANUAL - UTILITY LAYOUT



LEFT SIDE VIEW



BACK SIDE VIEW



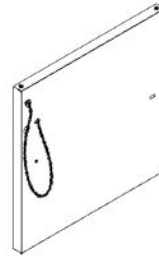
TOP SIDE VIEW

OWNER'S MANUAL - PARTS IDENTIFICATION

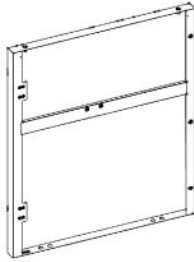
METAL COMPONENTS (NOT TO SCALE)



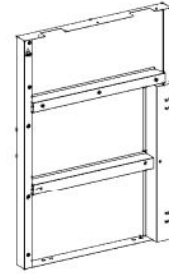
S2 CABINET SIDE PANEL ASSEMBLY M - A4M03545
(x1) 26 1/2"x23 3/8"x1 3/8" (35x593x673.5)



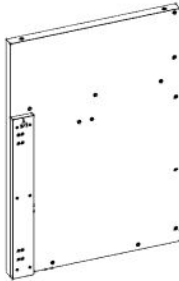
S6 CABINET SIDE PANEL ASSEMBLY M - A4M03586
(x1) 23 3/8"x22 7/8"x1 3/8" (35x581x593)



S14 CABINET SIDE PANEL ASSEMBLY - A4M04536
(x1) 26 9/16"x23 3/8"x1 3/8" (35x594x675)



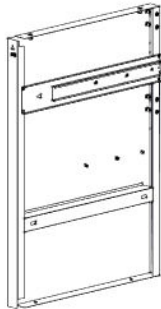
S19 CABINET SIDE PANEL ASSEMBLY - A4M04667
(x1) 33 7/16"x23 3/8"x2 13/16" (71.00x594x849.00)



S20 CABINET SIDE PANEL ASSEMBLY R - A4M04669
(x1) 33 3/8"x23 3/8"x2 1/16" (53.00x594x848.20)



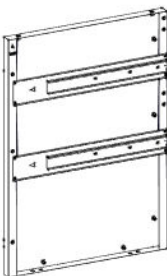
S21 CABINET SIDE PANEL ASSEMBLY L - A4M04670
(x1) 33 7/16"x23 3/8"x1 3/8" (35.00x594x849.7)



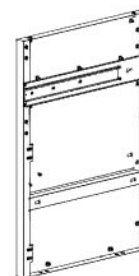
S24 CABINET SIDE PANEL ASSEMBLY M - A4M04705
(x1) 33 3/8"x23 5/16"x2 3/16" (56x593x847)



S34 CABINET CORNER PANEL ASSEMBLY - A4M04850
(x1) 33 3/8"x8 11/16"x8 11/16" (220x220x848)



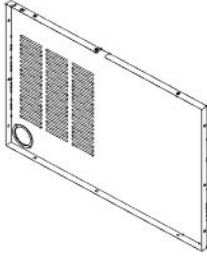
S35 CABINET SIDE PANEL ASSEMBLY R - A4M04851
(x1) 33 3/8"x23 3/8"x1 15/16" (49.00x594x848.20)



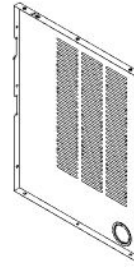
S36 CABINET SIDE PANEL ASSEMBLY L - A4M04852
(x1) 33 3/8"x23 3/8"x1 3/8" (35.00x594.00x848.20)

OWNER'S MANUAL - PARTS IDENTIFICATION

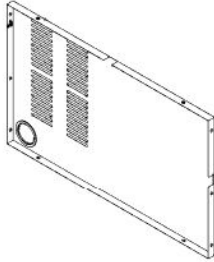
METAL COMPONENTS (NOT TO SCALE)



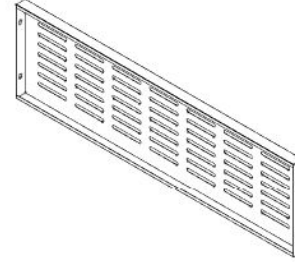
G1 CABINET BACK PANEL ASSEMBLY - A4M03542
(x1) 38 3/4"x26 1/2"x1 3/16" (30x673.5x984)



G4 CABINET BACK PANEL ASSEMBLY - A4M03599
(x1) 25 5/16"x33 3/8"x1 3/16" (30x847.2x643)



G10 CABINET BACK PANEL ASSEMBLY - A4M03055
(x1) 1 3/16"x22 7/8"x38 3/16" (30x581x970)



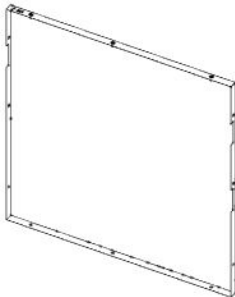
G11 VENTILATION PANEL - A4M03056
(x1) 1 5/16"x11 3/16"x38 3/16" (33x284x970)



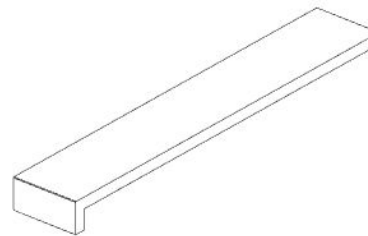
G13 CABINET BACK PANEL ASSEMBLY - A4M04715
(x1) 33 3/8"x8 1/2"x1 3/16" (30.00x215.0x847)



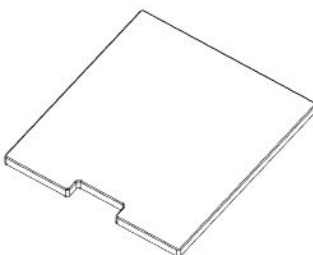
G14 CABINET BACK PANEL ASSEMBLY - A4M04716
(x1) 27 5/16"x33 3/8"x1 3/16" (30x847.2x693)



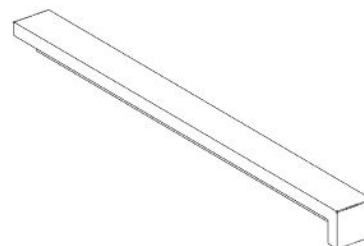
G15 CABINET BACK PANEL ASSEMBLY - A4M04707
(x1) 34 5/16"x33 3/8"x1 3/16" (30x847.2x1049)



M1 COUNTERTOP - A4M05965
(x1) 24 13/16"x4 5/16"x1 15/16" (50x109x630)



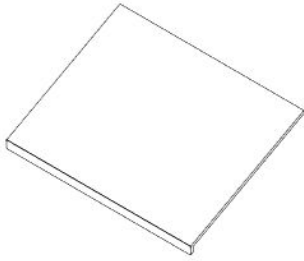
M5 SINK COVER COUNTERTOP - A4M05949
(x1) 11/16"x14 3/4"x16 5/16" (18x375x415)



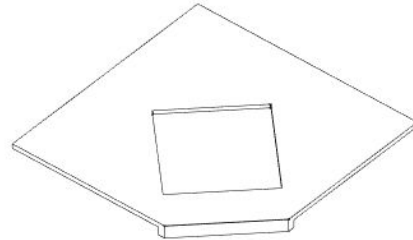
M11 COUNTERTOP - A4M05952
(x1) 24 15/16"x2 1/16"x11/16" (18.00x53.00x634.00)

OWNER'S MANUAL - PARTS IDENTIFICATION

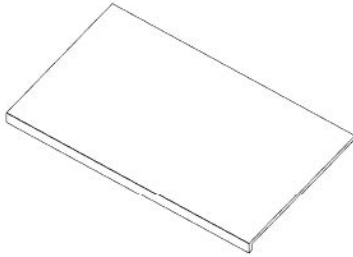
METAL COMPONENTS (NOT TO SCALE)



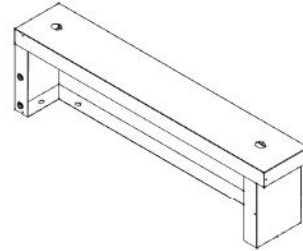
M13 COUNTERTOP - A4M05953
(x1) 28 1/8"x24 15/16"x1 15/16" (50x634x715)



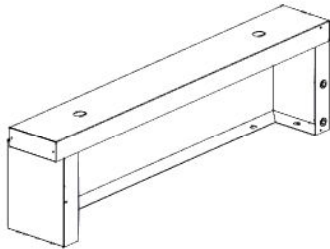
M14 COUNTERTOP - A4M05954
(x1) 36"x36"x1 15/16" (50x914x914)



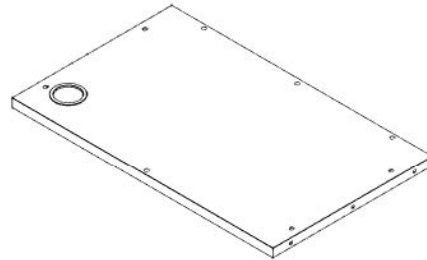
M17 COUNTERTOP - A4M05961
(x1) 41 9/16"x24 15/16"x1 15/16" (50x634x1055)



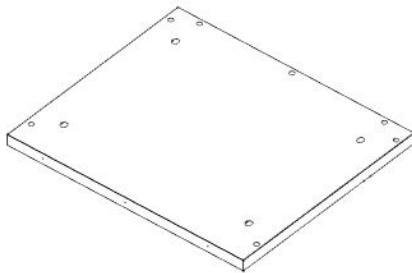
T3 CABINET COUNTERTOP PANEL ASSEMBLY R - A4M03551
(x1) 612x4 5/16"x6 3/4" (109x172.2x612)



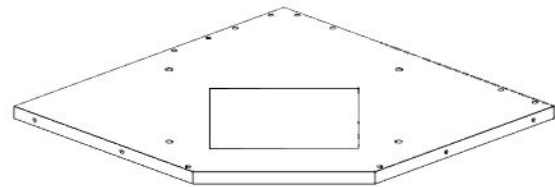
T5 CABINET COUNTERTOP PANEL ASSEMBLY L - A4M04537
(x1) 24 1/8"x4 5/16"x6 3/4" (109x172.2x612)



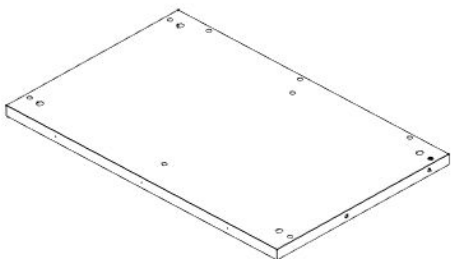
T13 TABLETOP ASSEMBLY - A4M04668
(x1) 1 1/4"x23 3/8"x38 3/16" (32x594x970)



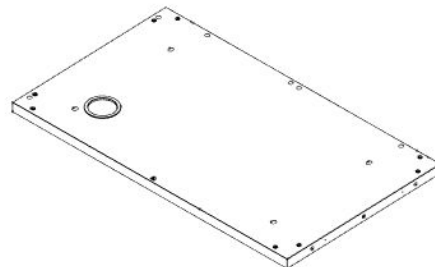
T14 CABINET TABLETOP PANEL ASSEMBLY - A4M04701
(x1) 28 1/8"x24 1/8"x1 1/4" (32x612x715)



T15 CABINET TABLETOP FRAME - A4M04713
(x1) 36"x914.00x1 1/4" (32x914x914)



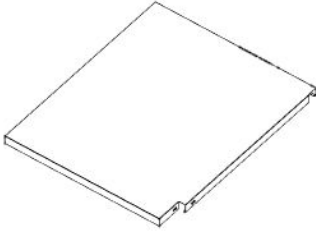
T16 CABINET TABLETOP ASSEMBLY - A4M04708
(x1) 37 3/16"x24 1/8"x1 1/4" (32x612x944)



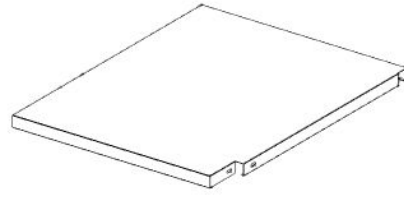
T18 CABINET TABLETOP PANEL ASSEMBLY - A4M04855
(x1) 40 3/16"x23 3/8"x1 1/4" (32x594x1020)

OWNER'S MANUAL - PARTS IDENTIFICATION

METAL COMPONENTS (NOT TO SCALE)



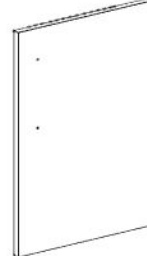
L1 CABINET SHELF - A4M03548
(x1) 23 1/4"x19 5/16"x1" (25.00x490.50x591.00)



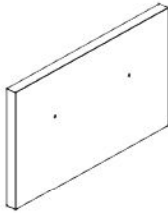
L2 CABINET SHELF ASSEMBLY - A4M03589
(x1) 23 1/4"x18 3/8"x1" (25.00x467.00x591.00)



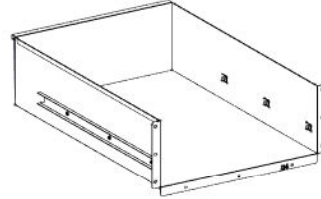
D1 CABINET DOOR PANEL ASSEMBLY L - A4M03546
(x1) 28 7/16"x19 5/8"x15/16" (24x498x722.5)



D2 CABINET DOOR PANEL ASSEMBLY R - A4M03555
(x1) 28 7/16"x19 5/8"x15/16" (24x498x722.5)



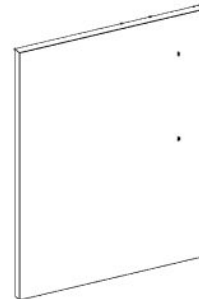
D3 CABINET DRAWER PANEL ASSEMBLY - A4M03569
(x2) 17 3/4"x10 1/4"x15/16" (24x260x451)



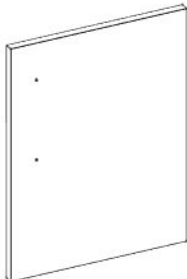
D4 CABINET DRAWER BODY ASSEMBLY - A4M03571
(x2) 22 1/4"x16 1/16"x6 7/16" (164.2x408.4x565.4)



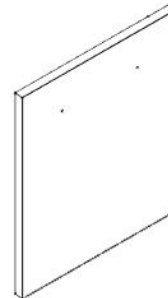
D6 CABINET DOOR ASSEMBLY L - A4M03577
(x1) 22 1/4"x17 13/16"x15/16" (24x452x565)



D7 CABINET DOOR ASSEMBLY L - A4M03587
(x1) 24 13/16"x19 1/16"x15/16" (24x484.15x630)



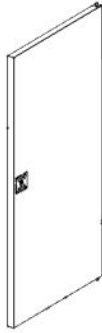
D8 CABINET DOOR ASSEMBLY R - A4M03590
(x1) 24 13/16"x19 1/16"x15/16" (24x484.15x630)



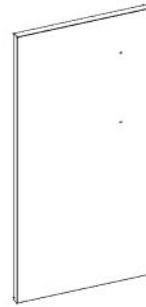
D9 TRASH CAN PANEL ASSEMBLY - A4M03608
(x1) 22 1/4"x17 3/4"x15/16" (24.00x451.00x565.00)

OWNER'S MANUAL - PARTS IDENTIFICATION

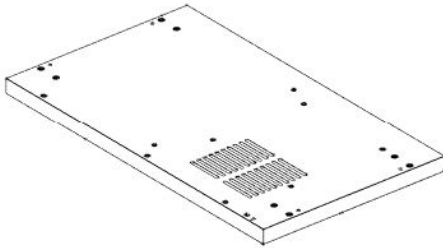
METAL COMPONENTS (NOT TO SCALE)



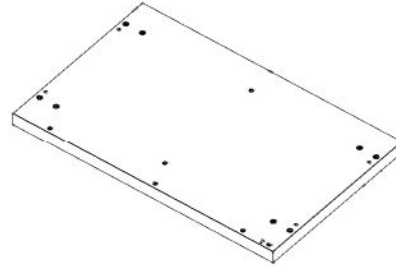
D17 CABINET DOOR ASSEMBLY - A4M03682
(x1) 33 7/8"x18 1/4"x15/16" (23.20x463x860.40)



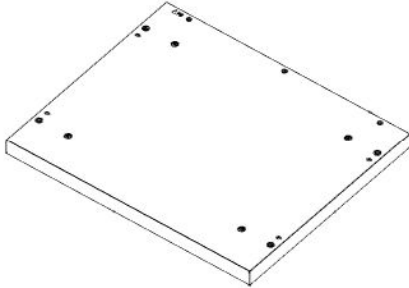
D23 CABINET FRONT DOOR ASSEMBLY - A4M04720
(x1) 33 1/16"x16 1/16"x15/16" (24x408x840)



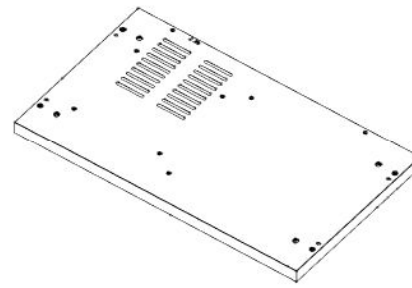
F1 CABINET FLOOR PANEL ASSEMBLY - A4M03538
(x1) 40 3/16"x23 3/8"x2 5/8" (66x594x1020)



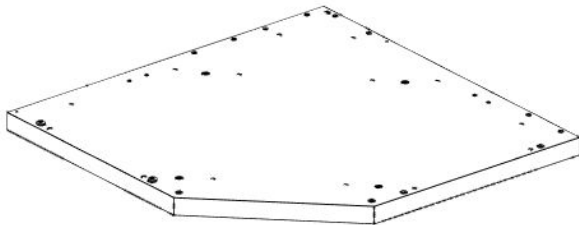
F3 CABINET FLOOR PANEL ASSEMBLY - A4M03560
(x1) 37 3/16"x23 3/8"x2 5/8" (66x594x944)



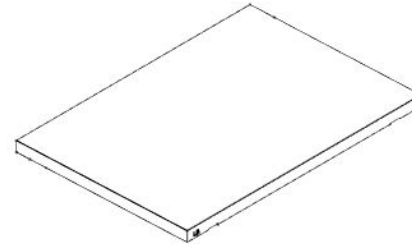
F4 CABINET FLOOR PANEL ASSEMBLY - A4M03595
(x1) 28 1/8"x23 3/8"x2 5/8" (66x594x715)



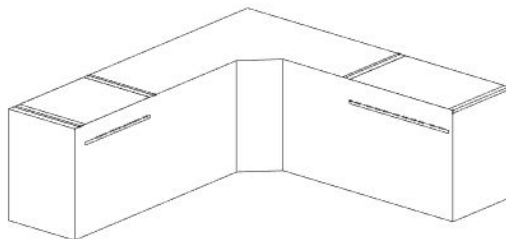
F8 CABINET FLOOR PANEL ASSEMBLY - A4M04664
(x1) 2 5/8"x23 3/8"x40 3/8" (66x594x1025)



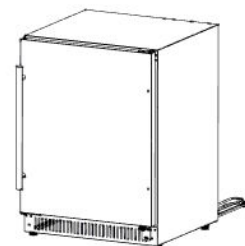
F9 CABINET FLOOR PANEL ASSEMBLY - A4M04702
(x1) 36"x36"x2 5/8" (66x914x914)



L8 SHELF - A4M05644
(x1) 23 1/4"x16 1/4"x1" (25x412x591)



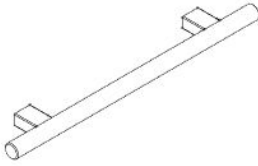
A6P01440 COVER
(x1)



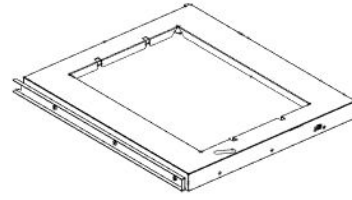
9240162 OUTDOOR KITCHEN FRIDGE - RIGHT OPEN
(x1)

OWNER'S MANUAL - PARTS IDENTIFICATION

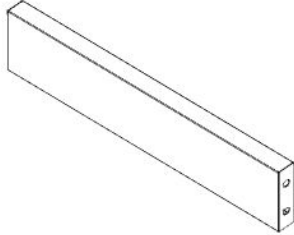
METAL COMPONENTS (NOT TO SCALE)



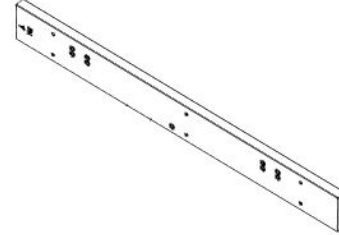
H2 STAINLESS STEEL HANDLE - A4M03024
(x9) 5/8"x1 9/16"x11 13/16" (16x40x300)



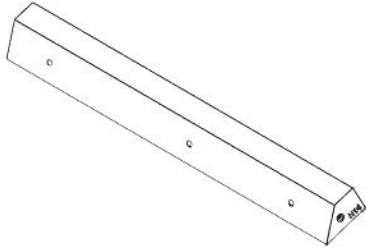
H3 TRASH CAN BRACKET ASSEMBLY - A4M03610
(x1) 18 1/16"x15 13/16"x1 3/8" (35.00x401.60x458.00)



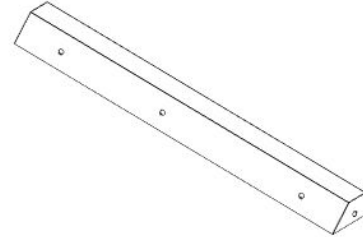
H4 CABINET HORIZONTAL BEAM ASSEMBLY - A4M03575
(x4) 16 1/4"x3 3/8"x1" (25x85x413)



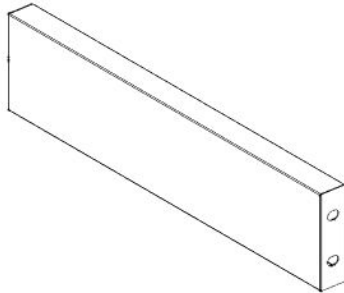
H5 CABINET HINGE CHANNEL ASSEMBLY - A4M03558
(x1) 26 5/8"x2 15/16"x11/16" (18x74.80x676)



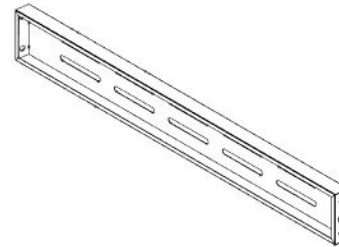
H14 CABINET FRONT DOOR BRACKET ASSEMBLY - A4M04717
(x1) 33 3/8"x3 1/4"x1 3/4" (45.00x83.04x848.20)



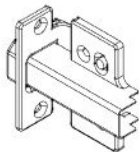
H15 CABINET FRONT DOOR HINGE BRACKET ASSEMBLY - A4M04718
(x1) 33 3/8"x3 1/4"x1 3/4" (45.00x83.04x848.20)



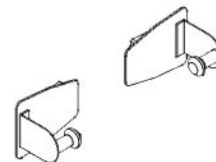
H16 CABINET HORIZONTAL BEAM ASSEMBLY - A4M04719
(x1) 14 5/8"x3 3/8"x1" (25x85x372)



O8 VENTILATION PANEL - A4M03078
(x1) 1 3/16"x3 3/4"x31 7/16" (30x95x798)



A4M03025 FULL OVERLAY HINGE
(x12)



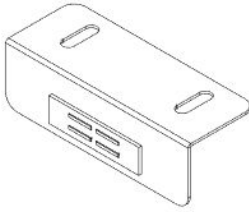
A4M02290 MAGNETIC PAPER TOWEL HOLDER
(x1)



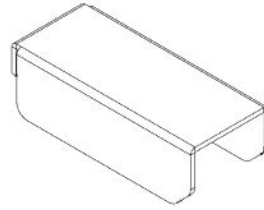
A4M03151 GARDEN HOSE ADAPTER
(x1)

OWNER'S MANUAL - PARTS IDENTIFICATION

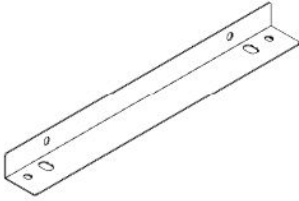
METAL COMPONENTS (NOT TO SCALE)



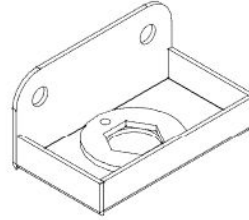
A2 MAGNET BRACKET - A4M03026
(x7) 1"x1 1/4"x3 1/8" (25x31x80)



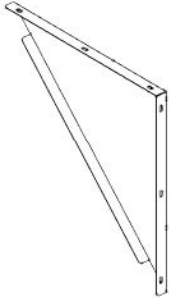
A5 SHELF BRACKET - A4M03141
(x8) 5/8"x7/8"x2 1/16" (16x22x53)



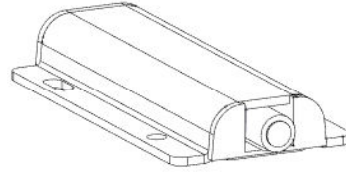
A6 ANGLED BRACKET - A4M03053
(x4) 1 3/8"x1 15/16"x17 1/8" (35x50x435)



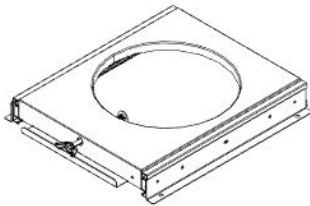
A9 HOSE BRACKET ASSEMBLY - A4M03060
(x2) 1 1/4"x1 7/16"x2 9/16" (31.5x36.5x65)



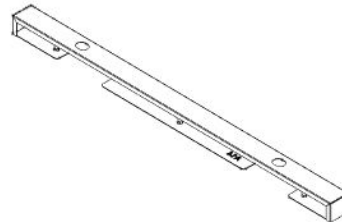
A11 TRIANGLE PANEL - A4M03086
(x2) 13/16"x13 3/4"x13 3/4" (20x350x350)



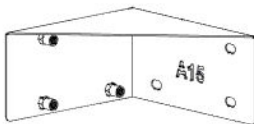
A12 DOOR STOPPER - A4M04128
(x1) 3 11/16"x1 3/4"x1/2" (13.3x45x94)



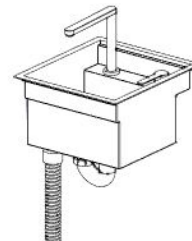
A13 GAS TANK HOLDER ASSEMBLY - A4M03047
(x2) 1 15/16"x12 7/8"x14 3/4" (49x327x374)



A14 COUNTERTOP BRACKET ASSEMBLY - A4M04846
(x1) 24 3/16"x1 3/8"x1 1/4" (31.00x35.00x614.00)



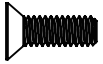
A15 DOOR STOPPER BRACKET ASSEMBLY - A4M04480
(x1) 3 15/16"x3 3/4"x1 15/16" (50x95x100)



A16 SINK ASSEMBLY - A4M03143
(x1) 15 1/8"x15 5/16"x16 7/8" (384x389x429)

OWNER'S MANUAL - PARTS IDENTIFICATION

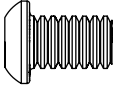
HARDWARE COMPONENTS



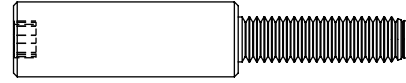
H101185 | PHILLIPS FLAT HEAD
(x72) | 8-32x.5



H101287 | PAN HEAD SCREW
(x6) | 8-32x1" SS



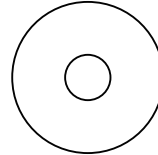
H101292 | TORX PAN HEAD
(x24) | 1/4-20x13/32"



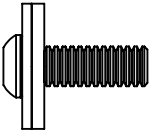
H101103 | TORX SOCKET SCREW
(x37) | 1/4-20



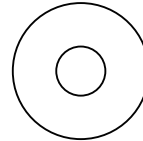
H101289 | PAN HEAD SCREW
(x64) | 8-32x1/2" SS



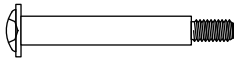
H101053 | STEEL WASHER
(x16) | 6x20



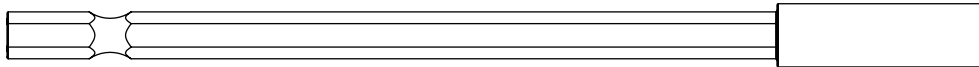
H101202 | TORX PAN HEAD
(x153) | 1/4-20x3/4 ASSY



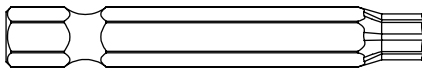
H101054 | SEALANT WASHER
(x16) | 6.5x18



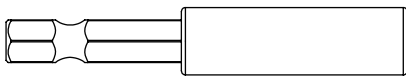
H101307 | SHOULDER BOLT
(x18) | 8-32x30mm SS



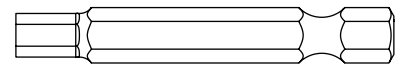
H101278 | MAGNETIC DRIVER EXTENSION
(x1) | 6"



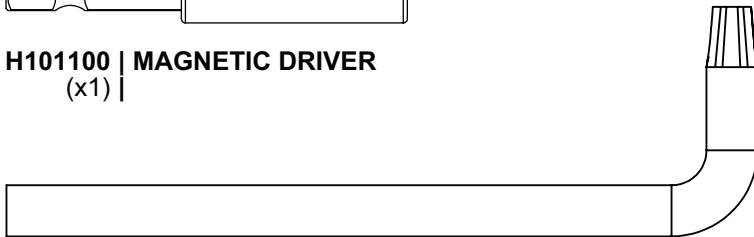
H100147 | TORX BIT
(x1) | T-30



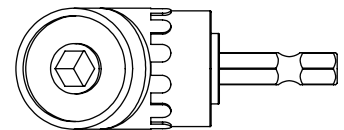
H101100 | MAGNETIC DRIVER
(x1) |



H101294 | HEX DRIVER
(x1) |



H100114 | TORX BIT
(x1) | T-30



**H101114 | RIGHT ANGLE
DRILL ADAPTER**
(x1) |

PRE-ASSEMBLY STEP 1 - SORTING PARTS

It is critical for ease of assembly that you take the time to sort and organize the parts and hardware.

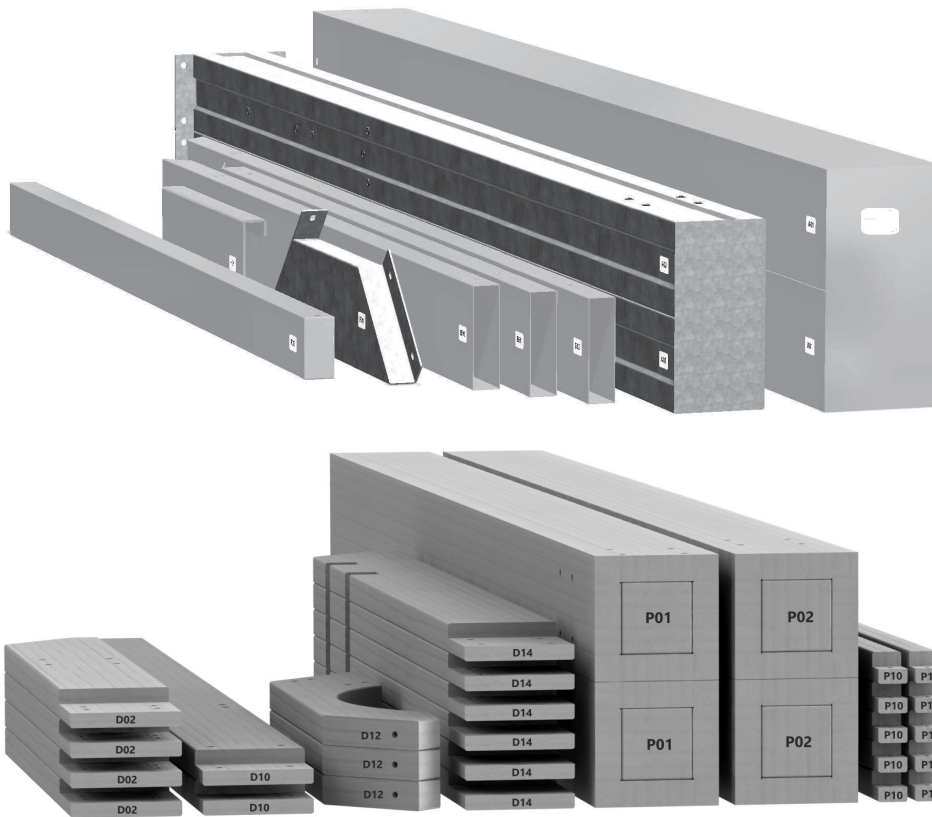
METAL PARTS:

- Organize metal parts by the three-digit, alpha-numeric number stamped on each bag (ex. P01).
- If there are multiple parts with the same stamped number, stack those pieces together.
- Stamps can be found on the flat surface of the parts or on the end of the parts.
- Allow yourself plenty of room - the parts can take up a significant amount of space.

WOOD PARTS:

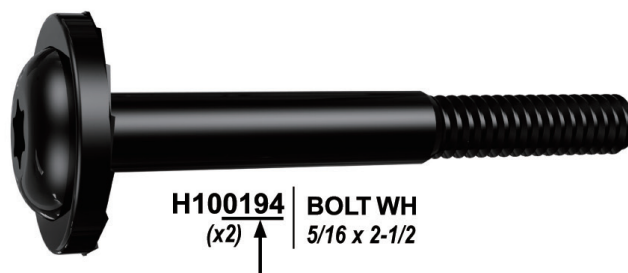
- Organize wood parts by the three-digit, alpha-numeric number stamped on each board (ex. P01).
- If there are multiple boards with the same stamped number, stack those pieces together.
- Stamps can be found on the flat surface of the boards or on the end of the boards.
- Allow yourself plenty of room - the wood pieces can take up a significant amount of space.

NOTE: CARTONS ARE NOT ORGANIZED BY PART OR STEP NUMBER.



HARDWARE PARTS:

- We recommend that you have a separate table to organize the hardware.
- Hardware bags are printed with a seven-digit, alpha-numeric part number.
- You can organize your hardware by part number or group by hardware type (e.g. bolts, nuts, etc.).
- During assembly you only need to reference the last four digits of the number.



PRE-ASSEMBLY STEP 2 - TOOLS REQUIRED



Cordless Drill or
Electric Drill



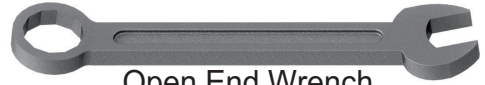
Drill Attachments:
Phillips Head



1/8", 3/16", 3/8" &
7/16" Drill Bits



Phillips Screw Driver



Open End Wrench
7/16"



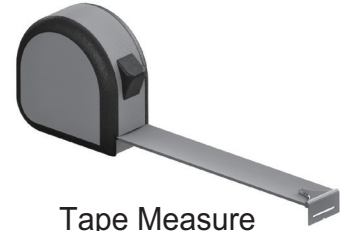
3/8" Drive Ratchet, 1/2" &
7/16" STD Sockets 1/2" & 7/16"
Deep Sockets



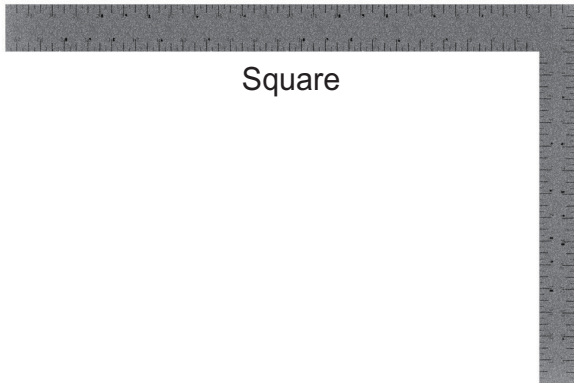
Claw Hammer



Rubber Mallet -
Optional



Tape Measure



Square

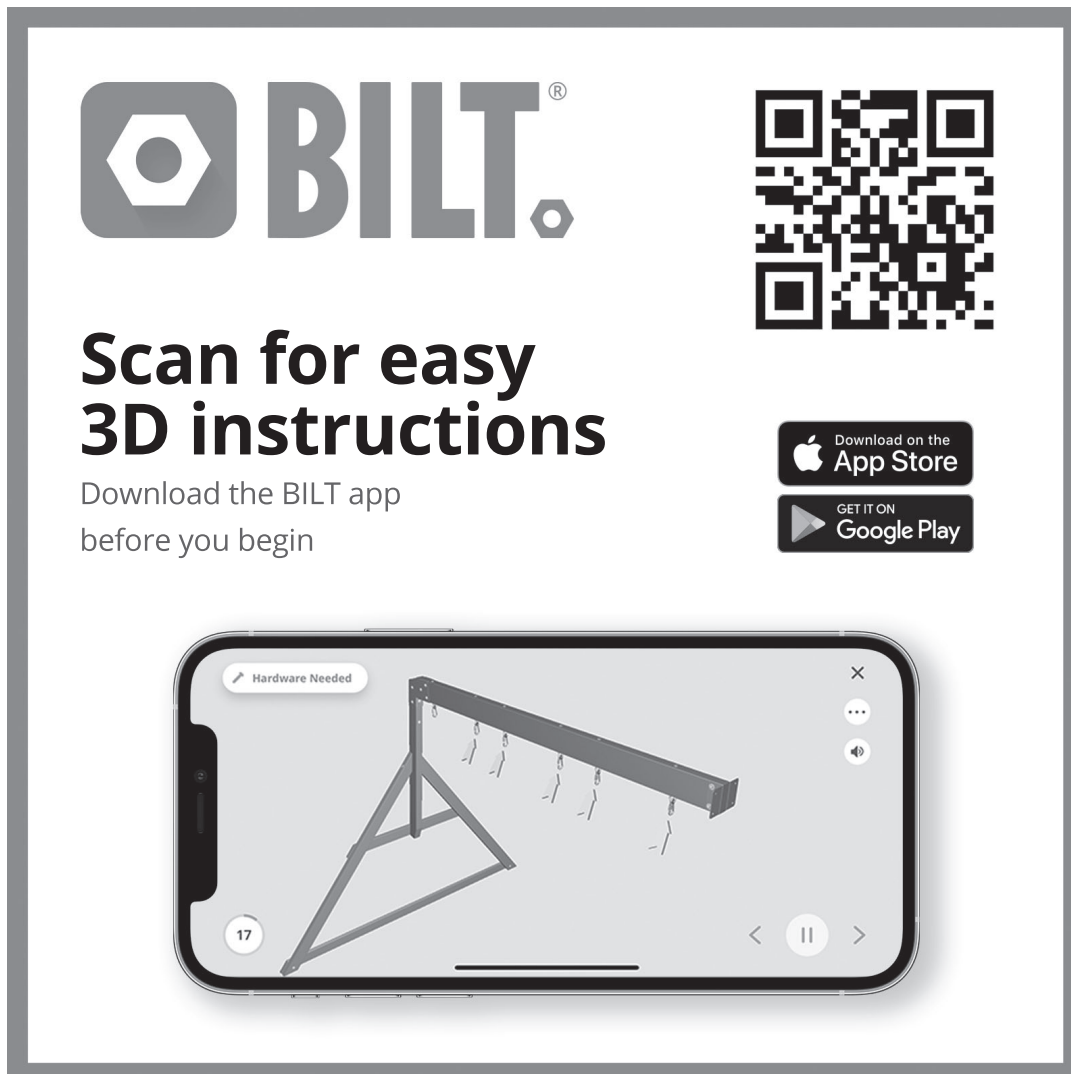


Level 24"

PRE-ASSEMBLY STEP 3 - CHOOSE YOUR ASSEMBLY METHOD

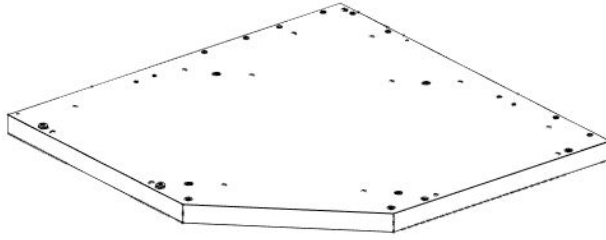
There are several types of assembly instructions available to you.

1. Printed Assembly Manual included with your set
2. BILT APP - 3D interactive instructions
3. Combination of the Printed Manual and BILT APP (Note: Step numbers can differ between the two methods)



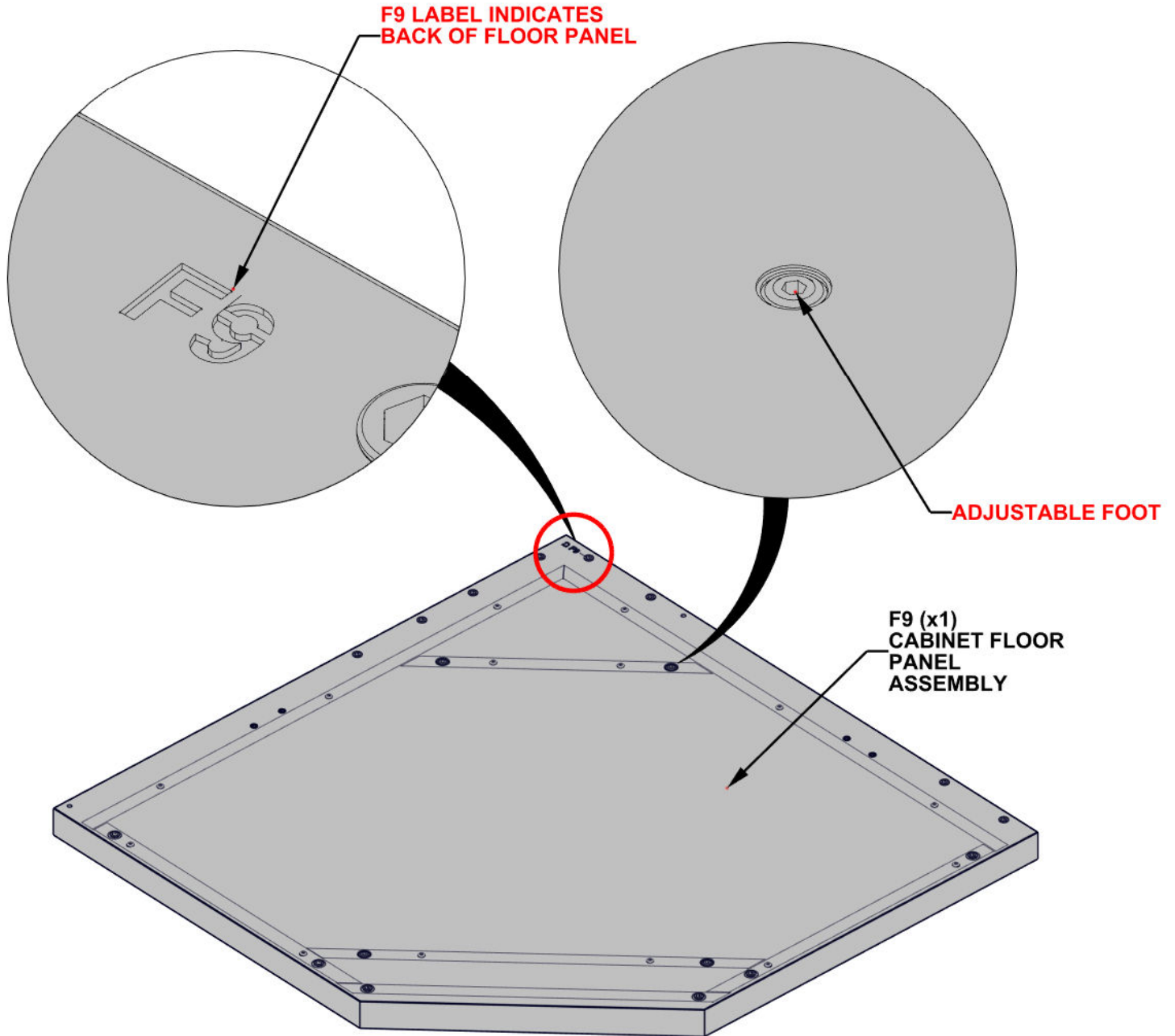
The graphic is a rectangular frame containing the BILT logo (a hexagon with a dot inside) and the word "BILT." with a registered trademark symbol. To the right is a large QR code. Below the logo is the text "Scan for easy 3D instructions" and "Download the BILT app before you begin". To the right of this text are two buttons: "Download on the App Store" and "GET IT ON Google Play". At the bottom is a smartphone displaying a 3D assembly instruction for a metal frame, with a "Hardware Needed" label, a page number "17", and navigation icons.

STEP 1A - CABINET FLOOR PANEL ASSEMBLY

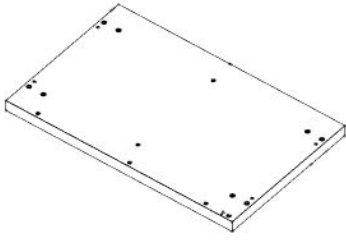


F9 CABINET FLOOR PANEL ASSEMBLY - A4M04702
(x1) 36"x36"x2 5/8" (66x914x914)

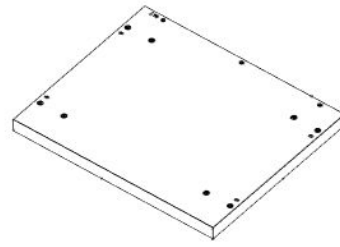
- POSITION CABINET FLOOR PANEL IN THE PROXIMITY OF WHERE YOUR KITCHEN BAR WILL BE.
- EACH FLOOR PANEL HAS FACTORY INSTALLED ADJUSTABLE FEET. USE PROVIDED HEX DRIVER TO ADJUST EACH FOOT UNTIL PANEL IS LEVEL.



STEP 1B - CABINET FLOOR PANEL ASSEMBLY

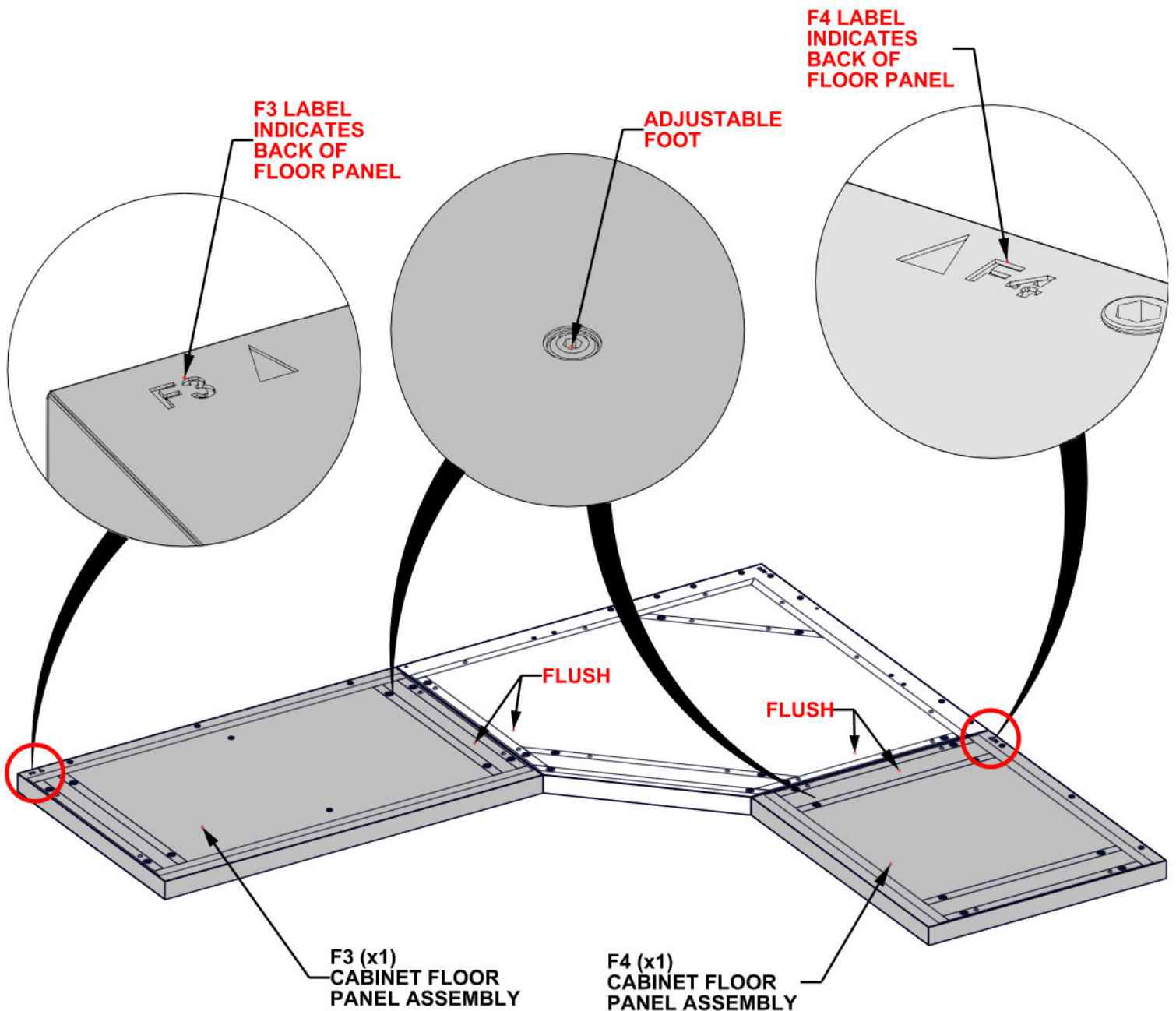


F3 CABINET FLOOR PANEL ASSEMBLY - A4M03560
(x1) 37 3/16"x23 3/8"x2 5/8" (66x594x944)

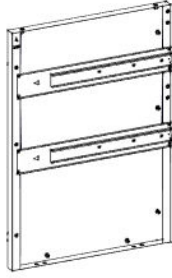


F4 CABINET FLOOR PANEL ASSEMBLY - A4M03595
(x1) 28 1/8"x23 3/8"x2 5/8" (66x594x715)

- POSITION CABINET FLOOR PANELS (F3/F4) AS SHOWN BELOW .
- EACH FLOOR PANEL HAS FACTORY INSTALLED ADJUSTABLE FEET. USE PROVIDED HEX DRIVER TO ADJUST EACH FOOT UNTIL PANEL IS LEVEL.
- **FLUSH ALL SIDES OF FLOOR PANELS.**



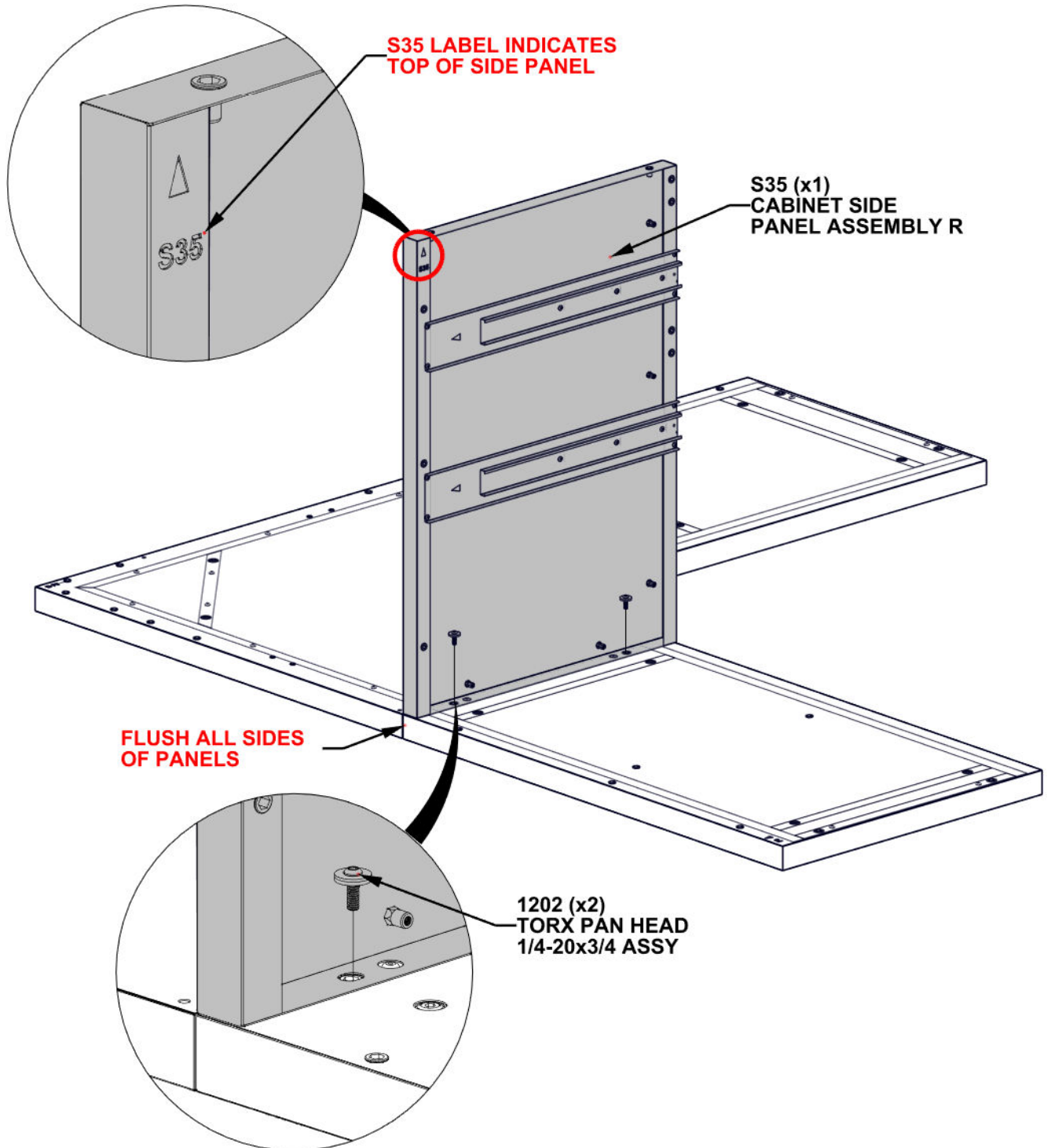
STEP 2 - SINK CABINET ASSEMBLY



Qty	PartNo	Description
2	H101202	TORX PAN HEAD 1/4-20x3/4 ASSY

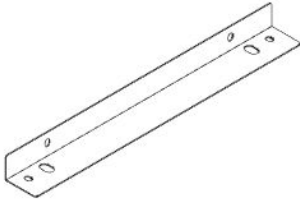
S35 CABINET SIDE PANEL ASSEMBLY R - A4M04851
(x1) 33 3/8"x23 3/8"x1 15/16" (49.00x594x848.20)

- POSITION CABINET SIDE PANEL AS SHOWN BELOW.
- FLUSH CABINET SIDE PANEL WITH CABINET FLOOR PANEL.

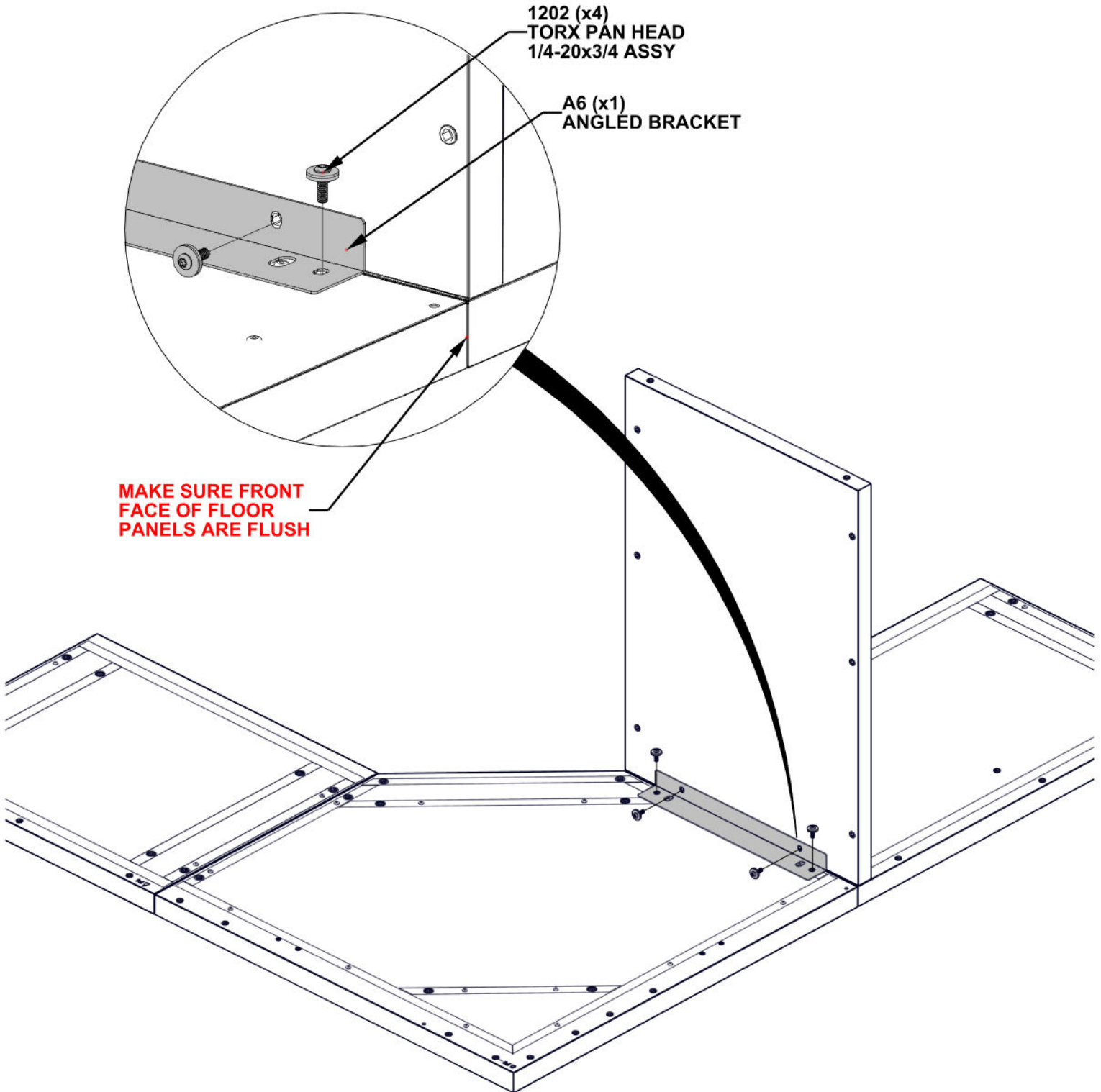


STEP 3 - SINK CABINET ASSEMBLY

Qty	PartNo	Description
4	H101202	TORX PAN HEAD 1/4-20x3/4 ASSY



A6 ANGLED BRACKET - A4M03053
(x1) 1 3/8"x1 15/16"x17 1/8" (35x50x435)



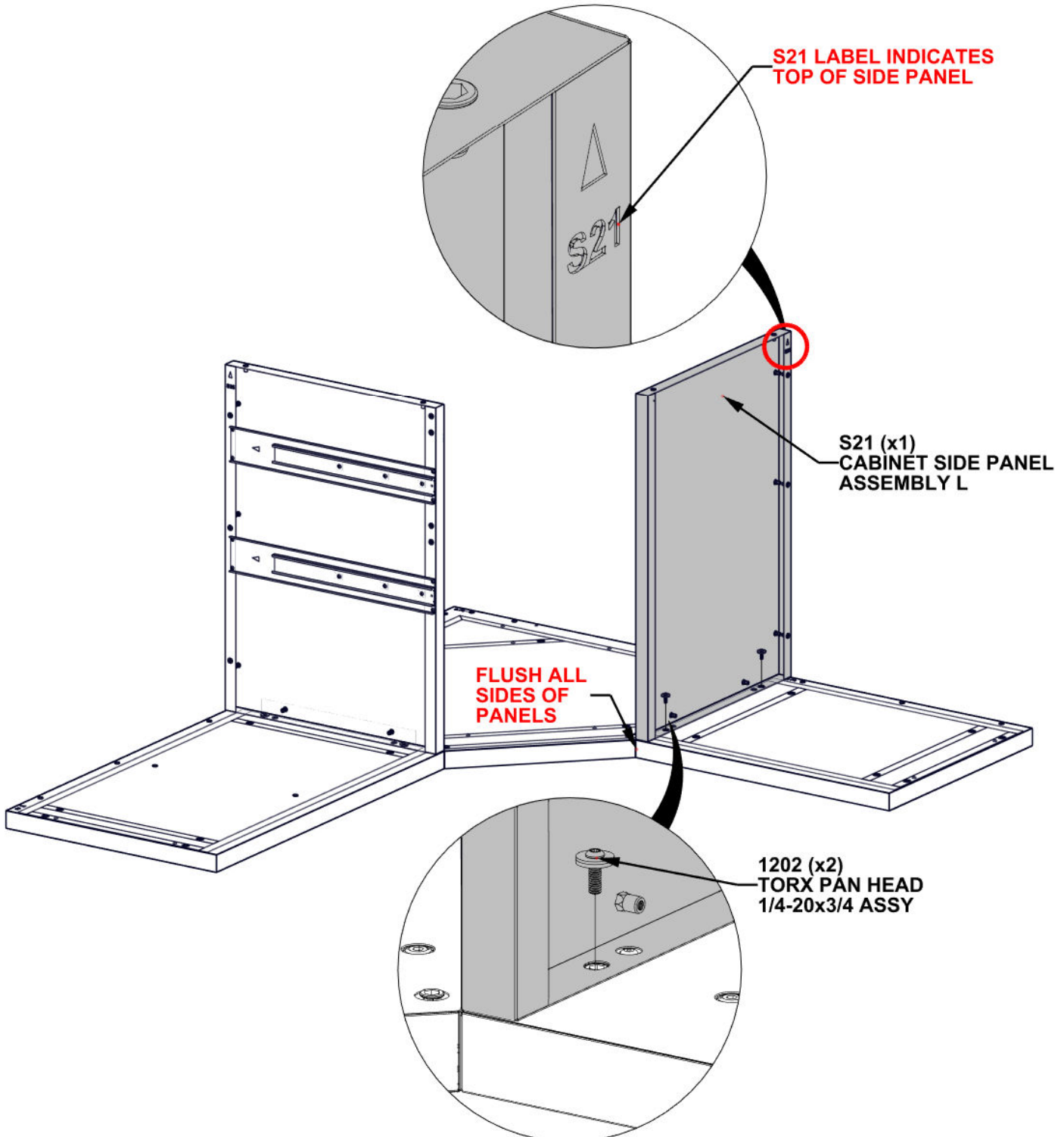
STEP 4 - SINK CABINET ASSEMBLY



Qty	PartNo	Description
2	H101202	TORX PAN HEAD 1/4-20x3/4 ASSY

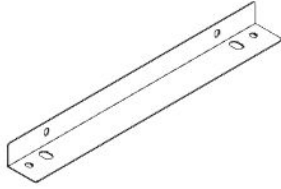
S21 CABINET SIDE PANEL ASSEMBLY L - A4M04670
(x1) 33 7/16"x23 3/8"x1 3/8" (35.00x594x849.7)

- POSITION CABINET SIDE PANEL AS SHOWN BELOW.
- FLUSH CABINET SIDE PANEL WITH CABINET FLOOR PANEL.

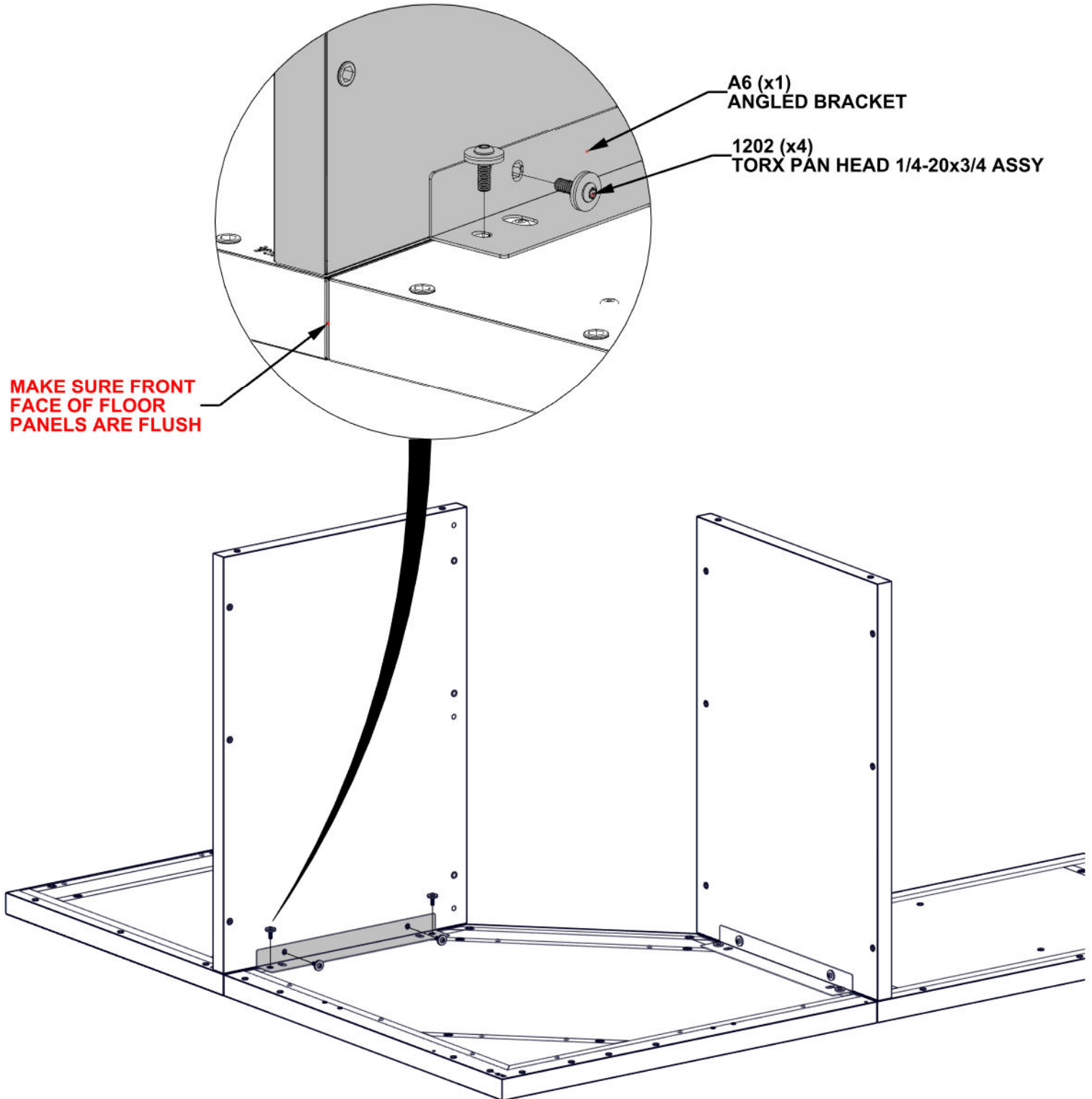


STEP 5 - SINK CABINET ASSEMBLY

Qty	PartNo	Description
4	H101202	TORX PAN HEAD 1/4-20x3/4 ASSY

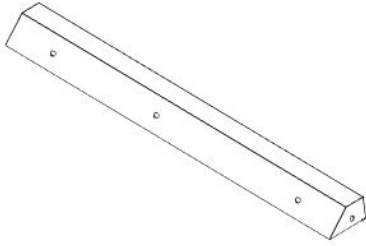


A6 ANGLED BRACKET - A4M03053
(x1) 1 3/8"x1 15/16"x17 1/8" (35x50x435)



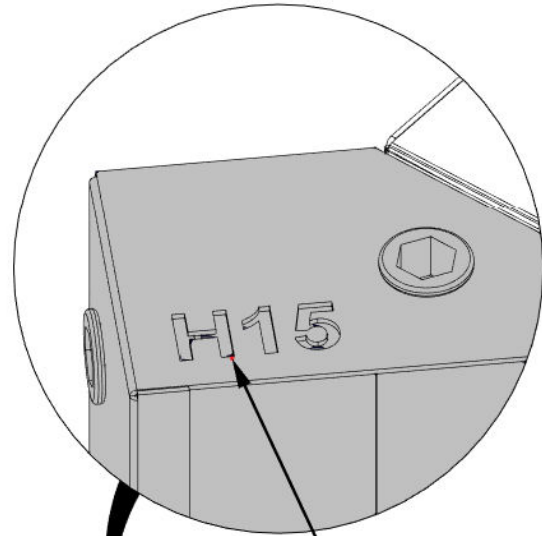
STEP 6 - SINK CABINET ASSEMBLY

Qty	PartNo	Description
4	H101202	TORX PAN HEAD 1/4-20x3/4 ASSY



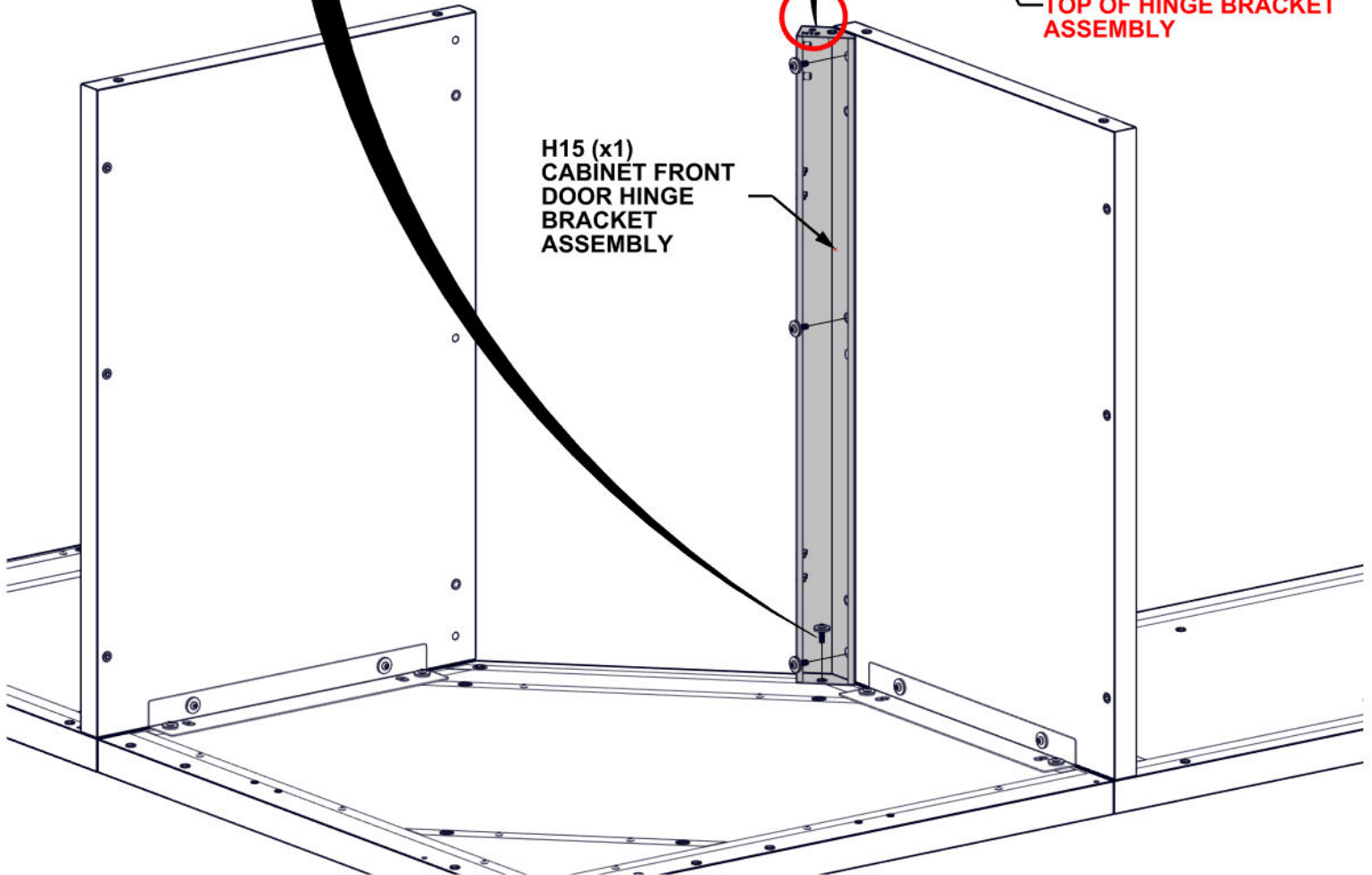
H15 CABINET FRONT DOOR HINGE BRACKET ASSEMBLY - A4M04718
(x1) 33 3/8"x3 1/4"x1 3/4" (45.00x83.04x848.20)

1202 (x4)
TORX PAN HEAD
1/4-20x3/4 ASSY



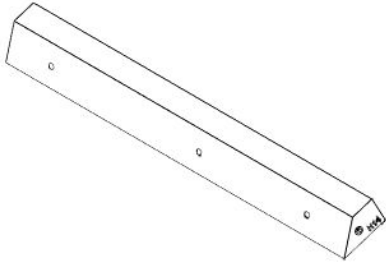
H15 LABEL INDICATES
TOP OF HINGE BRACKET
ASSEMBLY

H15 (x1)
CABINET FRONT
DOOR HINGE
BRACKET
ASSEMBLY



STEP 7 - SINK CABINET ASSEMBLY

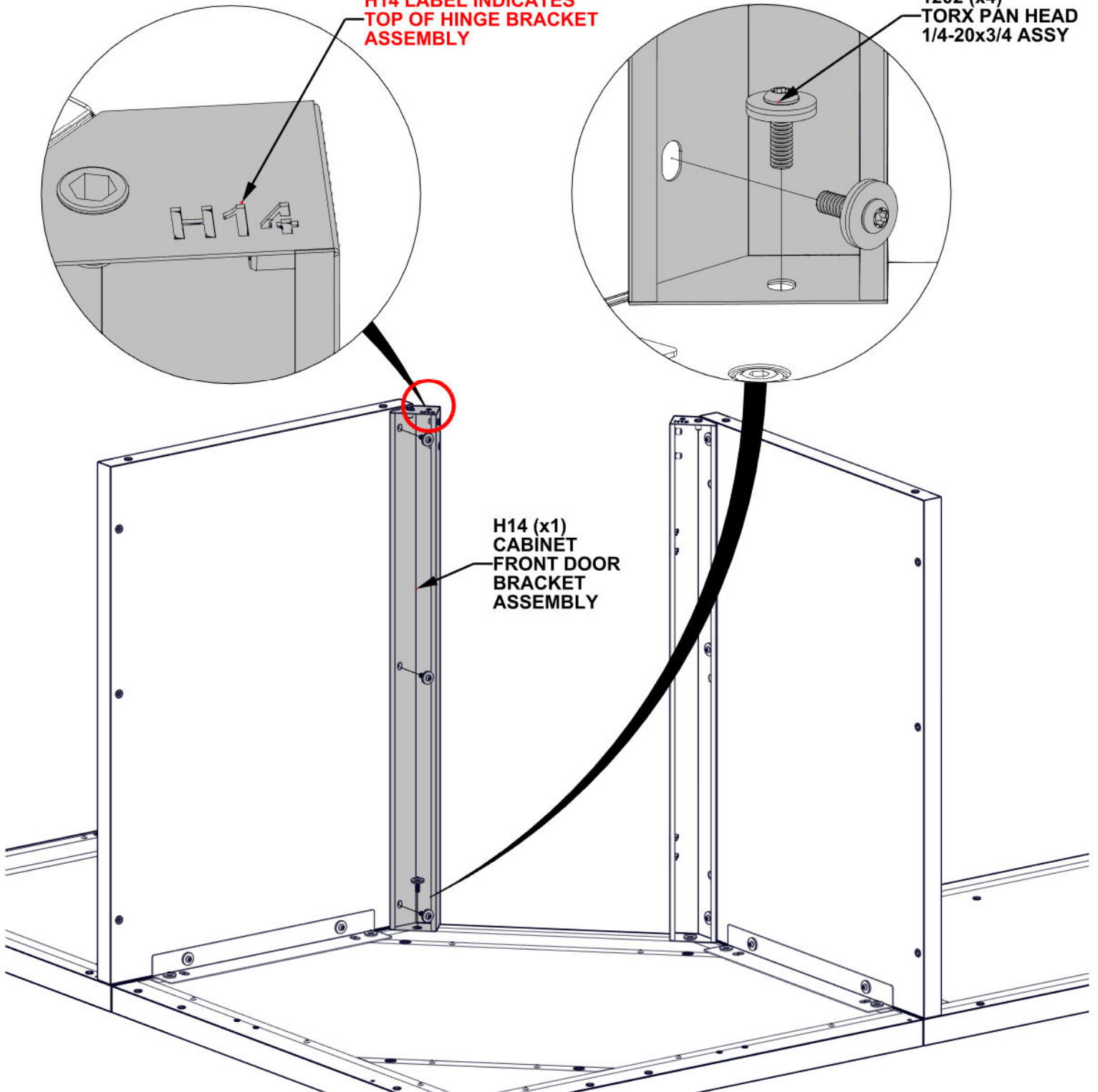
Qty	PartNo	Description
4	H101202	TORX PAN HEAD 1/4-20x3/4 ASSY



H14 CABINET FRONT DOOR BRACKET ASSEMBLY - A4M04717
(x1) 33 3/8"x3 1/4"x1 3/4" (45.00x83.04x848.20)

H14 LABEL INDICATES
TOP OF HINGE BRACKET
ASSEMBLY

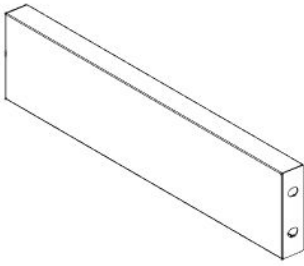
1202 (x4)
TORX PAN HEAD
1/4-20x3/4 ASSY



H14 (x1)
CABINET
FRONT DOOR
BRACKET
ASSEMBLY

STEP 8 - SINK CABINET ASSEMBLY

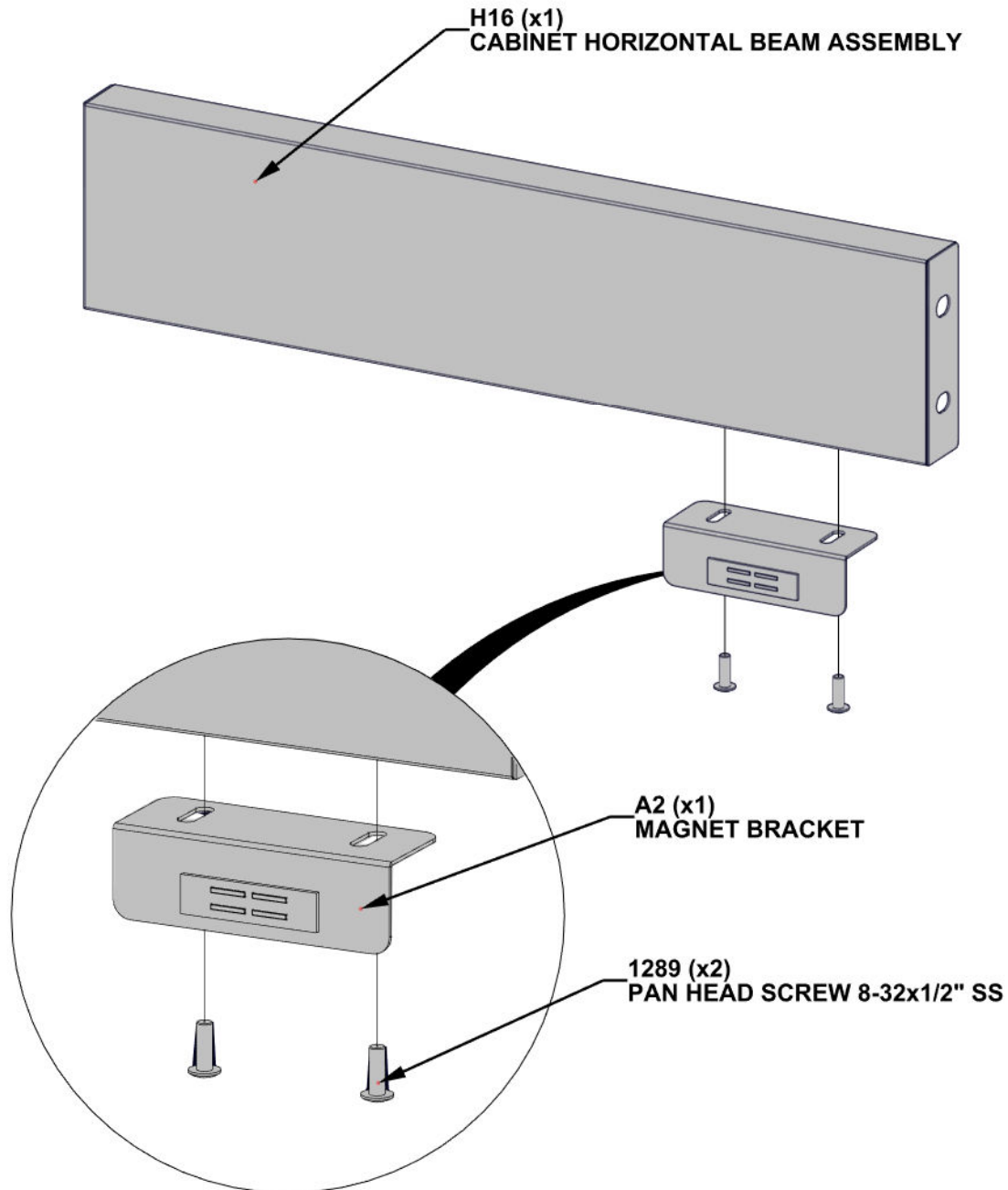
Qty	PartNo	Description
2	H101289	PAN HEAD SCREW 8-32x1/2" SS



H16 CABINET HORIZONTAL BEAM ASSEMBLY - A4M04719
 (x1) 14 5/8"x3 3/8"x1" (25x85x372)

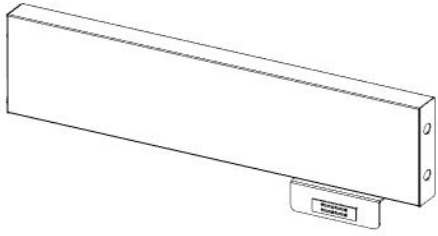


A2 MAGNET BRACKET - A4M03026
 (x1) 1"x1 1/4"x3 1/8" (25x31x80)



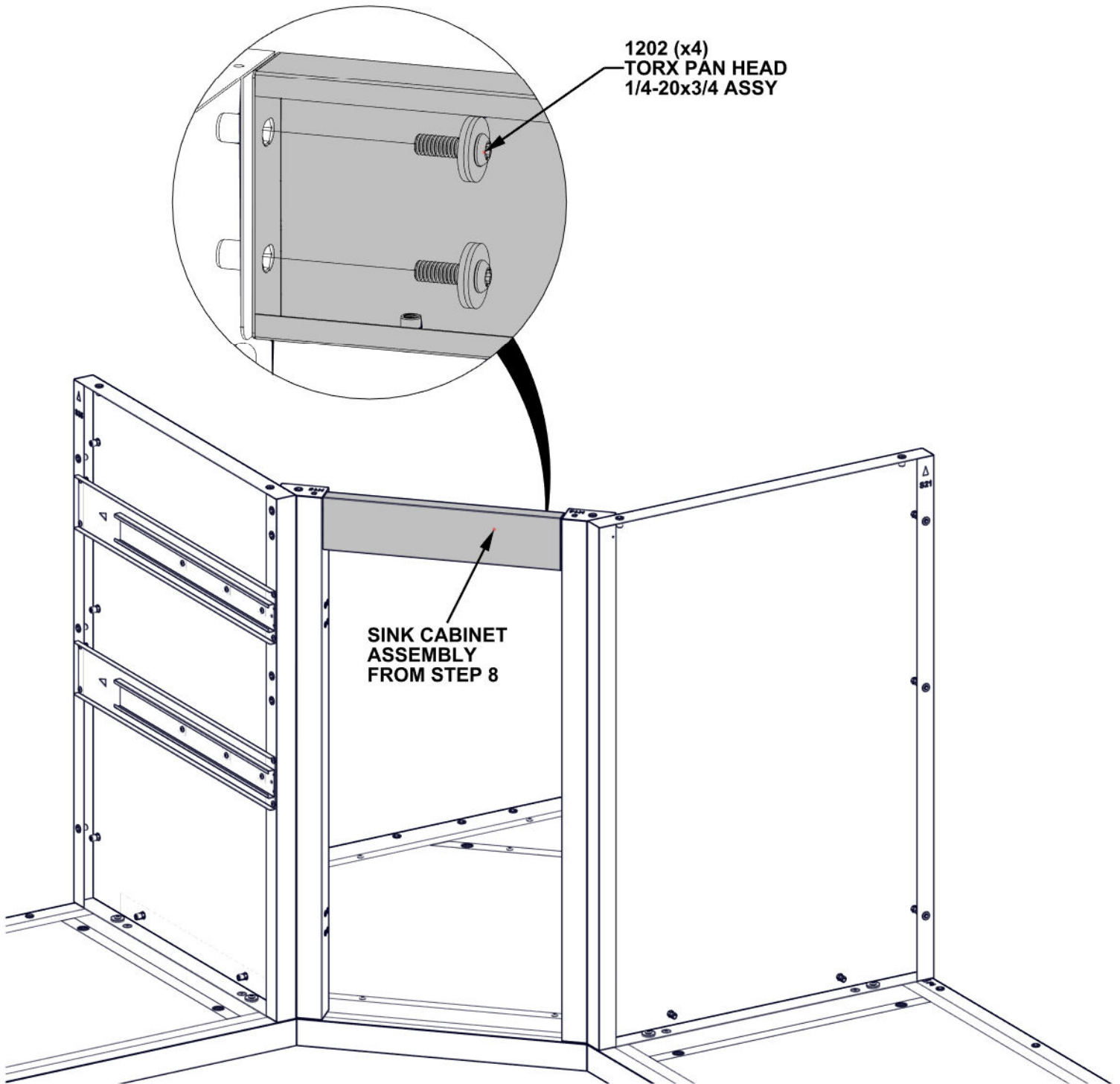
STEP 9 - SINK CABINET ASSEMBLY

Qty	PartNo	Description
4	H101202	TORX PAN HEAD 1/4-20x3/4 ASSY



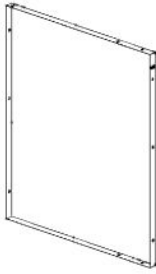
SINK CABINET ASSEMBLY FROM STEP 8

- HARDWARE ATTACHES ON INSIDE OF CABINET

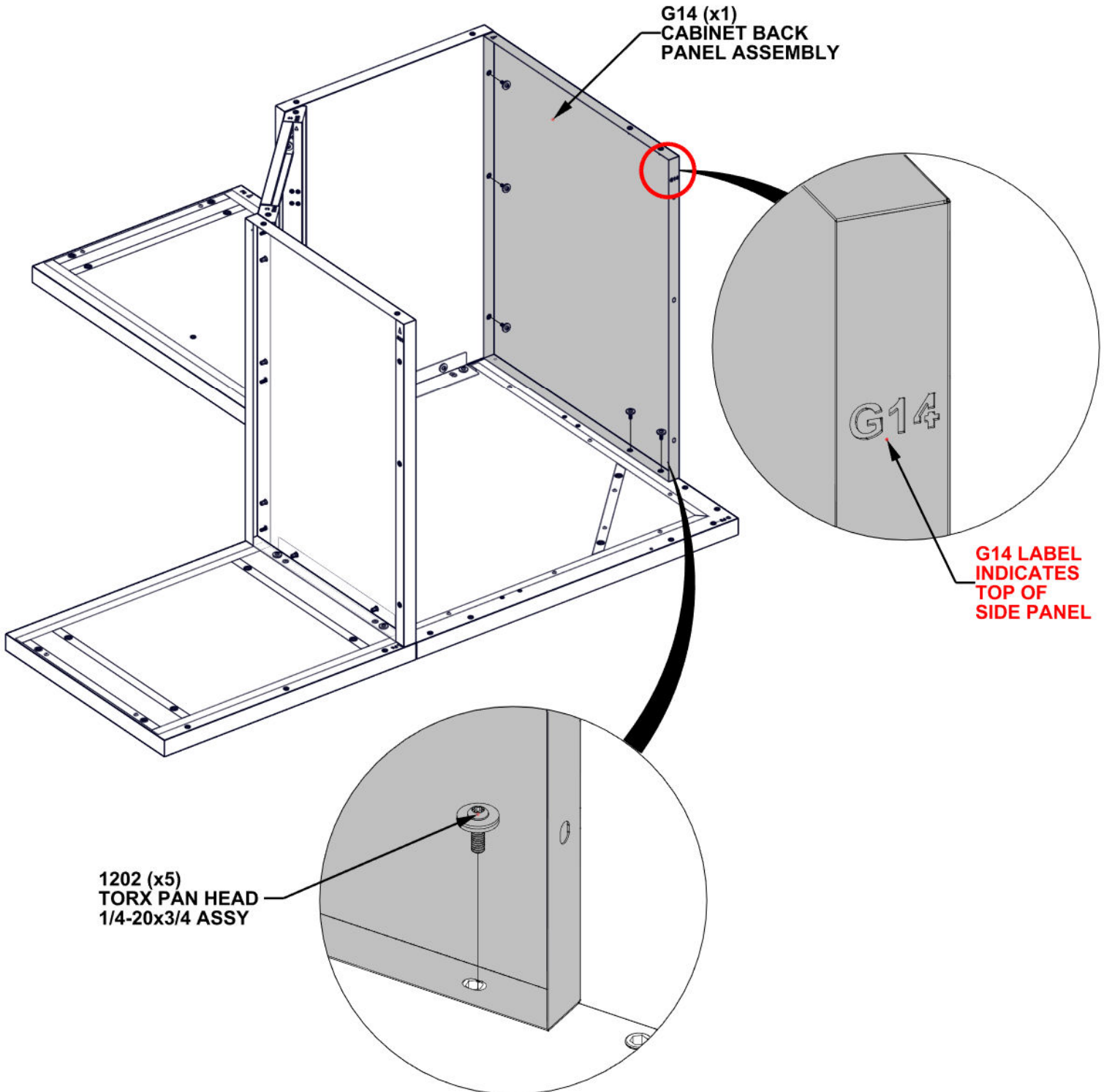


STEP 10 - SINK CABINET ASSEMBLY

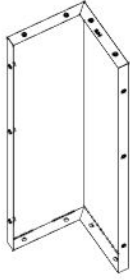
Qty	PartNo	Description
5	H101202	TORX PAN HEAD 1/4-20x3/4 ASSY



G14 CABINET BACK PANEL ASSEMBLY - A4M04716
(x1) 27 5/16"x33 3/8"x1 3/16" (30x847.2x693)

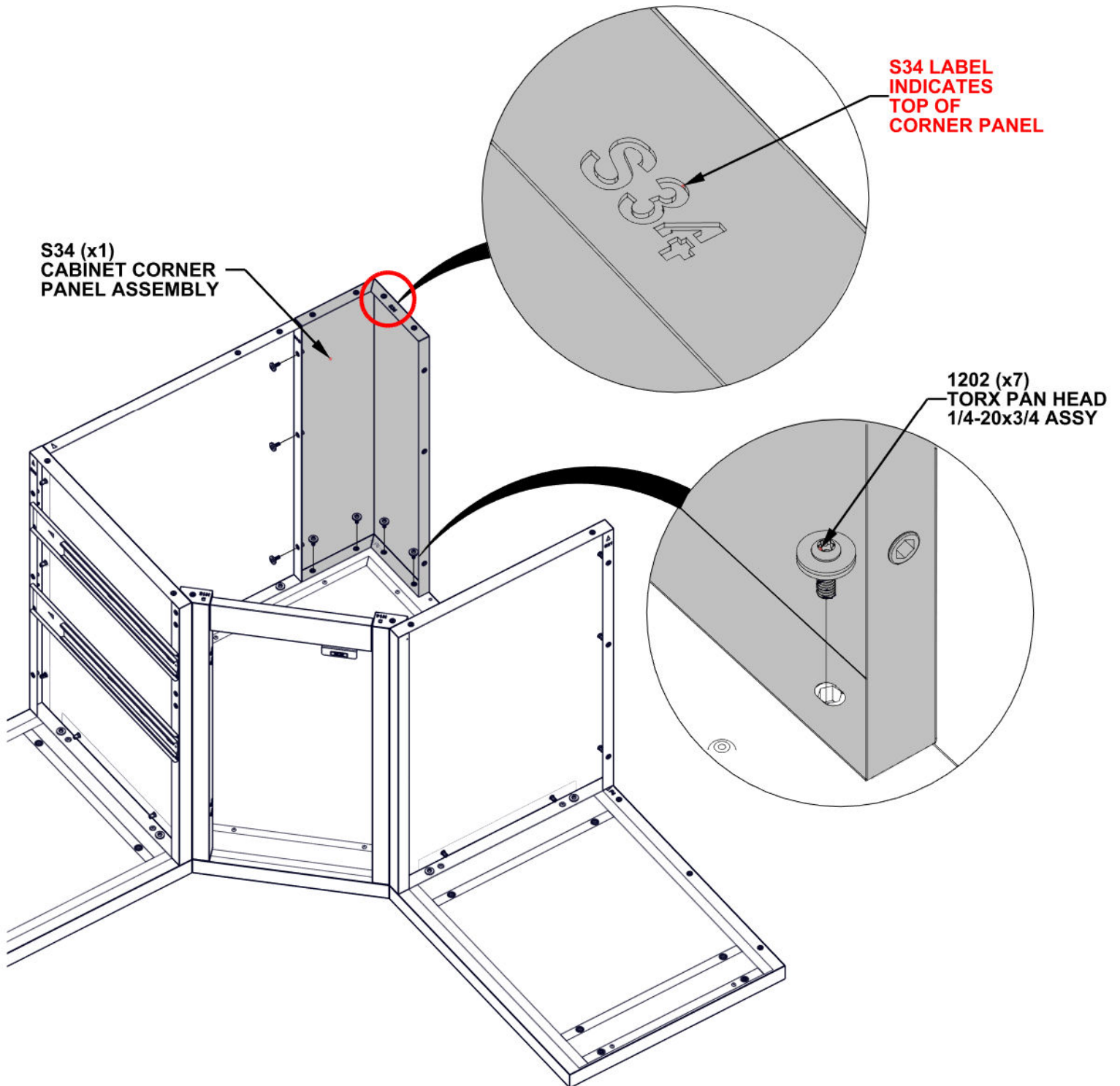


STEP 11 - SINK CABINET ASSEMBLY



Qty	PartNo	Description
7	H101202	TORX PAN HEAD 1/4-20x3/4 ASSY

S34 CABINET CORNER PANEL ASSEMBLY - A4M04850
(x1) 33 3/8"x8 11/16"x8 11/16" (220x220x848)

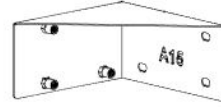


STEP 12 - SINK CABINET ASSEMBLY

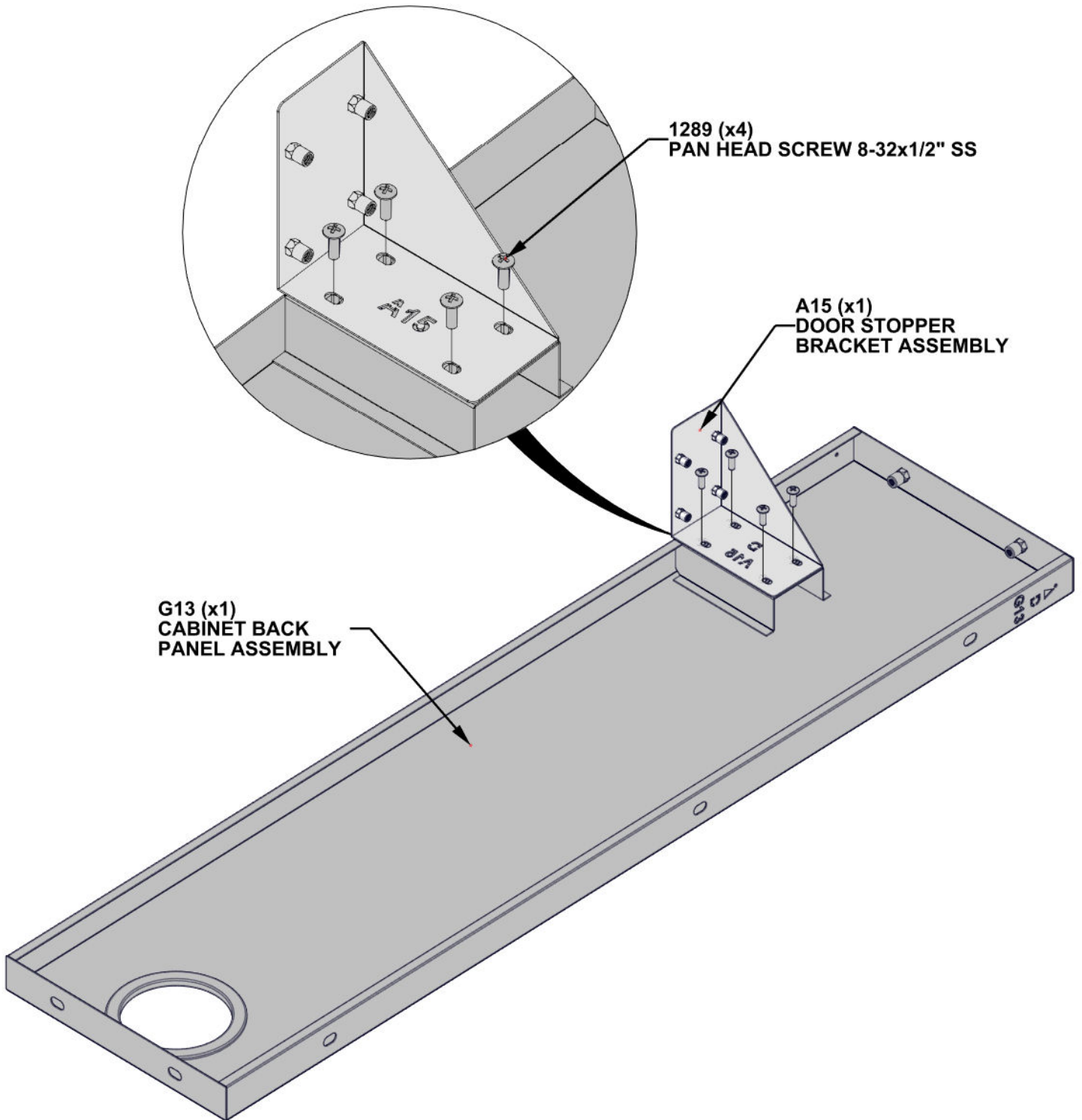
Qty	PartNo	Description
4	H101289	PAN HEAD SCREW 8-32x1/2" SS



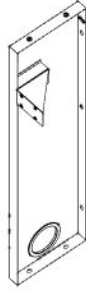
G13 CABINET BACK PANEL ASSEMBLY - A4M04715
 (x1) 33 3/8"x8 1/2"x1 3/16" (30.00x215.0x847)



A15 DOOR STOPPER BRACKET ASSEMBLY - A4M04480
 (x1) 3 15/16"x3 3/4"x1 15/16" (50x95x100)

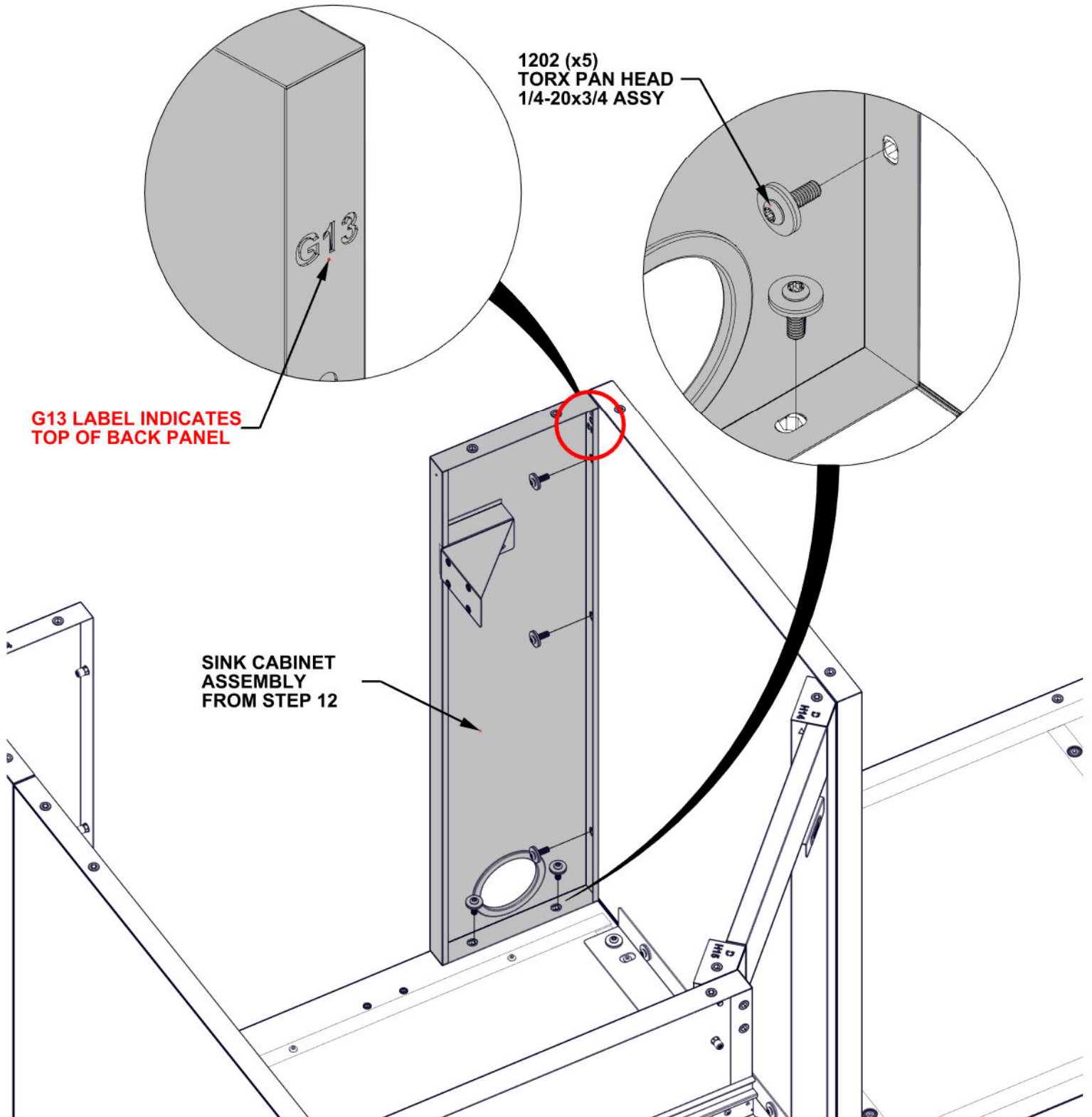


STEP 13 - SINK CABINET ASSEMBLY



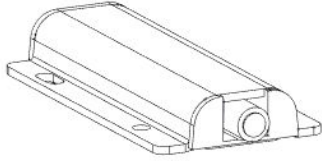
Qty	PartNo	Description
5	H101202	TORX PAN HEAD 1/4-20x3/4 ASSY

SINK CABINET ASSEMBLY FROM STEP 12

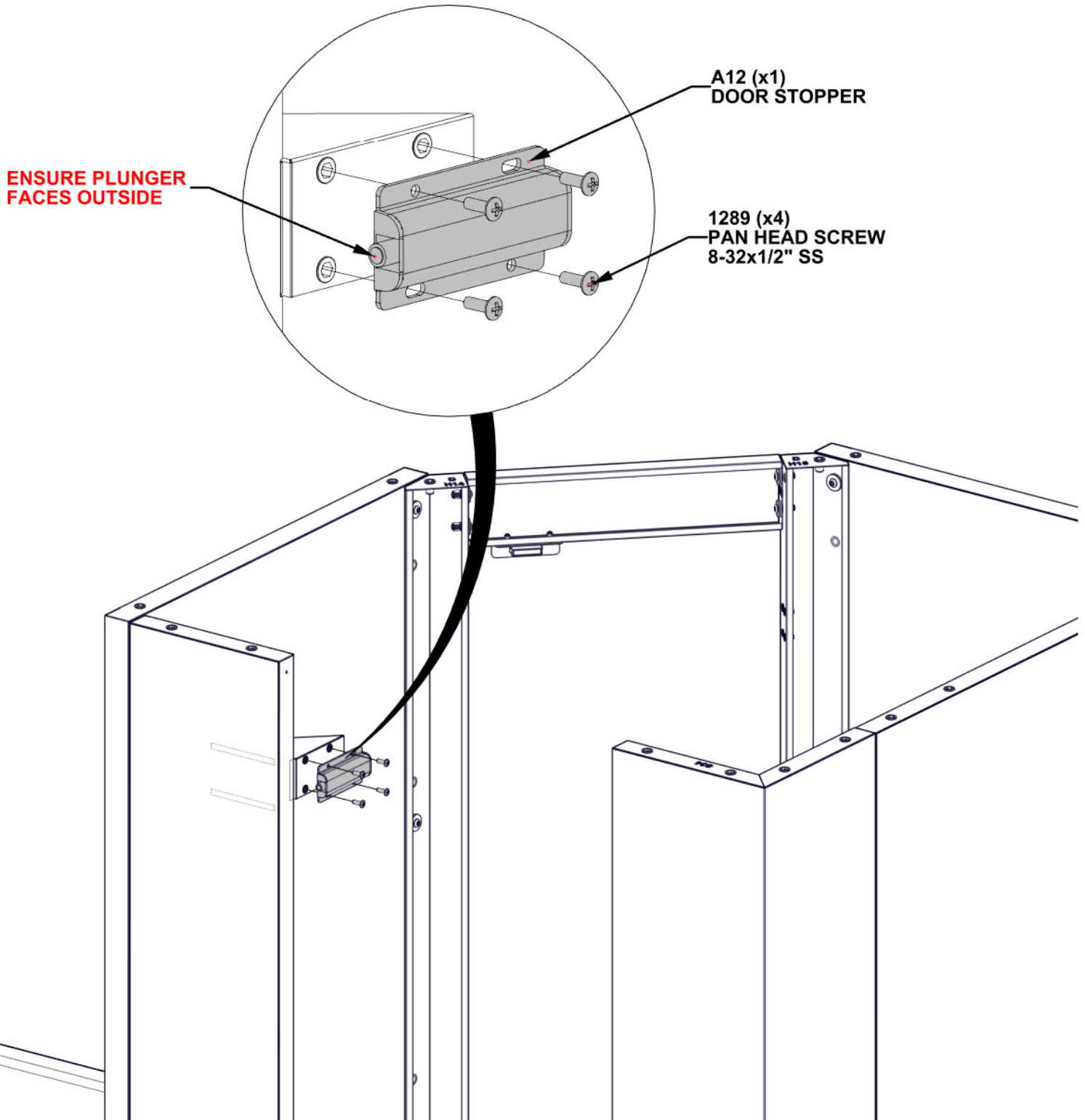


STEP 14 - SINK CABINET ASSEMBLY

Qty	PartNo	Description
4	H101289	PAN HEAD SCREW 8-32x1/2" SS



A12 DOOR STOPPER - A4M04128
(x1) 3 11/16"x1 3/4"x1/2" (13.3x45x94)

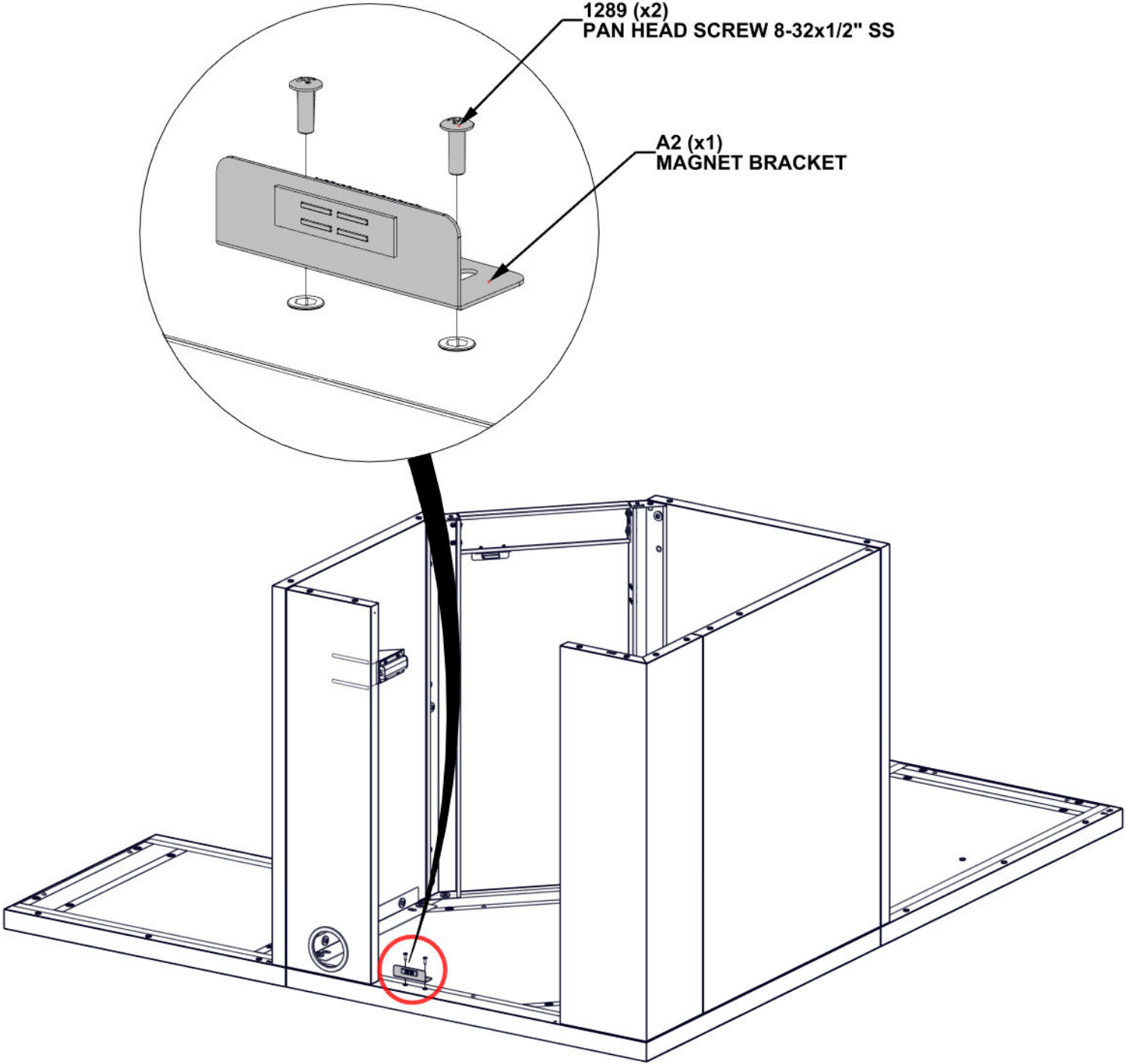


STEP 15 - SINK CABINET ASSEMBLY

Qty	PartNo	Description
2	H101289	PAN HEAD SCREW 8-32x1/2" SS

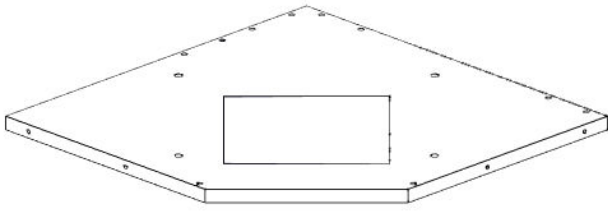


A2 MAGNET BRACKET - A4M03026
(x1) 1"x1 1/4"x3 1/8" (25x31x80)



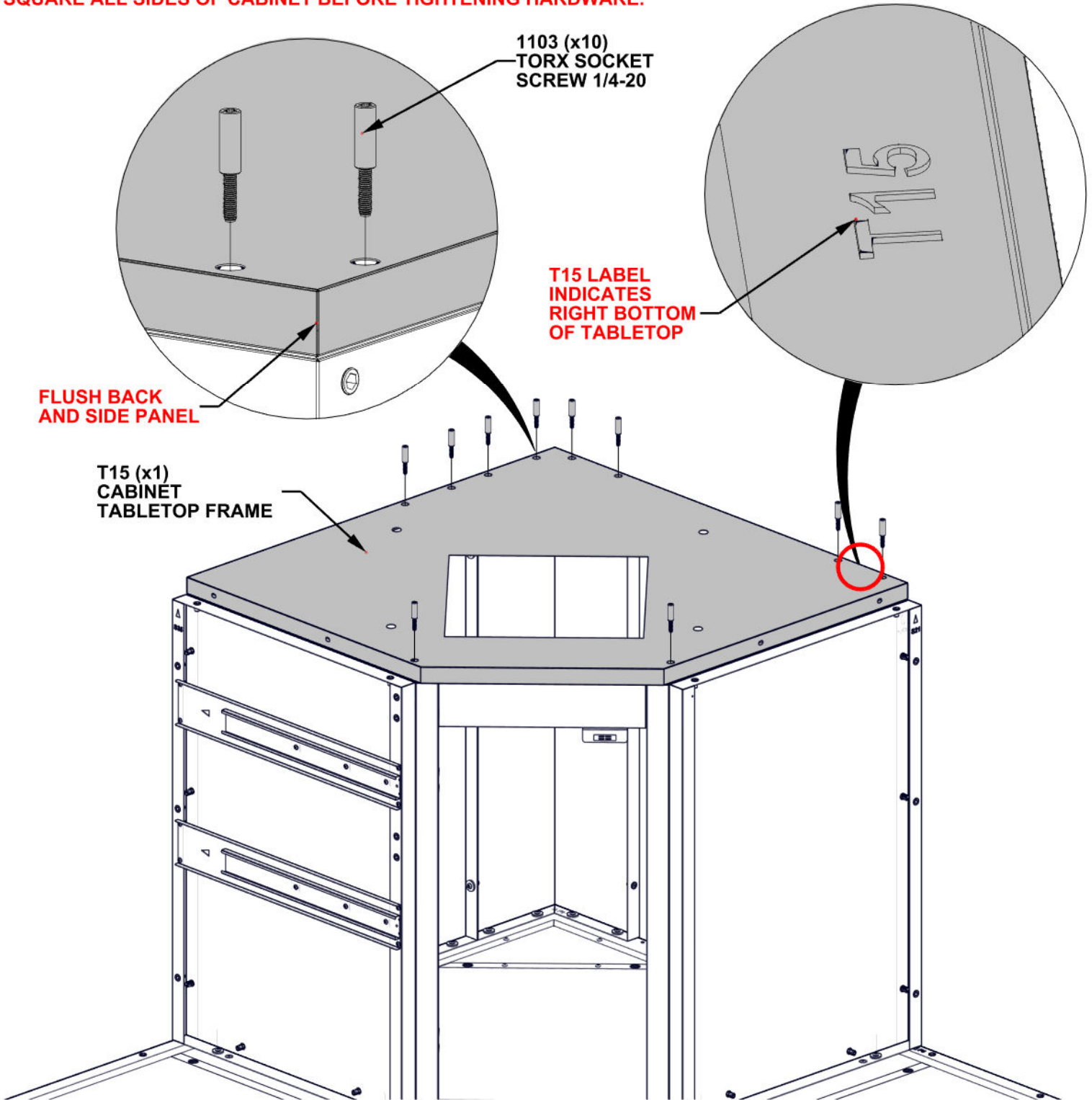
STEP 16 - SINK CABINET ASSEMBLY

Qty	PartNo	Description
10	H101103	TORX SOCKET SCREW 1/4-20



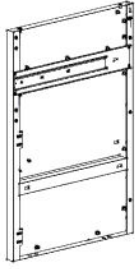
T15 CABINET TABLETOP FRAME - A4M04713
(x1) 36"x914.00x1 1/4" (32x914x914)

- FLUSH BACK AND SIDES OF PANEL ASSEMBLY.
- SQUARE ALL SIDES OF CABINET BEFORE TIGHTENING HARDWARE.

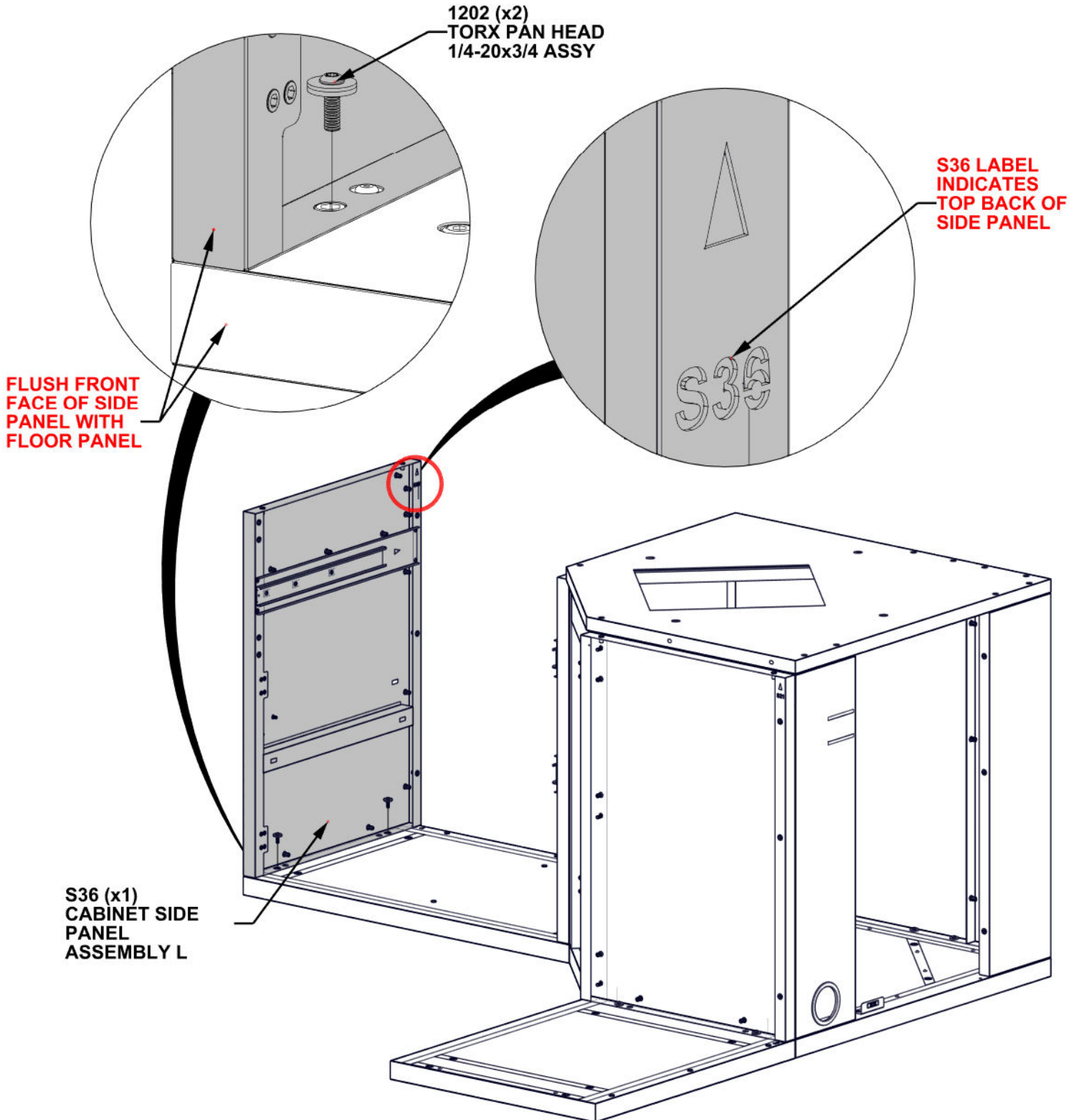


STEP 17 - RIGHT STORAGE CABINET ASSEMBLY

Qty	PartNo	Description
2	H101202	TORX PAN HEAD 1/4-20x3/4 ASSY

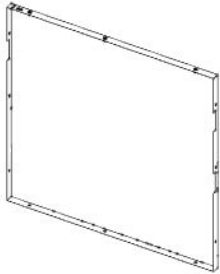


S36 CABINET SIDE PANEL ASSEMBLY L - A4M04852
 (x1) 33 3/8"x23 3/8"x1 3/8" (35.00x594.00x848.20)

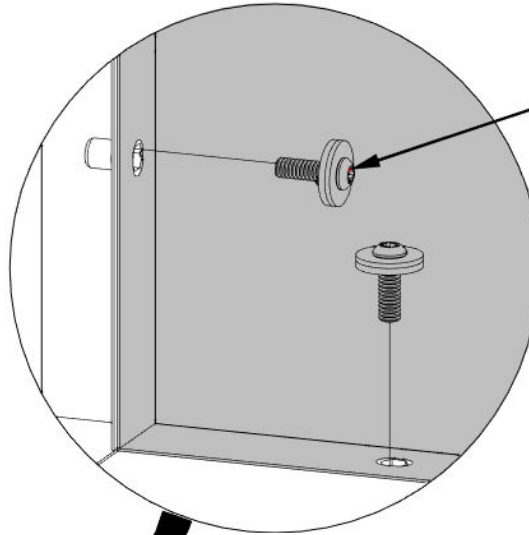
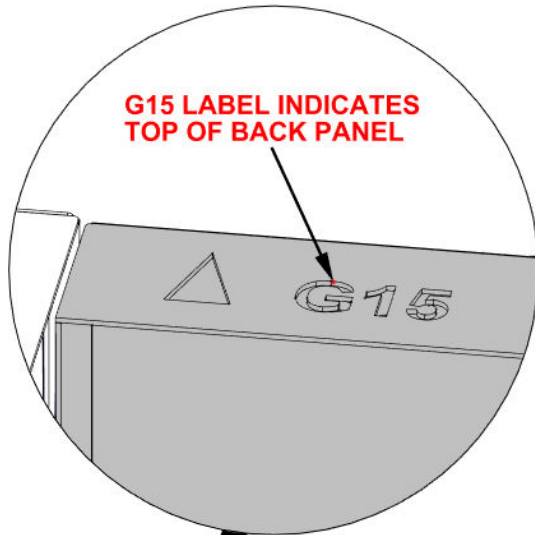


STEP 18 - RIGHT STORAGE CABINET ASSEMBLY

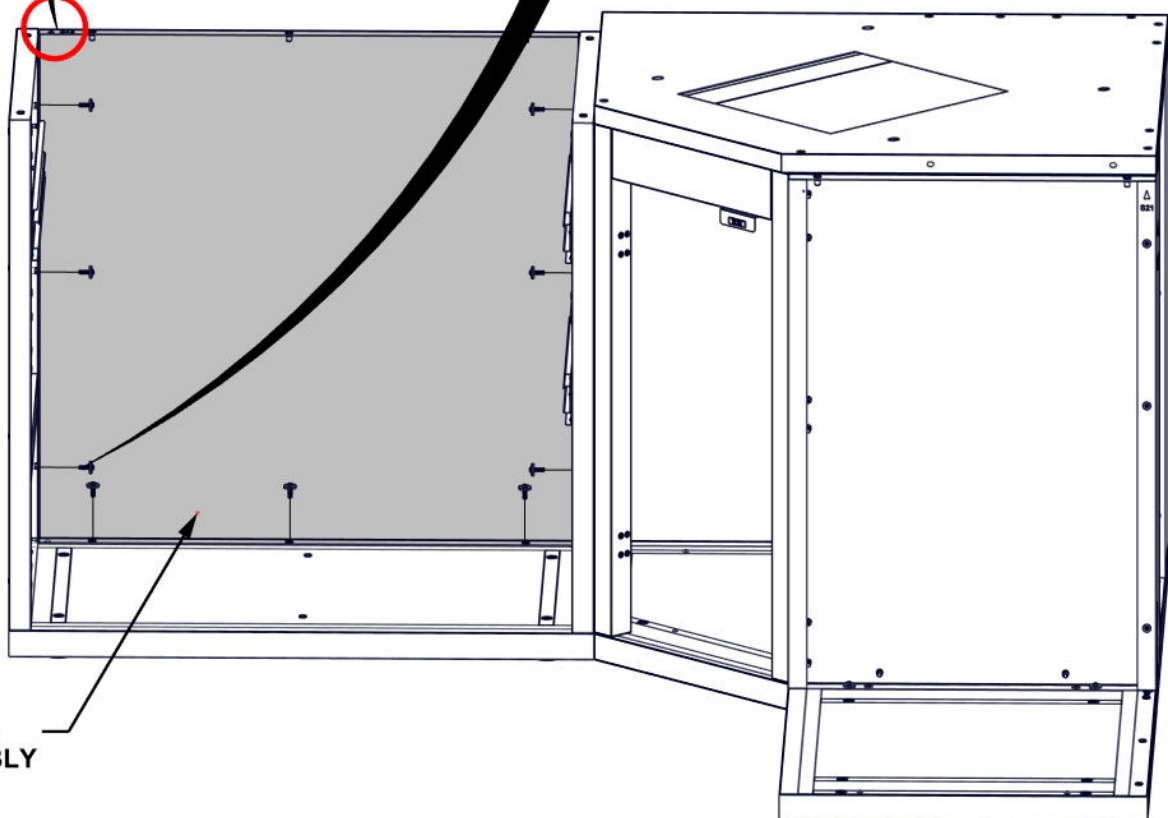
Qty	PartNo	Description
9	H101202	TORX PAN HEAD 1/4-20x3/4 ASSY



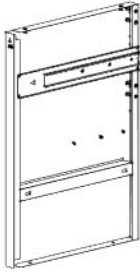
G15 CABINET BACK PANEL ASSEMBLY - A4M04707
(x1) 34 5/16"x33 3/8"x1 3/16" (30x847.2x1049)



G15 (x1)
CABINET BACK
PANEL ASSEMBLY



STEP 19 - RIGHT STORAGE CABINET ASSEMBLY



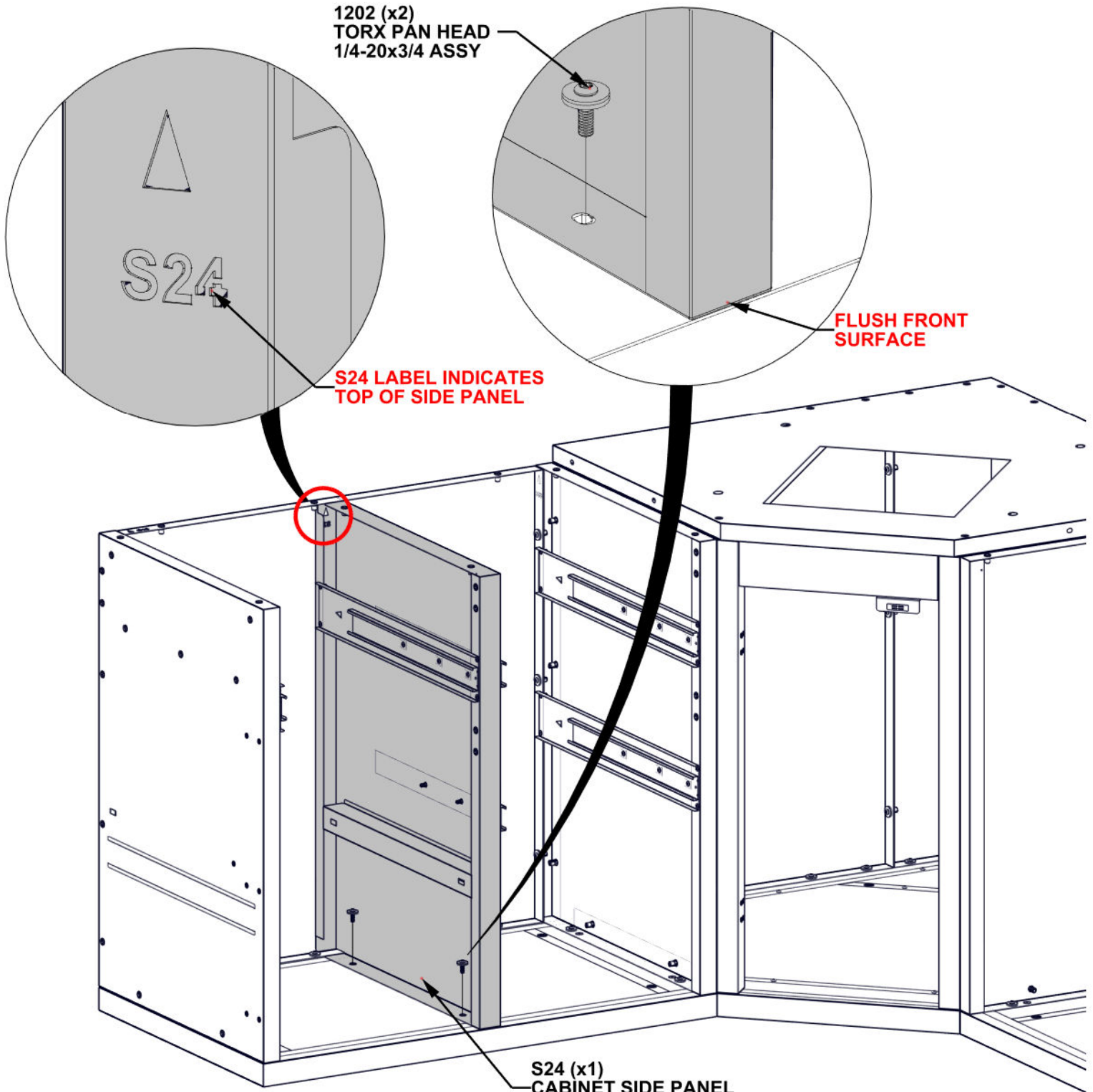
Qty	PartNo	Description
2	H101202	TORX PAN HEAD 1/4-20x3/4 ASSY

S24 CABINET SIDE PANEL ASSEMBLY M - A4M04705
 (x1) 33 3/8"x23 5/16"x2 3/16" (56.2x593x847)

1202 (x2)
 TORX PAN HEAD
 1/4-20x3/4 ASSY

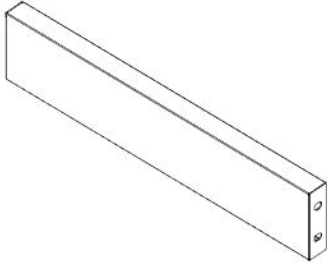
S24 LABEL INDICATES
 TOP OF SIDE PANEL

FLUSH FRONT
 SURFACE



S24 (x1)
 CABINET SIDE PANEL
 ASSEMBLY M

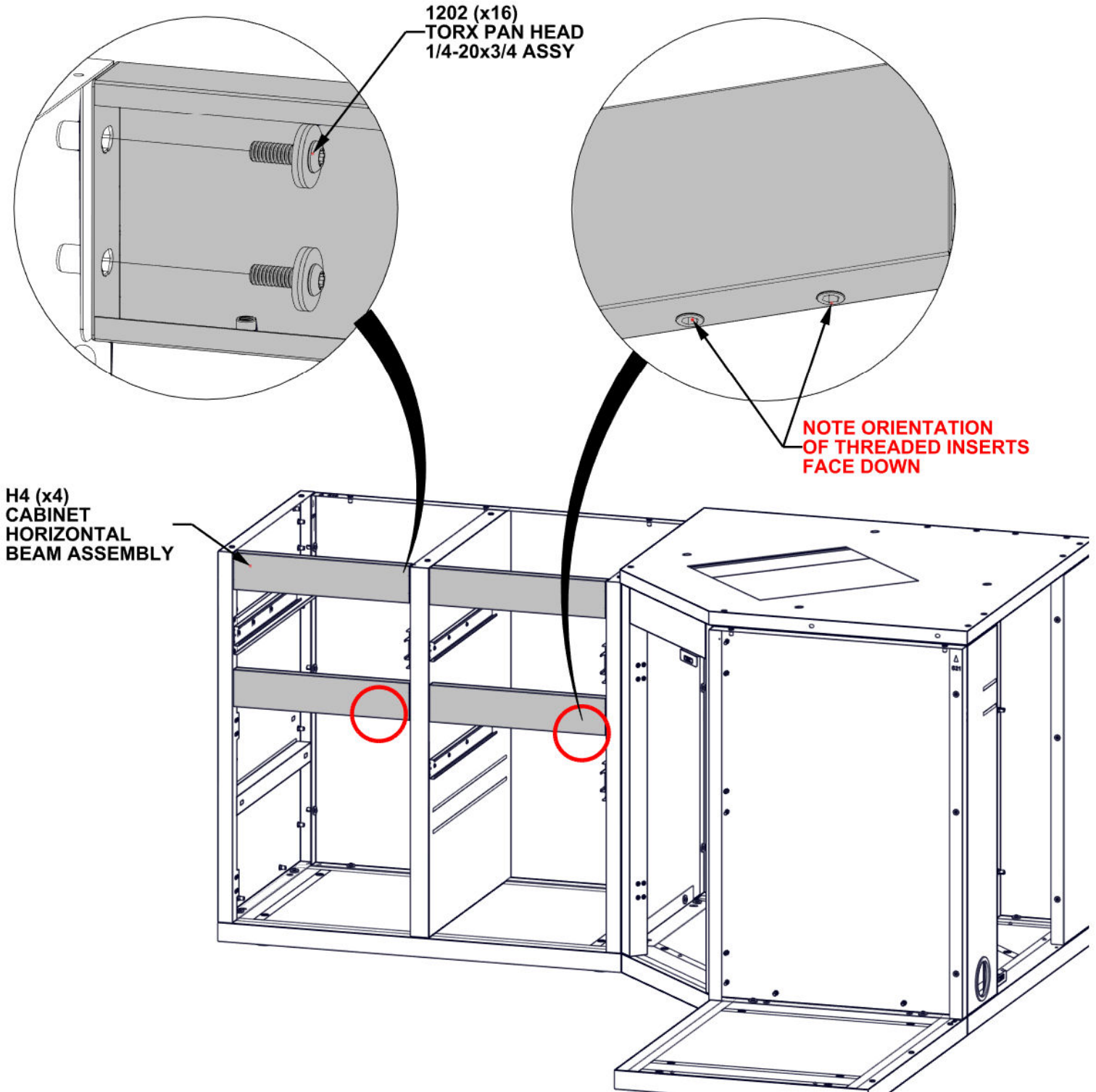
STEP 20 - RIGHT STORAGE CABINET ASSEMBLY



Qty	PartNo	Description
16	H101202	TORX PAN HEAD 1/4-20x3/4 ASSY

H4 CABINET HORIZONTAL BEAM ASSEMBLY - A4M03575
(x4) 16 1/4"x3 3/8"x1" (25x85x413)

- HARDWARE ATTACHES ON INSIDE OF CABINET

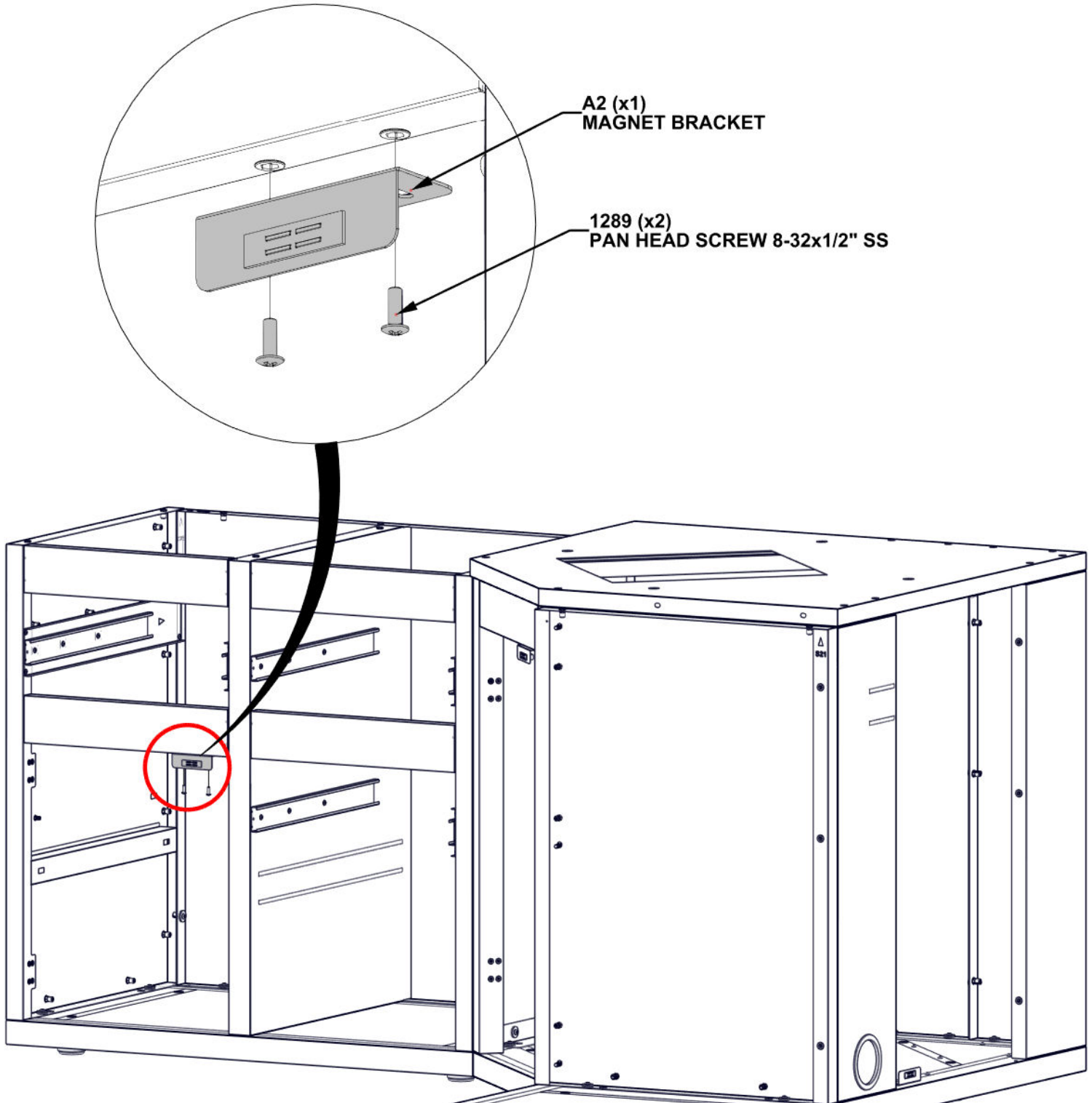


STEP 21 - RIGHT STORAGE CABINET ASSEMBLY

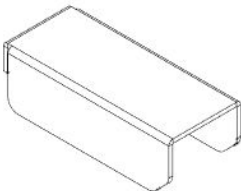
Qty	PartNo	Description
2	H101289	PAN HEAD SCREW 8-32x1/2" SS



A2 MAGNET BRACKET - A4M03026
(x1) 1"x1 1/4"x3 1/8" (25x31x80)

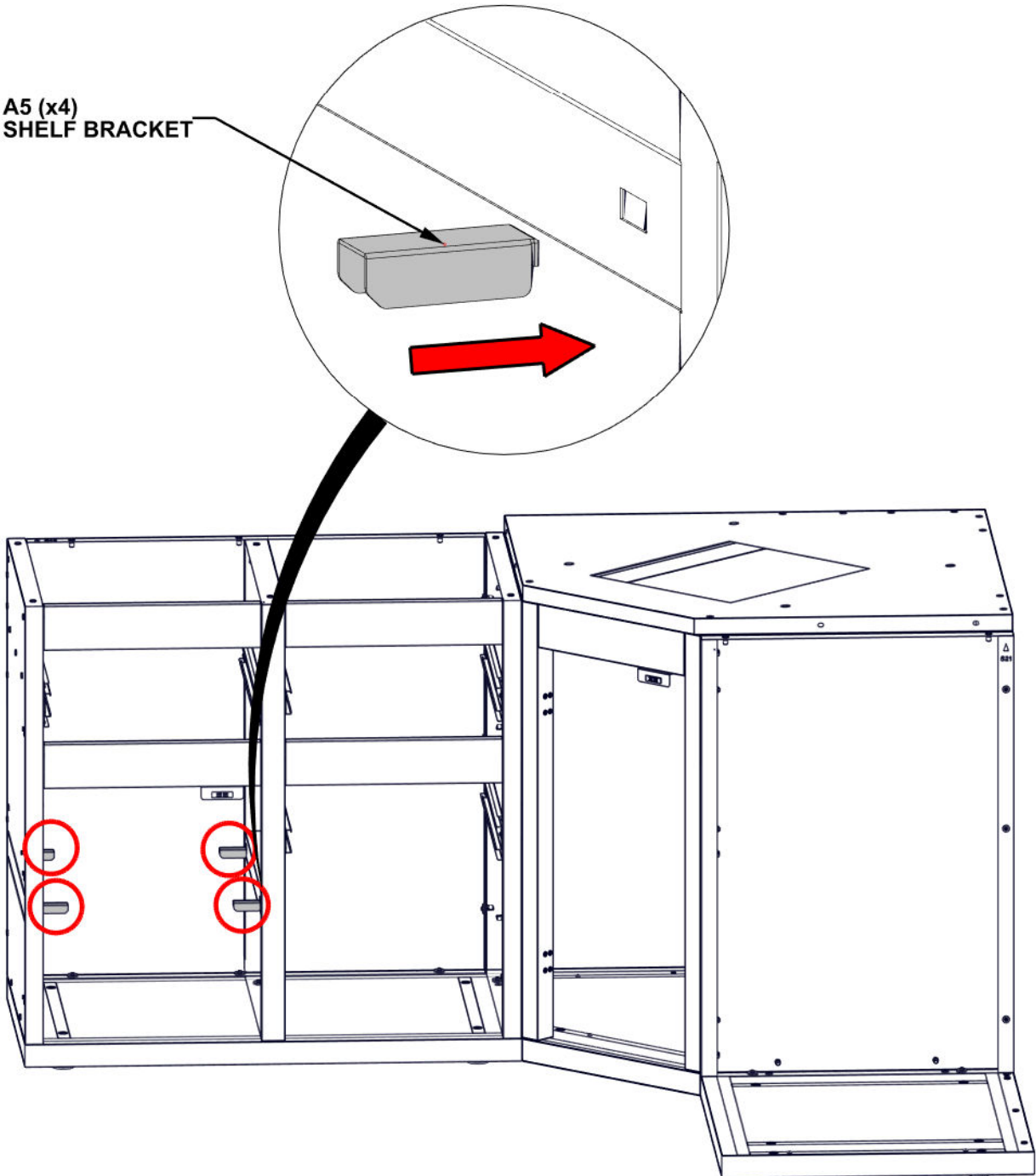


STEP 22A - RIGHT STORAGE CABINET ASSEMBLY

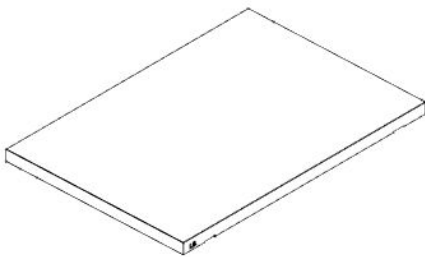


A5 SHELF BRACKET - A4M03141
(x4) 5/8"x7/8"x2 1/16" (16x22x53)

- ATTACH SHELF BRACKETS ON BOTH SIDES OF CABINETS.

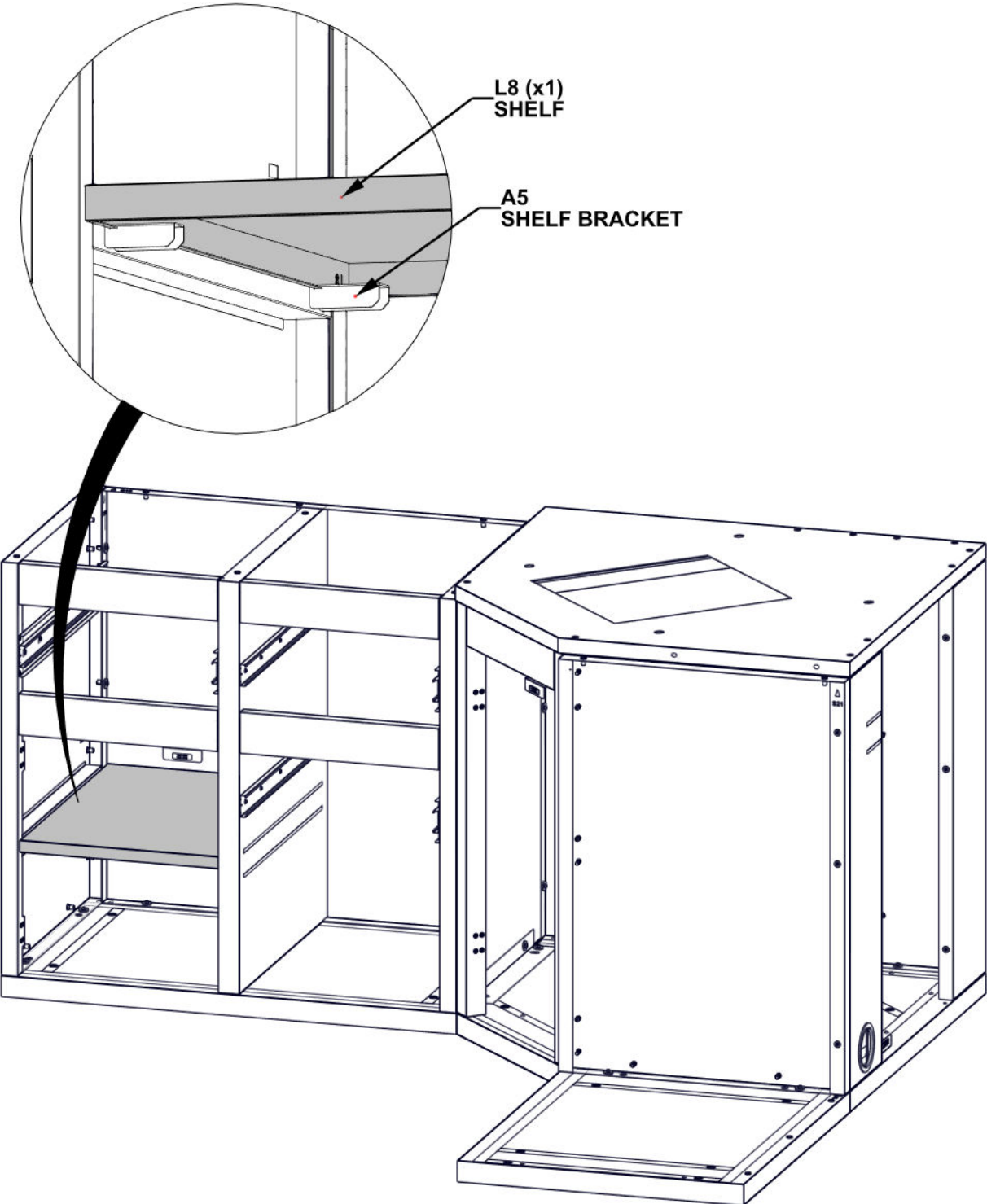


STEP 22B - RIGHT STORAGE CABINET ASSEMBLY



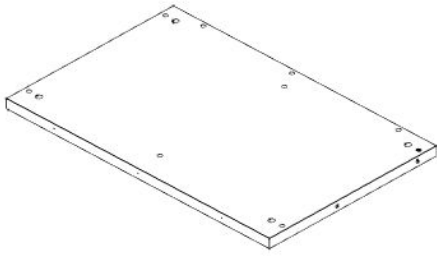
L8 SHELF - A4M05644
(x1) 23 1/4"x16 1/4"x1" (25x412x591)

- PUT SHELF ON THE SHELF BRACKETS.



STEP 23 - RIGHT STORAGE CABINET ASSEMBLY

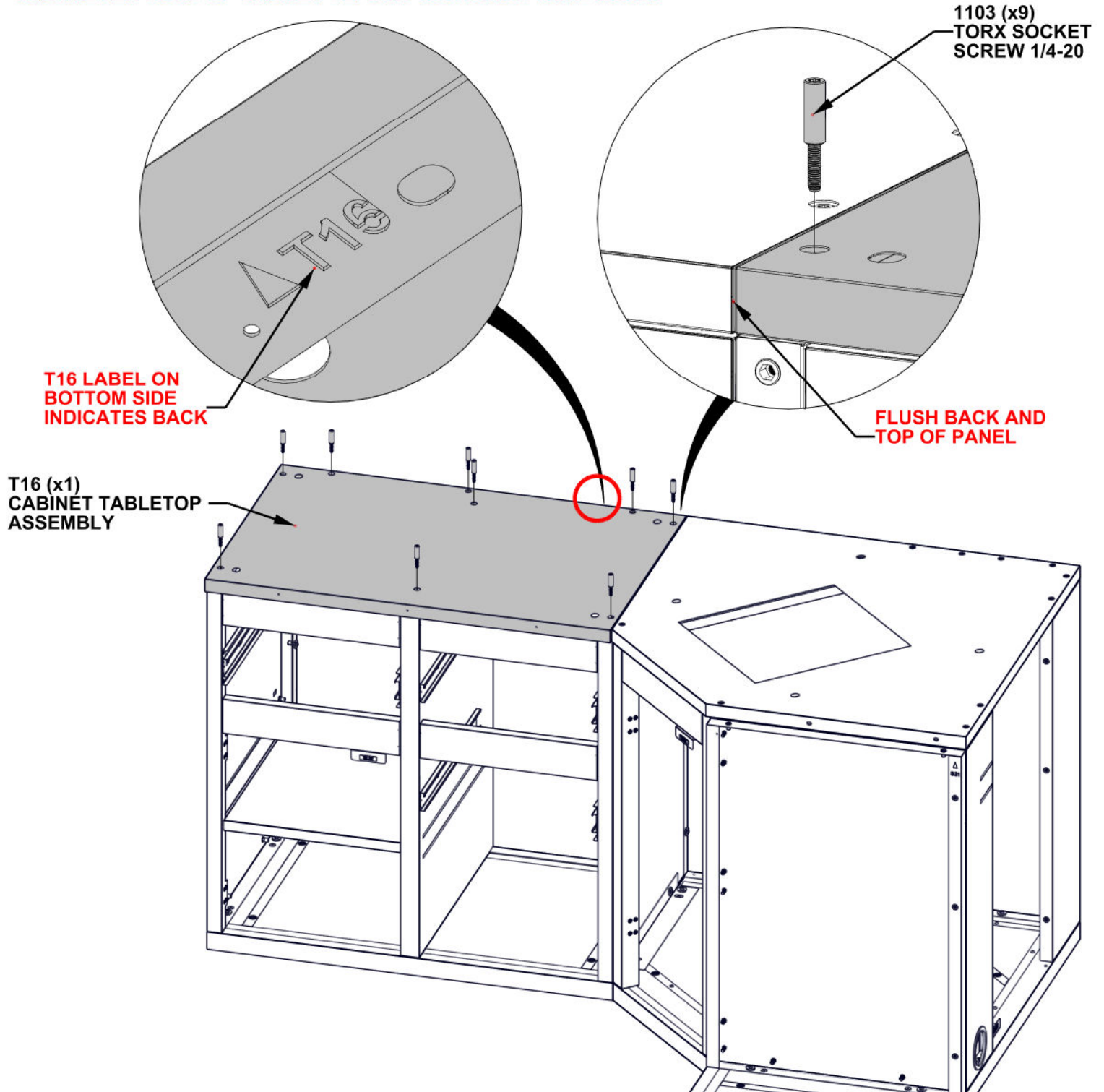
Qty	PartNo	Description
9	H101103	TORX SOCKET SCREW 1/4-20



T16 CABINET TABLETOP ASSEMBLY - A4M04708
(x1) 37 3/16"x24 1/8"x1 1/4" (32x612x944)

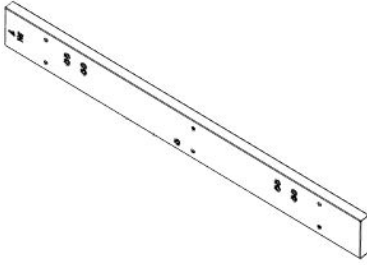
- FLUSH BACK AND SIDES OF PANEL ASSEMBLY.

- SQUARE ALL SIDES OF CABINET BEFORE TIGHTENING HARDWARE.

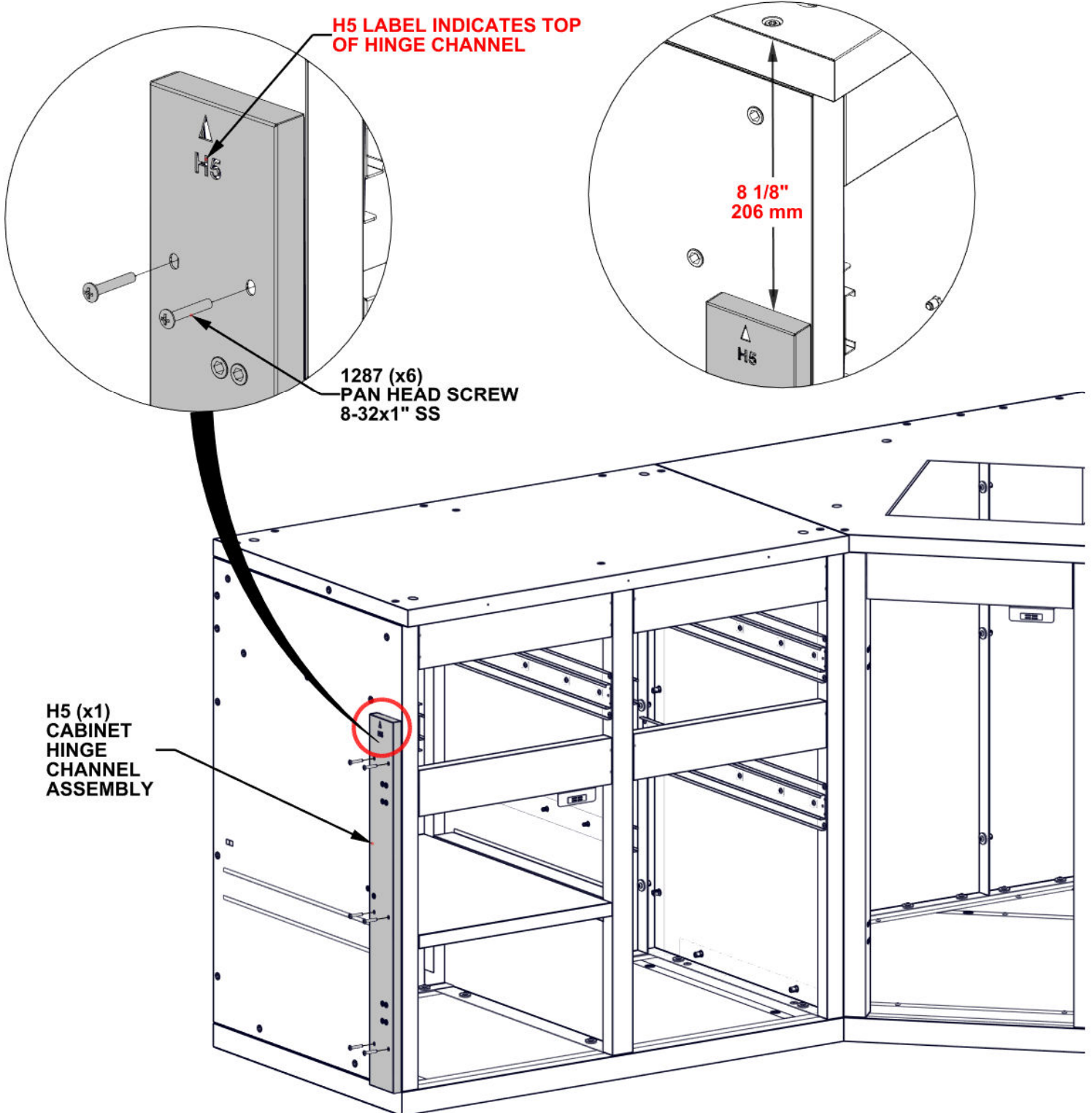


STEP 24 - RIGHT STORAGE CABINET ASSEMBLY

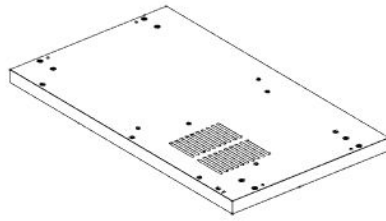
Qty	PartNo	Description
6	H101287	PAN HEAD SCREW 8-32x1" SS



H5 CABINET HINGE CHANNEL ASSEMBLY - A4M03558
(x1) 26 5/8"x2 15/16"x11/16" (18x74.80x676)

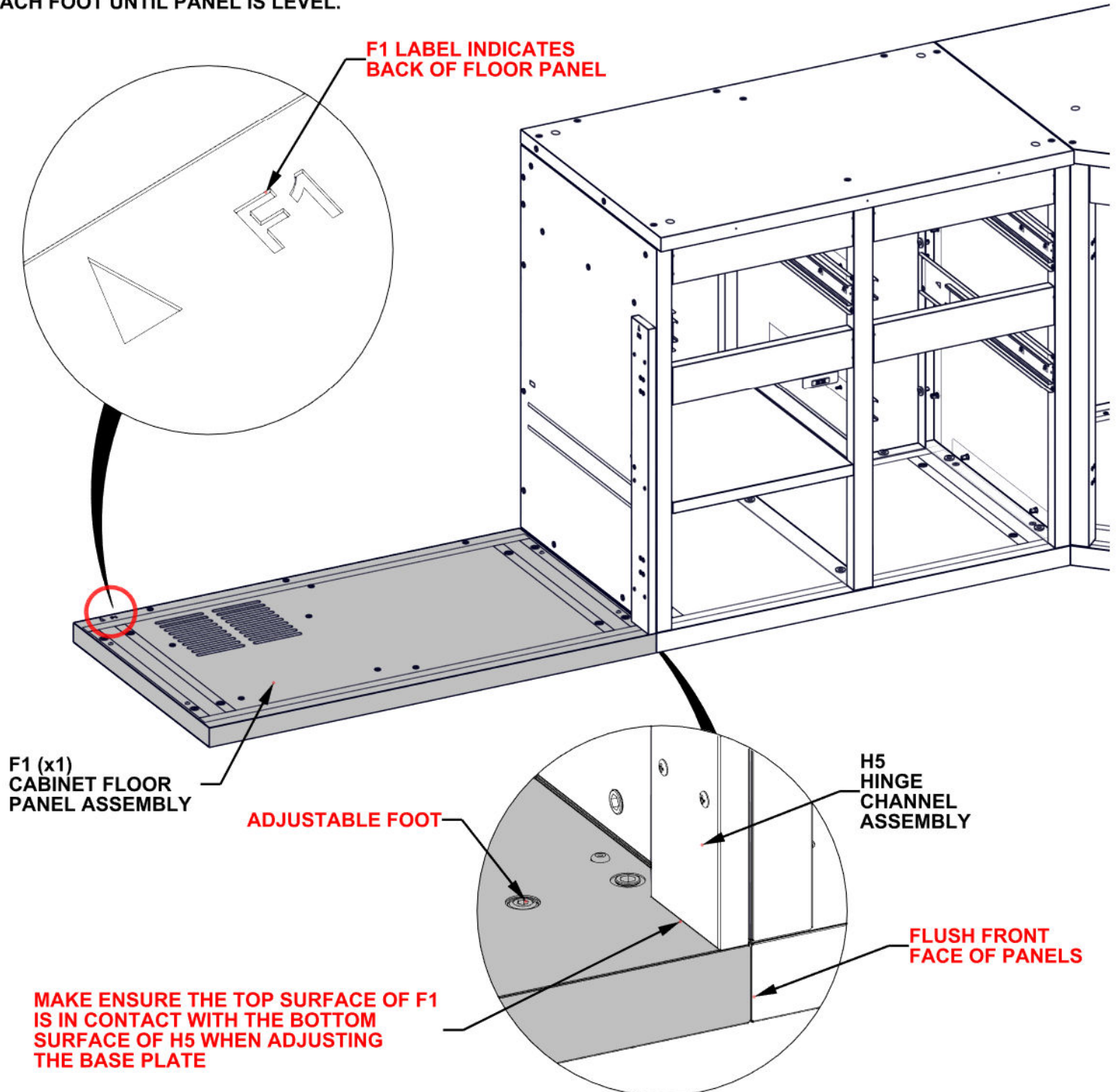


STEP 25A - CABINET ASSEMBLY



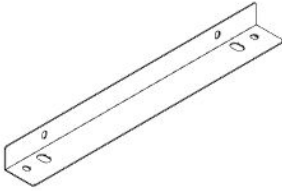
F1 CABINET FLOOR PANEL ASSEMBLY - A4M03538
(x1) 40 3/16"x23 3/8"x2 5/8" (66x594x1020)

- POSITION FLOOR PANEL AS SHOWN BELOW.
- EACH FLOOR PANEL HAS FACTORY INSTALLED ADJUSTABLE FEET. USE PROVIDED HEX DRIVER TO ADJUST EACH FOOT UNTIL PANEL IS LEVEL.

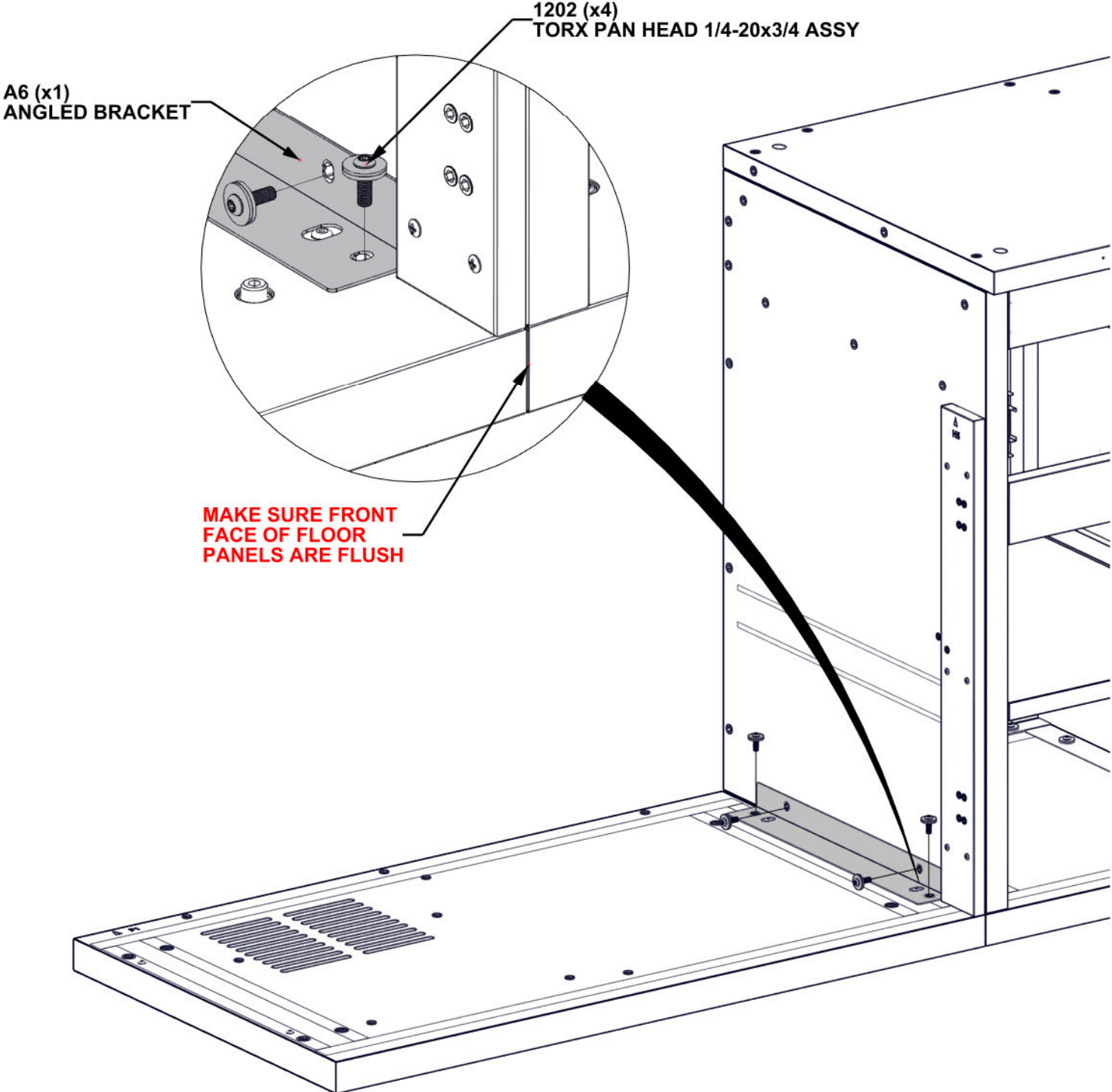


STEP 25B - CABINET ASSEMBLY

Qty	PartNo	Description
4	H101202	TORX PAN HEAD 1/4-20x3/4 ASSY

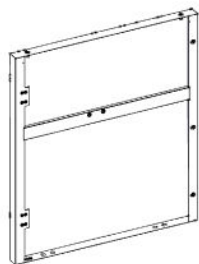


A6 ANGLED BRACKET - A4M03053
(x1) 1 3/8"x1 15/16"x17 1/8" (35x50x435)

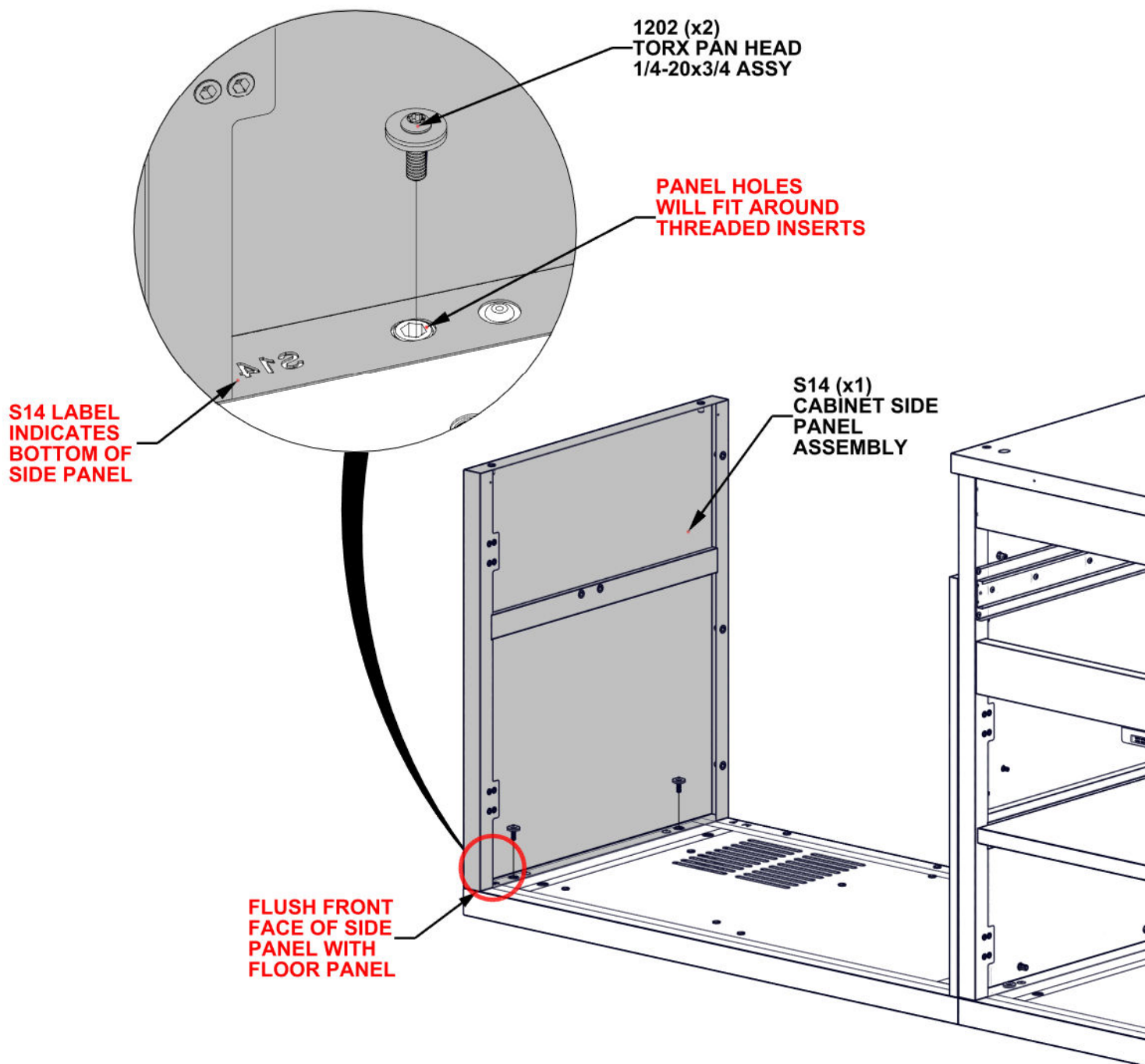


STEP 26 - CABINET ASSEMBLY

Qty	PartNo	Description
2	H101202	TORX PAN HEAD 1/4-20x3/4 ASSY

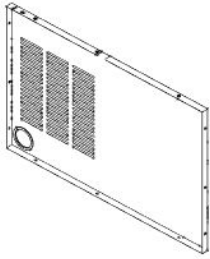


S14 CABINET SIDE PANEL ASSEMBLY - A4M04536
(x1) 26 9/16"x23 3/8"x1 3/8" (35x594x675)

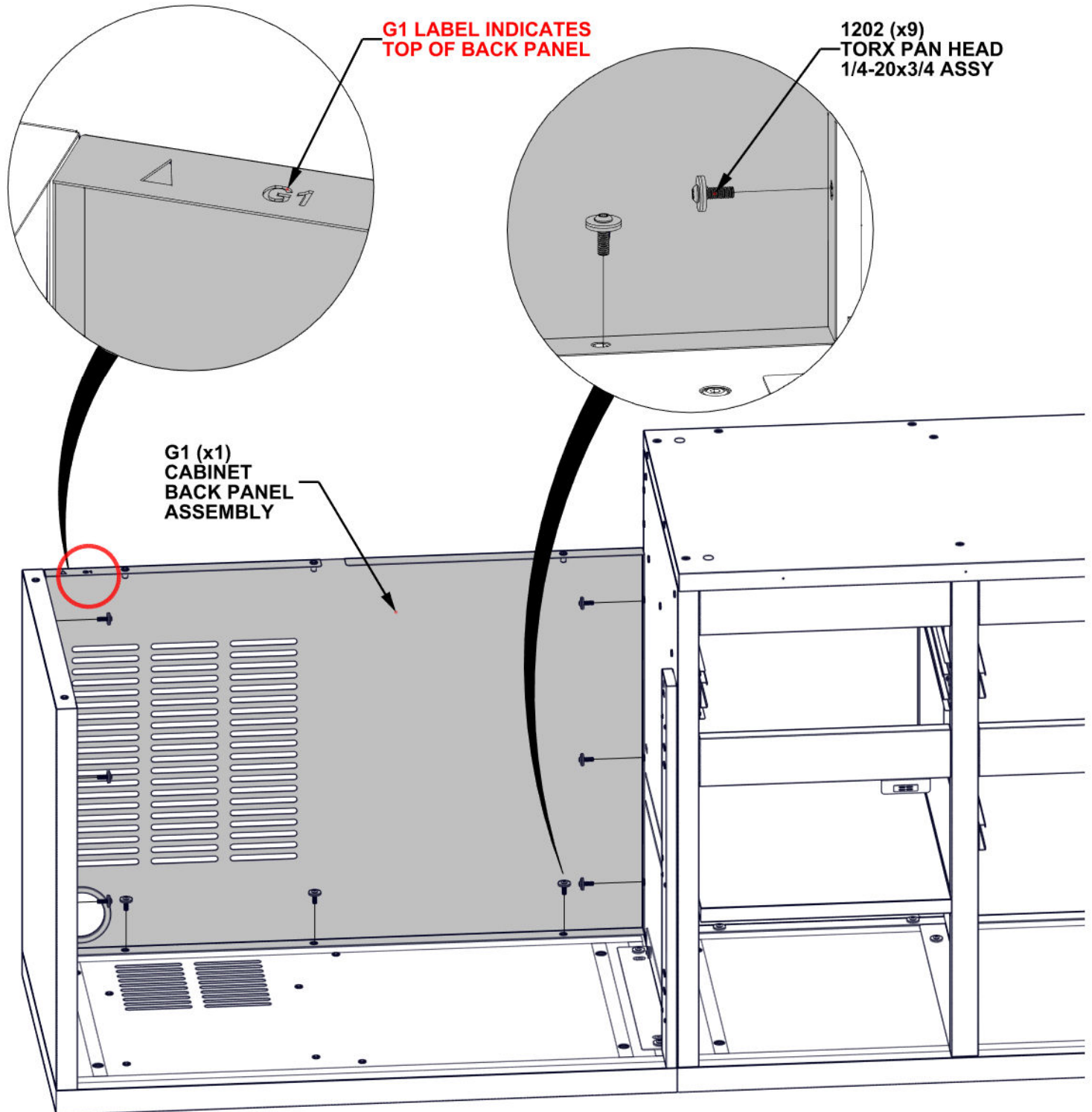


STEP 27 - CABINET ASSEMBLY

Qty	PartNo	Description
9	H101202	TORX PAN HEAD 1/4-20x3/4 ASSY

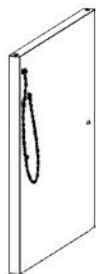


G1 CABINET BACK PANEL ASSEMBLY - A4M03542
 (x1) 38 3/4"x26 1/2"x1 3/16" (30x673.5x984)

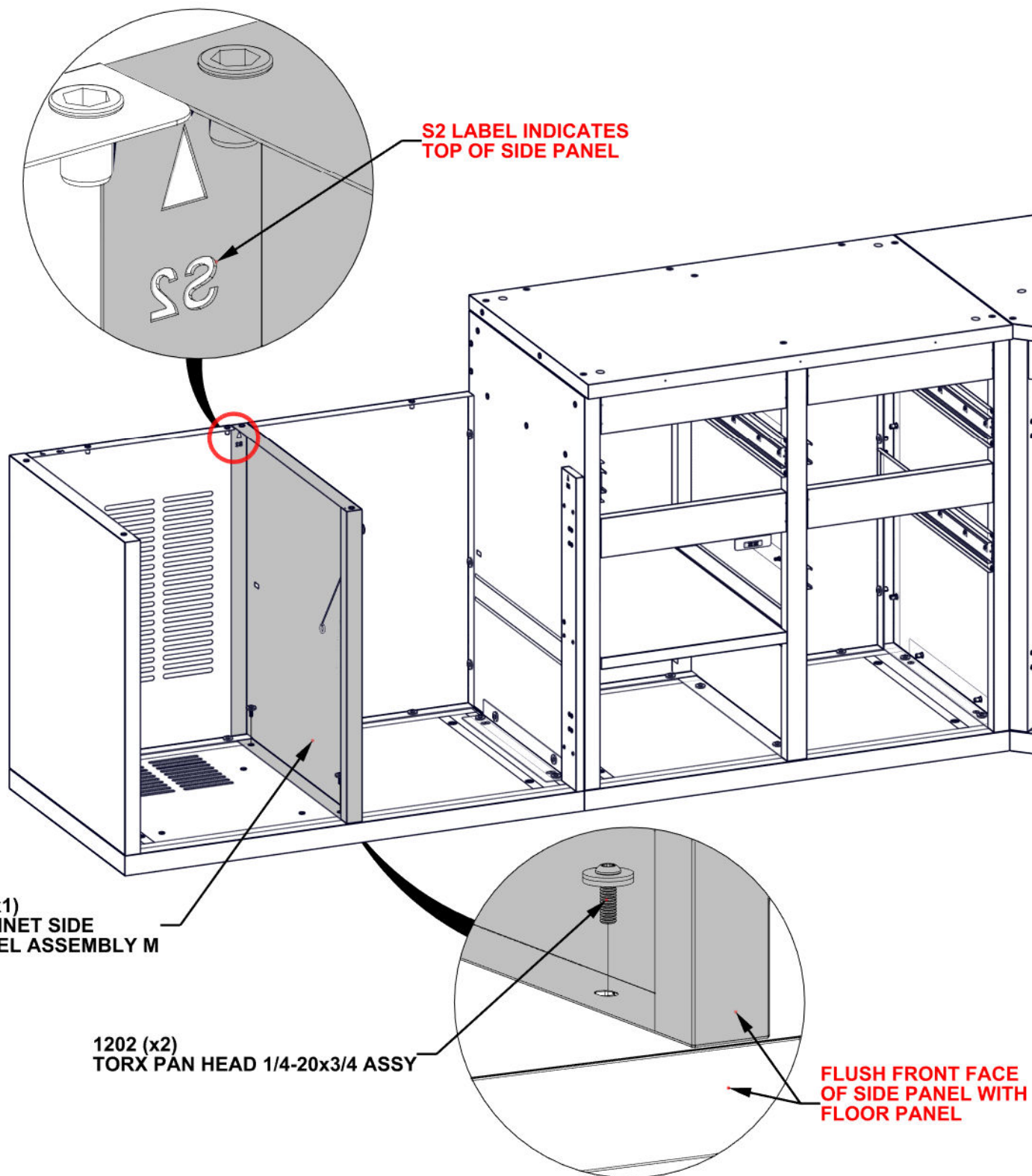


STEP 28 - CABINET ASSEMBLY

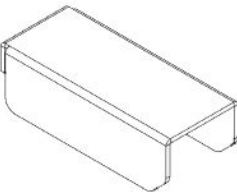
Qty	PartNo	Description
2	H101202	TORX PAN HEAD 1/4-20x3/4 ASSY



S2 CABINET SIDE PANEL ASSEMBLY M - A4M03545
 (x1) 26 1/2"x23 3/8"x1 3/8" (35x593x673.5)

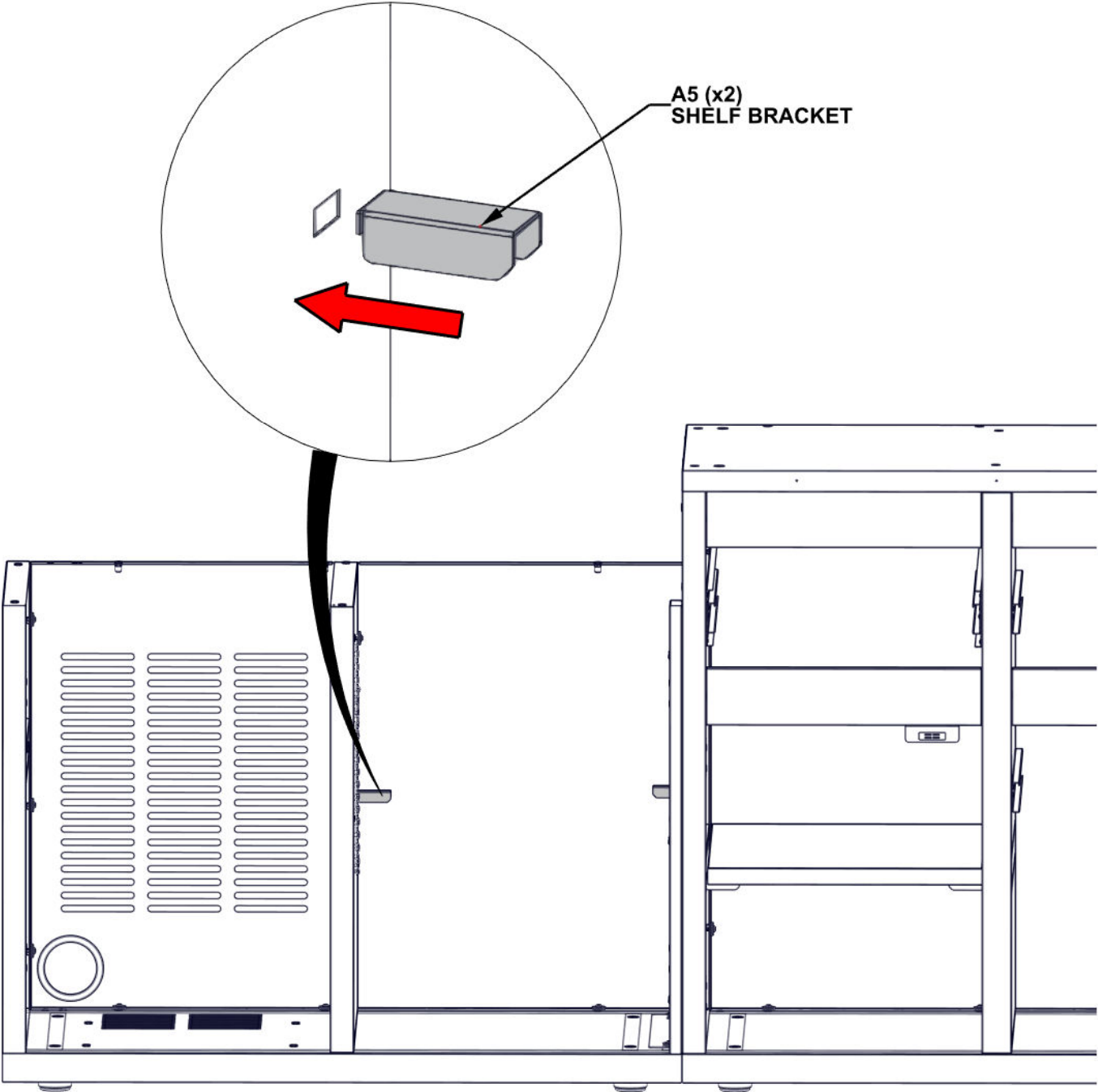


STEP 29A - CABINET ASSEMBLY



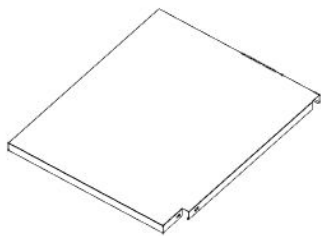
A5 SHELF BRACKET - A4M03141
(x2) 5/8"x7/8"x2 1/16" (16x22x53)

- ATTACH SHELF BRACKETS ON BOTH SIDES OF CENTER CABINET.

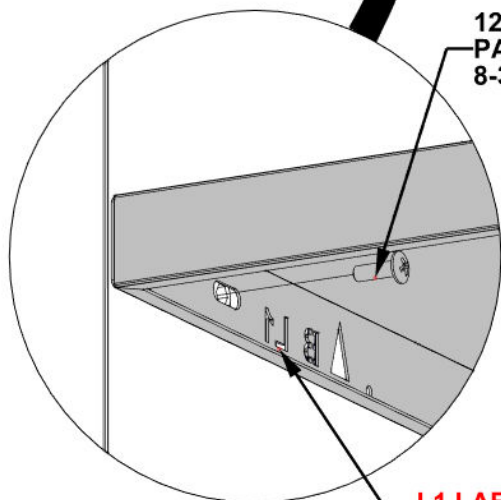
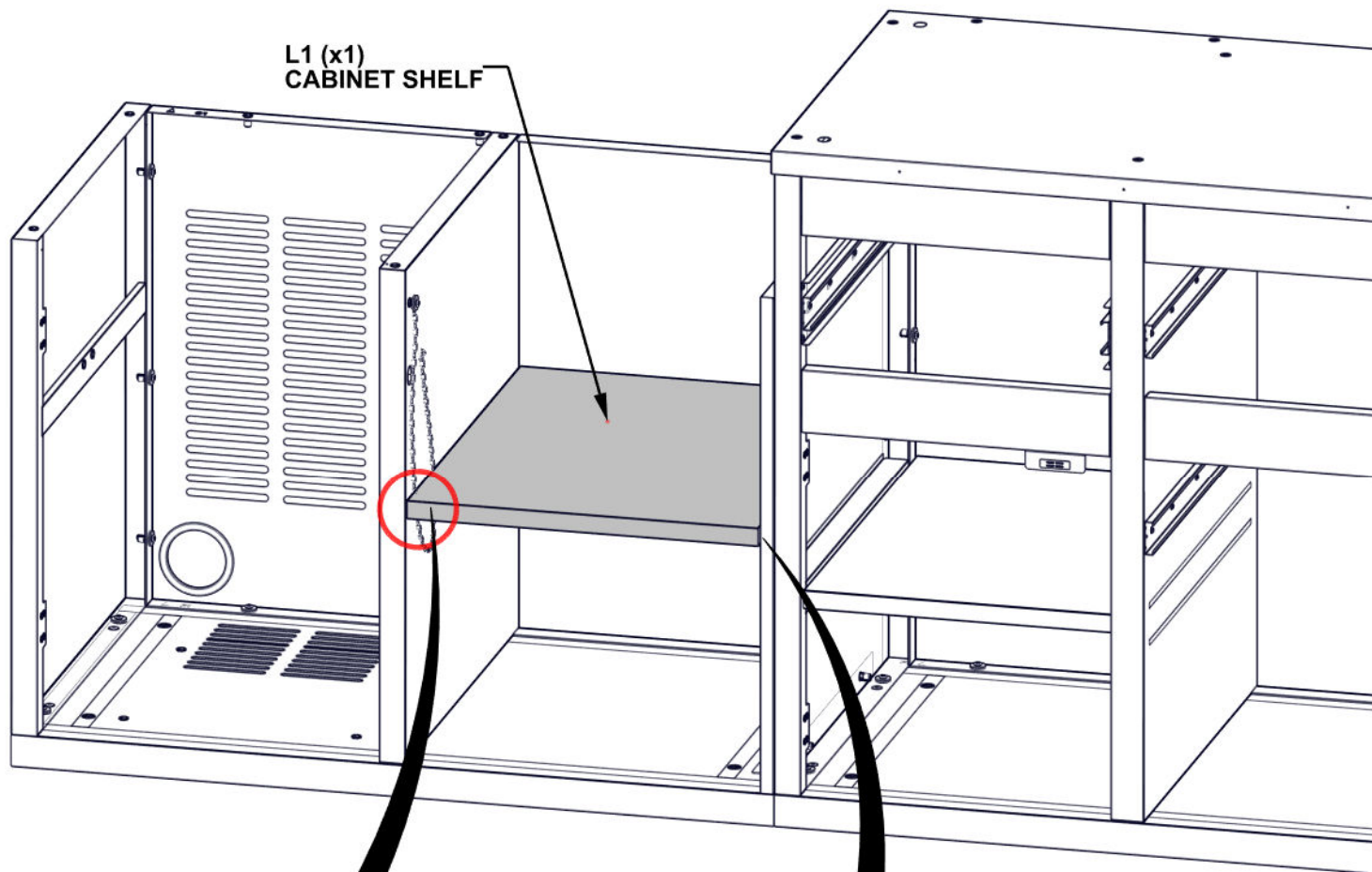


STEP 29B - CABINET ASSEMBLY

Qty	PartNo	Description
3	H101289	PAN HEAD SCREW 8-32x1/2" SS

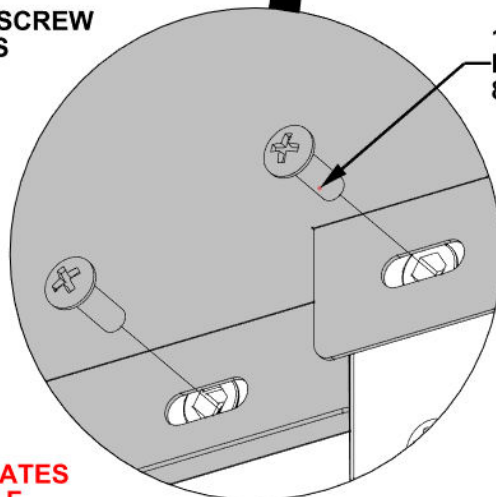


L1 CABINET SHELF - A4M03548
(x1) 23 1/4"x19 5/16"x1" (25.00x490.50x591.00)



1289 (x1)
PAN HEAD SCREW
8-32x1/2" SS

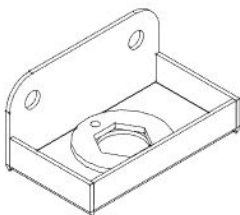
**L1 LABEL INDICATES
FRONT OF SHELF**



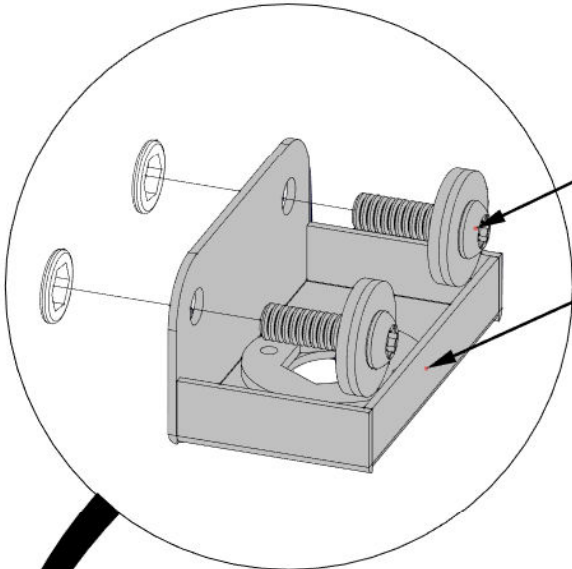
1289 (x2)
PAN HEAD SCREW
8-32x1/2" SS

STEP 30 - CABINET ASSEMBLY

Qty	PartNo	Description
2	H101202	TORX PAN HEAD 1/4-20x3/4 ASSY

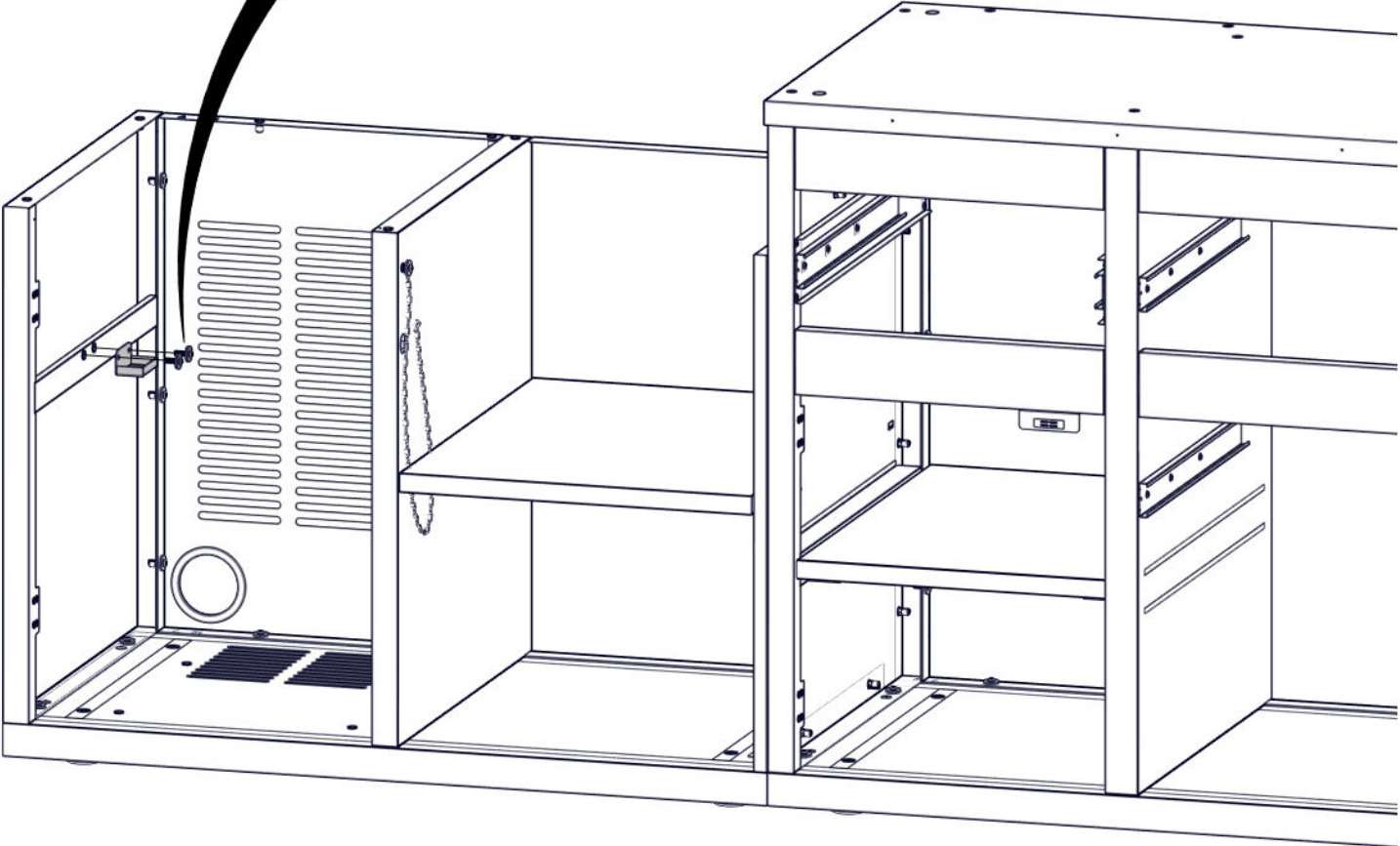


A9 HOSE BRACKET ASSEMBLY - A4M03060
(x1) 1 1/4"x1 7/16"x2 9/16" (31.5x36.5x65)



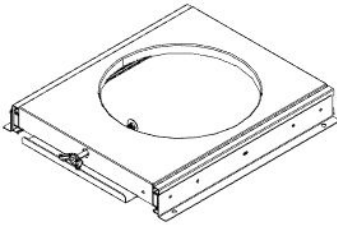
1202 (x2)
TORX PAN HEAD 1/4-20x3/4 ASSY

A9 (x1)
HOSE BRACKET ASSEMBLY

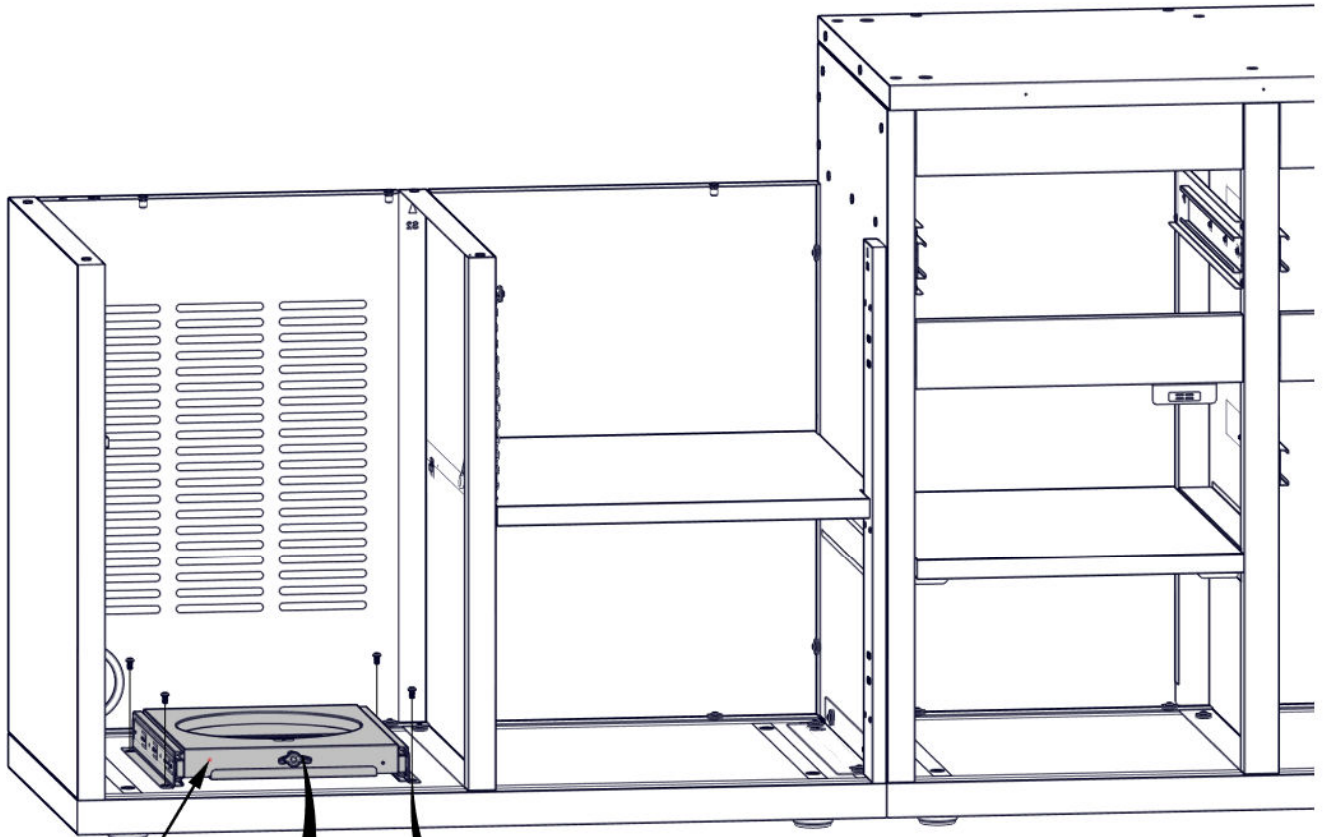


STEP 31 - CABINET ASSEMBLY

Qty	PartNo	Description
4	H101292	TORX PAN HEAD 1/4-20x13/32"

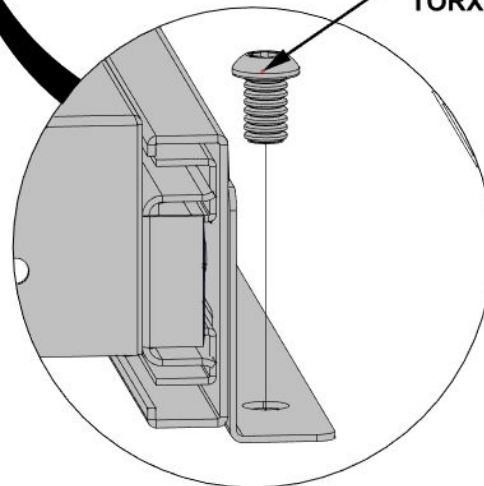
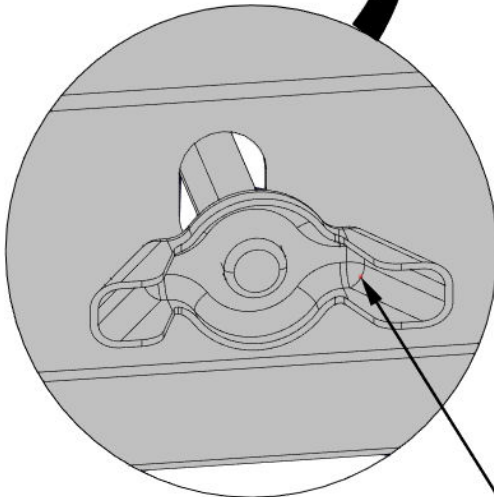


A13 GAS TANK HOLDER ASSEMBLY - A4M03047
(x1) 1 15/16"x12 7/8"x14 3/4" (49x327x374)



A13 (x1)
GAS TANK HOLDER
ASSEMBLY

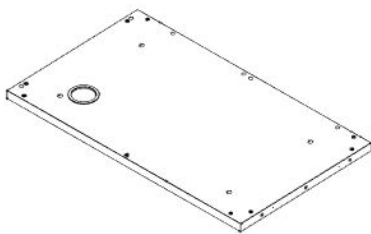
1292 (x4)
TORX PAN HEAD 1/4-20x13/32"



NOTE ORIENTATION OF
WING NUT TOWARDS FRONT

STEP 32A - CABINET ASSEMBLY

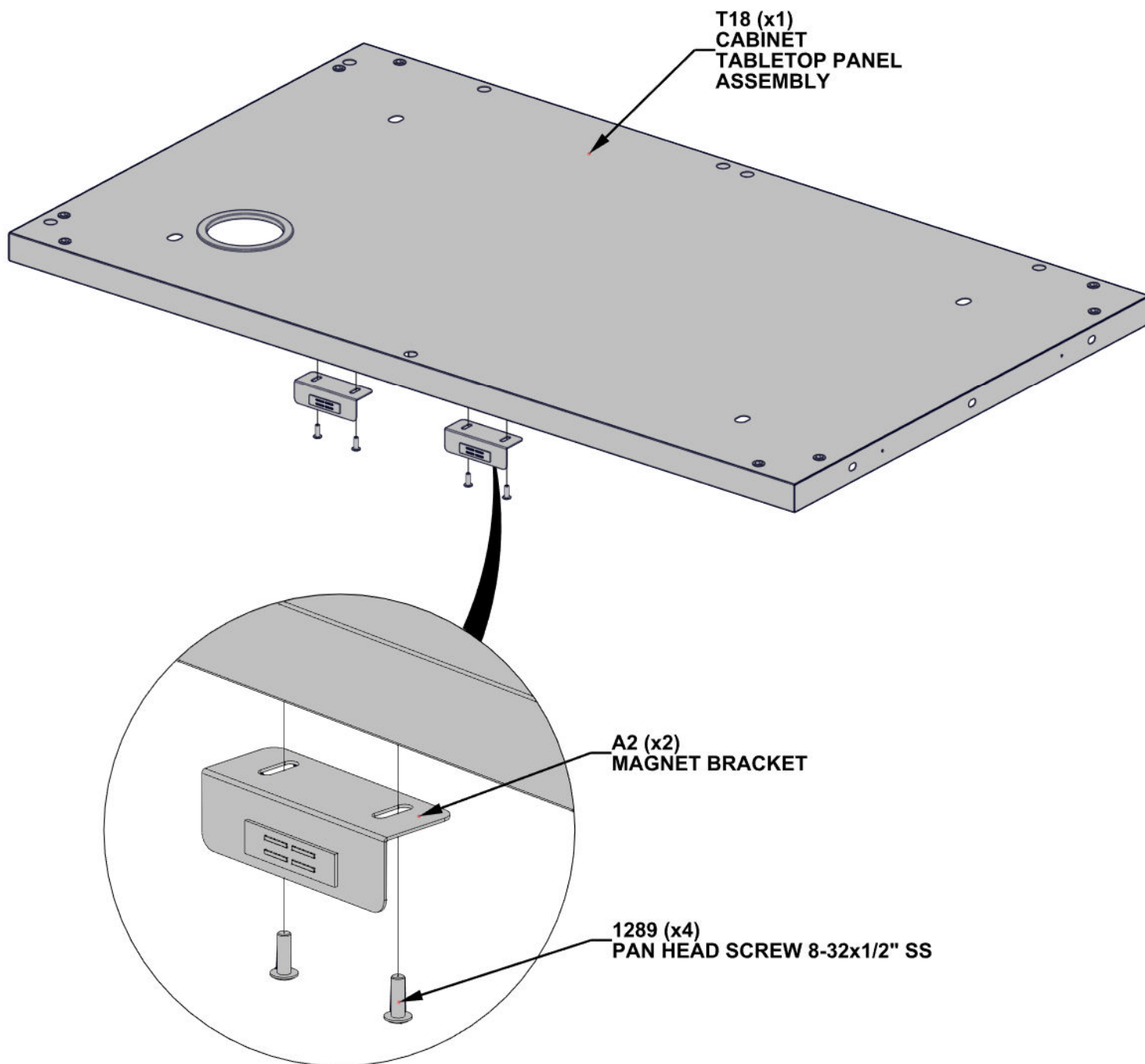
Qty	PartNo	Description
4	H101289	PAN HEAD SCREW 8-32x1/2" SS



T18 CABINET TABLETOP PANEL ASSEMBLY - A4M04855
 (x1) 40 3/16"x23 3/8"x1 1/4" (32x594x1020)

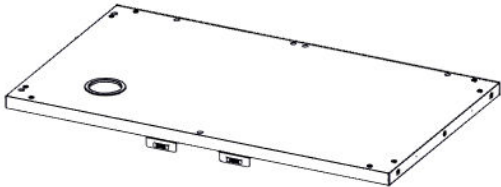


A2 MAGNET BRACKET - A4M03026
 (x2) 1"x1 1/4"x3 1/8" (25x31x80)



STEP 32B - CABINET ASSEMBLY

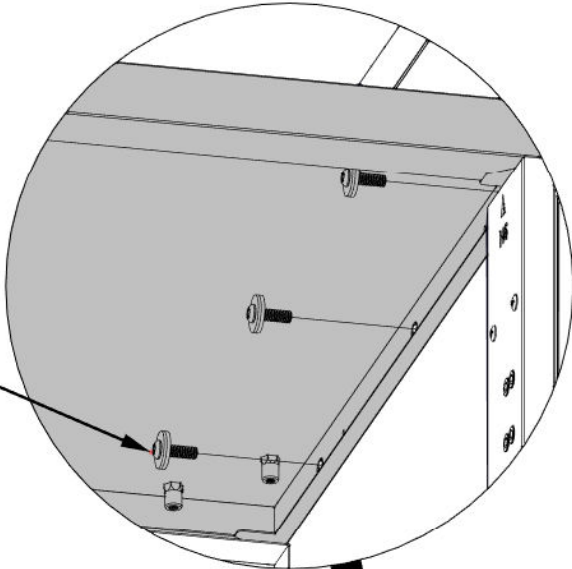
Qty	PartNo	Description
3	H101202	TORX PAN HEAD 1/4-20x3/4 ASSY



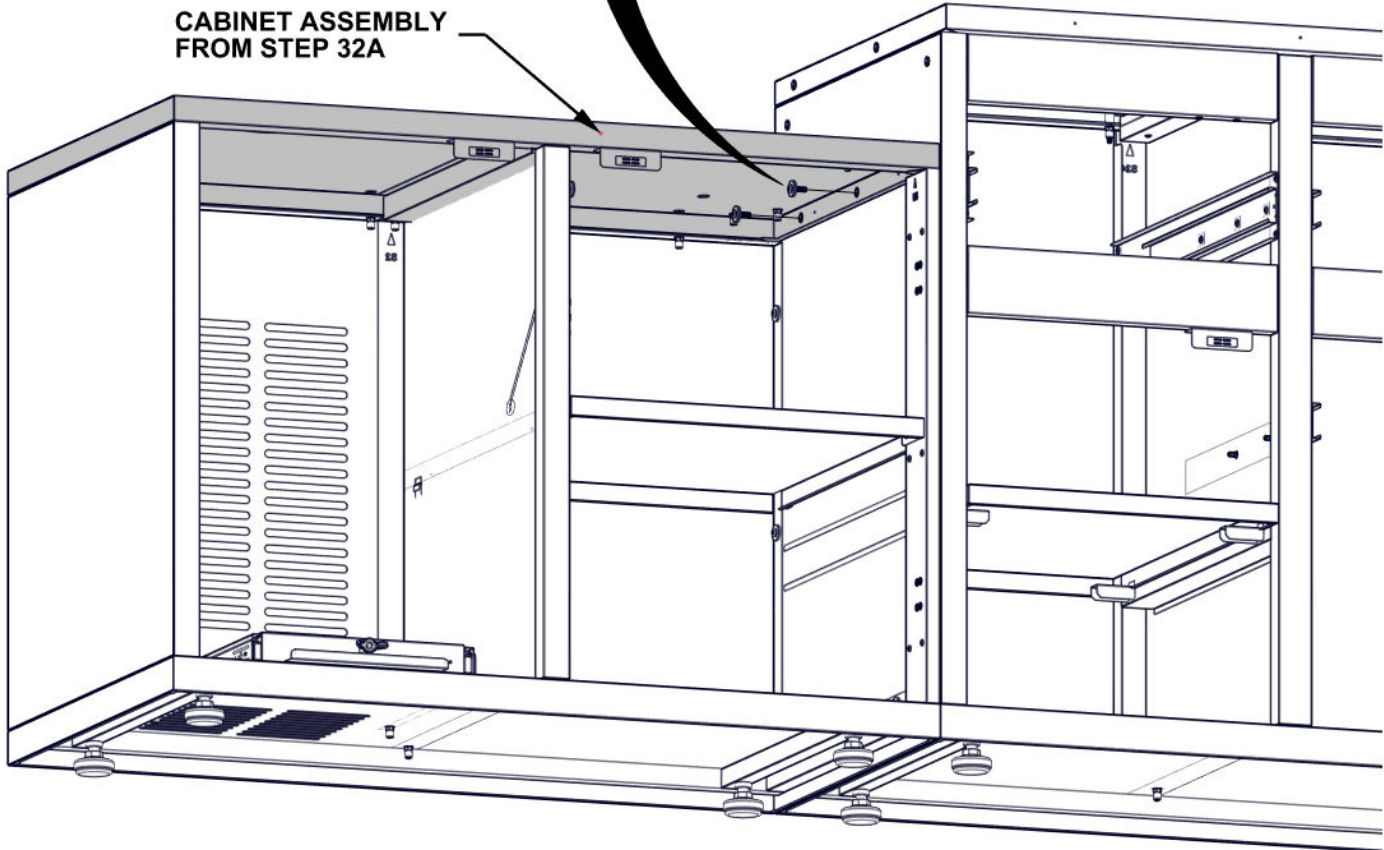
CABINET ASSEMBLY FROM STEP 32A

- HARDWARE ATTACHES ON INSIDE OF CABINET

1202 (x3)
TORX PAN HEAD
1/4-20x3/4 ASSY



CABINET ASSEMBLY
FROM STEP 32A

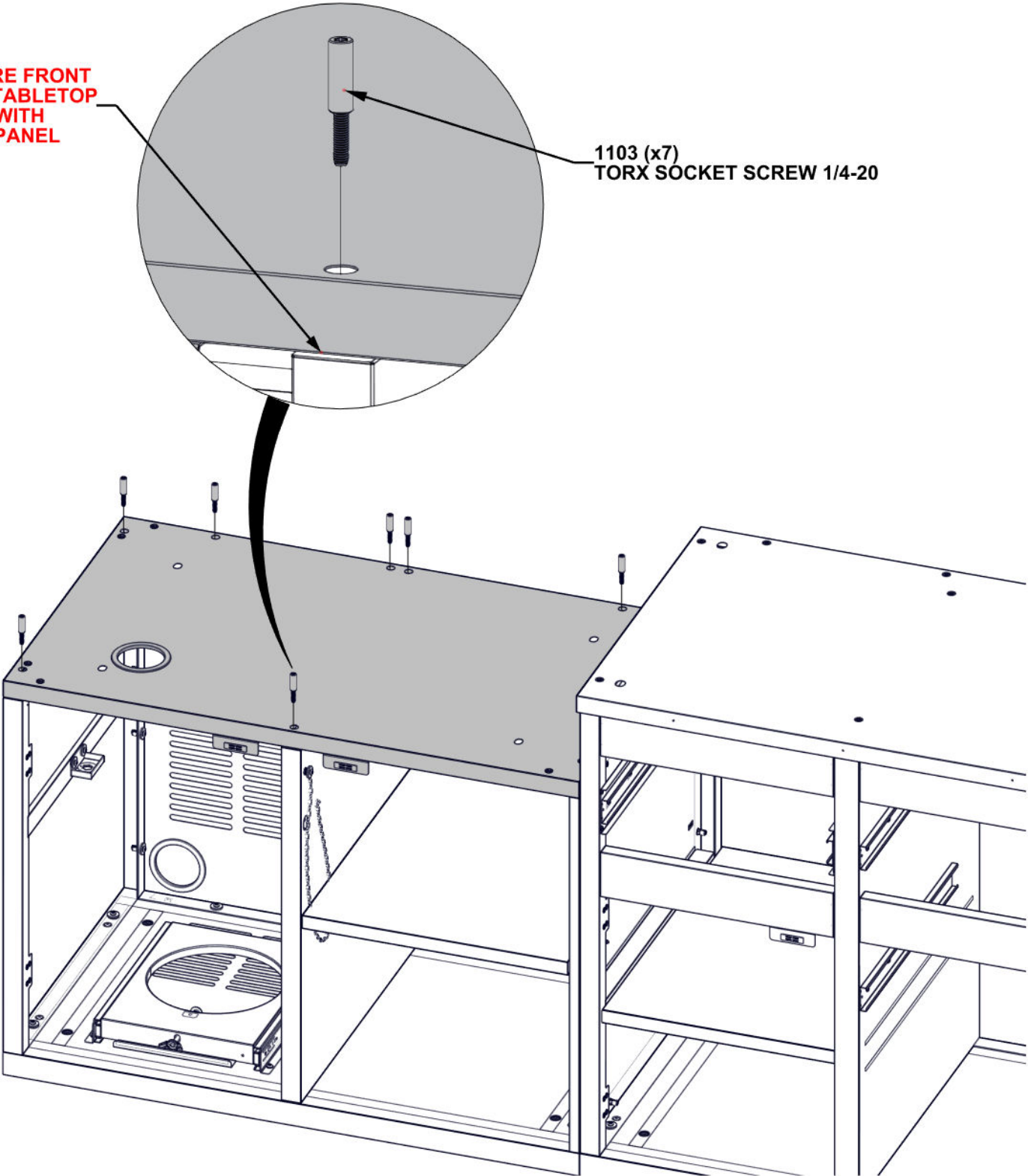


STEP 32C - CABINET ASSEMBLY

Qty	PartNo	Description
7	H101103	TORX SOCKET SCREW 1/4-20

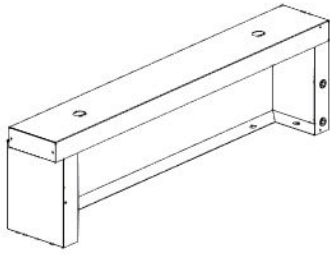
**MAKE SURE FRONT
FACE OF TABLETOP
IS FLUSH WITH
UPRIGHT PANEL**

**1103 (x7)
TORX SOCKET SCREW 1/4-20**

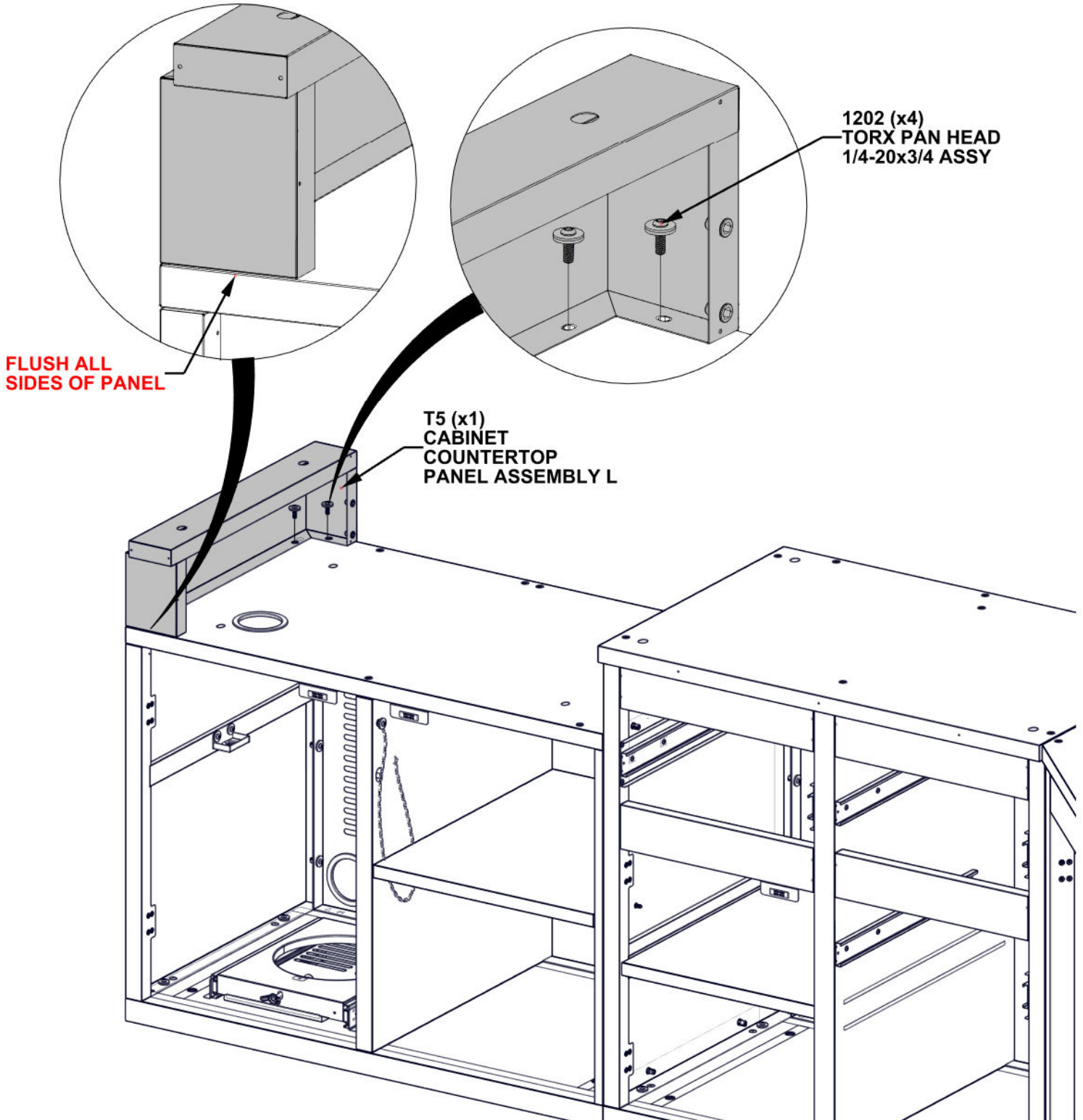


STEP 33A - CABINET ASSEMBLY

Qty	PartNo	Description
4	H101202	TORX PAN HEAD 1/4-20x3/4 ASSY

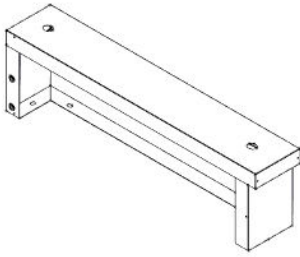


T5 CABINET COUNTERTOP PANEL ASSEMBLY L - A4M04537
 (x1) 24 1/8"x4 5/16"x6 3/4" (109x172.2x612)

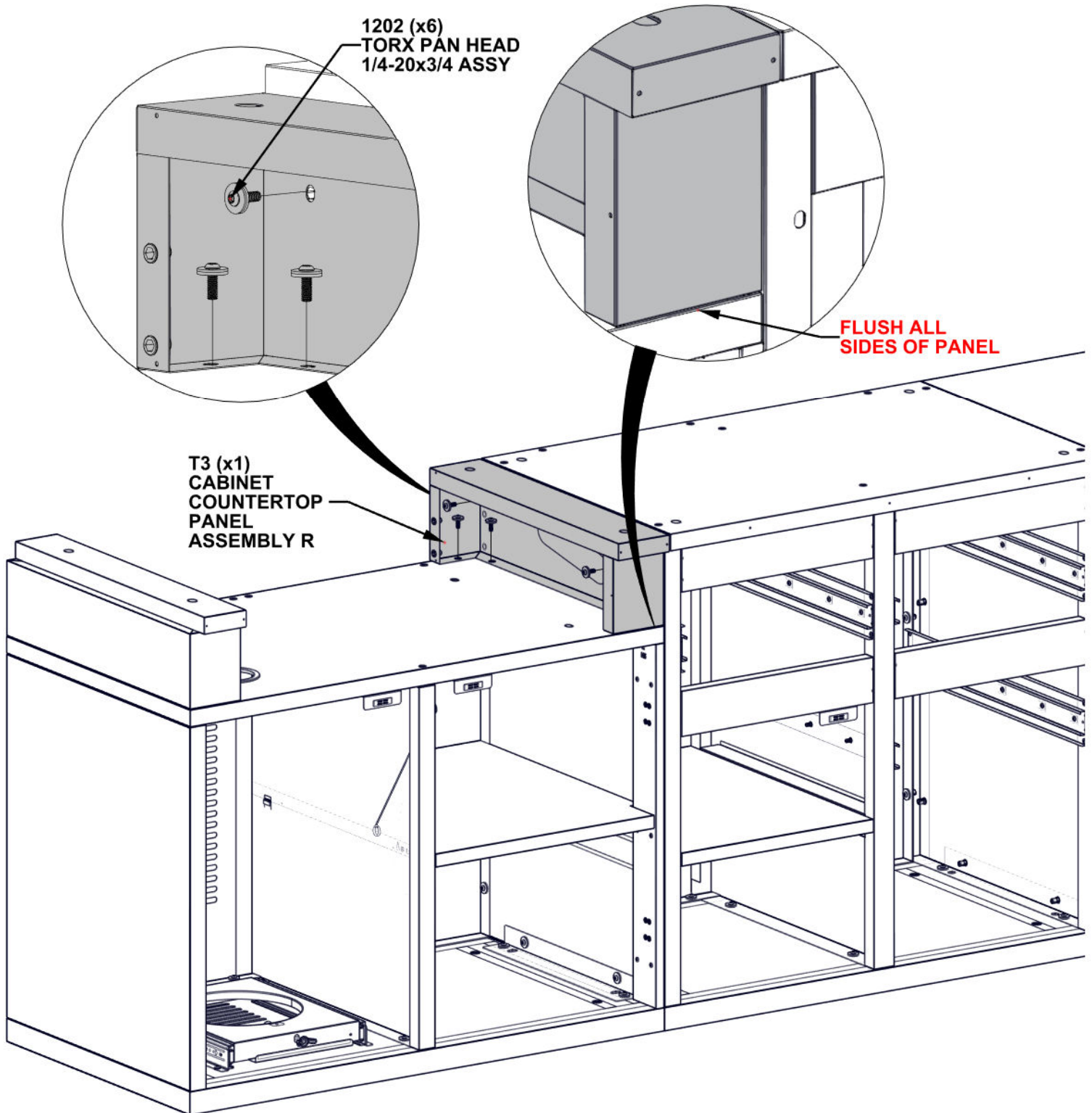


STEP 33B - CABINET ASSEMBLY

Qty	PartNo	Description
6	H101202	TORX PAN HEAD 1/4-20x3/4 ASSY

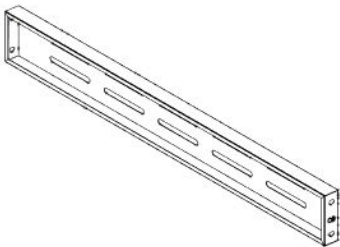


T3 CABINET COUNTERTOP PANEL ASSEMBLY R - A4M03551
 (x1) 612x4 5/16"x6 3/4" (109x172.2x612)



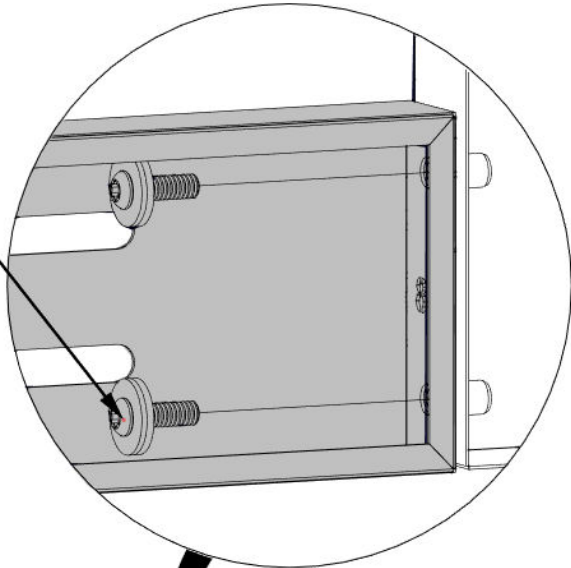
STEP 34 - CABINET ASSEMBLY

Qty	PartNo	Description
4	H101202	TORX PAN HEAD 1/4-20x3/4 ASSY

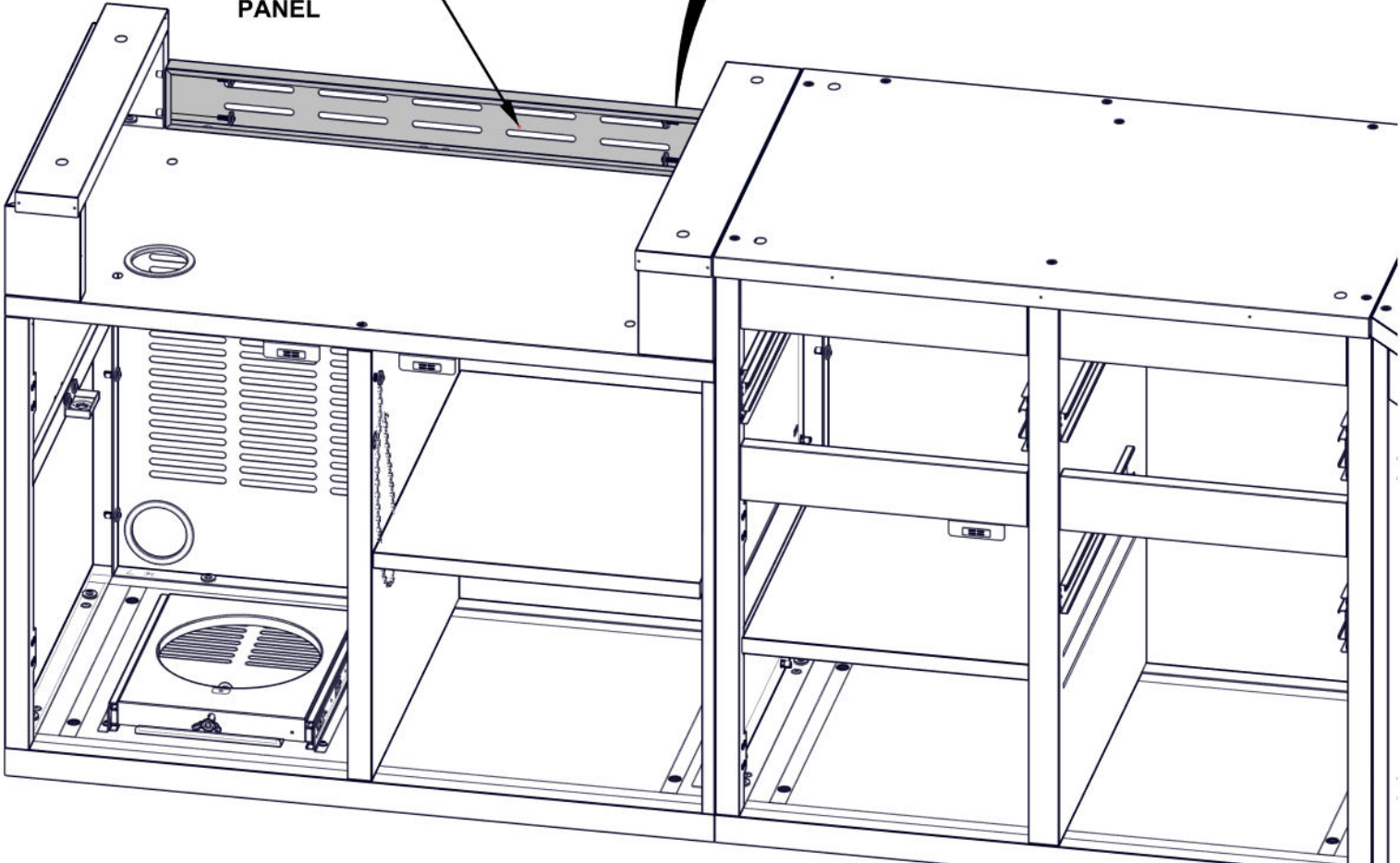


O8 VENTILATION PANEL - A4M03078
(x1) 1 3/16"x3 3/4"x31 7/16" (30x95x798)

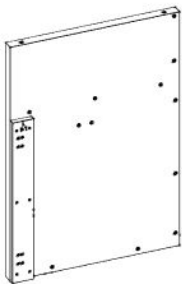
1202 (x4)
TORX PAN HEAD 1/4-20x3/4 ASSY



O8 (x1)
VENTILATION
PANEL



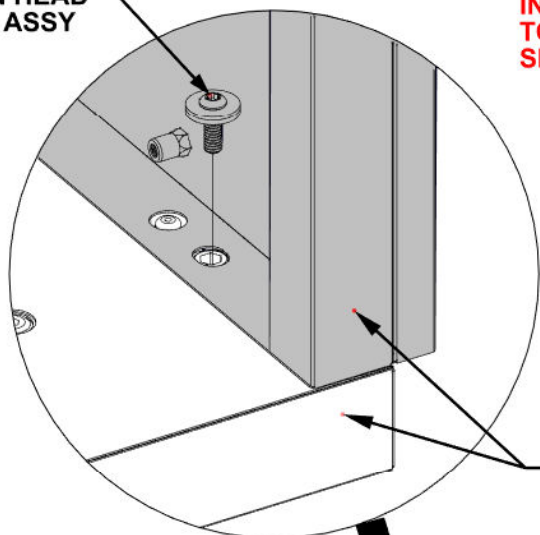
STEP 35 - FRIDGE CABINET ASSEMBLY



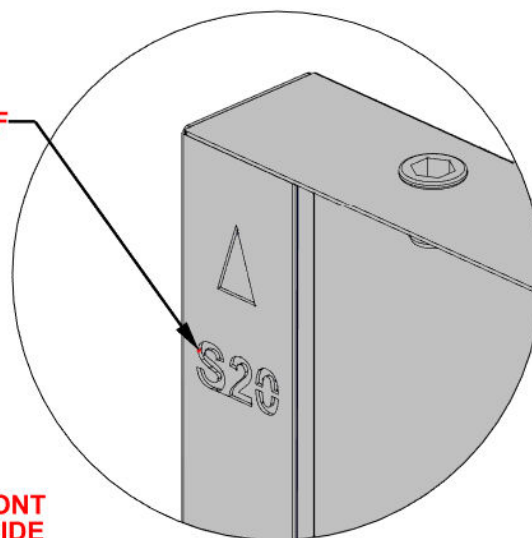
Qty	PartNo	Description
2	H101202	TORX PAN HEAD 1/4-20x3/4 ASSY

S20 CABINET SIDE PANEL ASSEMBLY R - A4M04669
 (x1) 33 3/8"x23 3/8"x2 1/16" (53.00x594x848.20)

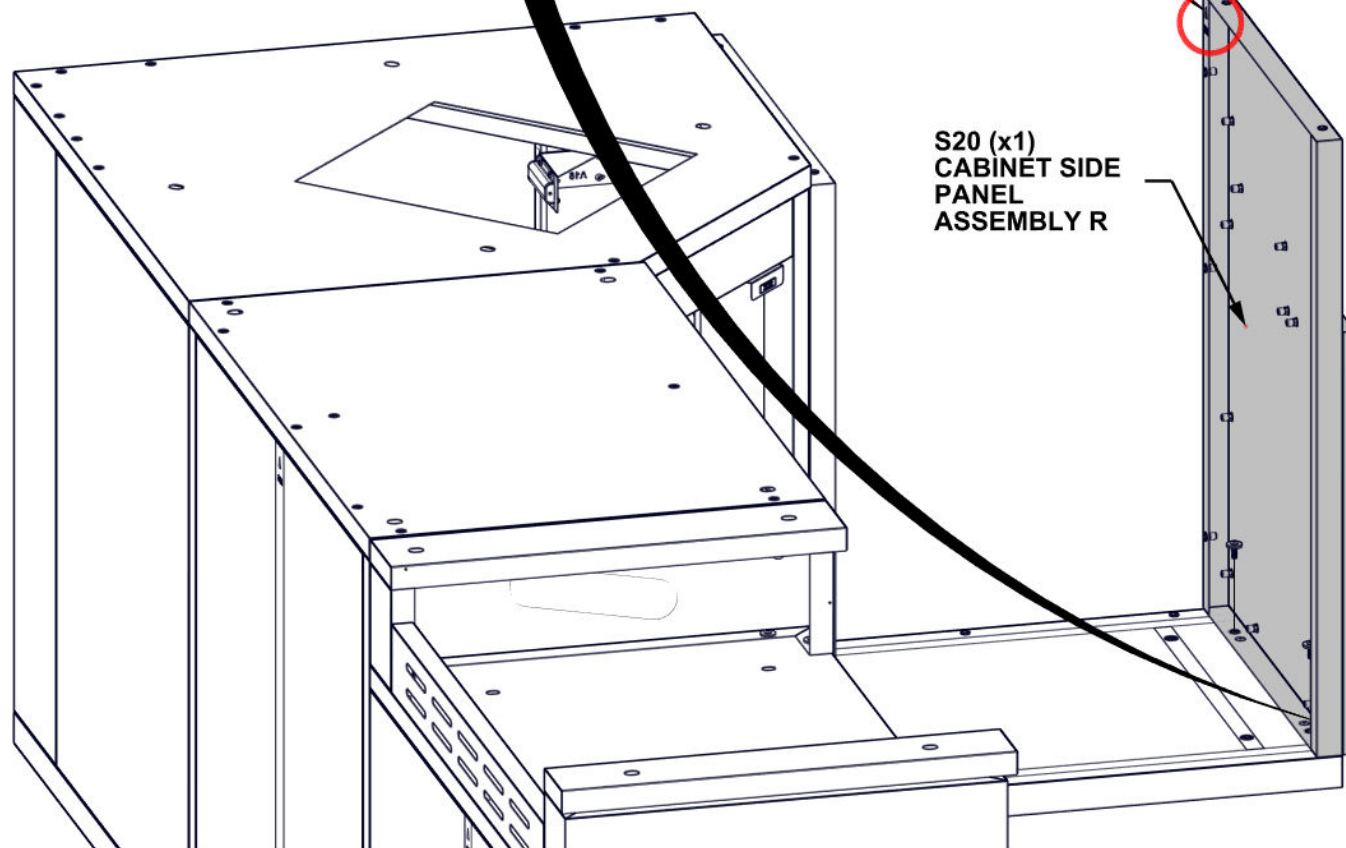
1202 (x2)
 TORX PAN HEAD
 1/4-20x3/4 ASSY



S20 LABEL
 INDICATES
 TOP BACK OF
 SIDE PANEL

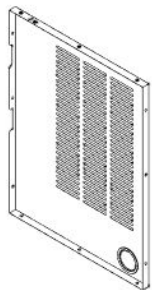


FLUSH FRONT
 FACE OF SIDE
 PANEL WITH
 FLOOR PANEL



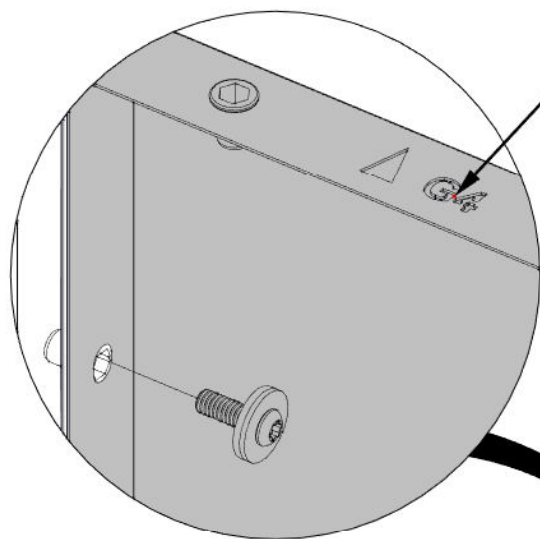
S20 (x1)
 CABINET SIDE
 PANEL
 ASSEMBLY R

STEP 36 - FRIDGE CABINET ASSEMBLY



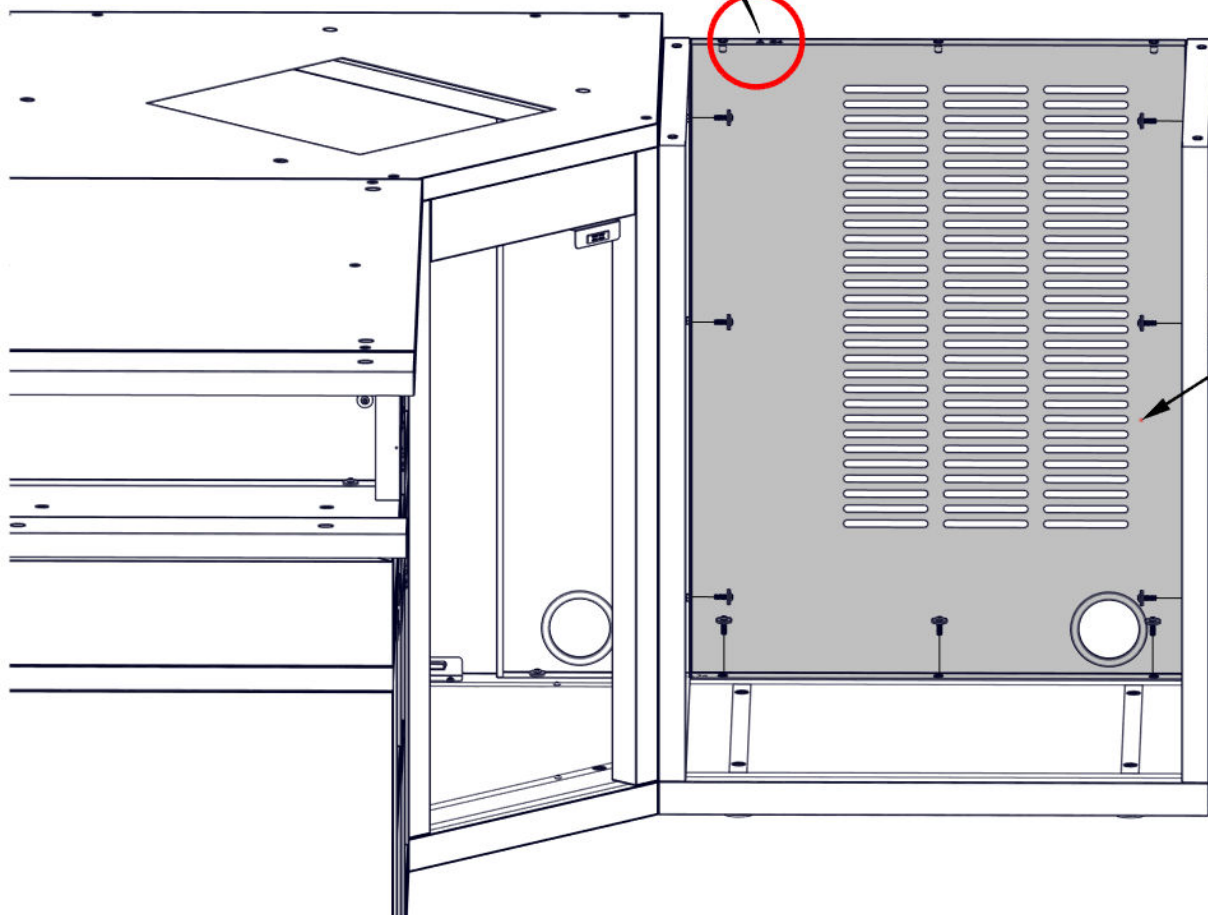
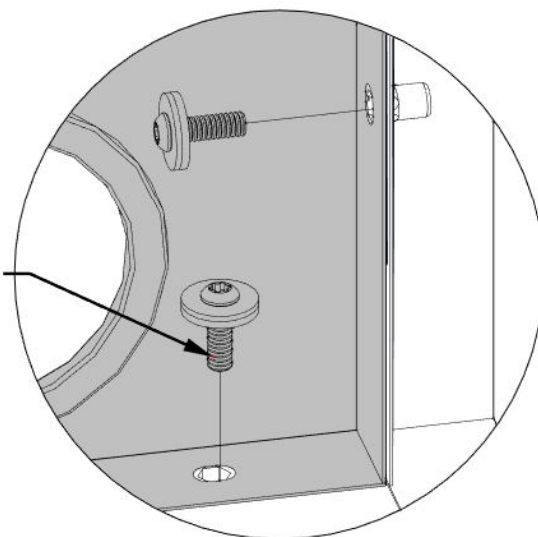
Qty	PartNo	Description
9	H101202	TORX PAN HEAD 1/4-20x3/4 ASSY

G4 CABINET BACK PANEL ASSEMBLY - A4M03599
(x1) 25 5/16"x33 3/8"x1 3/16" (30x847.2x643)



**G4 LABEL INDICATES
TOP OF BACK PANEL**

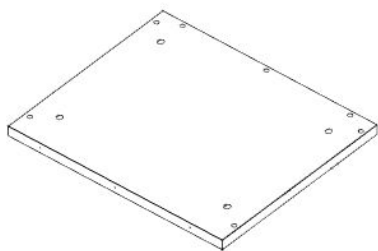
**1202 (x9)
TORX PAN HEAD
1/4-20x3/4 ASSY**



**G4 (x1)
CABINET BACK
PANEL
ASSEMBLY**

STEP 37 - FRIDGE CABINET ASSEMBLY

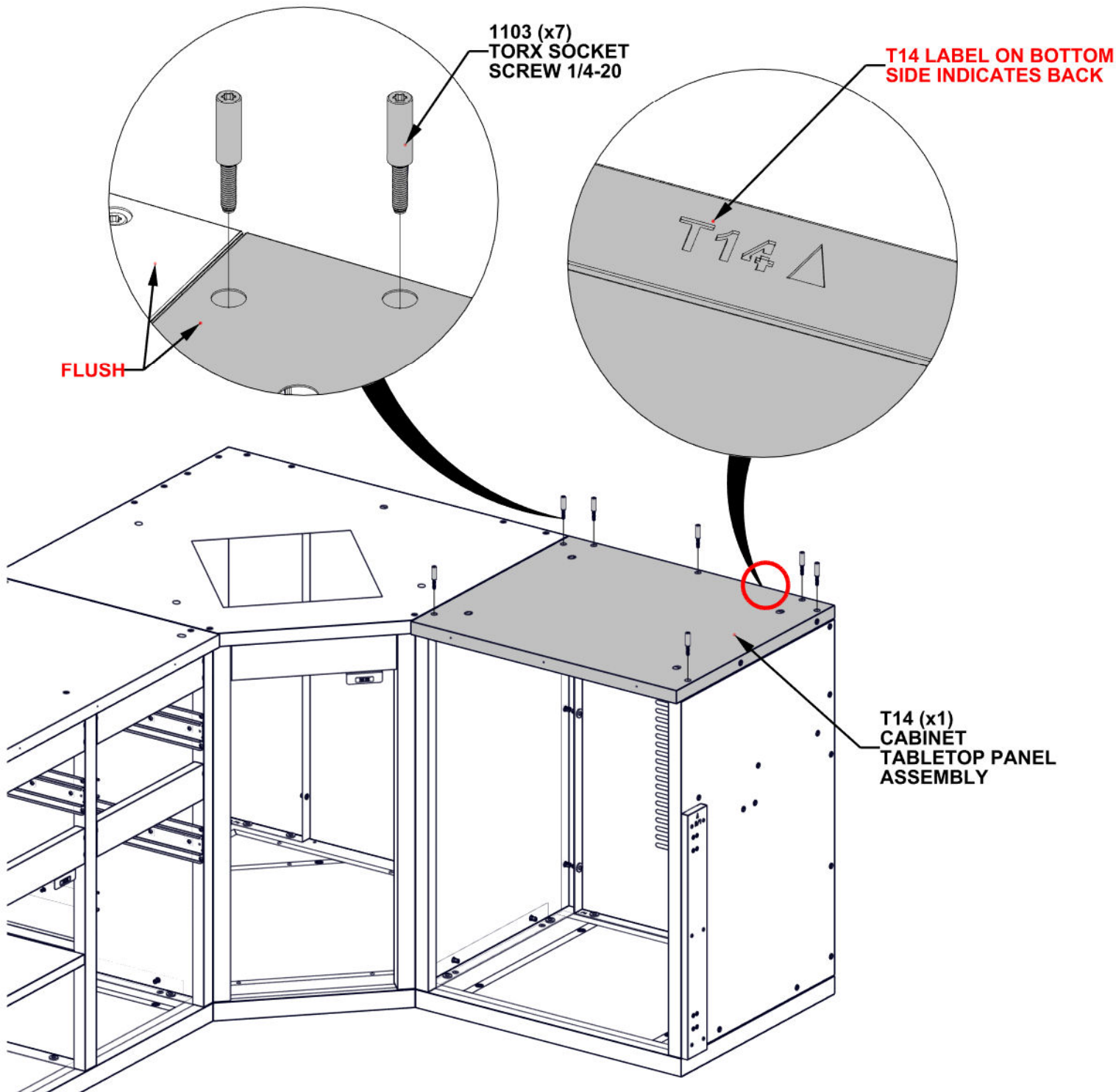
Qty	PartNo	Description
7	H101103	TORX SOCKET SCREW 1/4-20



T14 CABINET TABLETOP PANEL ASSEMBLY - A4M04701
(x1) 28 1/8"x24 1/8"x1 1/4" (32x612x715)

- FLUSH BACK AND SIDES OF PANEL ASSEMBLY.

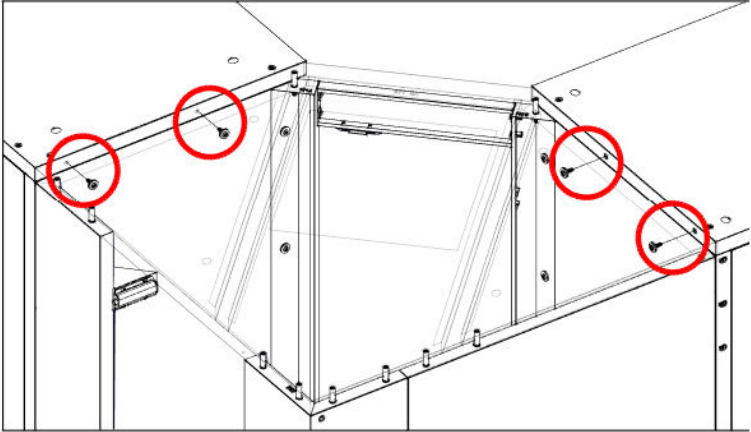
- SQUARE ALL SIDES OF CABINET BEFORE TIGHTENING HARDWARE.



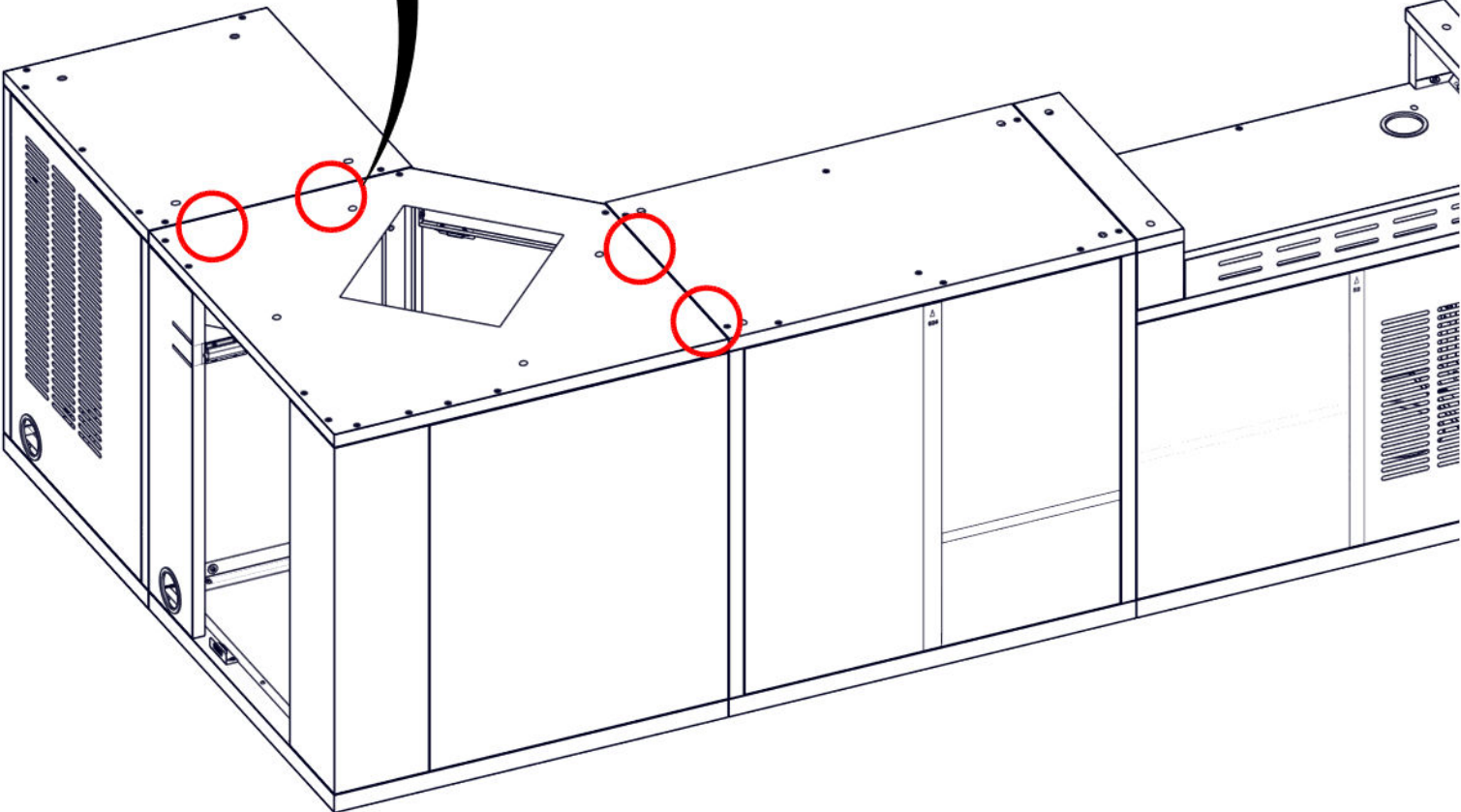
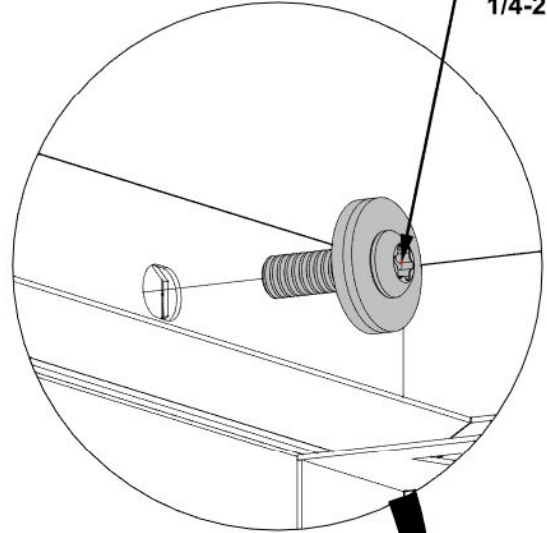
STEP 38- CONNECT TABLETOPS

Qty	PartNo	Description
4	H101202	TORX PAN HEAD 1/4-20x3/4 ASSY

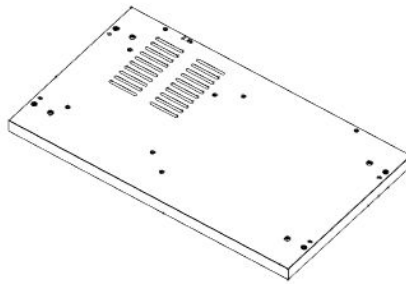
1202 (x4)
TORX PAN HEAD
1/4-20x3/4 ASSY



SCREW LOCATION

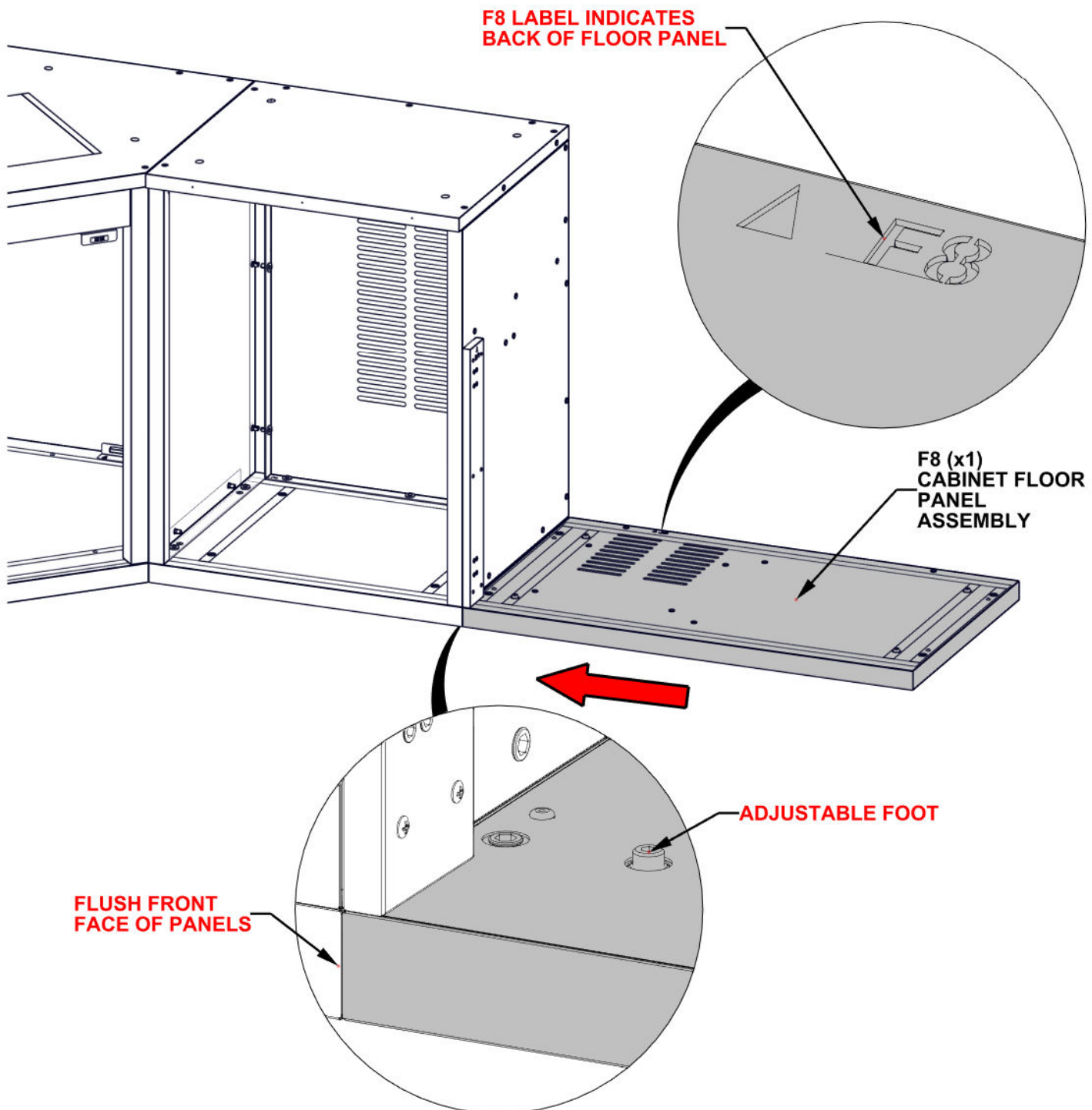


STEP 39A- CABINET ASSEMBLY



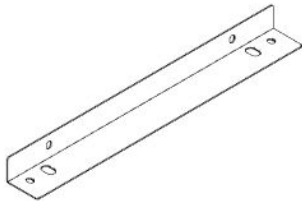
F8 CABINET FLOOR PANEL ASSEMBLY - A4M04664
(x1) 2 5/8"x23 3/8"x40 3/8" (66x594x1025)

- POSITION FLOOR PANEL AS SHOWN BELOW.
- EACH FLOOR PANEL HAS FACTORY INSTALLED ADJUSTABLE FEET. USE PROVIDED HEX DRIVER TO ADJUST EACH FOOT UNTIL PANEL IS LEVEL.

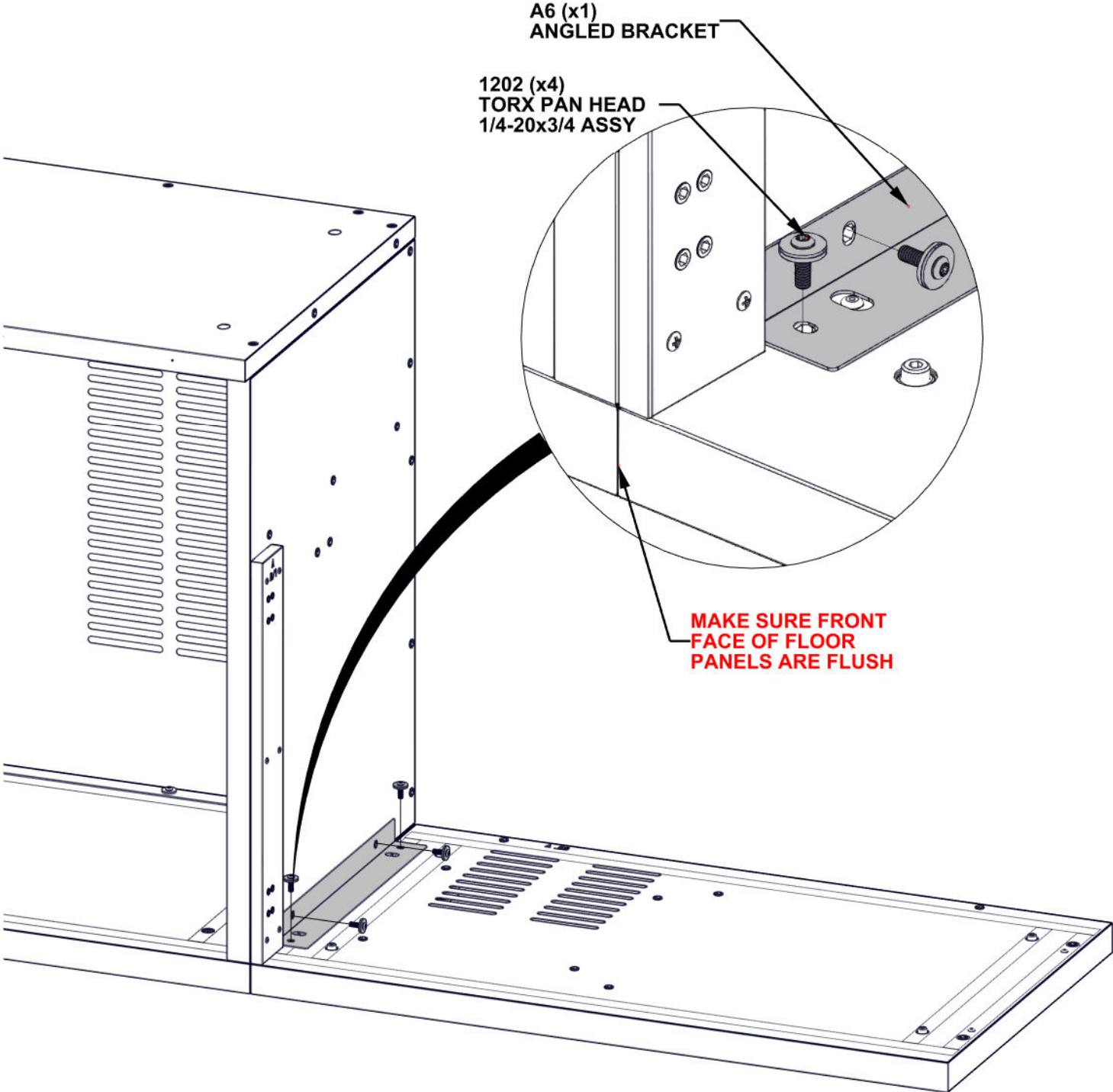


STEP 39B- CABINET ASSEMBLY

Qty	PartNo	Description
4	H101202	TORX PAN HEAD 1/4-20x3/4 ASSY

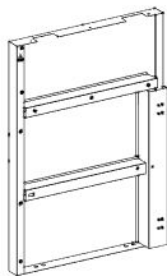


A6 ANGLED BRACKET - A4M03053
(x1) 1 3/8"x1 15/16"x17 1/8" (35x50x435)

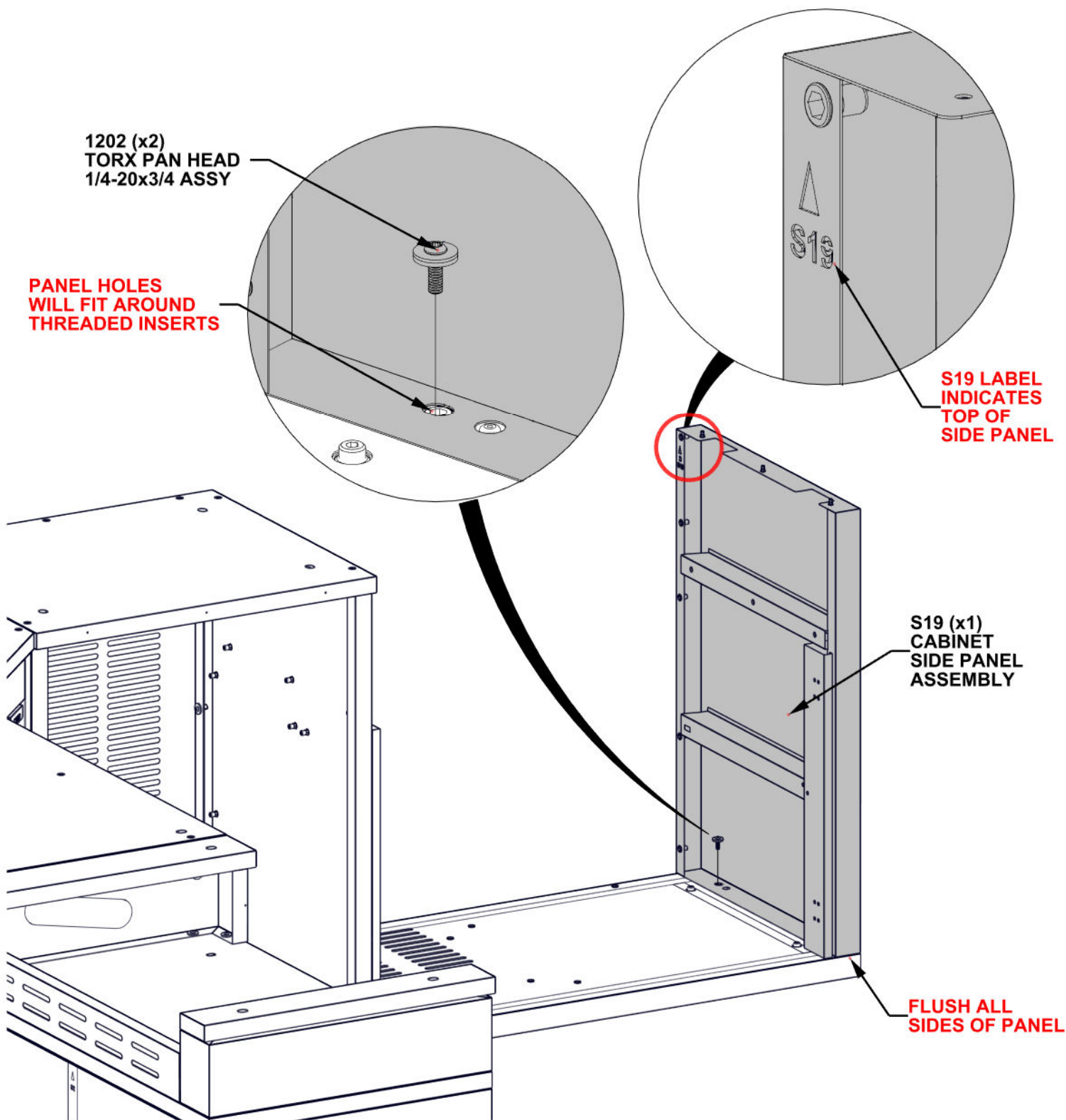


STEP 40- CABINET ASSEMBLY

Qty	PartNo	Description
2	H101202	TORX PAN HEAD 1/4-20x3/4 ASSY

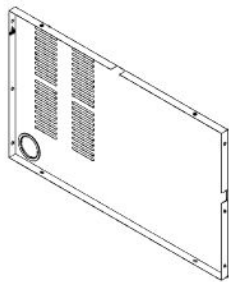


S19 CABINET SIDE PANEL ASSEMBLY - A4M04667
 (x1) 33 7/16"x23 3/8"x2 13/16" (71.00x594x849.00)

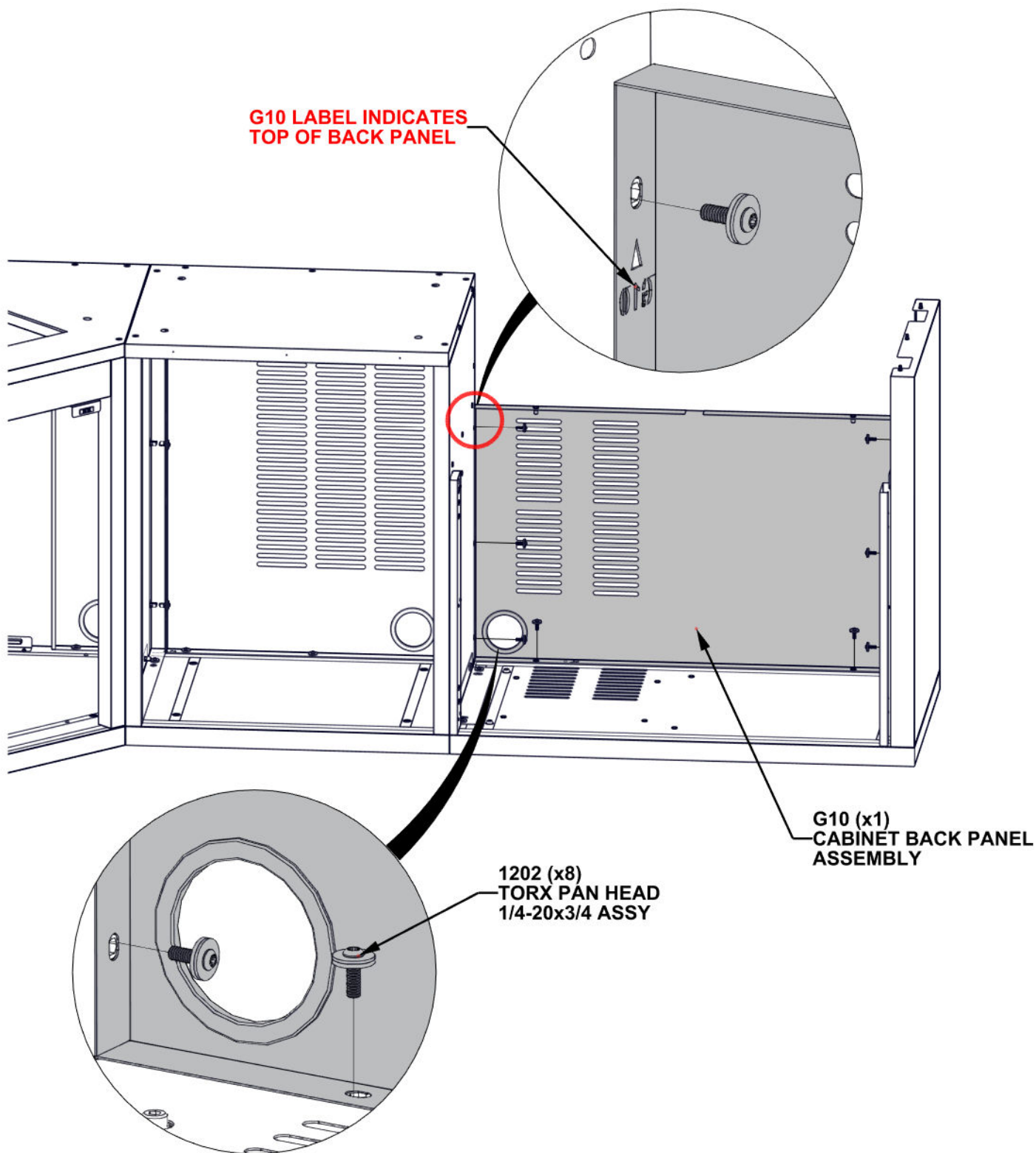


STEP 41- CABINET ASSEMBLY

Qty	PartNo	Description
8	H101202	TORX PAN HEAD 1/4-20x3/4 ASSY

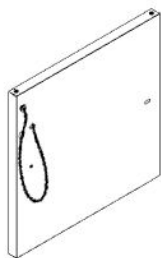


G10 CABINET BACK PANEL ASSEMBLY - A4M03055
 (x1) 1 3/16"x22 7/8"x38 3/16" (30x581x970)

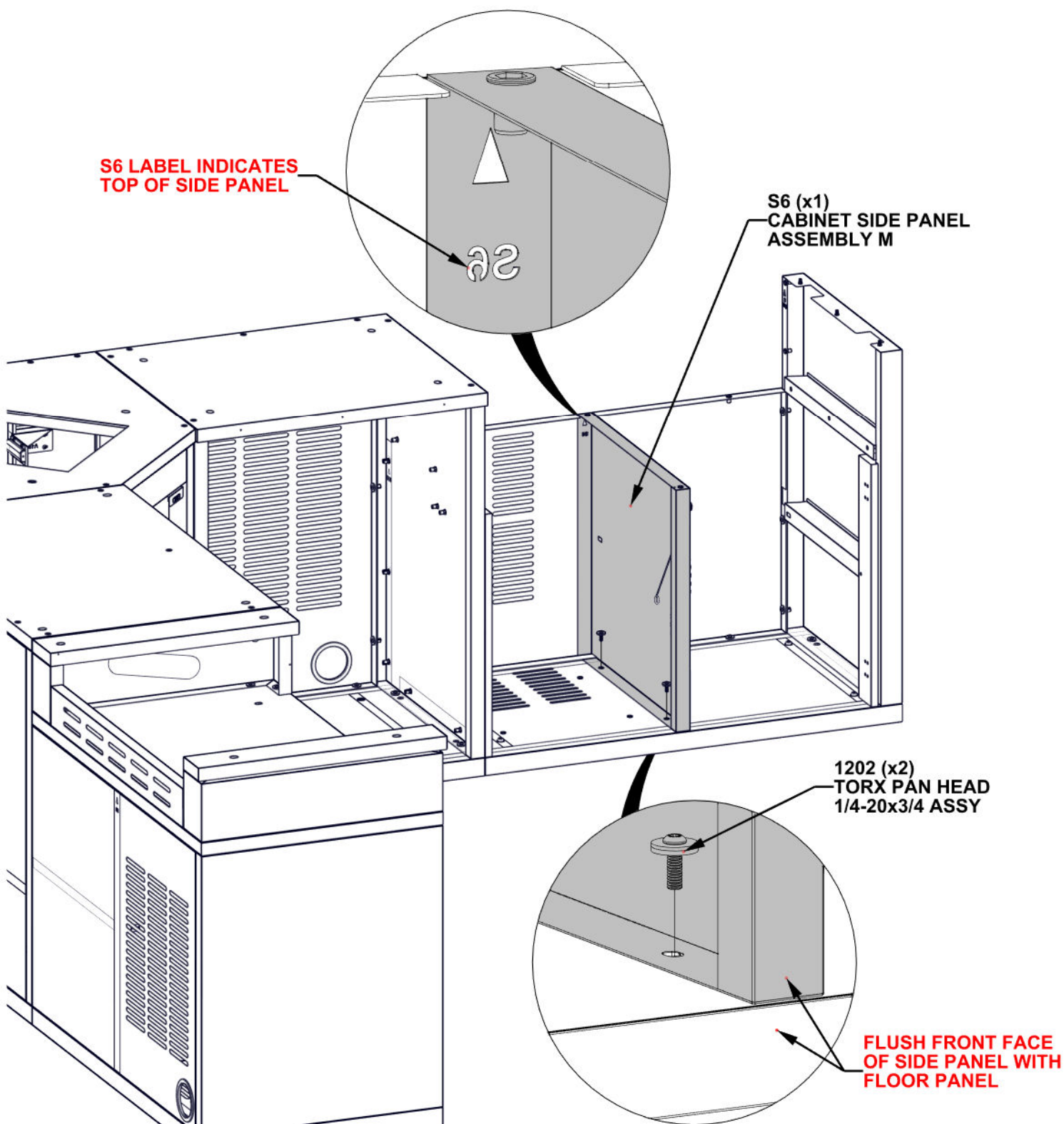


STEP 42- CABINET ASSEMBLY

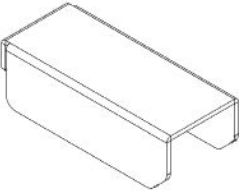
Qty	PartNo	Description
2	H101202	TORX PAN HEAD 1/4-20x3/4 ASSY



S6 CABINET SIDE PANEL ASSEMBLY M - A4M03586
(x1) 23 3/8"x22 7/8"x1 3/8" (35x581x593)

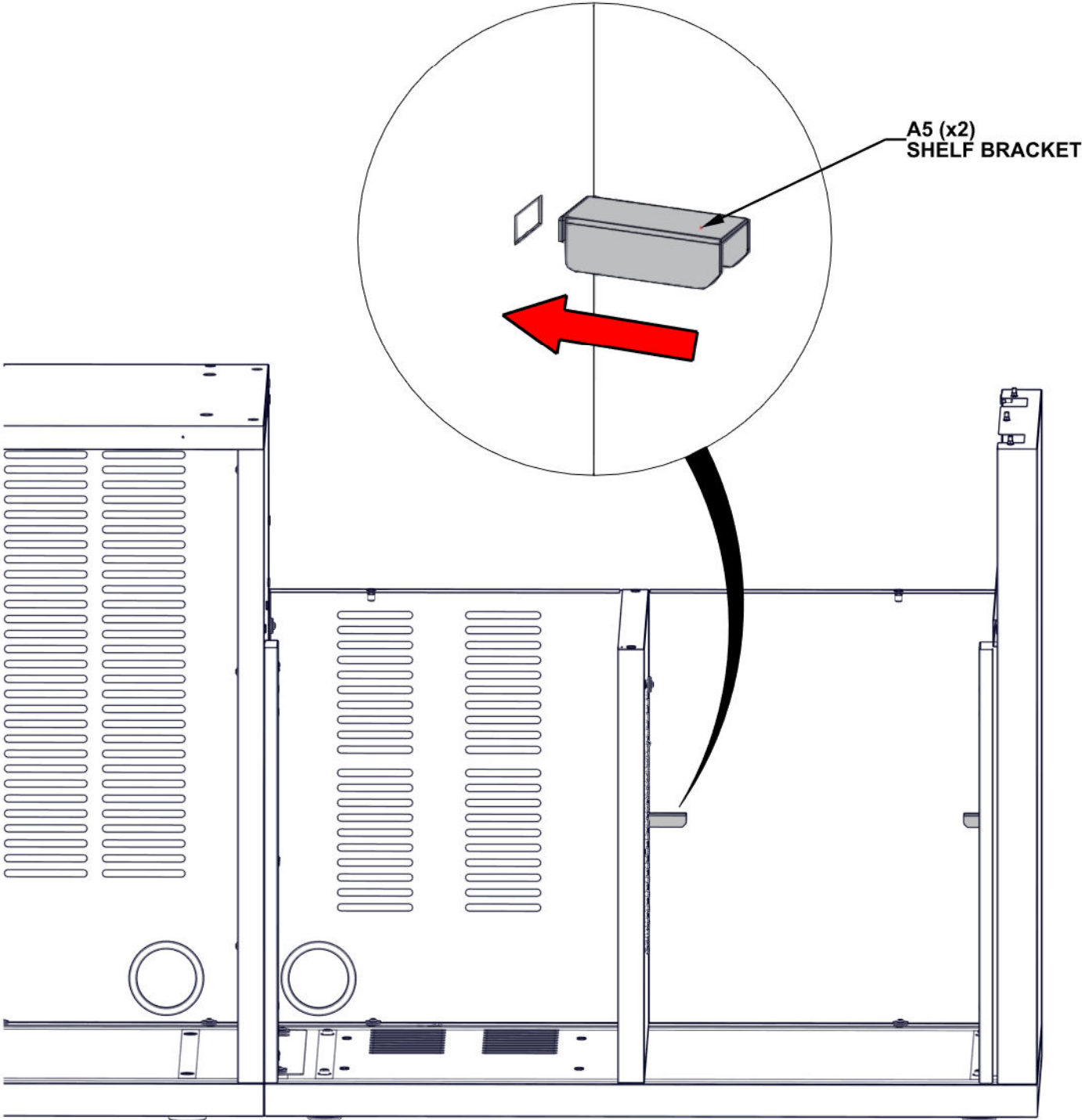


STEP 43- CABINET ASSEMBLY



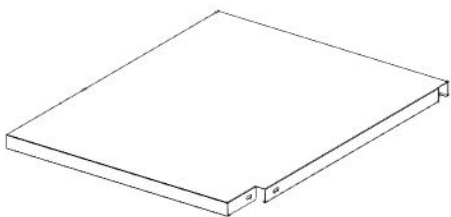
A5 SHELF BRACKET - A4M03141
(x2) 5/8"x7/8"x2 1/16" (16x22x53)

- ATTACH SHELF BRACKETS ON BOTH SIDES OF CENTER CABINET.

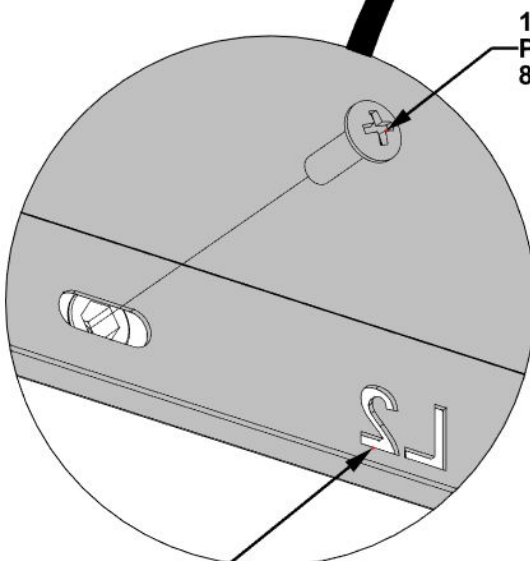
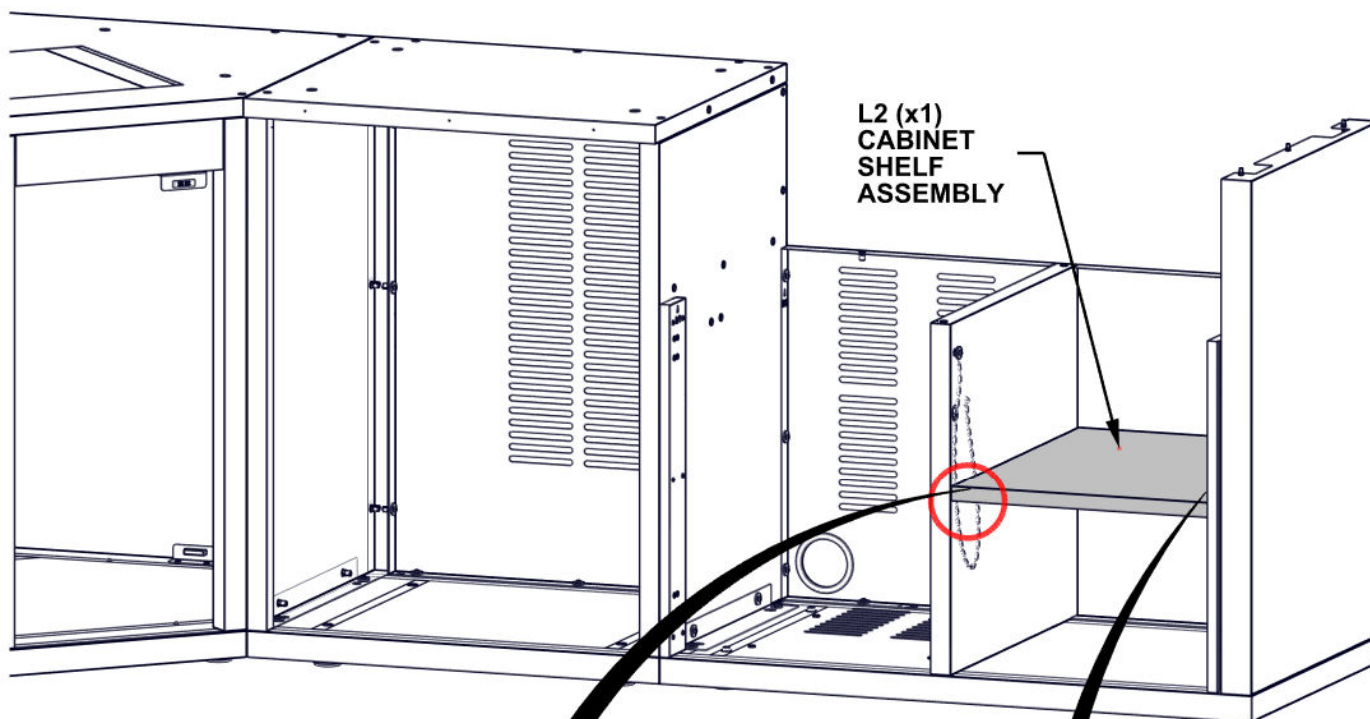


STEP 44- CABINET ASSEMBLY

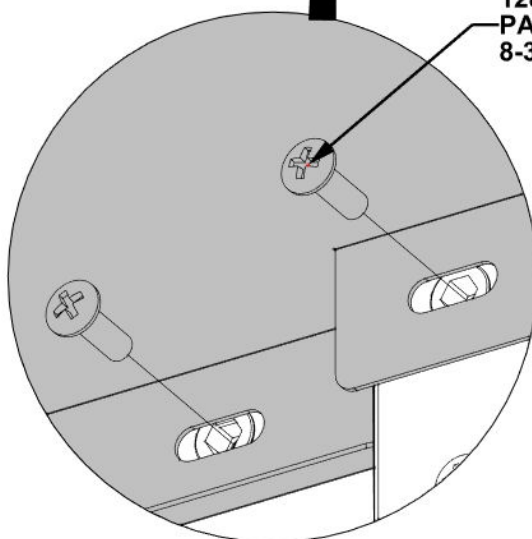
Qty	PartNo	Description
3	H101289	PAN HEAD SCREW 8-32x1/2" SS



L2 CABINET SHELF ASSEMBLY - A4M03589
(x1) 23 1/4"x18 3/8"x1" (25.00x467.00x591.00)



1289 (x1)
PAN HEAD SCREW
8-32x1/2" SS

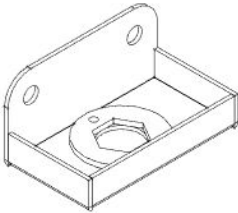


1289 (x2)
PAN HEAD SCREW
8-32x1/2" SS

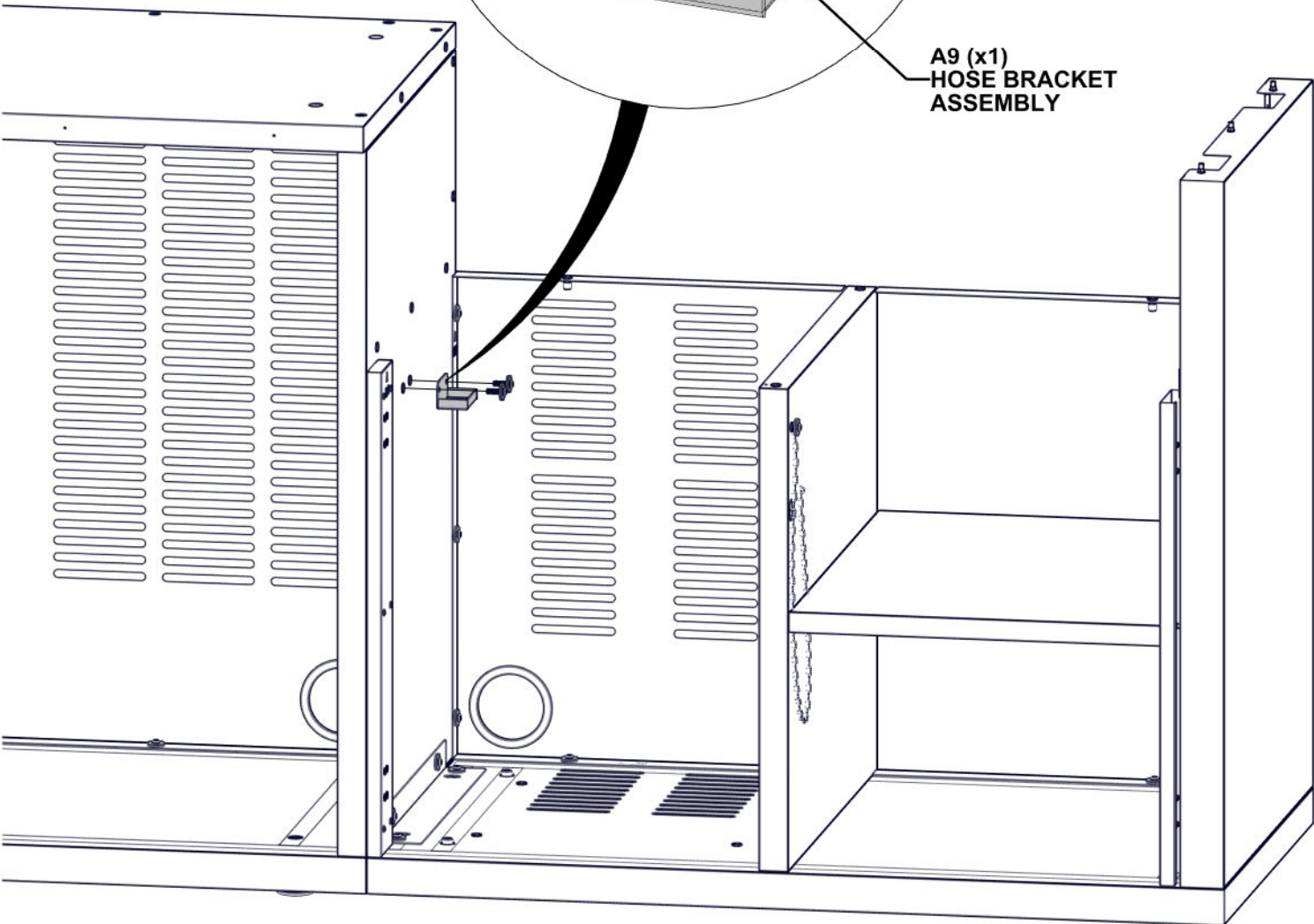
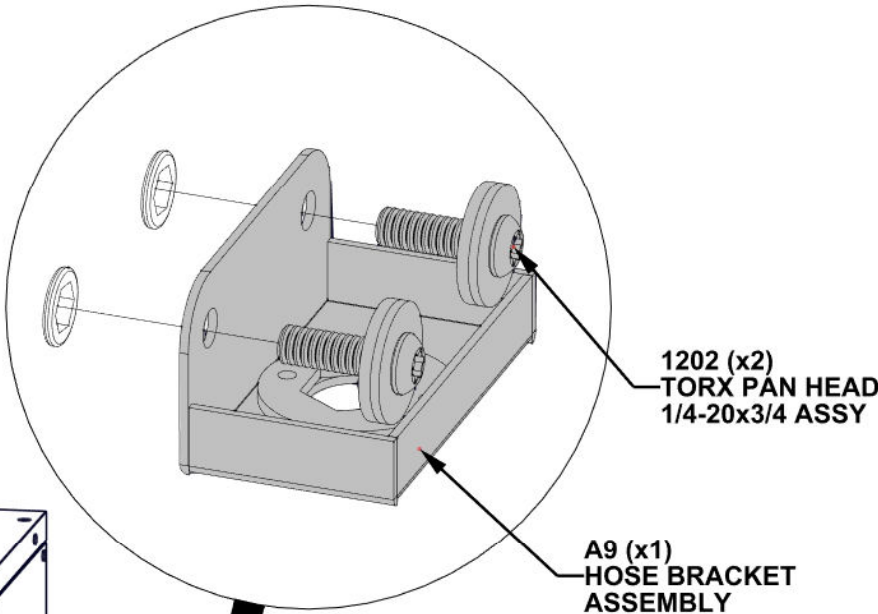
**L2 LABEL INDICATES
FRONT OF SHELF**

STEP 45- CABINET ASSEMBLY

Qty	PartNo	Description
2	H101202	TORX PAN HEAD 1/4-20x3/4 ASSY

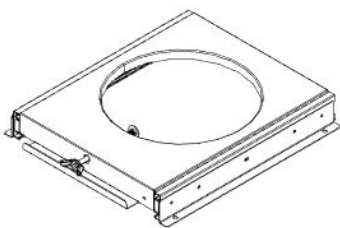


A9 HOSE BRACKET ASSEMBLY - A4M03060
(x1) 1 1/4"x1 7/16"x2 9/16" (31.5x36.5x65)

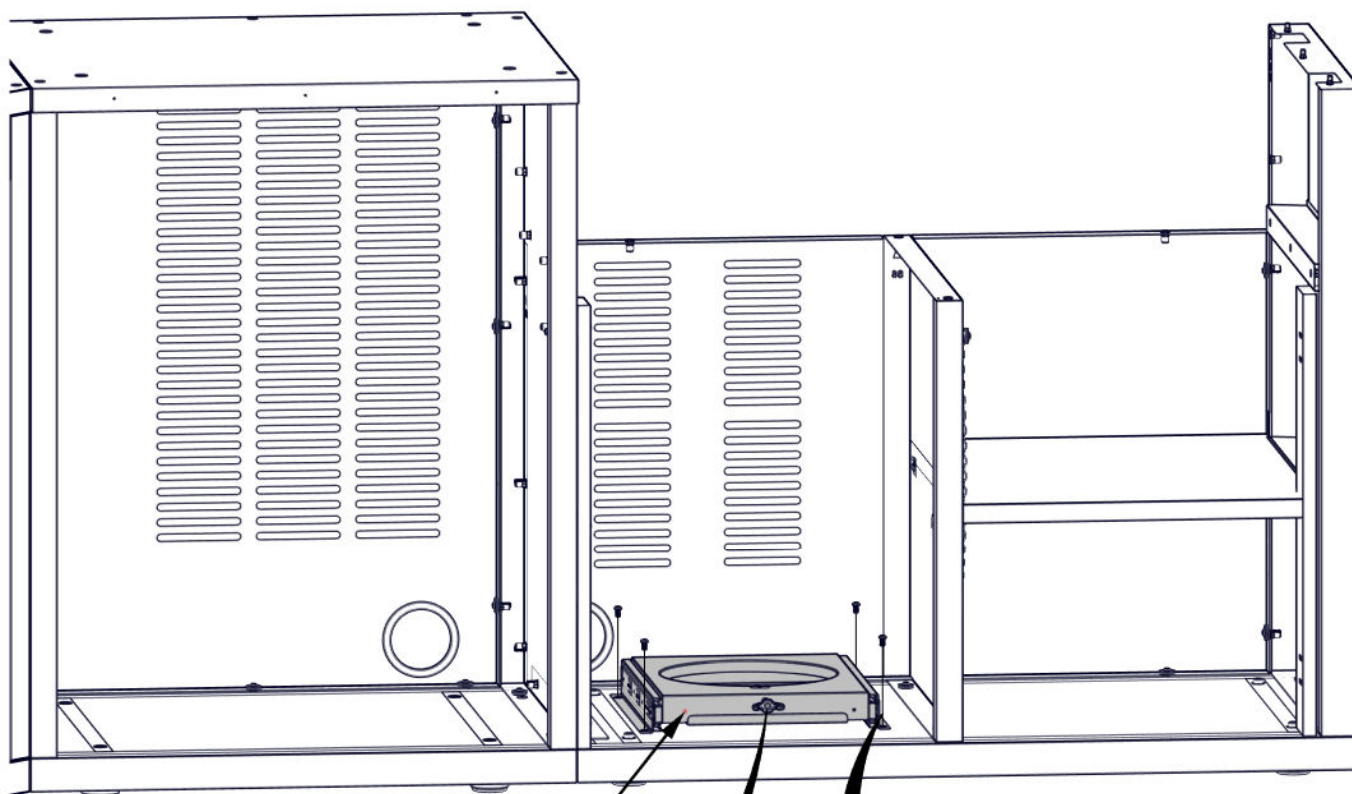


STEP 46- CABINET ASSEMBLY

Qty	PartNo	Description
4	H101292	TORX PAN HEAD 1/4-20x13/32"

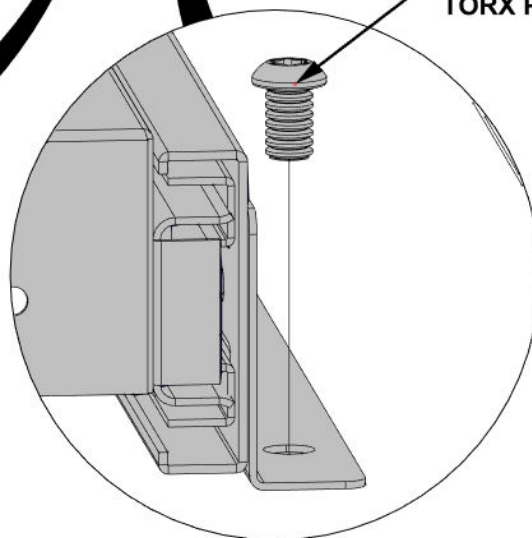
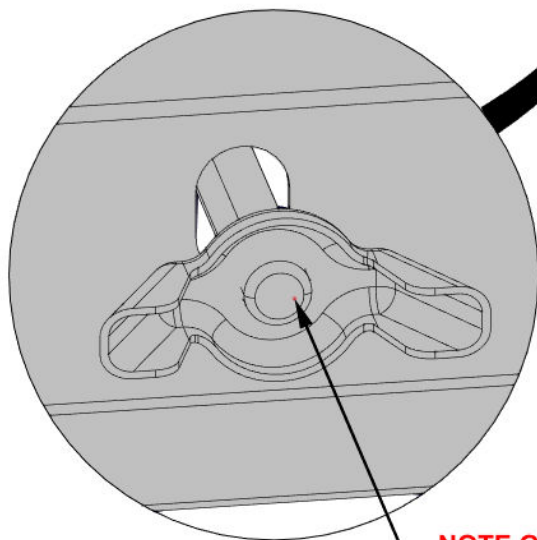


A13 GAS TANK HOLDER ASSEMBLY - A4M03047
(x1) 1 15/16"x12 7/8"x14 3/4" (49x327x374)



A13 (x1)
GAS TANK HOLDER
ASSEMBLY

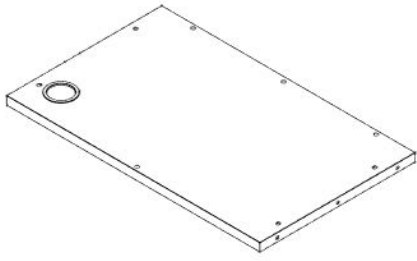
1292 (x4)
TORX PAN HEAD 1/4-20x13/32"



NOTE ORIENTATION OF
WING NUT TOWARDS FRONT

STEP 47A- CABINET ASSEMBLY

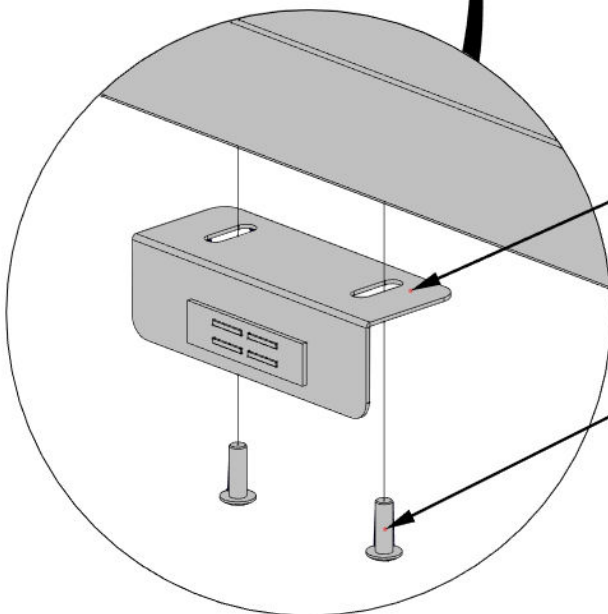
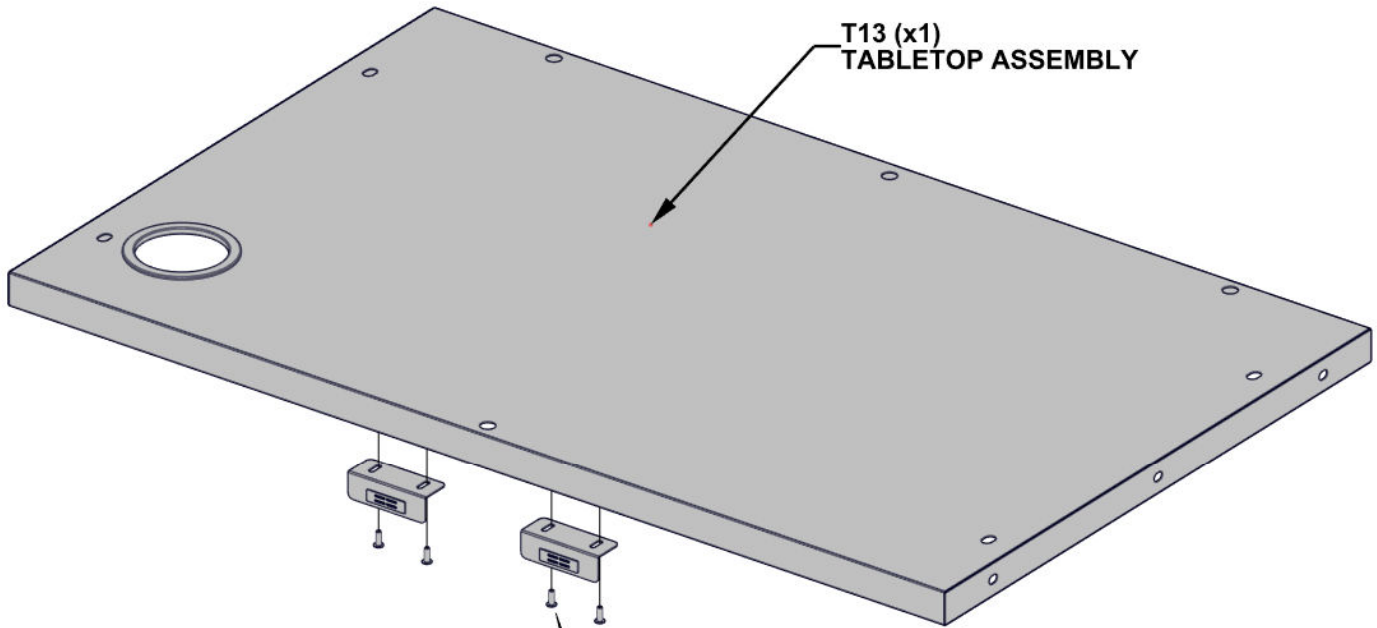
Qty	PartNo	Description
4	H101289	PAN HEAD SCREW 8-32x1/2" SS



T13 TABLETOP ASSEMBLY - A4M04668
 (x1) 1 1/4"x23 3/8"x38 3/16" (32x594x970)



A2 MAGNET BRACKET - A4M03026
 (x2) 1"x1 1/4"x3 1/8" (25x31x80)

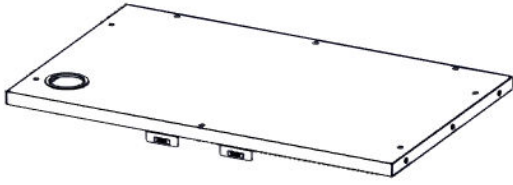


A2 (x2) MAGNET BRACKET

1289 (x4) PAN HEAD SCREW 8-32x1/2" SS

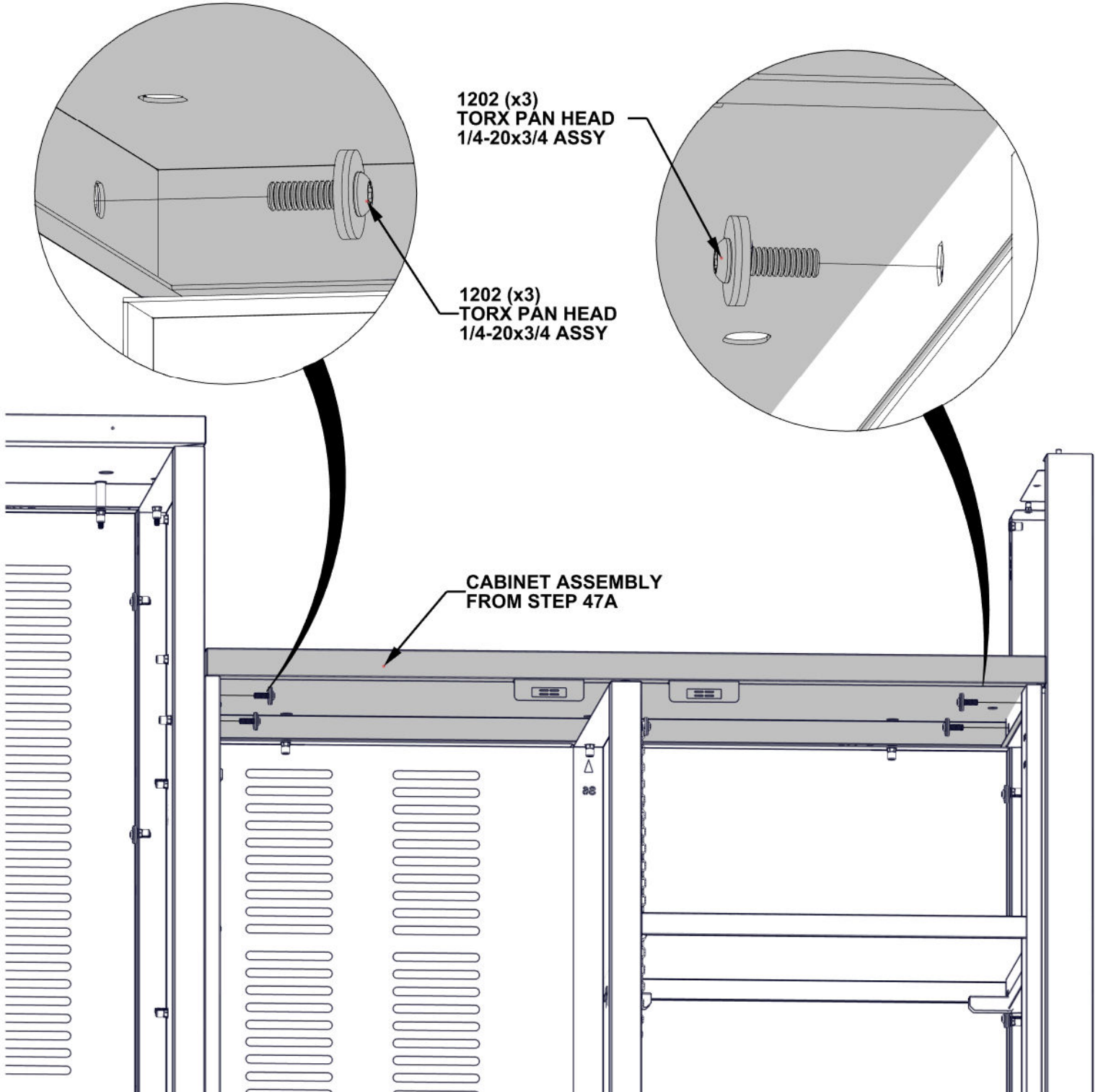
STEP 47B- CABINET ASSEMBLY

Qty	PartNo	Description
6	H101202	TORX PAN HEAD 1/4-20x3/4 ASSY



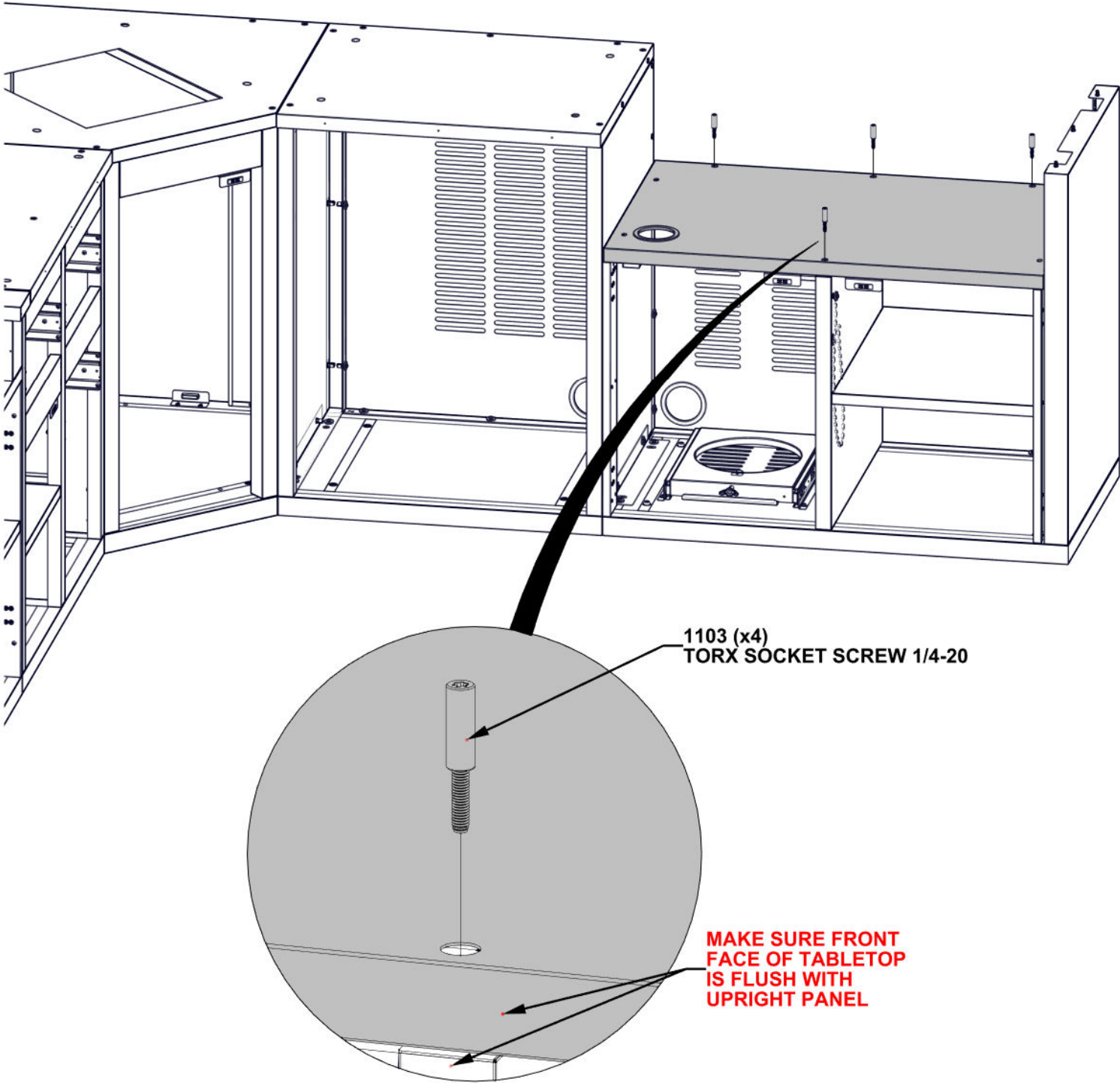
CABINET ASSEMBLY FROM STEP 47A

- HARDWARE ATTACHES ON INSIDE OF CABINET



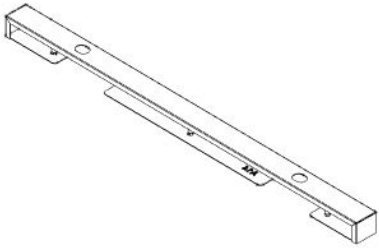
STEP 47C- CABINET ASSEMBLY

Qty	PartNo	Description
4	H101103	TORX SOCKET SCREW 1/4-20



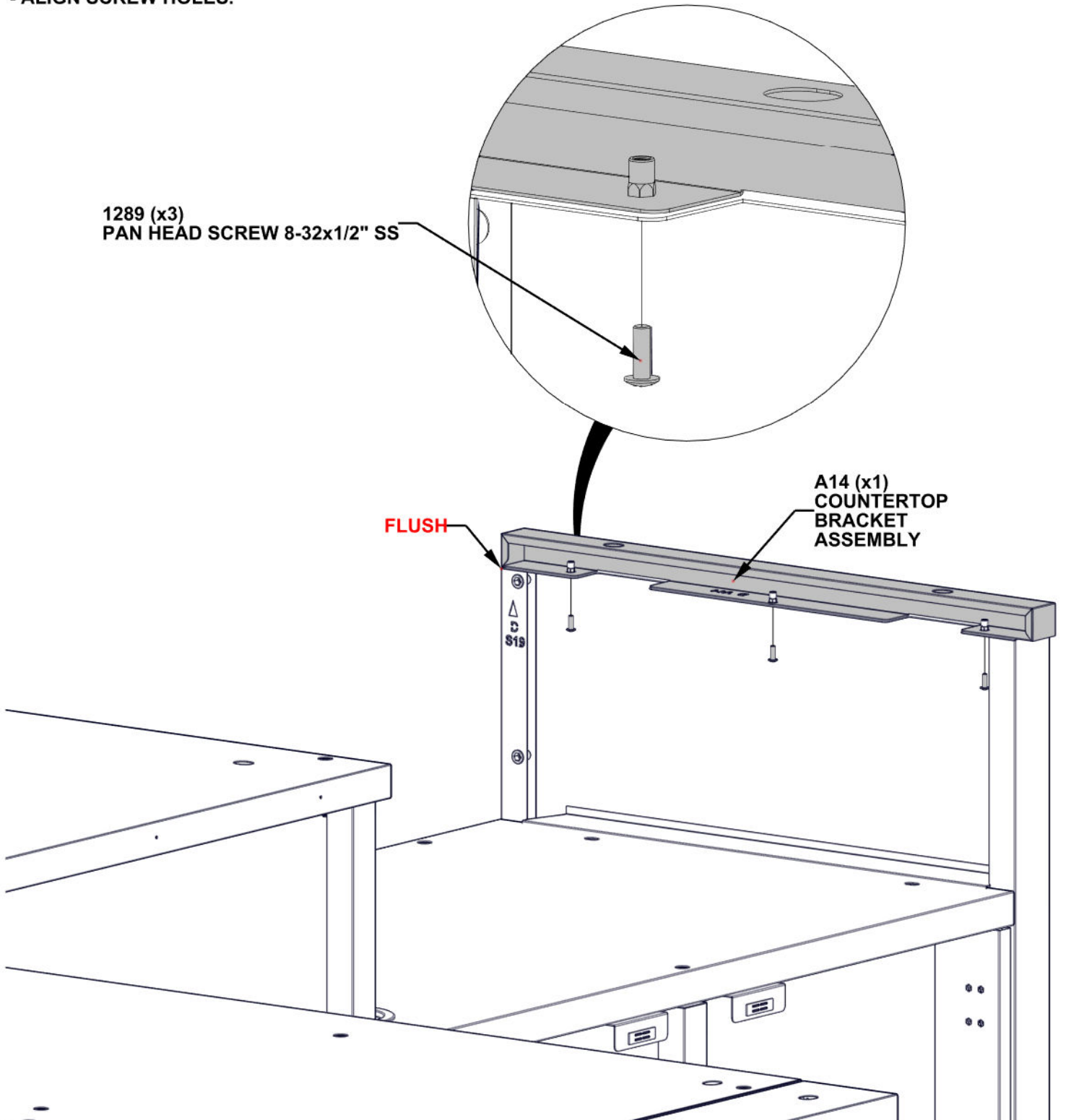
STEP 48- CABINET ASSEMBLY

Qty	PartNo	Description
3	H101289	PAN HEAD SCREW 8-32x1/2" SS



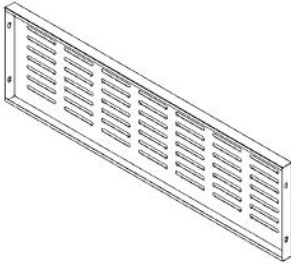
A14 COUNTERTOP BRACKET ASSEMBLY - A4M04846
(x1) 24 3/16"x1 3/8"x1 1/4" (31.00x35.00x614.00)

- ALIGN SCREW HOLES.

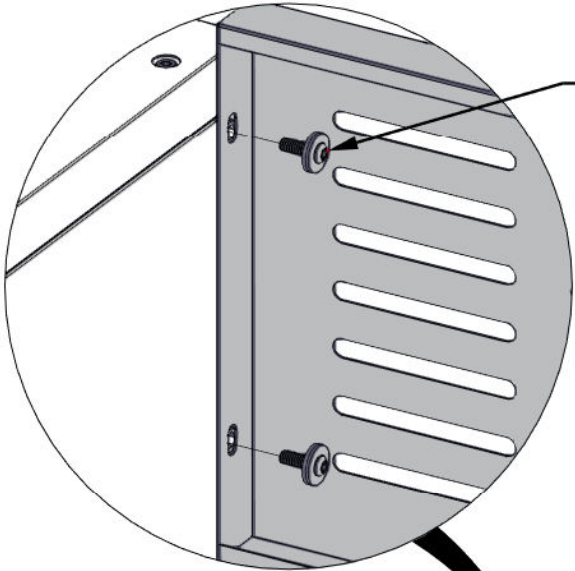


STEP 49- CABINET ASSEMBLY

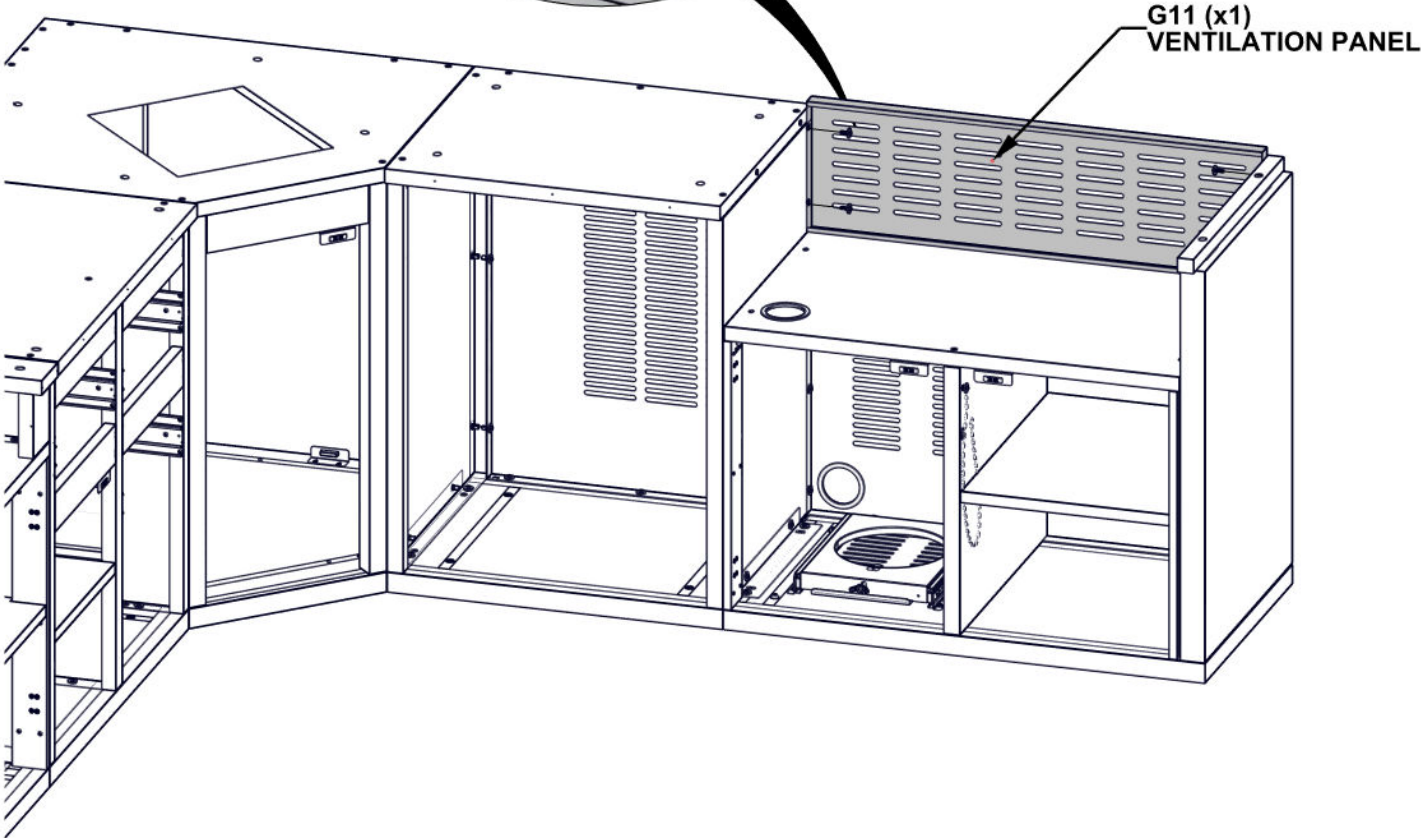
Qty	PartNo	Description
4	H101202	TORX PAN HEAD 1/4-20x3/4 ASSY



G11 VENTILATION PANEL - A4M03056
(x1) 1 5/16"x11 3/16"x38 3/16" (33x284x970)

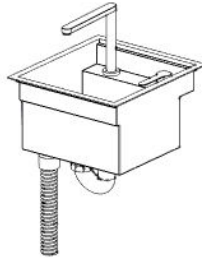


1202 (x4)
TORX PAN HEAD 1/4-20x3/4 ASSY



G11 (x1)
VENTILATION PANEL

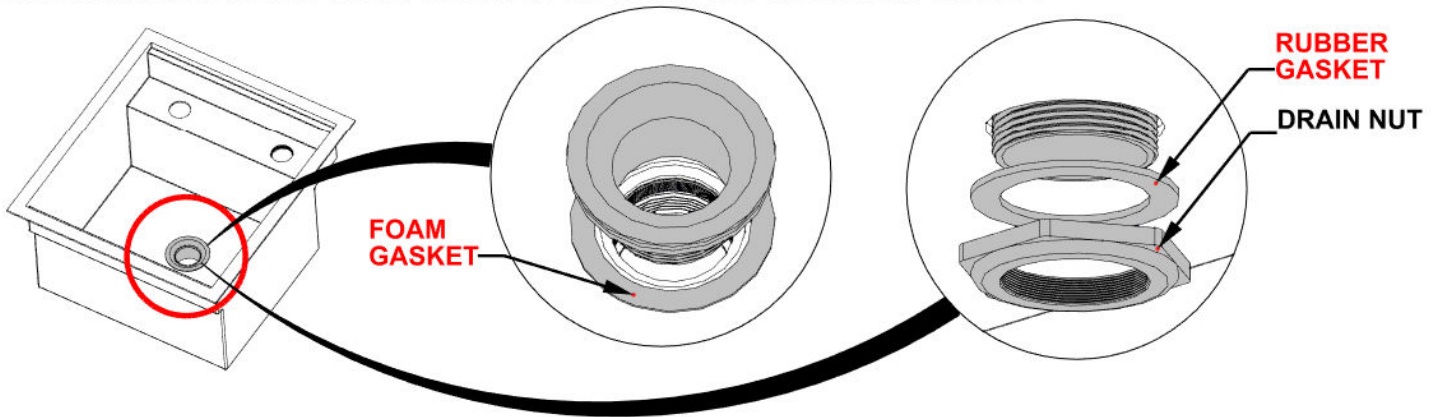
STEP 50A - SINK INSTALLATION



A16 SINK ASSEMBLY - A4M03143
(x1) 15 1/8"x15 5/16"x16 7/8" (384x389x429)

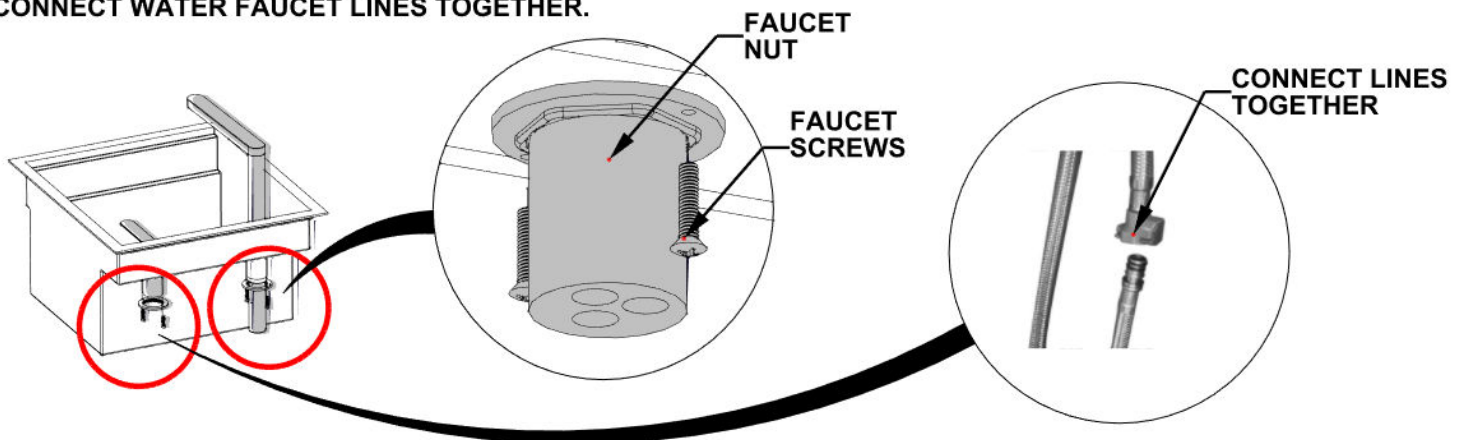
1. INSTALLING THE SINK DRAIN

- SET DRAIN INSIDE OF SINK BODY, PLACING FOAM GASKET BETWEEN SURFACES.
- FASTEN IN PLACE USING RUBBER GASKET AND DRAIN NUT FROM BOTTOM SIDE.



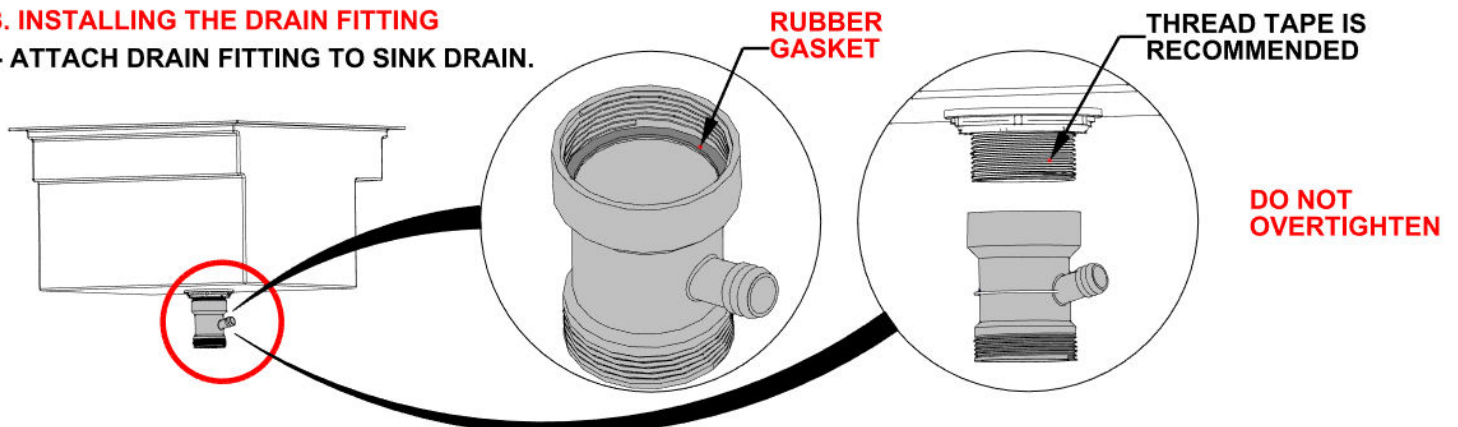
2. INSTALLING THE FAUCET

- INSTALL FAUCET BY PLACING HANDLE AND SPOUT INTO SINK OPENINGS AND SECURING IN PLACE VIA NUT.
- INSERT SCREWS TO LOCK.
- CONNECT WATER FAUCET LINES TOGETHER.

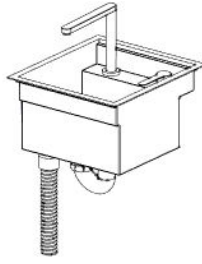


3. INSTALLING THE DRAIN FITTING

- ATTACH DRAIN FITTING TO SINK DRAIN.



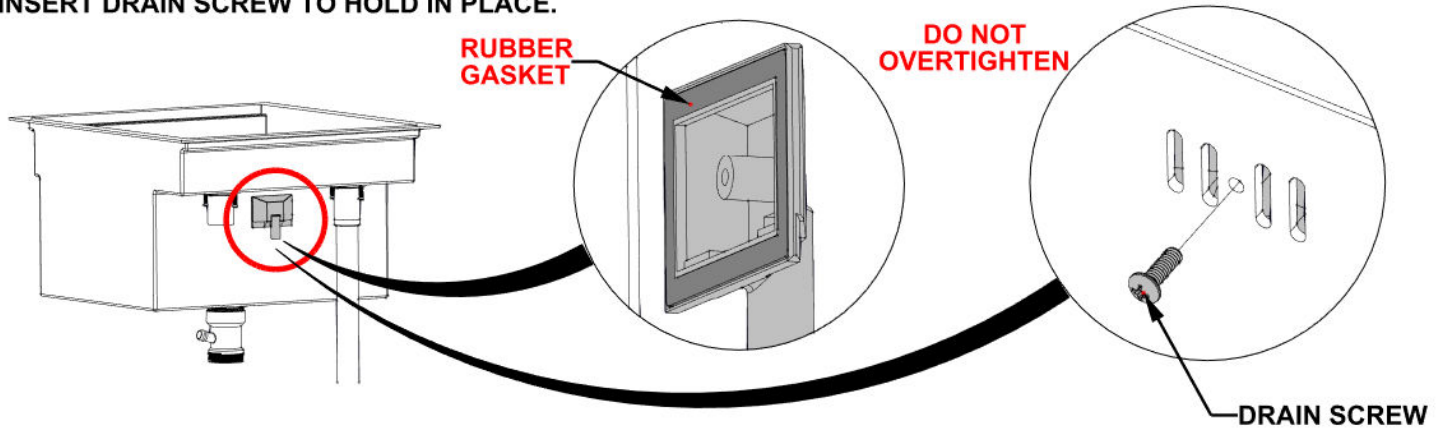
STEP 50B - SINK INSTALLATION



A16 SINK ASSEMBLY - A4M03143
(x1) 15 1/8"x15 5/16"x16 7/8" (384x389x429)

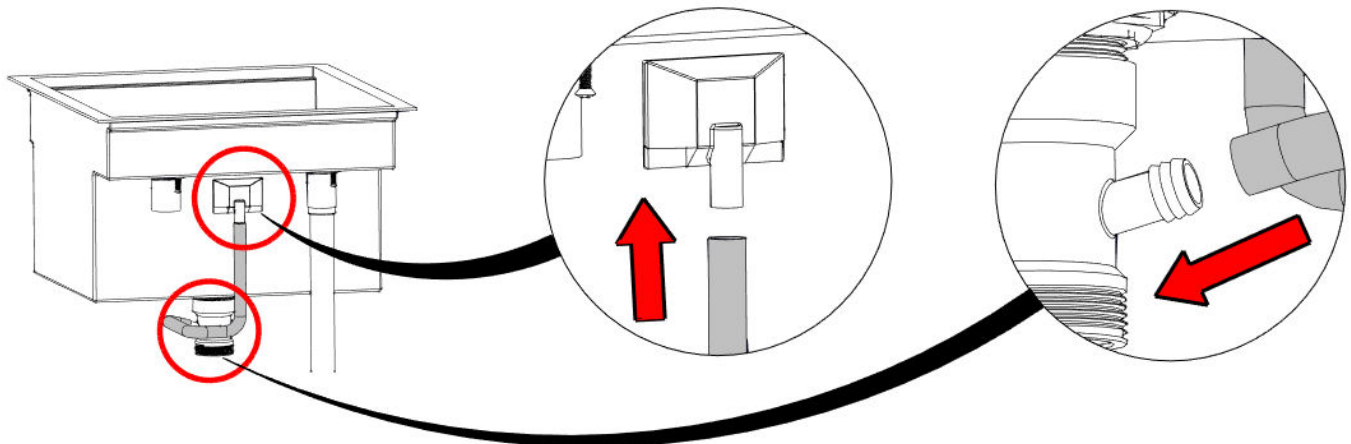
4. INSTALLING THE OVERFLOW DRAIN

- MAKE SURE RUBBER GASKET IS INSTALLED IN OVERFLOW DRAIN.
- INSERT DRAIN SCREW TO HOLD IN PLACE.



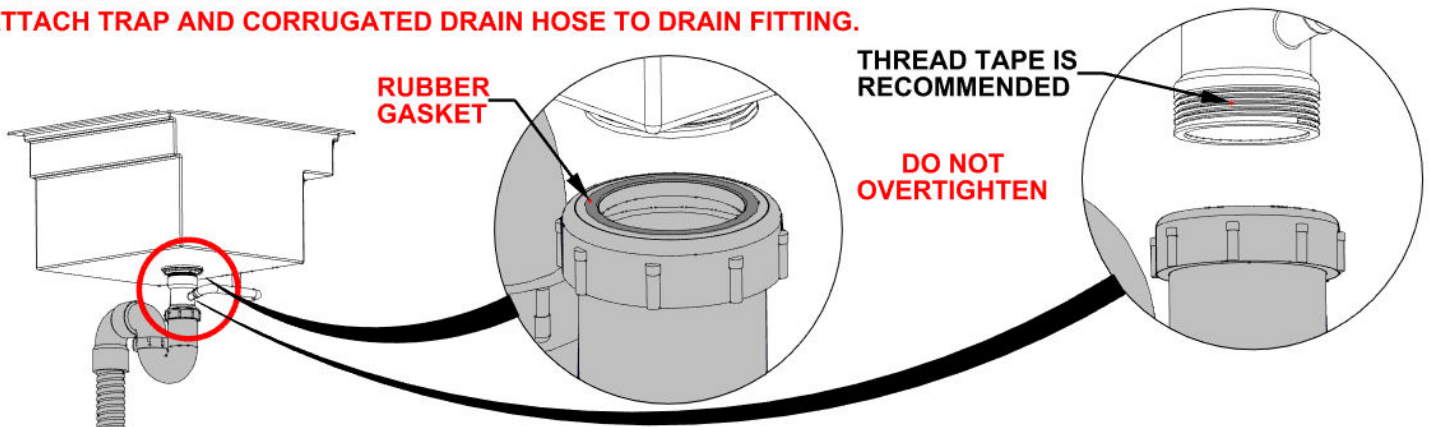
5. INSTALLING THE OVERFLOW DRAIN

- ATTACH OVERFLOW DRAIN BY CONNECTING EACH END AS SHOWN.

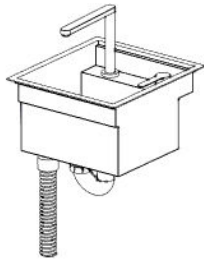


6. INSTALLING THE MAIN DRAIN AND TRAP

- ATTACH TRAP AND CORRUGATED DRAIN HOSE TO DRAIN FITTING.



STEP 50C- SINK INSTALLATION



A16 SINK ASSEMBLY - A4M03143
(x1) 15 1/8"x15 5/16"x16 7/8" (384x389x429)



A4M03151 GARDEN HOSE ADAPTER
(x1)

- SINK IS DESIGNED TO FIT SNUG. GENTLY PRESS THE SIDES OF THE SINK IN AS YOU LOWER SINK BODY INTO PANEL.
- DRAIN STRAINER MUST BE USED WHEN DISCARDING FOOD INSIDE OF SINK.
- DO NOT LET SOLID MATERIAL ENTER SINK BASIN.

OPTIONS FOR WATER INLET SUPPLY HOOKUP:

- GARDEN HOSE ATTACHMENT USING PROVIDED ADAPTER
- WATER INLET SUPPLY LINE

ATTACH ADAPTER TO INLET LINE AND TIGHTEN WITH WRENCH

OPTIONS FOR DRAIN DISCHARGE:

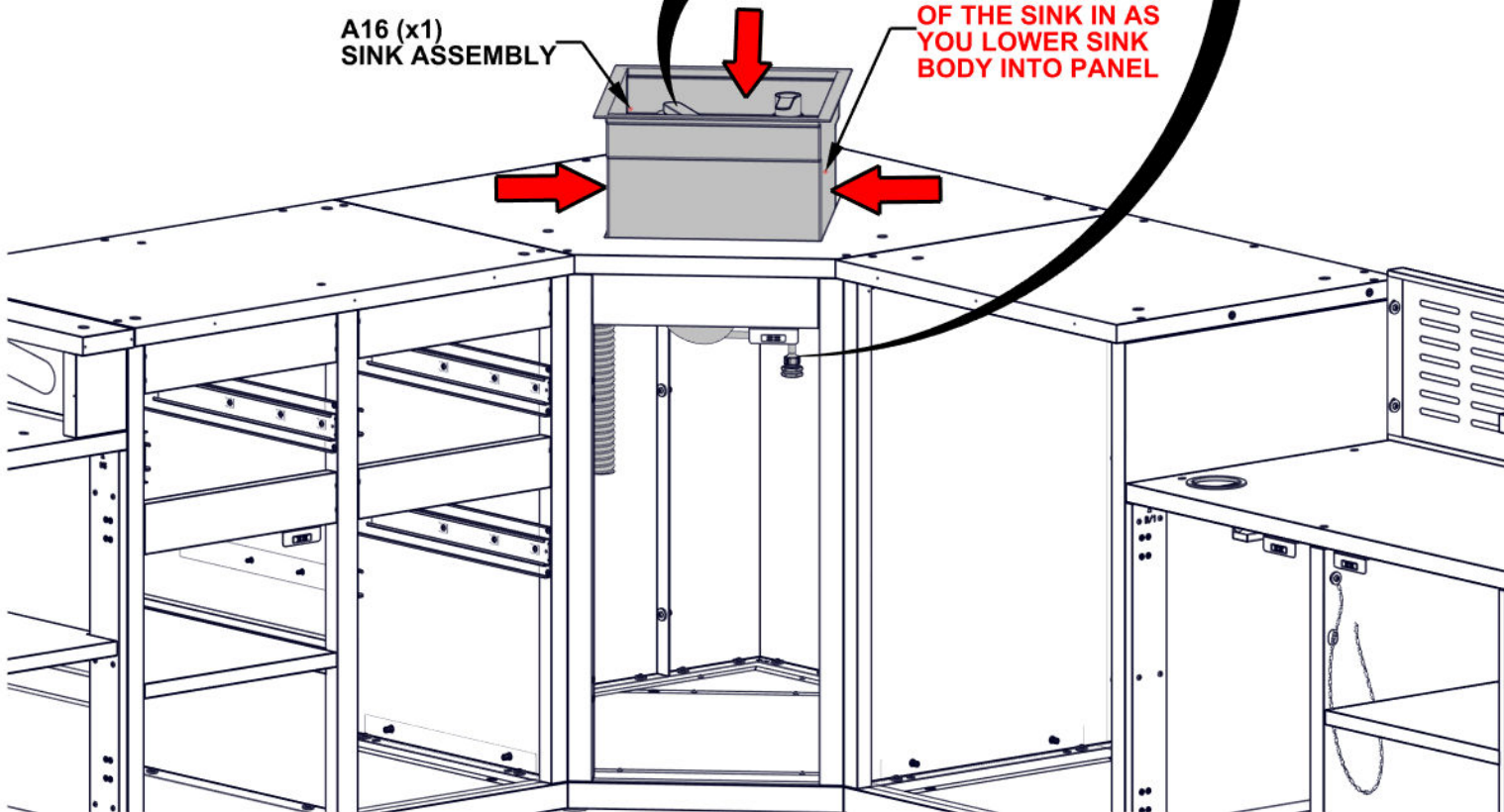
- BUCKET OR GREY WATER CONTAINER
- FRENCH DRAIN OR DRY BASIN
- INTEGRATED SEWER SYSTEM
- CHECK YOUR LOCAL REQUIREMENTS.

IT IS RECOMMENDED TO APPLY A FINE BEAD OF SILICONE, TO UNDERNEATH SIDE OF ALL SINK FLANGES BEFORE INSTALLING

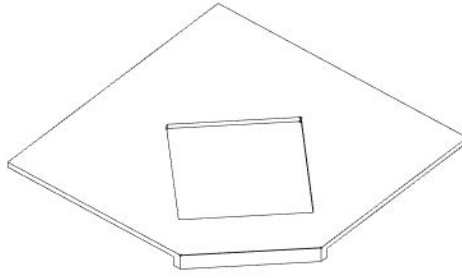
3151 (x1) GARDEN HOSE ADAPTER

PRESS THE SIDES OF THE SINK IN AS YOU LOWER SINK BODY INTO PANEL

A16 (x1) SINK ASSEMBLY

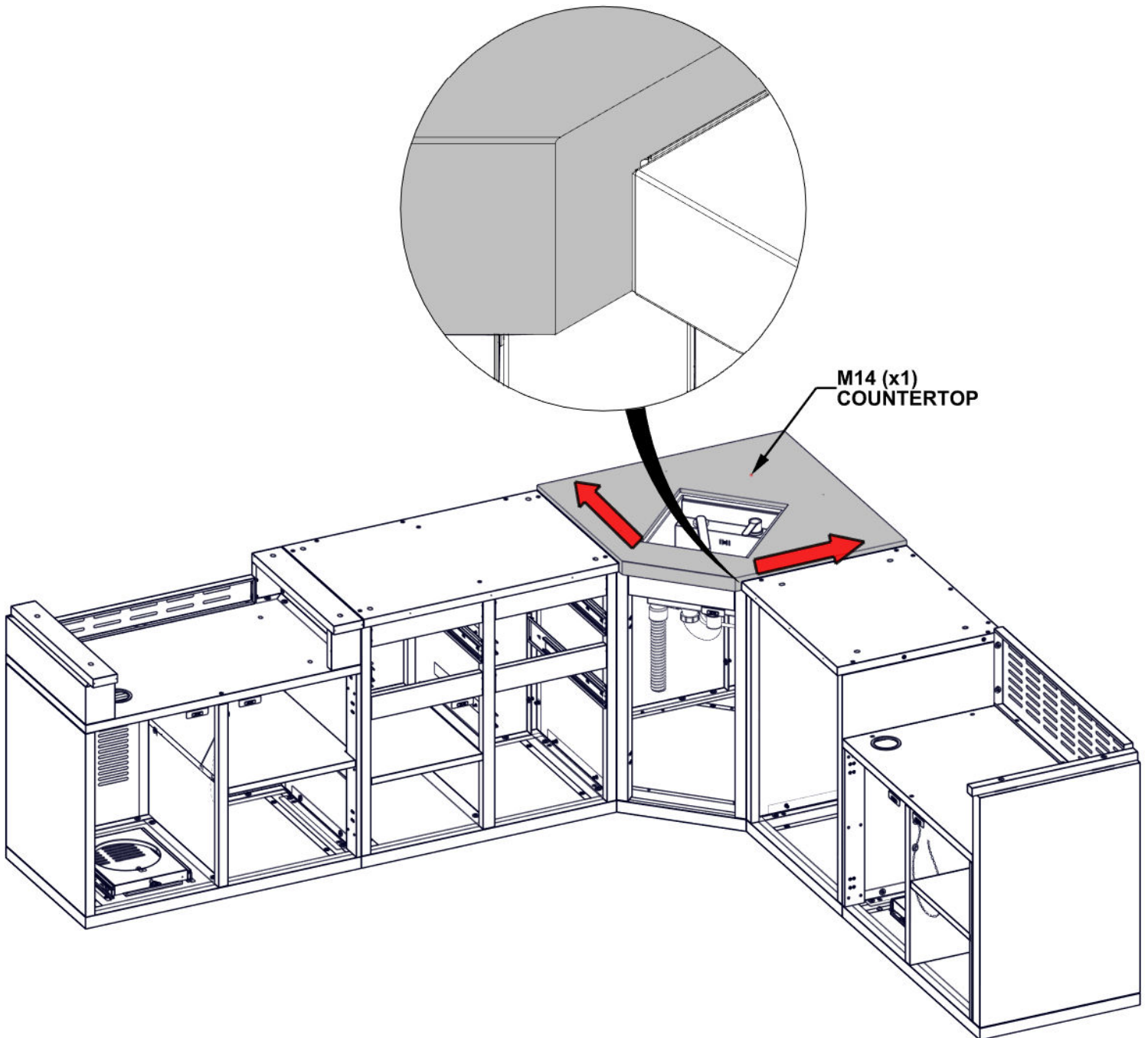


STEP 51A- SINK CABINET COUNTERTOP INSTALLATION

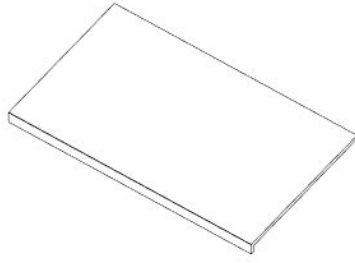


M14 COUNTERTOP - A4M05954
(x1) 36"x36"x1 15/16" (50x914x914)

- IT IS RECOMMENDED TO HAVE AT LEAST TWO PEOPLE SET COUNTERTOP IN PLACE.
- SLIDE IN PLACE UNTIL HOLES IN COUNTERTOP ALIGN WITH THE HOLES IN SUPPORT FRAME.
- **WHEN SETTING COUNTERTOP IN PLACE, MAKE SURE YOUR FINGERS ARE CLEAR AND NOT UNDERNEATH COUNTERTOP.**

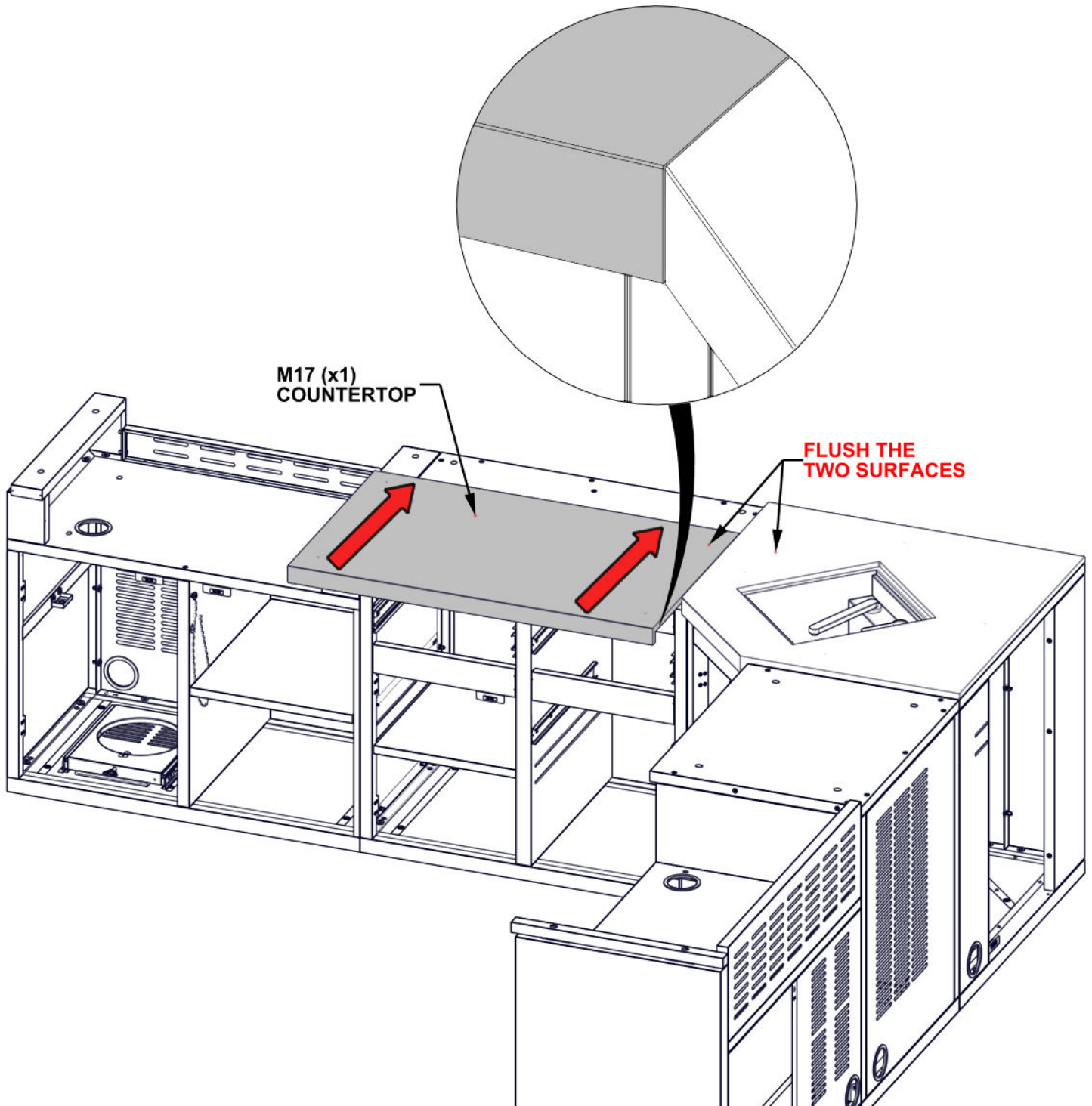


STEP 51B - STORAGE CABINET COUNTERTOP INSTALLATION

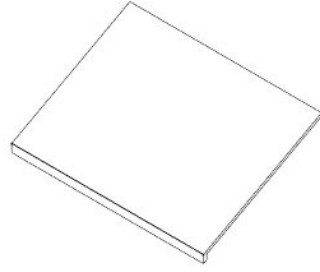


M17 COUNTERTOP - A4M05961
(x1) 41 9/16"x24 15/16"x1 15/16" (50x634x1055)

- IT IS RECOMMENDED TO HAVE AT LEAST TWO PEOPLE SET COUNTERTOP IN PLACE.
- SLIDE IN PLACE UNTIL HOLES IN COUNTERTOP ALIGN WITH THE HOLES IN SUPPORT FRAME.
- **WHEN SETTING COUNTERTOP IN PLACE, MAKE SURE YOUR FINGERS ARE CLEAR AND NOT UNDERNEATH COUNTERTOP.**

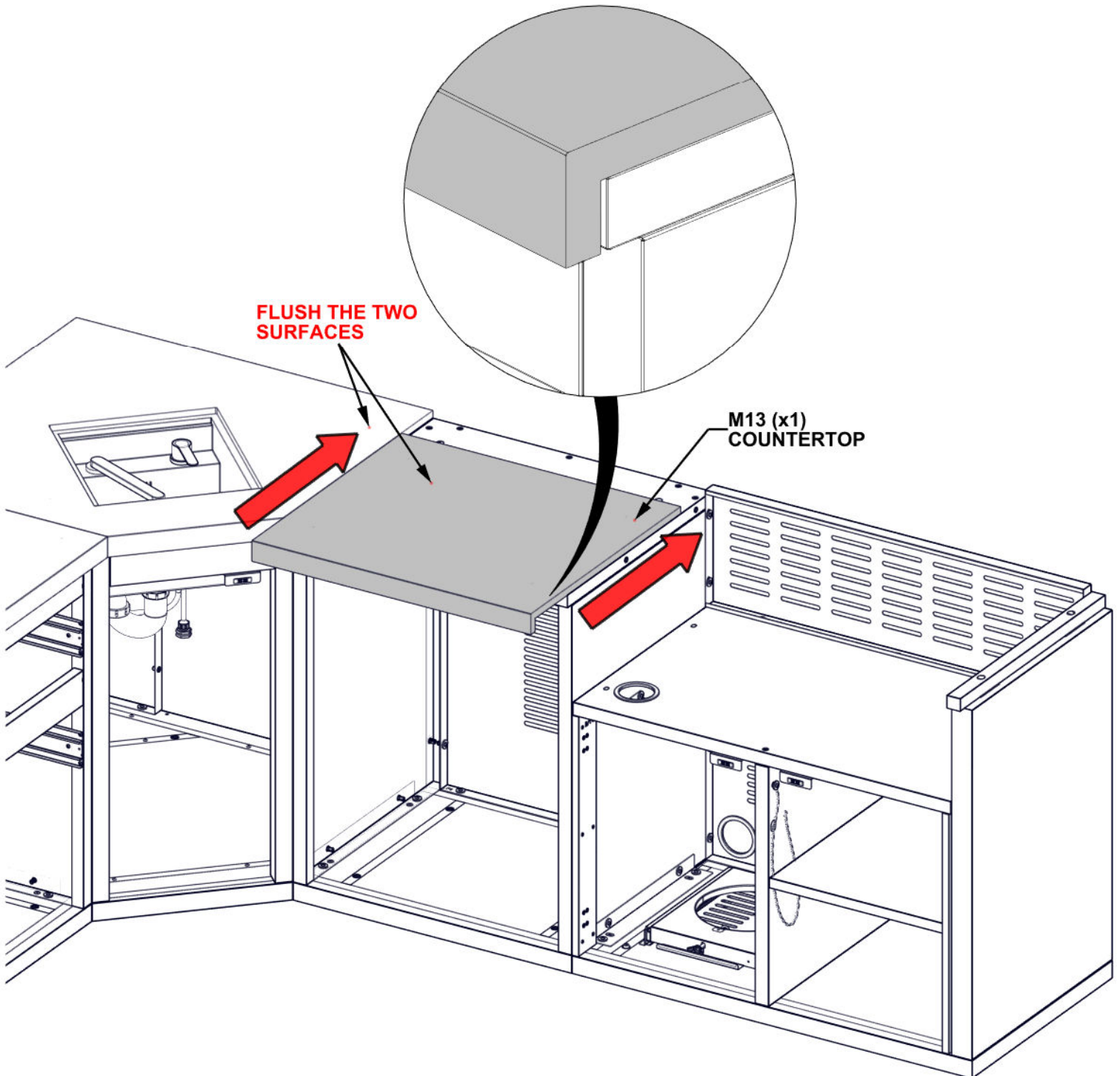


STEP 51C - FRIDGE CABINET COUNTERTOP INSTALLATION



M13 COUNTERTOP - A4M05953
(x1) 28 1/8"x24 15/16"x1 15/16" (50x634x715)

- IT IS RECOMMENDED TO HAVE AT LEAST TWO PEOPLE SET COUNTERTOP IN PLACE.
- SLIDE IN PLACE UNTIL HOLES IN COUNTERTOP ALIGN WITH THE HOLES IN SUPPORT FRAME.
- **WHEN SETTING COUNTERTOP IN PLACE, MAKE SURE YOUR FINGERS ARE CLEAR AND NOT UNDERNEATH COUNTERTOP.**



STEP 52A- SINK CABINET COUNTERTOP INSTALLATION

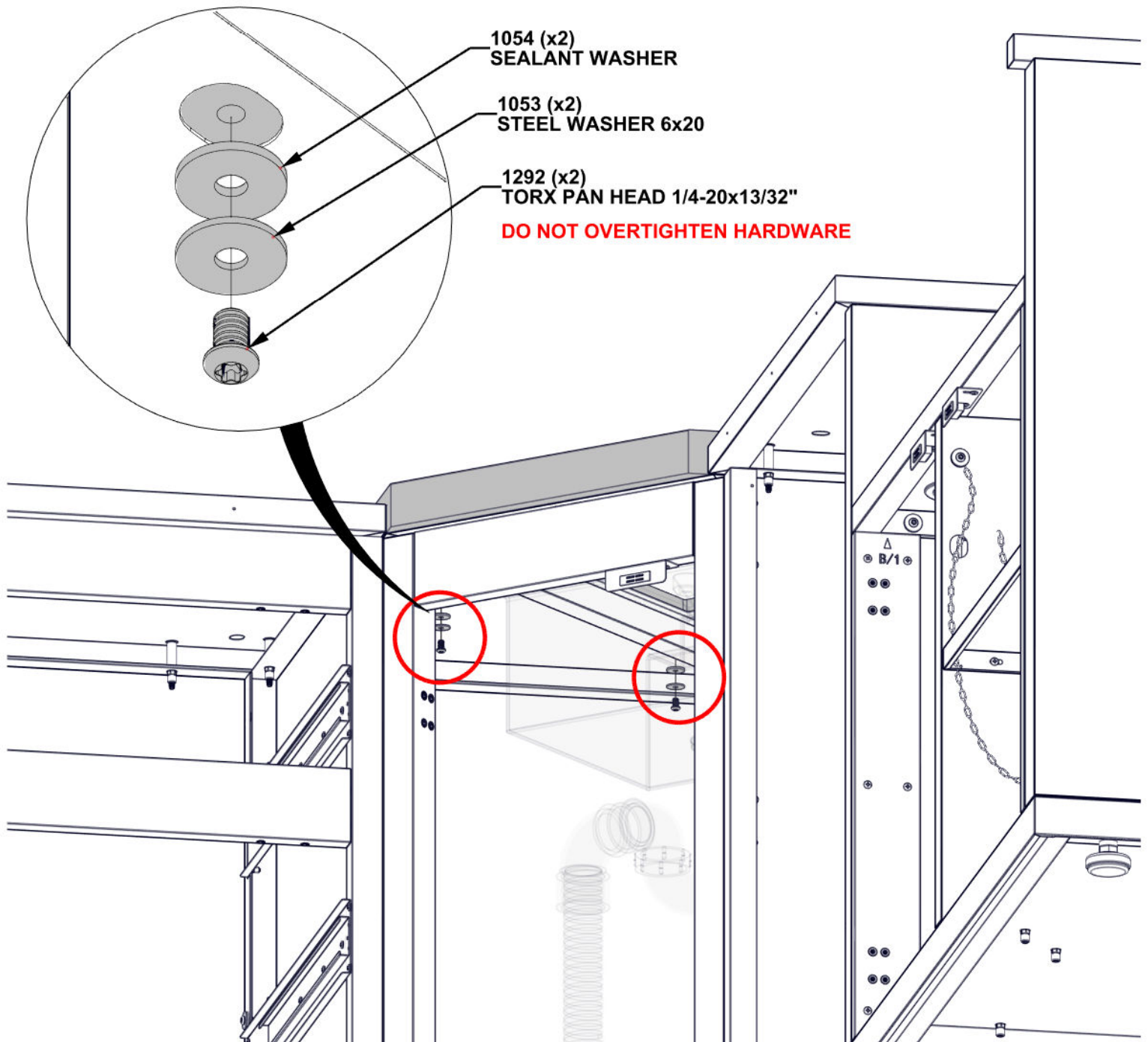
Qty	PartNo	Description
2	H101053	STEEL WASHER 6x20
2	H101054	SEALANT WASHER
2	H101292	TORX PAN HEAD 1/4-20x13/32"

- IT IS RECOMMENDED TO USE THE 6" MAGNETIC DRIVER EXTENSION PROVIDED IN YOUR HARDWARE KIT FOR THIS STEP.

- MAKE SURE YOU ARE USING THE CORRECT HARDWARE FOR THIS STEP.

- ONCE COUNTERTOP IS IN PLACE, IT IS RECOMMENDED TO COVER WITH A PIECE OF CARDBOARD OR FOAM UNTIL ASSEMBLY IS FINISHED TO PREVENT DAMAGE.

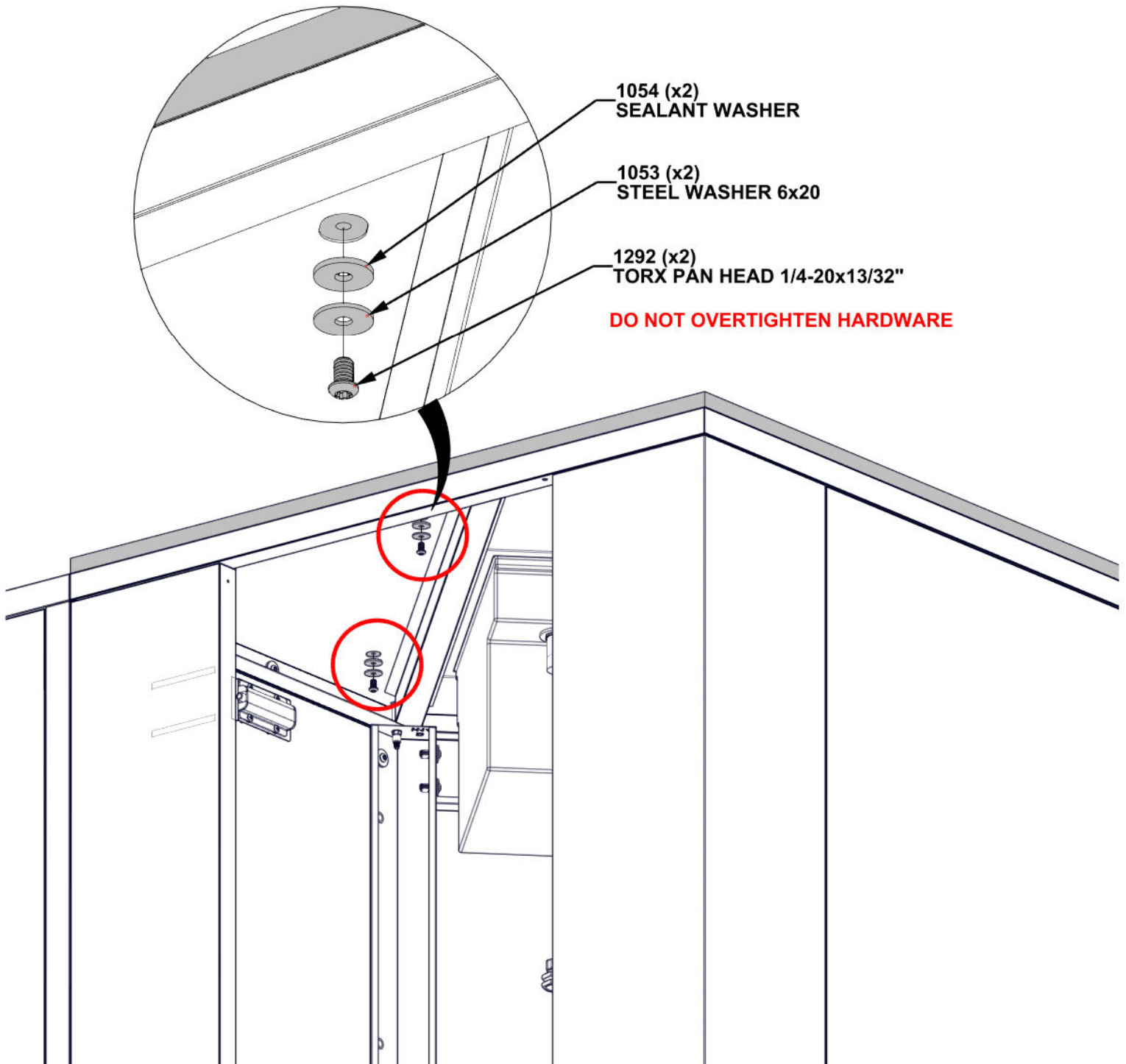
- DO NOT USE COUNTERTOP SURFACE AS A WORK BENCH.



STEP 52B- SINK CABINET COUNTERTOP INSTALLATION

Qty	PartNo	Description
2	H101053	STEEL WASHER 6x20
2	H101054	SEALANT WASHER
2	H101292	TORX PAN HEAD 1/4-20x13/32"

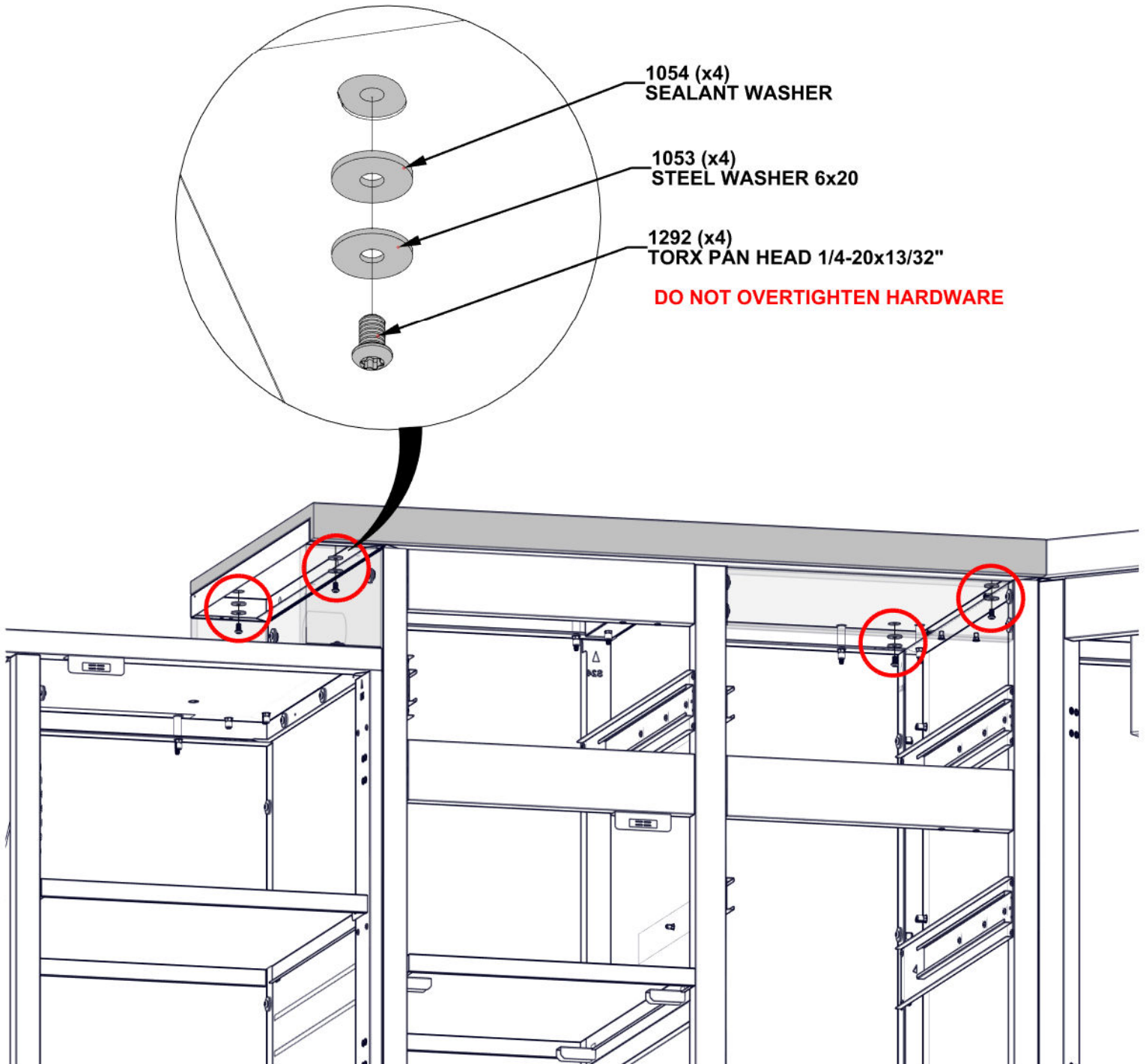
- MAKE SURE YOU ARE USING THE CORRECT HARDWARE FOR THIS STEP.
- ONCE COUNTERTOP IS IN PLACE, IT IS RECOMMENDED TO COVER WITH A PIECE OF CARDBOARD OR FOAM UNTIL ASSEMBLY IS FINISHED TO PREVENT DAMAGE.
- DO NOT USE COUNTERTOP SURFACE AS A WORK BENCH.



STEP 53A - STORAGE CABINET COUNTERTOP INSTALLATION

Qty	PartNo	Description
4	H101053	STEEL WASHER 6x20
4	H101054	SEALANT WASHER
4	H101292	TORX PAN HEAD 1/4-20x13/32"

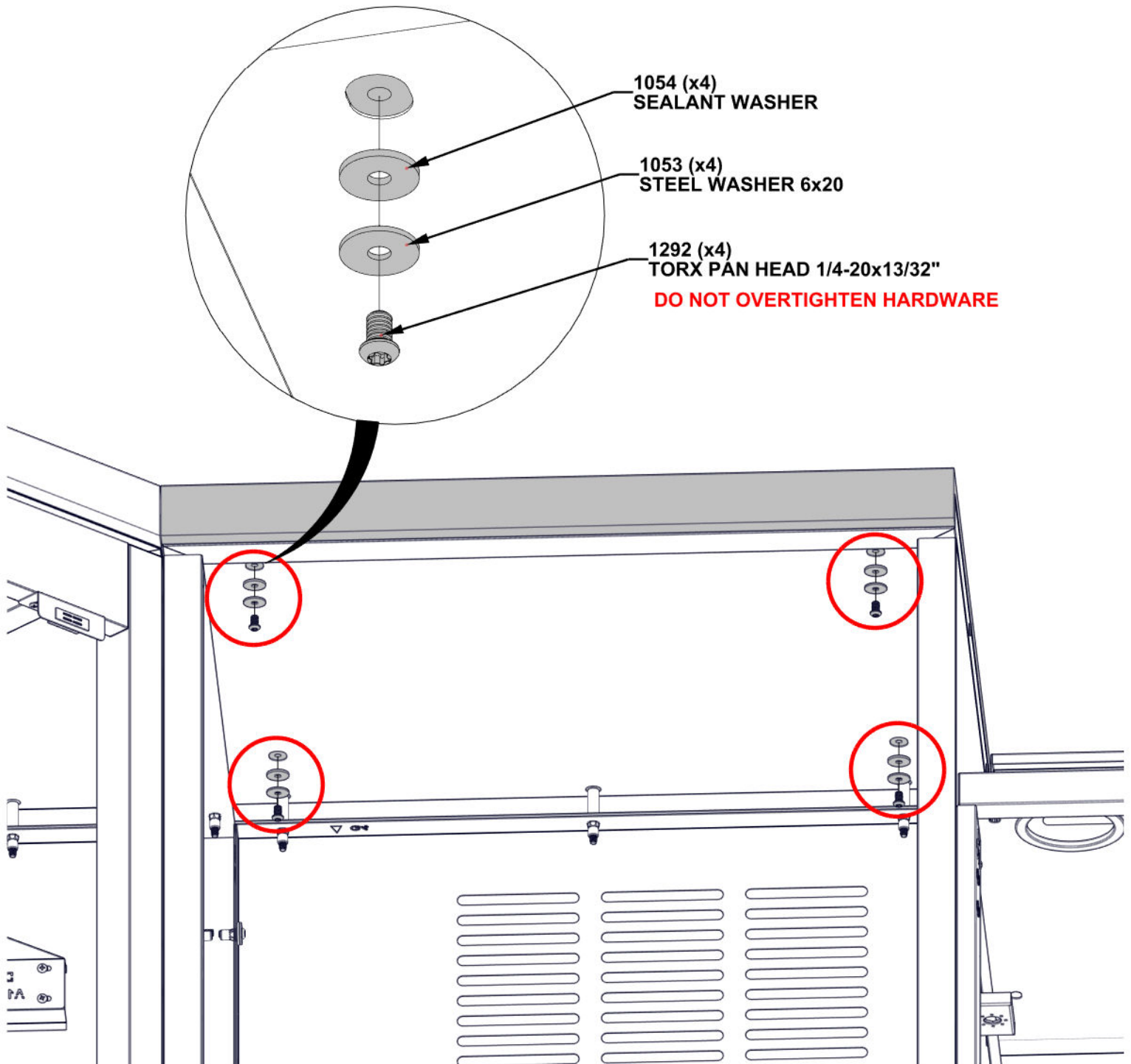
- MAKE SURE YOU ARE USING THE CORRECT HARDWARE FOR THIS STEP.
- ONCE COUNTERTOP IS IN PLACE, IT IS RECOMMENDED TO COVER WITH A PIECE OF CARDBOARD OR FOAM UNTIL ASSEMBLY IS FINISHED TO PREVENT DAMAGE.
- DO NOT USE COUNTERTOP SURFACE AS A WORK BENCH.



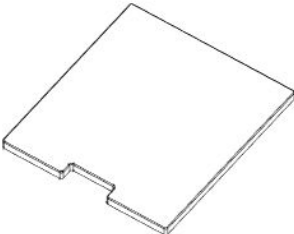
STEP 53B - FRIDGE CABINET COUNTERTOP INSTALLATION

Qty	PartNo	Description
4	H101053	STEEL WASHER 6x20
4	H101054	SEALANT WASHER
4	H101292	TORX PAN HEAD 1/4-20x13/32"

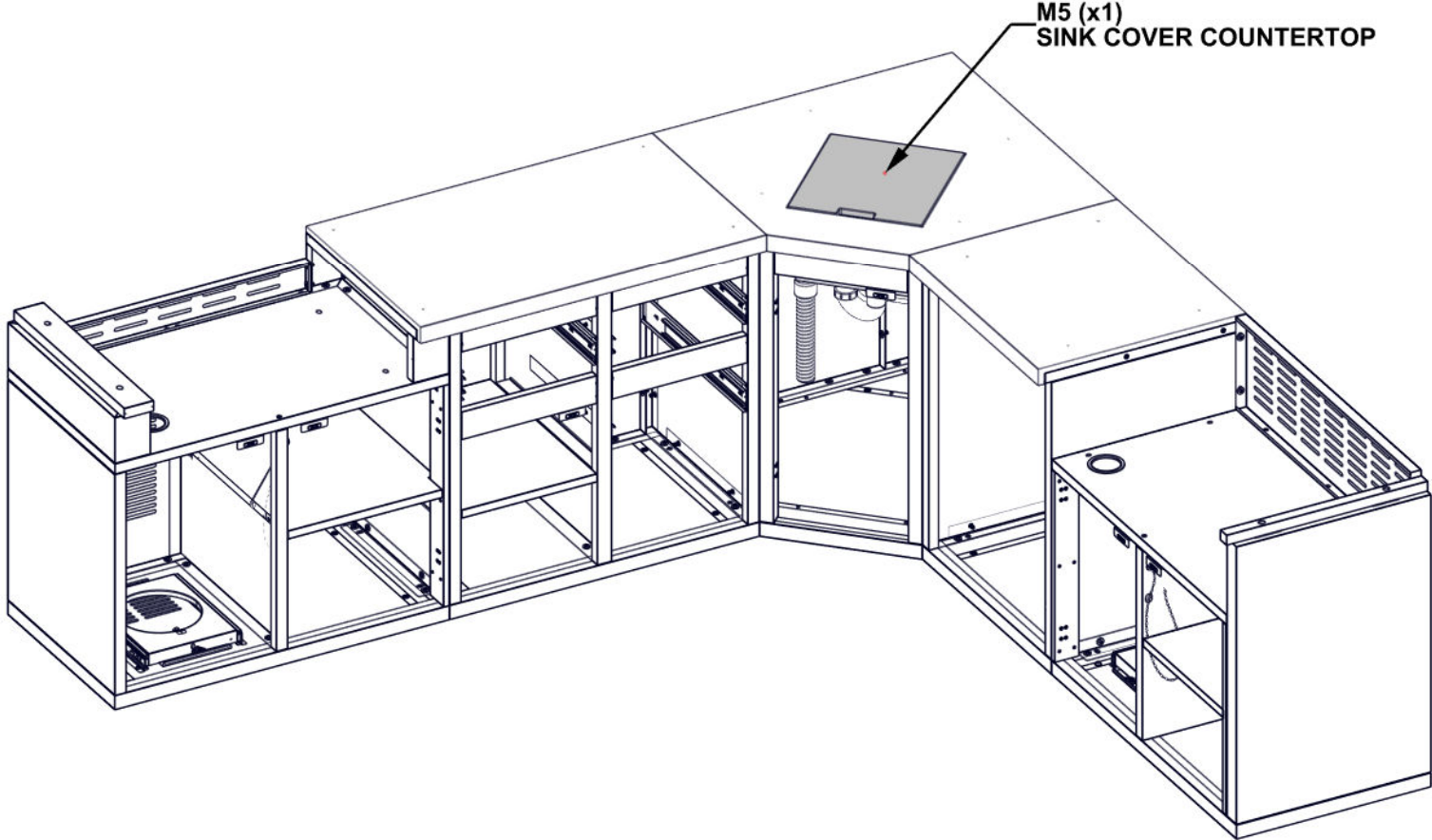
- MAKE SURE YOU ARE USING THE CORRECT HARDWARE FOR THIS STEP.
- ONCE COUNTERTOP IS IN PLACE, IT IS RECOMMENDED TO COVER WITH A PIECE OF CARDBOARD OR FOAM UNTIL ASSEMBLY IS FINISHED TO PREVENT DAMAGE.
- DO NOT USE COUNTERTOP SURFACE AS A WORK BENCH.



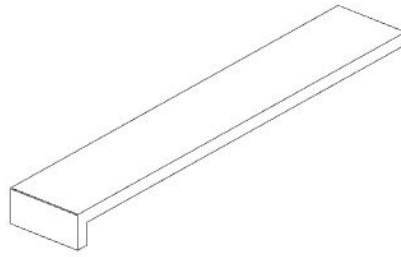
STEP 54- SINK CABINET COUNTERTOP INSTALLATION



M5 SINK COVER COUNTERTOP - A4M05949
(x1) 11/16"x14 3/4"x16 5/16" (18x375x415)

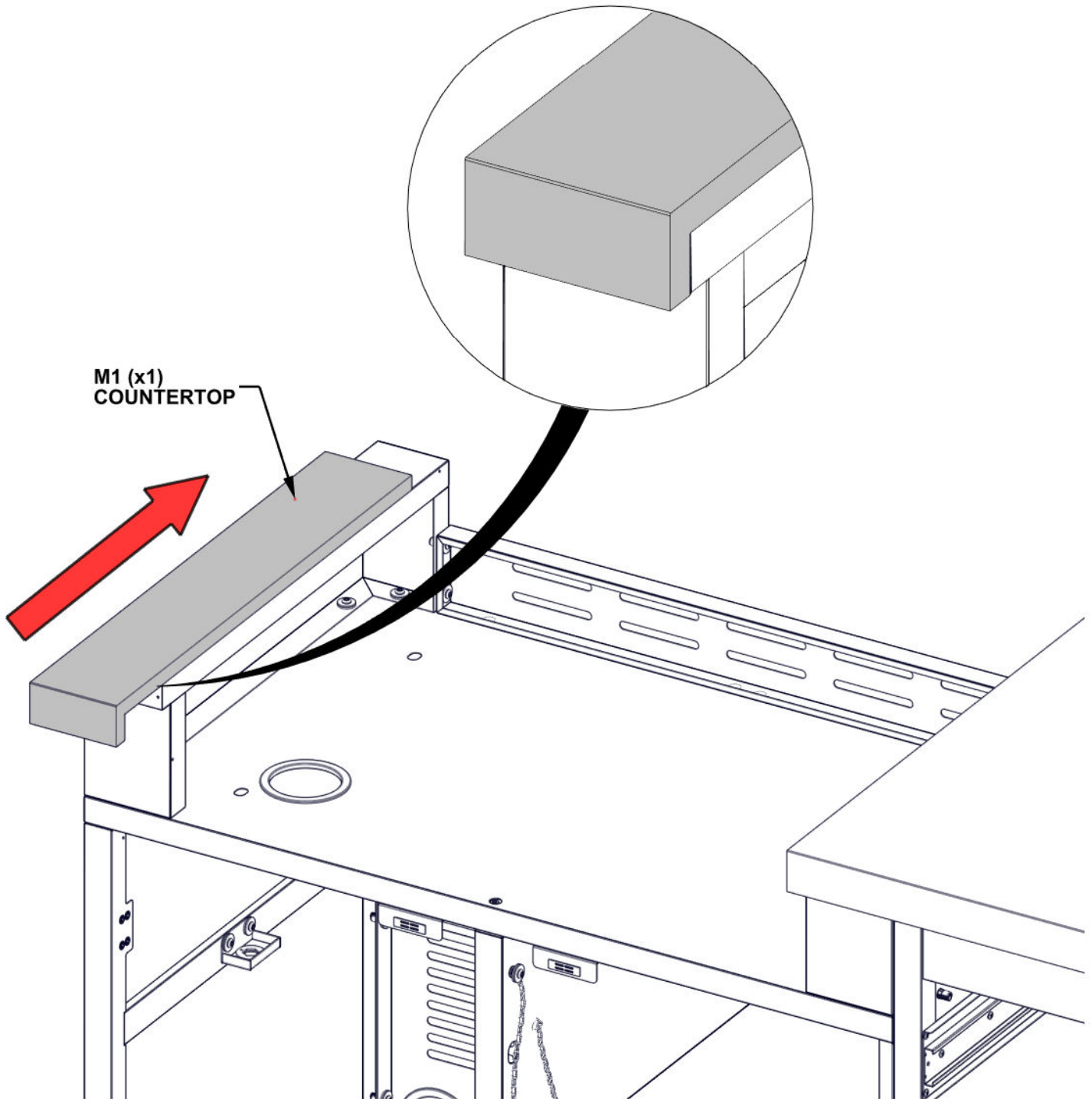


STEP 55A - CABINET COUNTERTOP INSTALLATION



M1 COUNTERTOP - A4M05965
(x1) 24 13/16"x4 5/16"x1 15/16" (50x109x630)

- IT IS RECOMMENDED TO HAVE AT LEAST TWO PEOPLE SET COUNTERTOP IN PLACE.
- SLIDE IN PLACE UNTIL HOLES IN COUNTERTOP ALIGN WITH THE HOLES IN SUPPORT FRAME.
- **WHEN SETTING COUNTERTOP IN PLACE, MAKE SURE YOUR FINGERS ARE CLEAR AND NOT UNDERNEATH COUNTERTOP.**

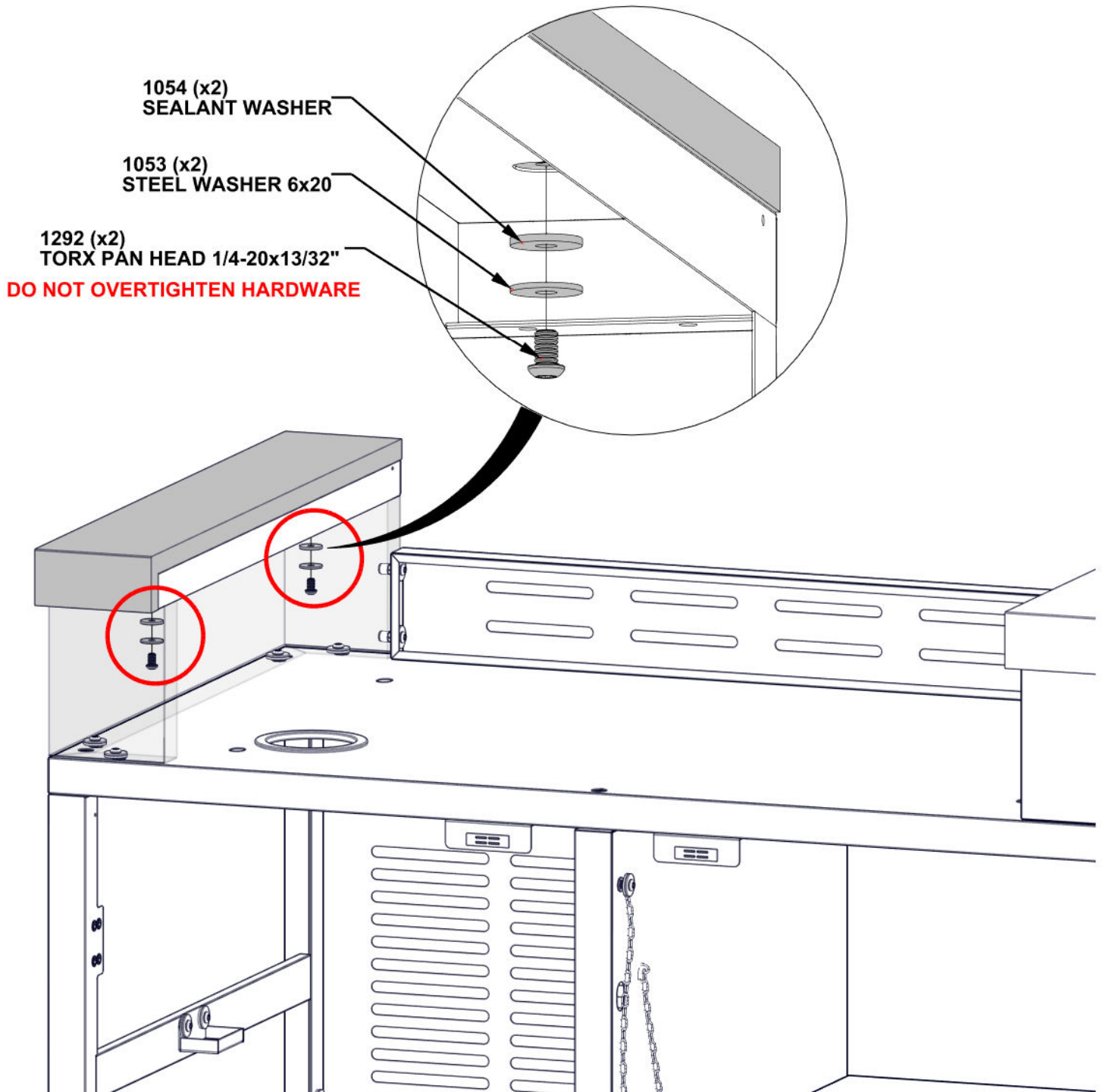


M1 (x1)
COUNTERTOP

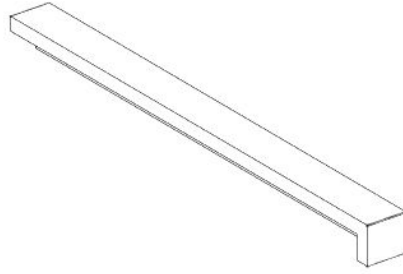
STEP 55B - CABINET COUNTERTOP INSTALLATION

Qty	PartNo	Description
2	H101053	STEEL WASHER 6x20
2	H101054	SEALANT WASHER
2	H101292	TORX PAN HEAD 1/4-20x13/32"

- MAKE SURE YOU ARE USING THE CORRECT HARDWARE FOR THIS STEP.
- ONCE COUNTERTOP IS IN PLACE, IT IS RECOMMENDED TO COVER WITH A PIECE OF CARDBOARD OR FOAM UNTIL ASSEMBLY IS FINISHED TO PREVENT DAMAGE.
- DO NOT USE COUNTERTOP SURFACE AS A WORK BENCH.

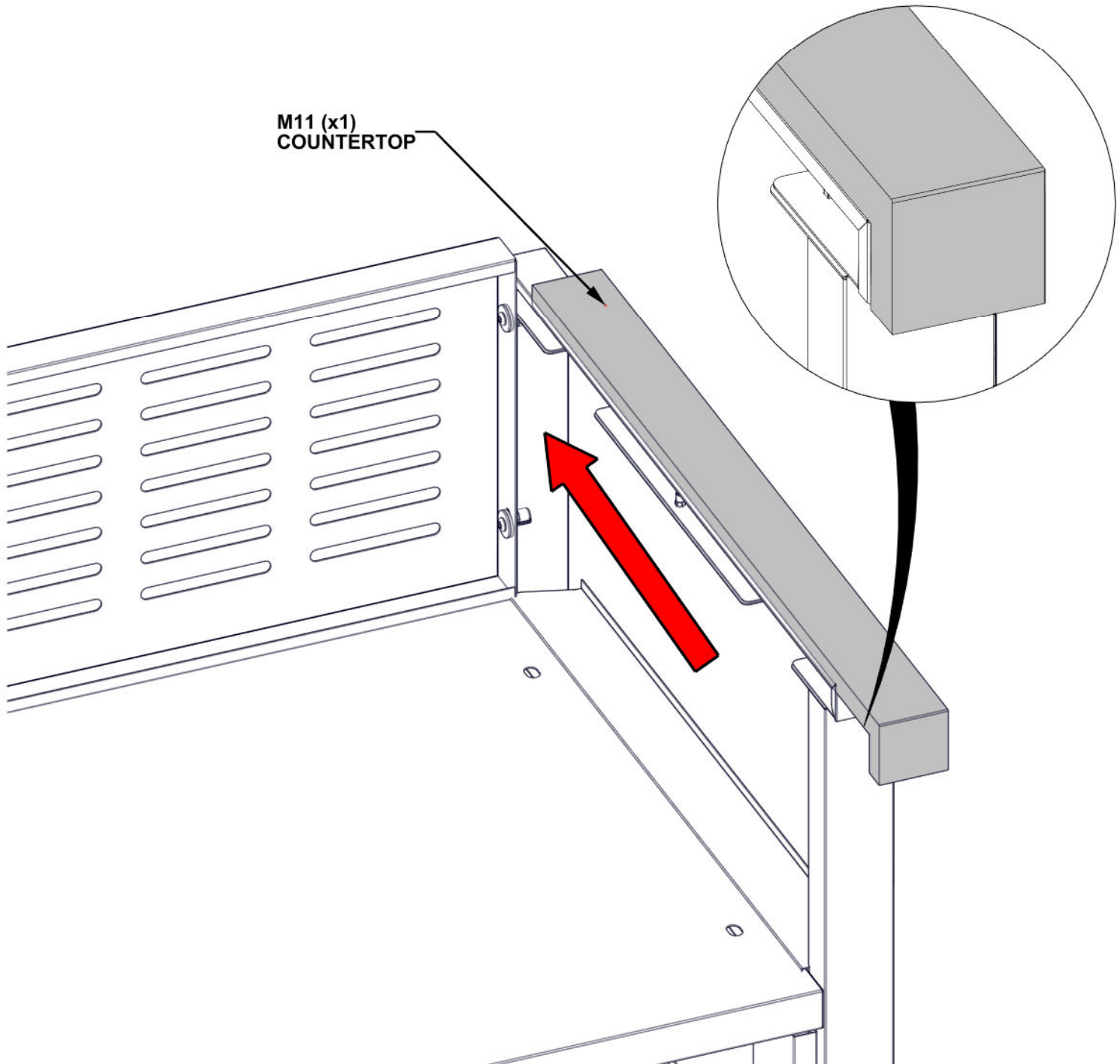


STEP 56A - CABINET COUNTERTOP INSTALLATION



M11 COUNTERTOP - A4M05952
(x1) 24 15/16"x2 1/16"x11/16" (18.00x53.00x634.00)

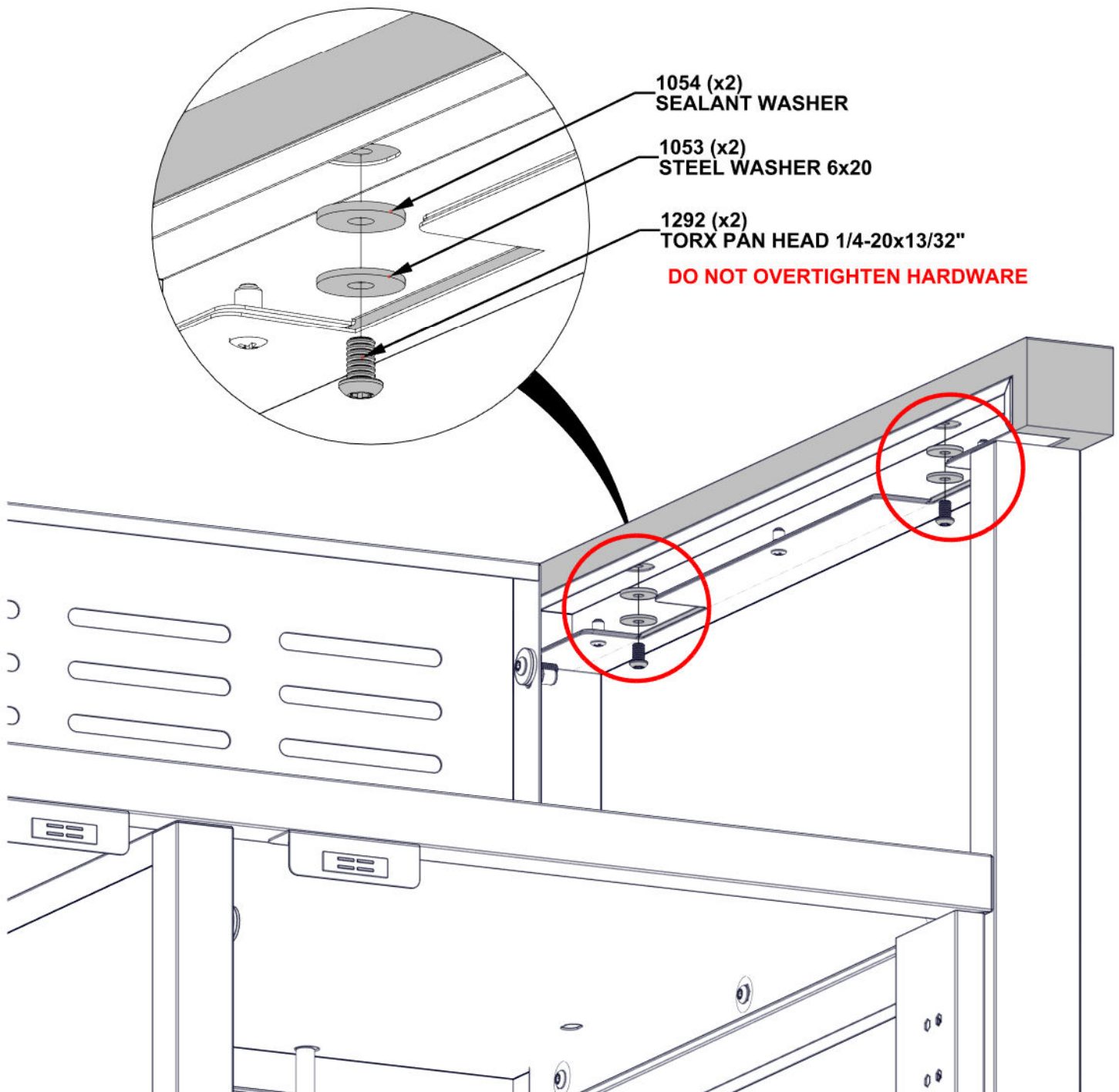
- IT IS RECOMMENDED TO HAVE AT LEAST TWO PEOPLE SET COUNTERTOP IN PLACE.
- SLIDE IN PLACE UNTIL HOLES IN COUNTERTOP ALIGN WITH THE HOLES IN SUPPORT FRAME.
- **WHEN SETTING COUNTERTOP IN PLACE, MAKE SURE YOUR FINGERS ARE CLEAR AND NOT UNDERNEATH COUNTERTOP.**



STEP 56B - CABINET COUNTERTOP INSTALLATION

Qty	PartNo	Description
2	H101053	STEEL WASHER 6x20
2	H101054	SEALANT WASHER
2	H101292	TORX PAN HEAD 1/4-20x13/32"

- MAKE SURE YOU ARE USING THE CORRECT HARDWARE FOR THIS STEP.
- ONCE COUNTERTOP IS IN PLACE, IT IS RECOMMENDED TO COVER WITH A PIECE OF CARDBOARD OR FOAM UNTIL ASSEMBLY IS FINISHED TO PREVENT DAMAGE.
- DO NOT USE COUNTERTOP SURFACE AS A WORK BENCH.

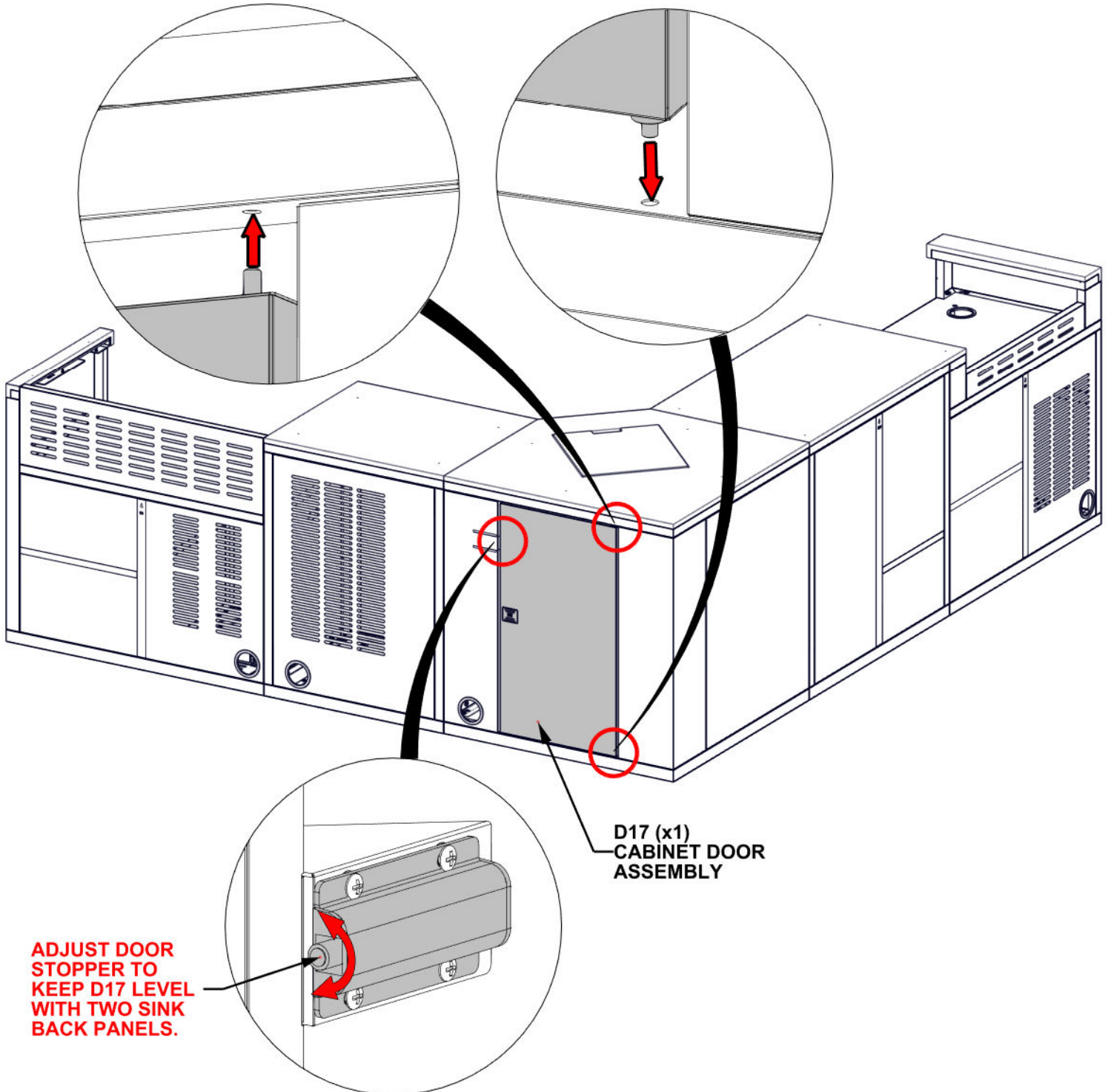


STEP 57 - SINK CABINET DOOR INSTALLATION



D17 CABINET DOOR ASSEMBLY - A4M03682
(x1) 33 7/8"x18 1/4"x15/16" (23.20x463x860.40)

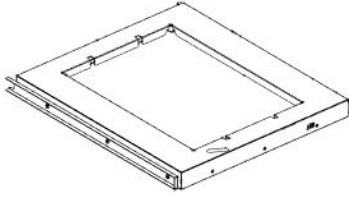
- INSERT HINGE PIN ON BOTTOM DOOR INTO THE HOLE ON FLOOR PANEL.
- PRESS DOWN HINGE PIN ON TOP DOOR INTO THE HOLE ON TOPTABLE ASSEMBLY.



ADJUST DOOR STOPPER TO KEEP D17 LEVEL WITH TWO SINK BACK PANELS.

STEP 58A - TRASH CAN ASSEMBLY

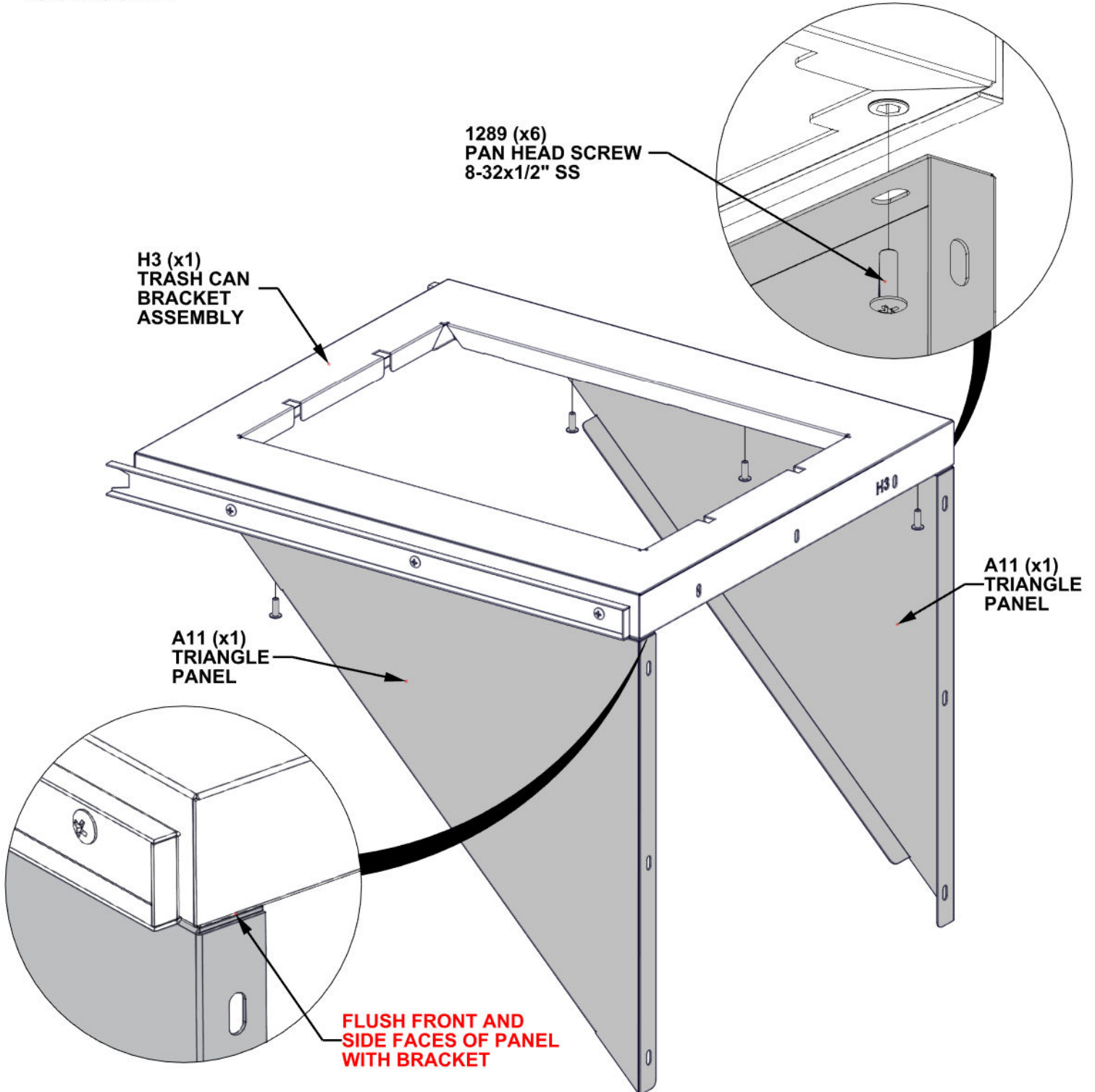
Qty	PartNo	Description
6	H101289	PAN HEAD SCREW 8-32x1/2" SS



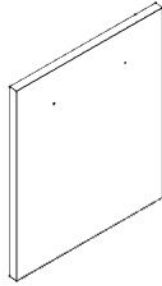
H3 TRASH CAN BRACKET ASSEMBLY - A4M03610
(x1) 18 1/16"x15 13/16"x1 3/8" (35.00x401.60x458.00)

A11 TRIANGLE PANEL - A4M03086
(x2) 13/16"x13 3/4"x13 3/4" (20x350x350)

- IT IS RECOMMENDED TO USE THE 6" MAGNETIC DRIVER EXTENSION PROVIDED IN YOUR HARDWARE KIT FOR THIS STEP.



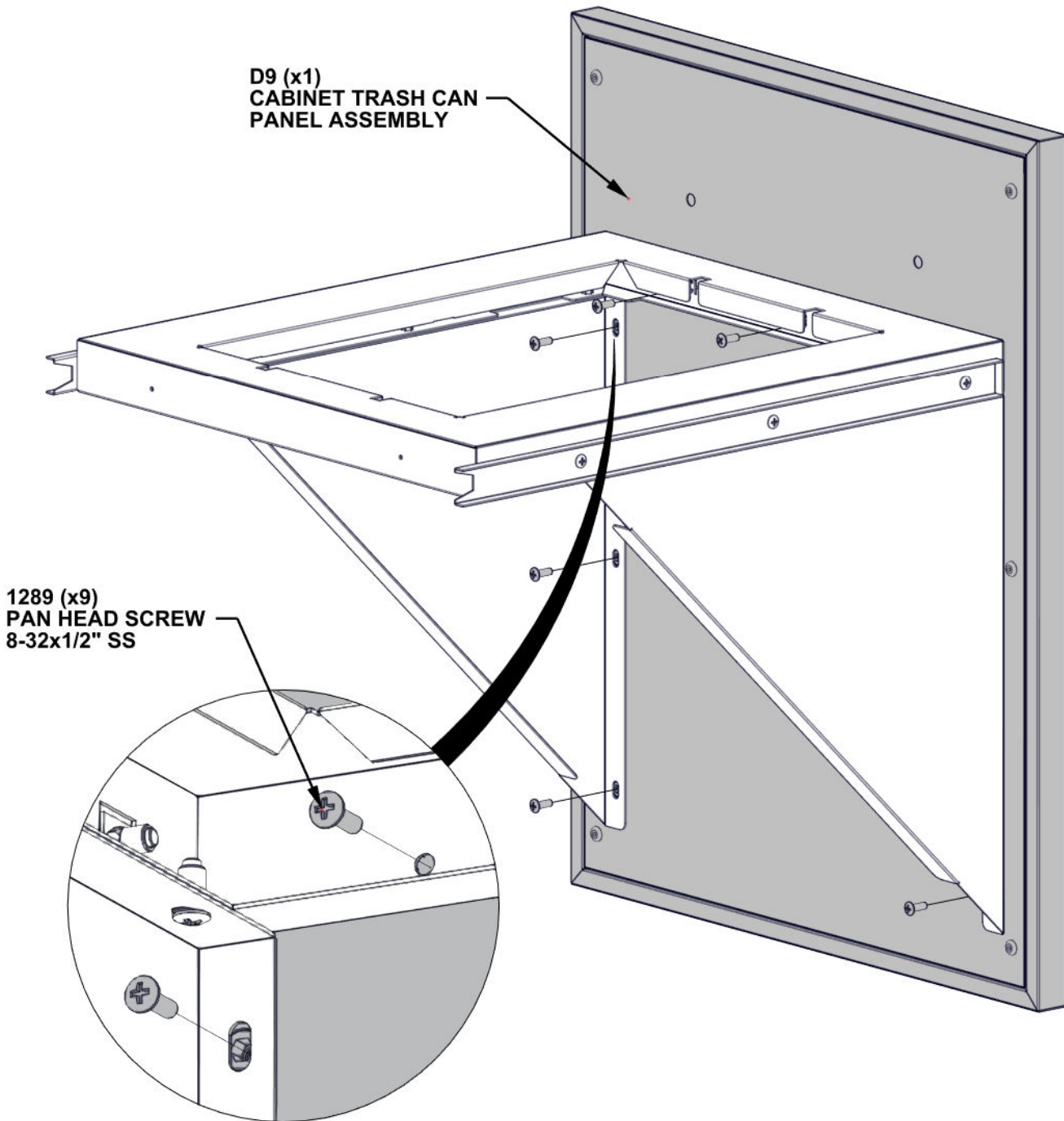
STEP 58B - TRASH CAN ASSEMBLY



Qty	PartNo	Description
9	H101289	PAN HEAD SCREW 8-32x1/2" SS

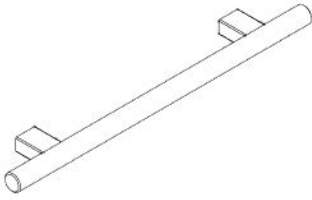
D9 CABINET TRASH CAN PANEL ASSEMBLY - A4M03608
(x1) 22 1/4"x17 3/4"x15/16" (24.00x451.00x565.00)

- IT IS RECOMMENDED TO USE THE 6" MAGNETIC DRIVER EXTENSION PROVIDED IN YOUR HARDWARE KIT FOR THIS STEP.

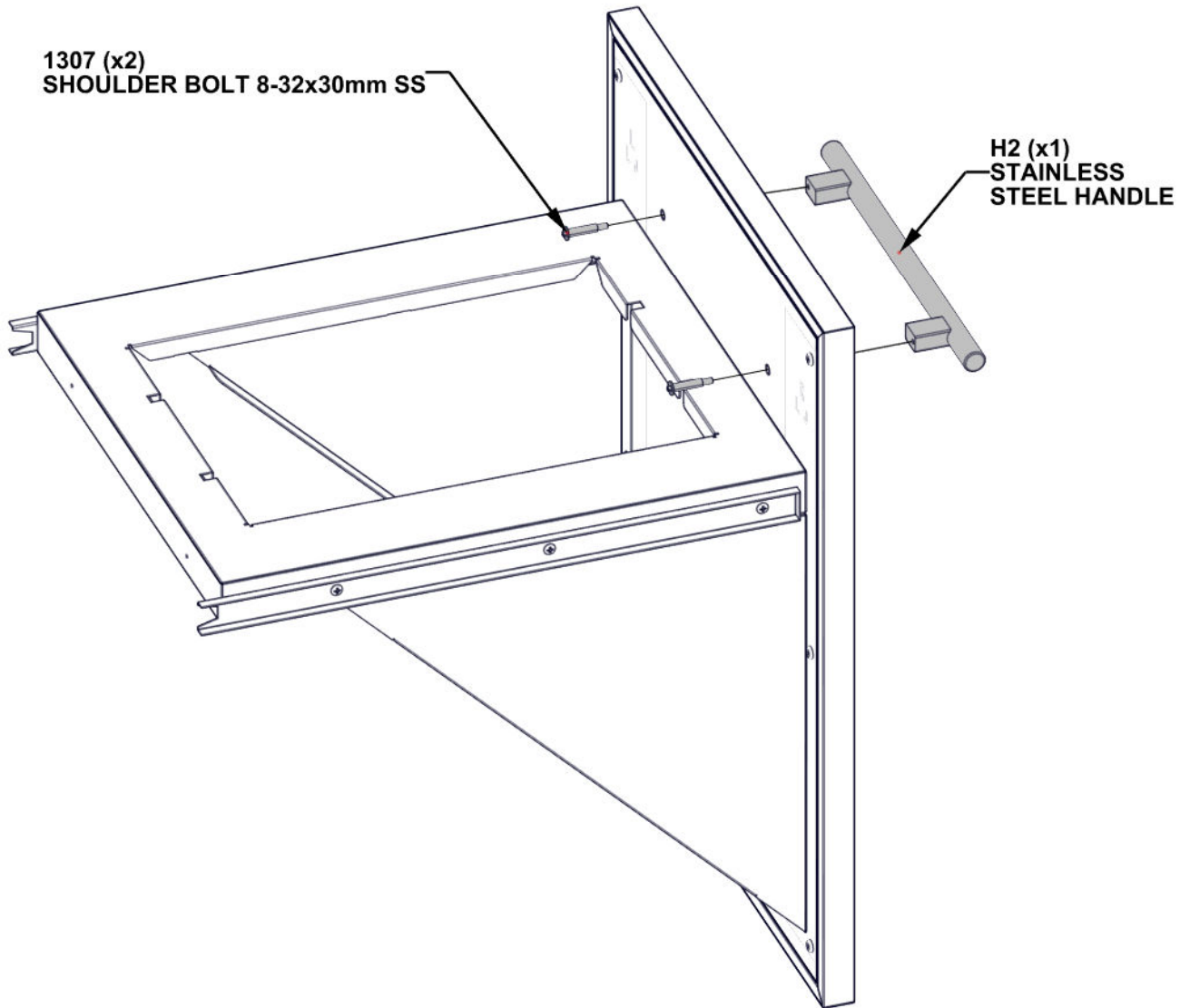


STEP 58C - TRASH CAN ASSEMBLY

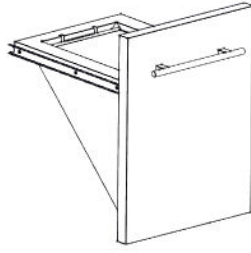
Qty	PartNo	Description
2	H101307	SHOULDER BOLT 8-32x30mm SS



H2 STAINLESS STEEL HANDLE - A4M03024
(x1) 5/8"x1 9/16"x11 13/16" (16x40x300)

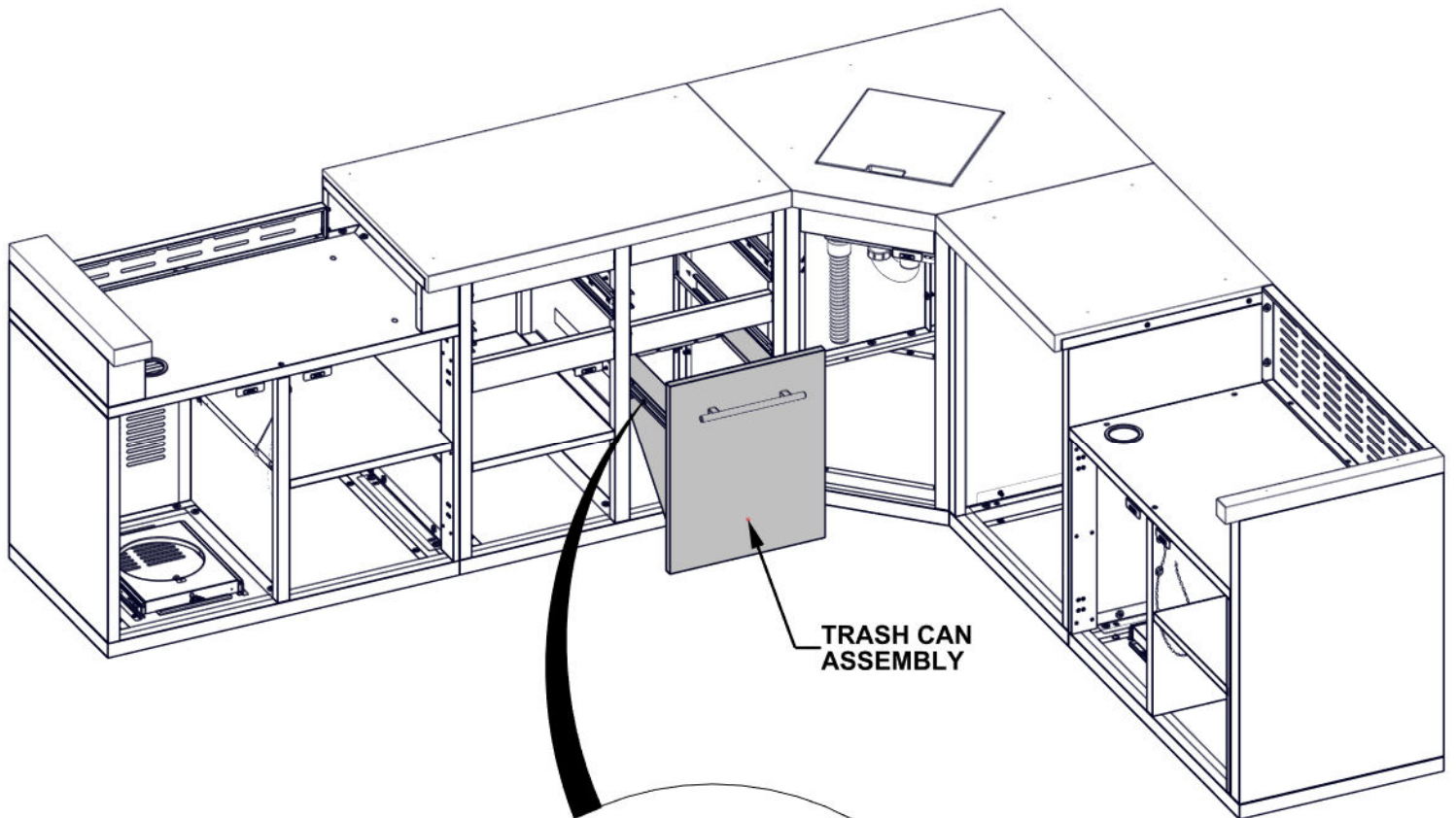


STEP 59 - TRASH CAN INSTALLATION

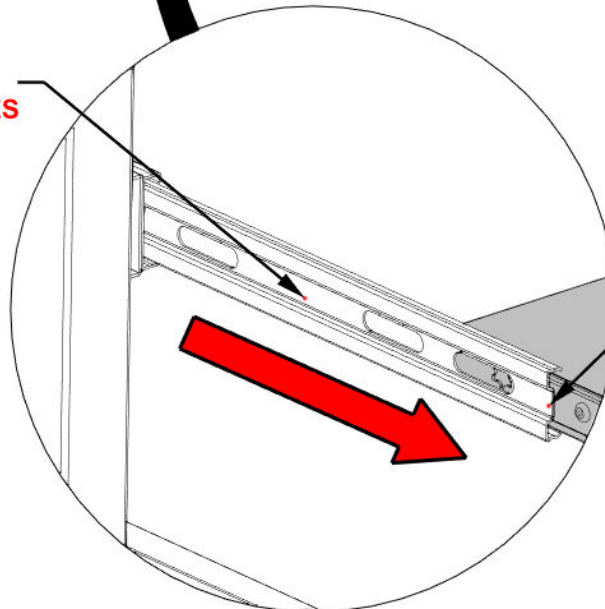


TRASH CAN ASSEMBLY STEPS FROM 58A -58C

- ATTACH TRASH CAN ASSEMBLY BY ALIGNING BOTH ENDS OF FACTORY ASSEMBLED DRAWER SLIDES WITH ONE ANOTHER.
- PRESS TOGETHER UNTIL DRAWER SLIDES CONNECT.



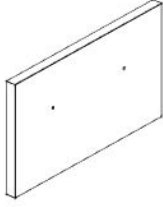
SLIDE INNER RACE OF DRAWER SLIDE OUT BEFORE ATTACHING SLIDES



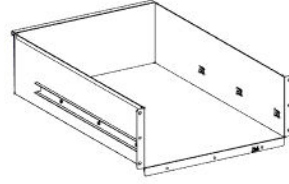
ALIGN DRAWER SLIDES ON BOTH SIDES OF TRASH CAN HOLDER

STEP 60A - DRAWER ASSEMBLY

Qty	PartNo	Description
18	H101289	PAN HEAD SCREW 8-32x1/2" SS

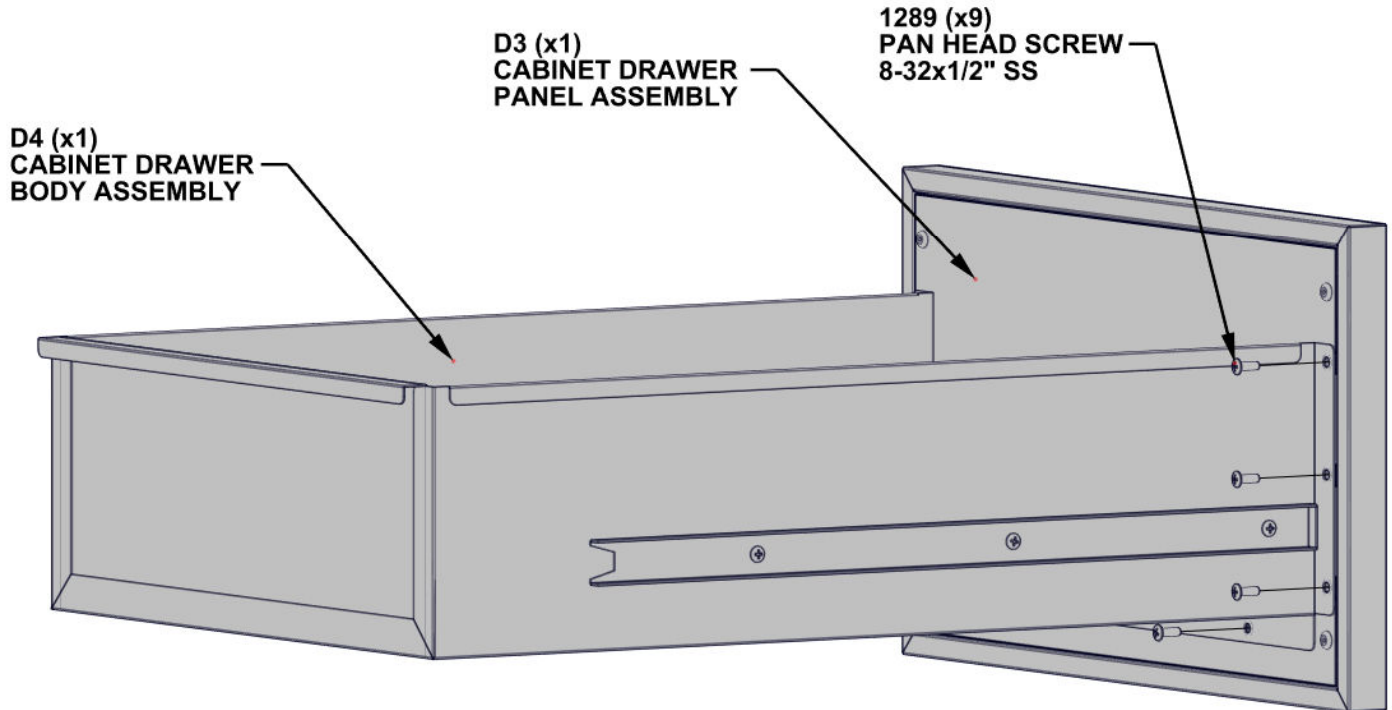


D3 CABINET DRAWER PANEL ASSEMBLY - A4M03569
 (x2) 17 3/4"x10 1/4"x15/16" (24x260x451)



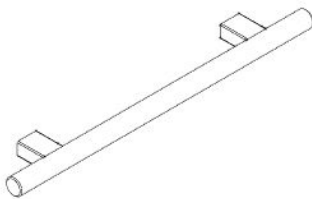
D4 CABINET DRAWER BODY ASSEMBLY - A4M03571
 (x2) 22 1/4"x16 1/16"x6 7/16" (164.2x408.4x565.4)

- REPEAT THIS STEP 2 TIMES.



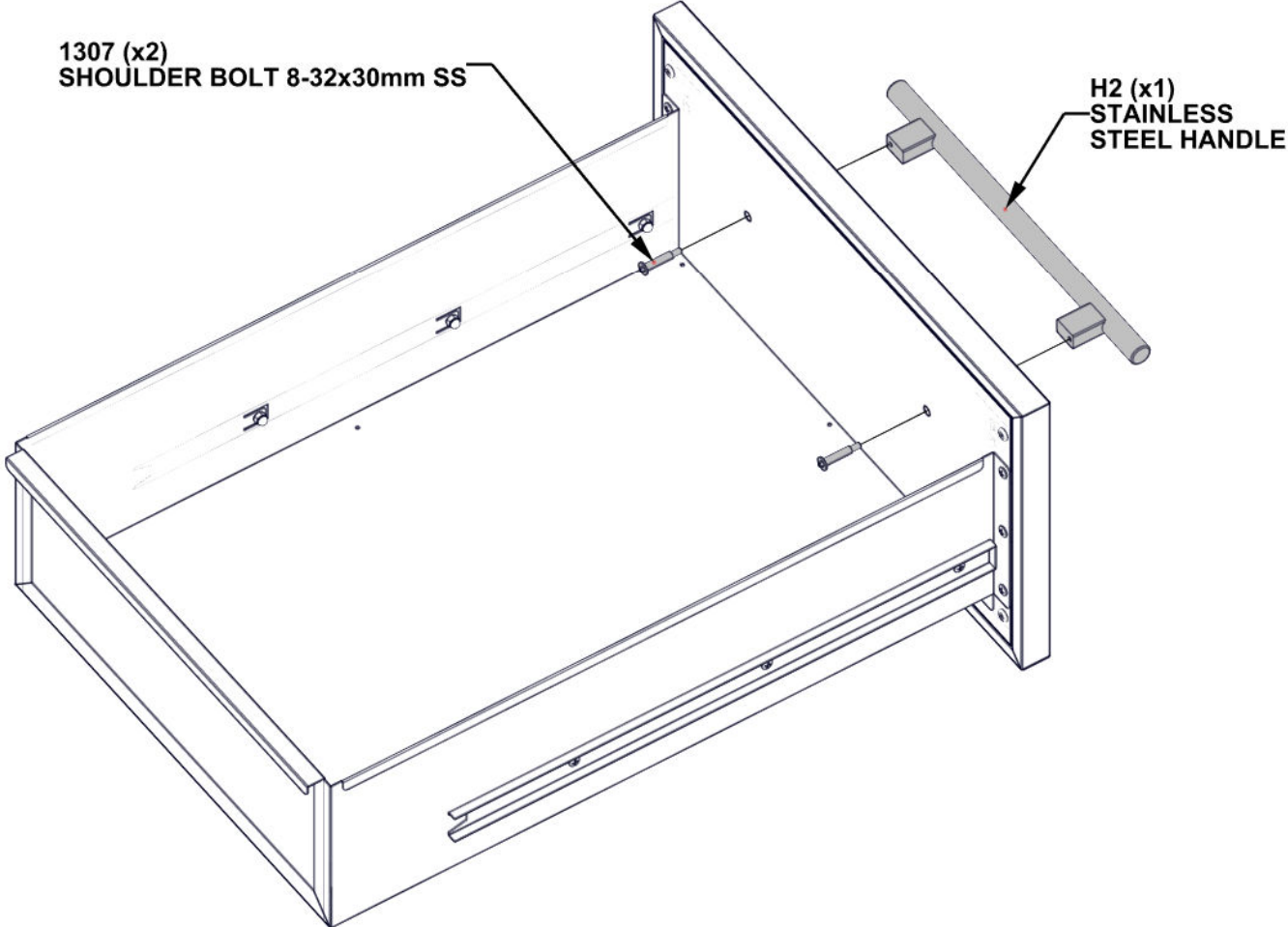
STEP 60B - DRAWER ASSEMBLY

Qty	PartNo	Description
4	H101307	SHOULDER BOLT 8-32x30mm SS

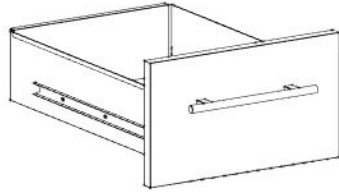


H2 STAINLESS STEEL HANDLE - A4M03024
(x2) 5/8"x1 9/16"x11 13/16" (16x40x300)

- INSTALL DRAWER HANDLE TO DRAWER.
- REPEAT THIS STEP 2 TIMES.

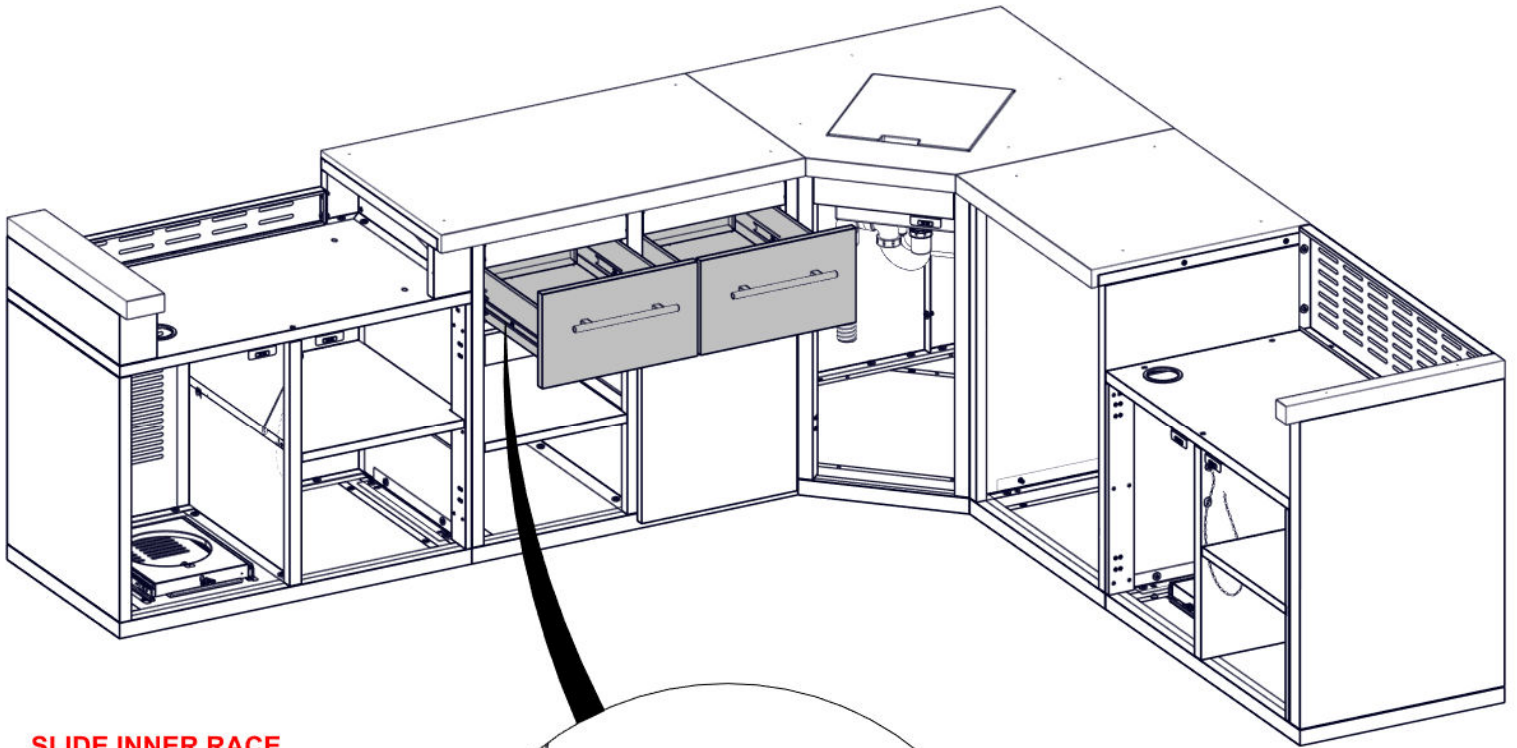


STEP 61 - CABINET DRAWER ATTACHMENT



DRAWER ASSEMBLY STEPS 60A-60B

- ATTACH DRAWER ASSEMBLY BY ALIGNING BOTH ENDS OF FACTORY ASSEMBLED DRAWER SLIDES WITH ONE ANOTHER.
- PRESS TOGETHER UNTIL DRAWER SLIDES CONNECT.



SLIDE INNER RACE OF DRAWER SLIDE OUT BEFORE ATTACHING SLIDES

ALIGN DRAWER SLIDES ON BOTH SIDES OF DRAWER HOLDER

STEP 62A - DOOR ASSEMBLY

Qty	PartNo	Description
24	H101185	PHILLIPS FLAT HEAD 8-32x.5 SCREW



D1 CABINET DOOR PANEL ASSEMBLY L - A4M03546
(x1) 28 7/16"x19 5/8"x15/16" (24x498x722.5)



D7 CABINET DOOR ASSEMBLY L - A4M03587
(x1) 24 13/16"x19 1/16"x15/16" (24x484.15x630)



D2 CABINET DOOR PANEL ASSEMBLY R - A4M03555
(x1) 28 7/16"x19 5/8"x15/16" (24x498x722.5)



D8 CABINET DOOR ASSEMBLY R - A4M03590
(x1) 24 13/16"x19 1/16"x15/16" (24x484.15x630)



D6 CABINET DOOR ASSEMBLY L - A4M03577
(x1) 22 1/4"x17 13/16"x15/16" (24x452x565)



D23 CABINET FRONT DOOR ASSEMBLY - A4M04720
(x1) 33 1/16"x16 1/16"x15/16" (24x408x840)



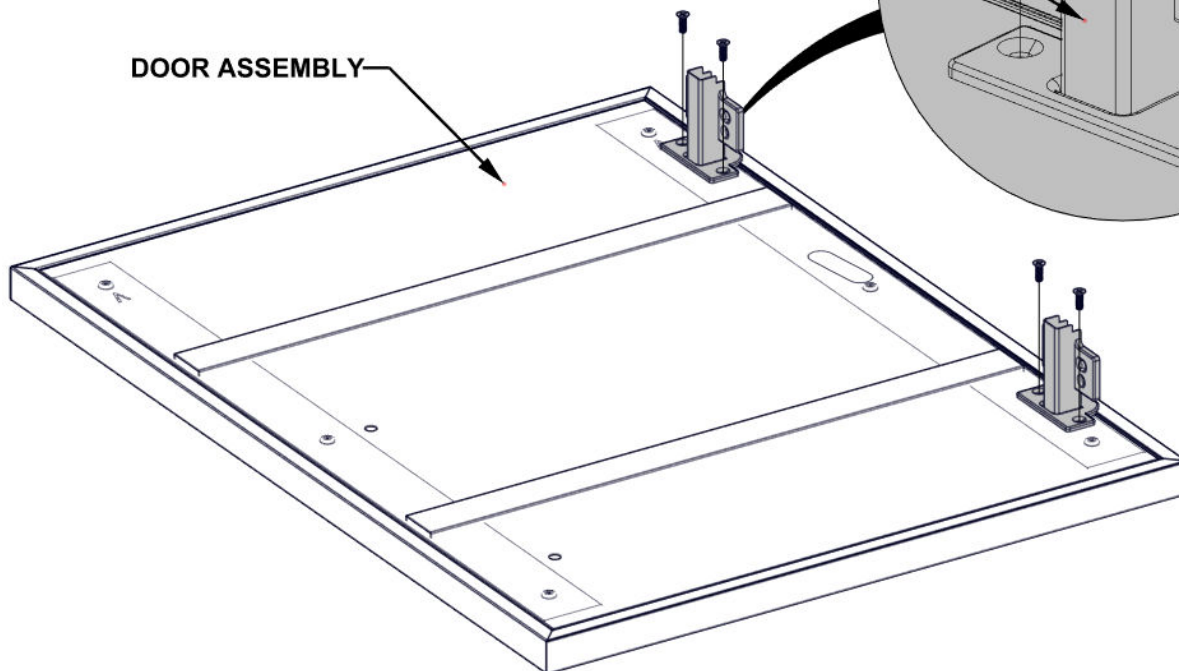
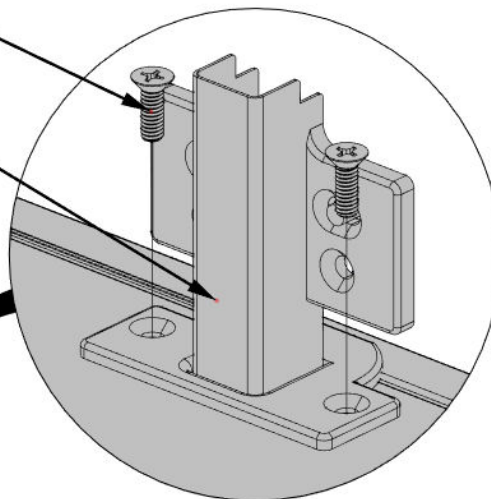
A4M03025 FULL OVERLAY HINGE
(x12)

- INSTALL CABINET HINGES TO ALL DOORS.

- DO NOT OVERTIGHTEN HARDWARE.
- REPEAT FOR ALL DOOR ASSEMBLIES
IN THIS STEP.

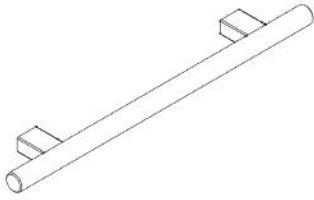
1185 (x4)
PHILLIPS FLAT HEAD
8-32x.5 SCREW

3025 (x2)
FULL OVERLAY HINGE



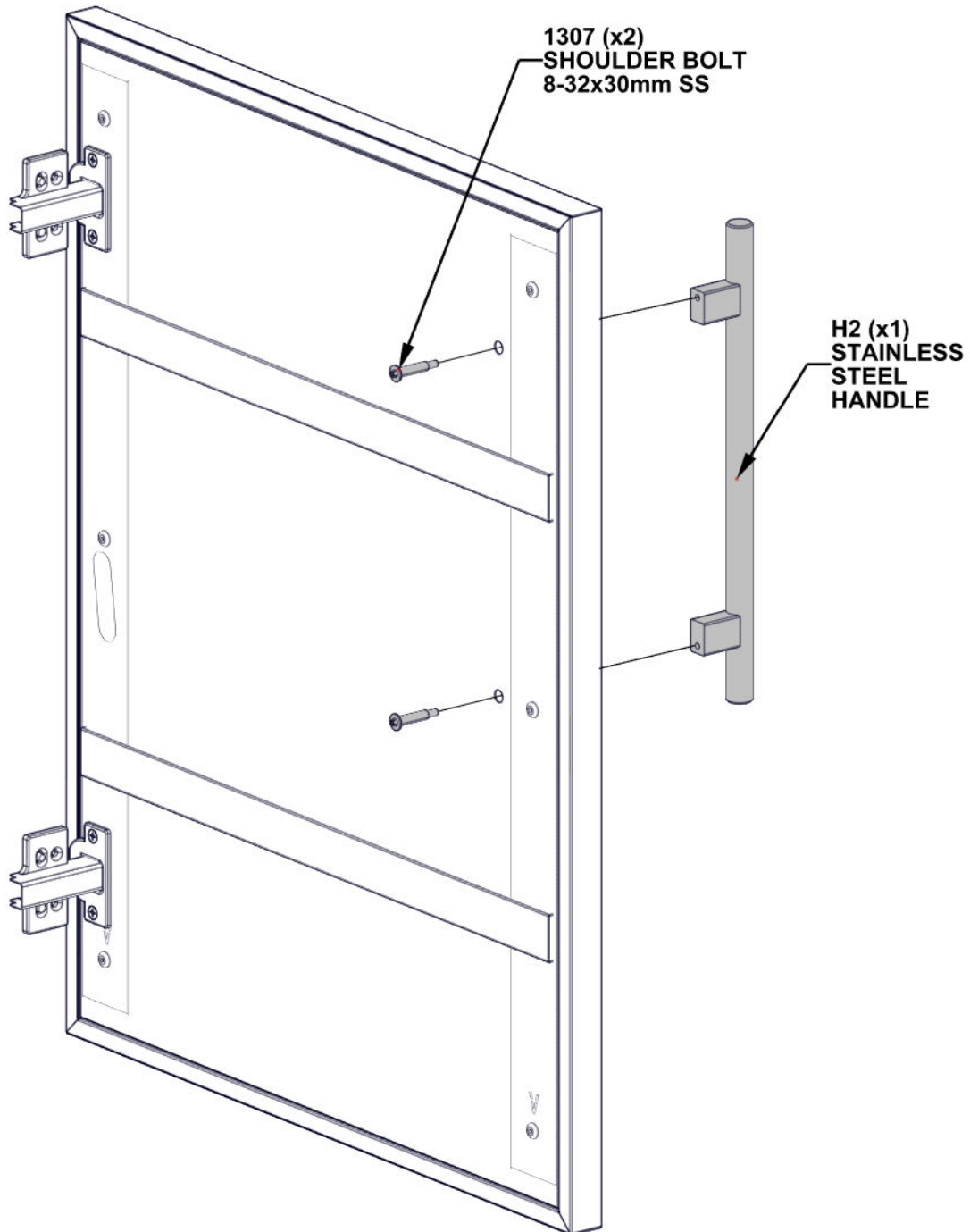
STEP 62B - DOOR ASSEMBLY

Qty	PartNo	Description
12	H101307	SHOULDER BOLT 8-32x30mm SS



H2 STAINLESS STEEL HANDLE - A4M03024
(x6) 5/8"x1 9/16"x11 13/16" (16x40x300)

- INSTALL CABINET HANDLES TO ALL DOORS.
- REPEAT THIS STEP 6 TIMES.



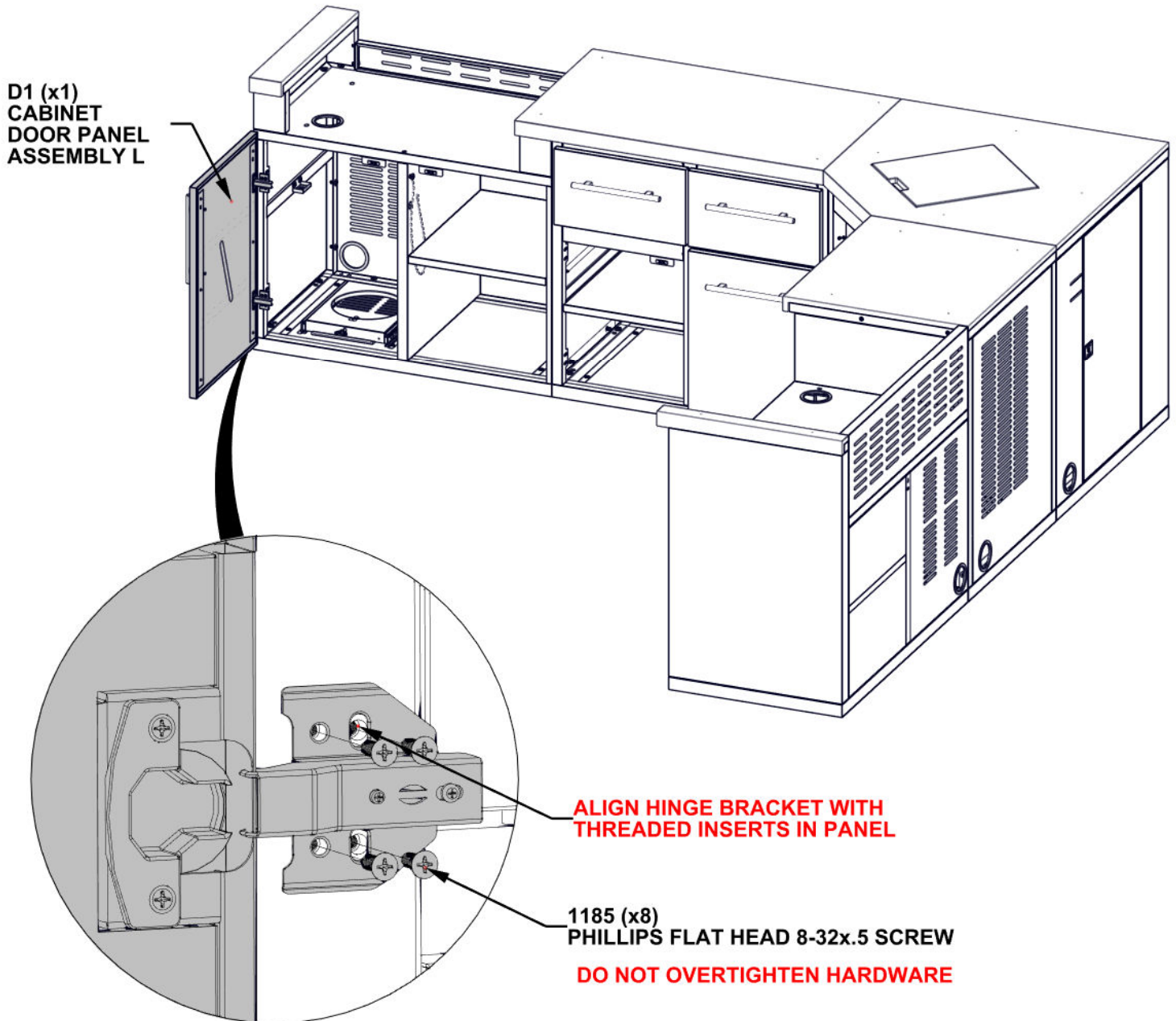
STEP 63 - CABINET DOOR ATTACHMENT



Qty	PartNo	Description
8	H101185	PHILLIPS FLAT HEAD 8-32x.5 SCREW

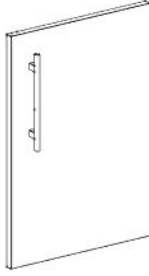
D1 CABINET DOOR PANEL ASSEMBLY L - A4M03546
(x1) 28 7/16"x19 5/8"x15/16" (24x498x722.5)

- FOR THIS STEP IT IS HELPFUL TO HAVE AN ADDITIONAL PERSON HELP HOLD DOOR IN PLACE.
- WITH CABINET HINGES ATTACHED TO DOOR, ALIGN HOLES IN HINGE BRACKET WITH THREADED INSERTS IN SIDE OF CABINET PANEL.



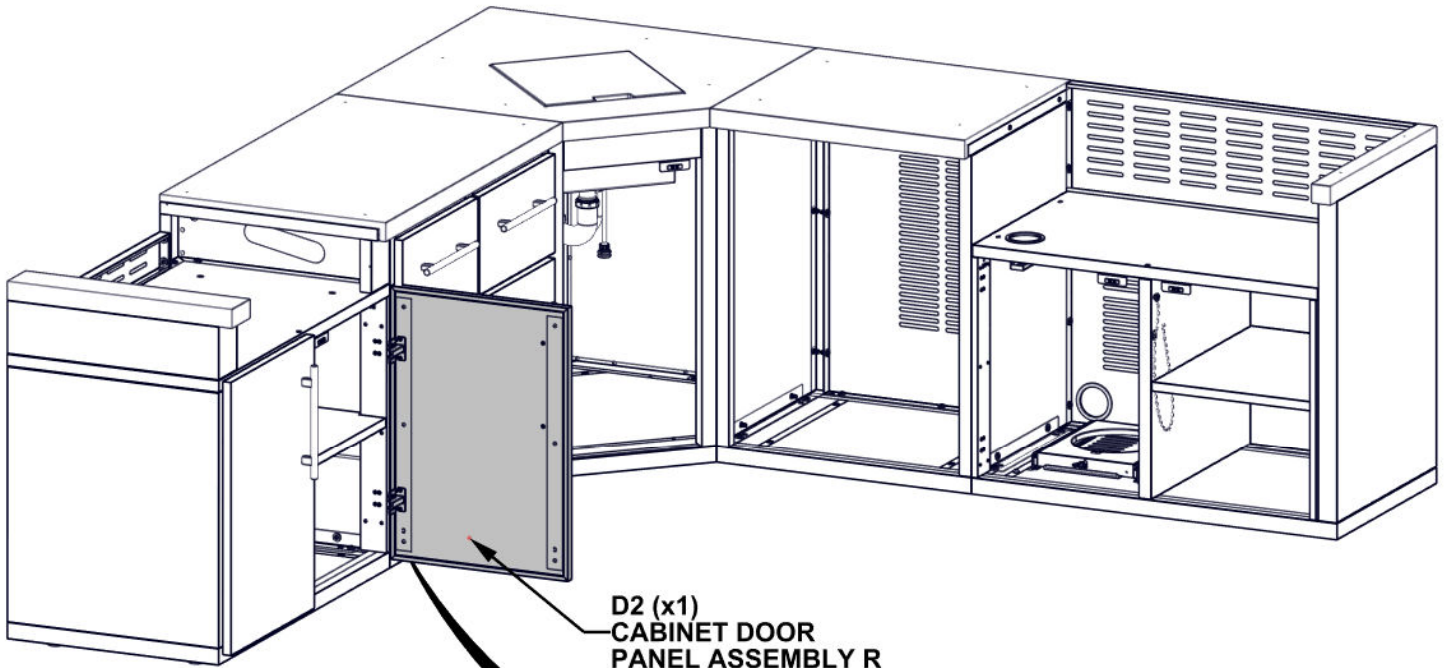
STEP 64 - CABINET DOOR ATTACHMENT

Qty	PartNo	Description
8	H101185	PHILLIPS FLAT HEAD 8-32x.5 SCREW



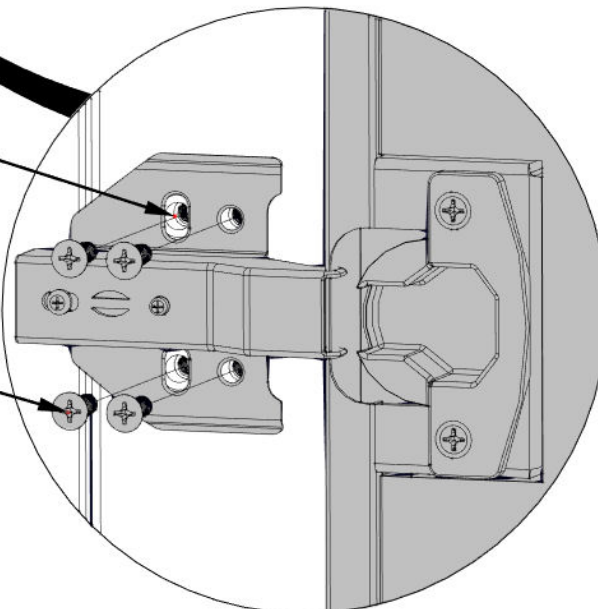
D2 CABINET DOOR PANEL ASSEMBLY R - A4M03555
(x1) 28 7/16"x19 5/8"x15/16" (24x498x722.5)

- FOR THIS STEP IT IS HELPFUL TO HAVE AN ADDITIONAL PERSON HELP HOLD DOOR IN PLACE.
- WITH CABINET HINGES ATTACHED TO DOOR, ALIGN HOLES IN HINGE BRACKET WITH THREADED INSERTS IN SIDE OF CABINET PANEL.

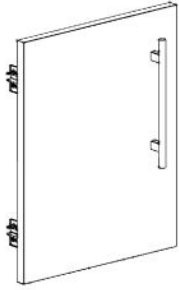


**ALIGN HINGE BRACKET WITH
THREADED INSERTS IN PANEL**

1185 (x8)
PHILLIPS FLAT HEAD 8-32x.5 SCREW
DO NOT OVERTIGHTEN HARDWARE



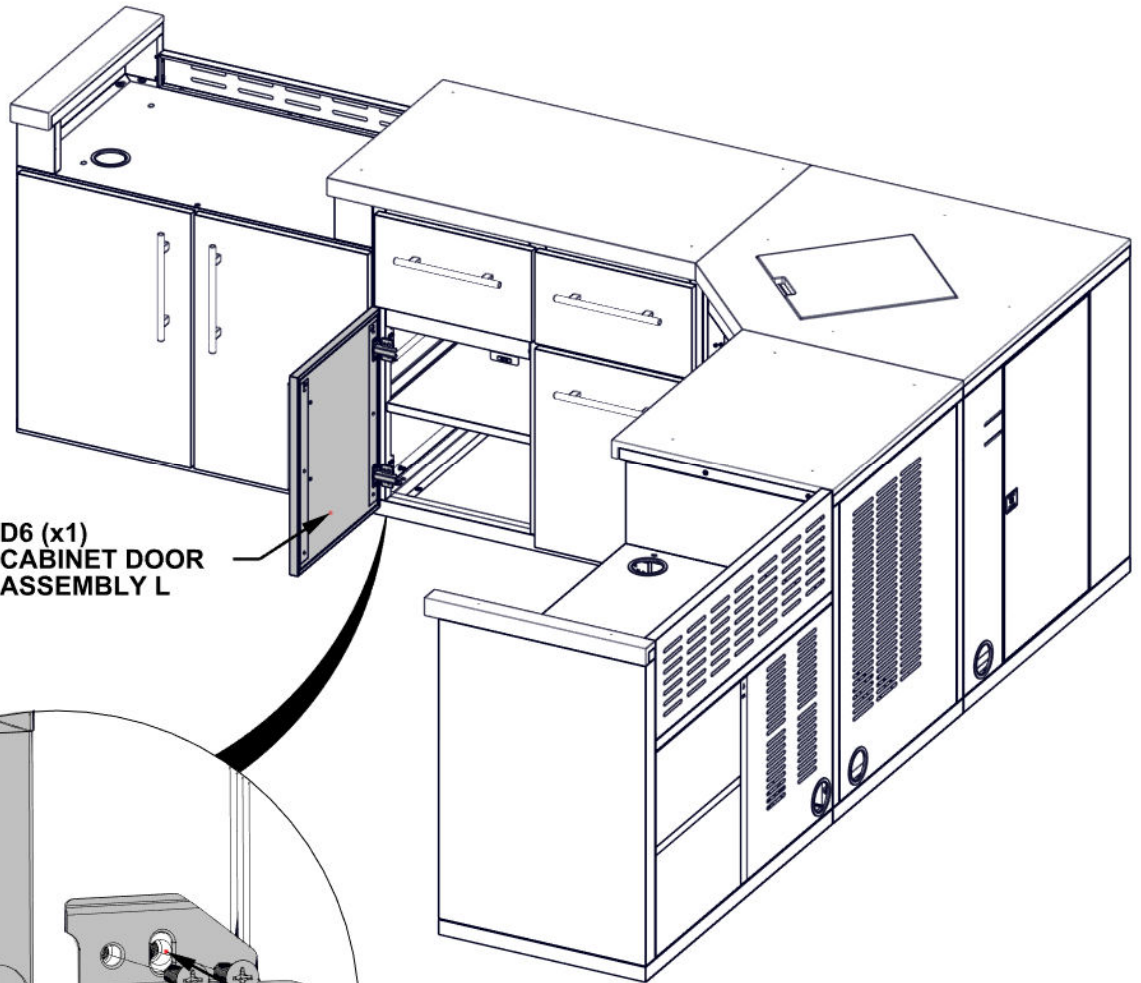
STEP 65 - CABINET DOOR ATTACHMENT



Qty	PartNo	Description
8	H101185	PHILLIPS FLAT HEAD 8-32x.5 SCREW

D6 CABINET DOOR ASSEMBLY L - A4M03577
(x1) 22 1/4"x17 13/16"x15/16" (24x452x565)

- FOR THIS STEP IT IS HELPFUL TO HAVE AN ADDITIONAL PERSON HELP HOLD DOOR IN PLACE.
- WITH CABINET HINGES ATTACHED TO DOOR, ALIGN HOLES IN HINGE BRACKET WITH THREADED INSERTS IN SIDE OF CABINET PANEL.



D6 (x1)
CABINET DOOR
ASSEMBLY L

**ALIGN HINGE BRACKET WITH
THREADED INSERTS IN PANEL**

**1185 (x8)
PHILLIPS FLAT HEAD 8-32x.5 SCREW**

DO NOT OVERTIGHTEN HARDWARE

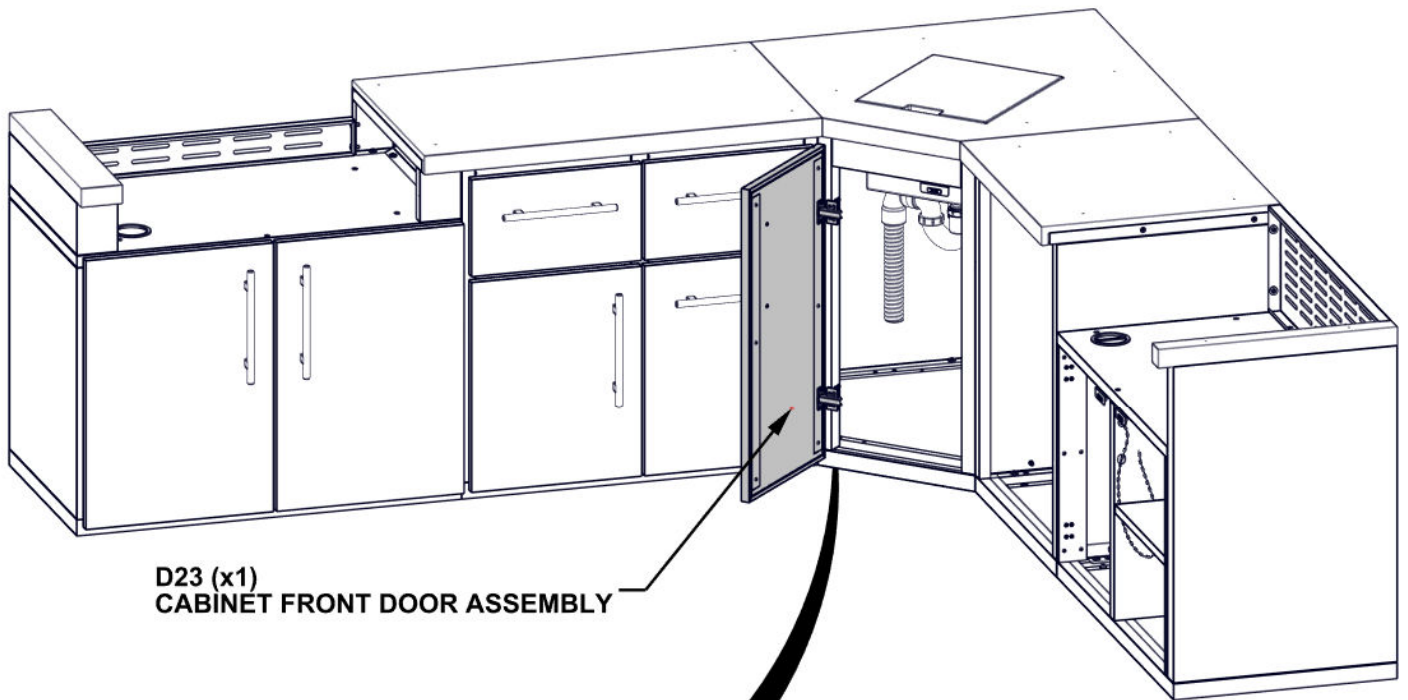
STEP 66 - CABINET DOOR ATTACHMENT



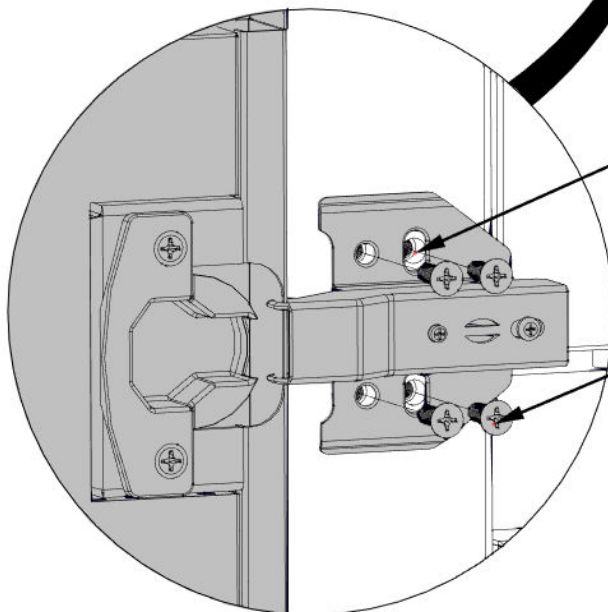
Qty	PartNo	Description
8	H101185	PHILLIPS FLAT HEAD 8-32x.5 SCREW

D23 CABINET FRONT DOOR ASSEMBLY - A4M04720
(x1) 33 1/16"x16 1/16"x15/16" (24x408x840)

- FOR THIS STEP IT IS HELPFUL TO HAVE AN ADDITIONAL PERSON HELP HOLD DOOR IN PLACE.
- WITH CABINET HINGES ATTACHED TO DOOR, ALIGN HOLES IN HINGE BRACKET WITH THREADED INSERTS IN SIDE OF CABINET PANEL.



D23 (x1)
CABINET FRONT DOOR ASSEMBLY

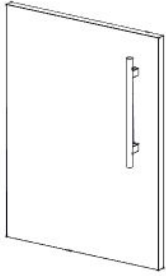


**ALIGN HINGE BRACKET WITH
THREADED INSERTS IN PANEL**

1185 (x8)
PHILLIPS FLAT HEAD 8-32x.5 SCREW

DO NOT OVERTIGHTEN HARDWARE

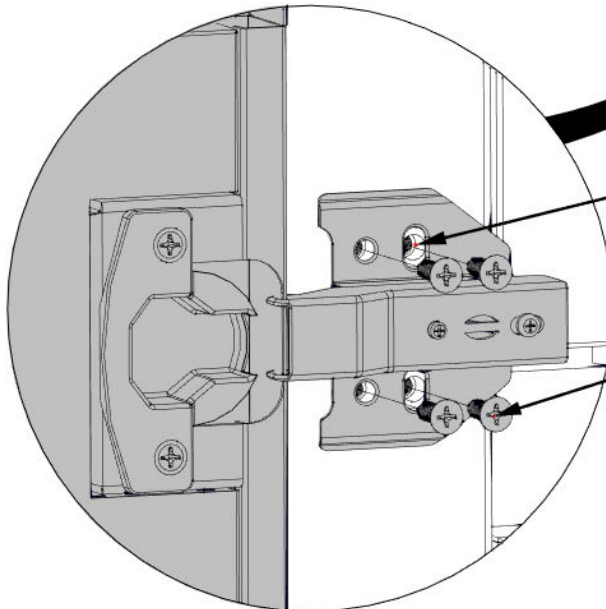
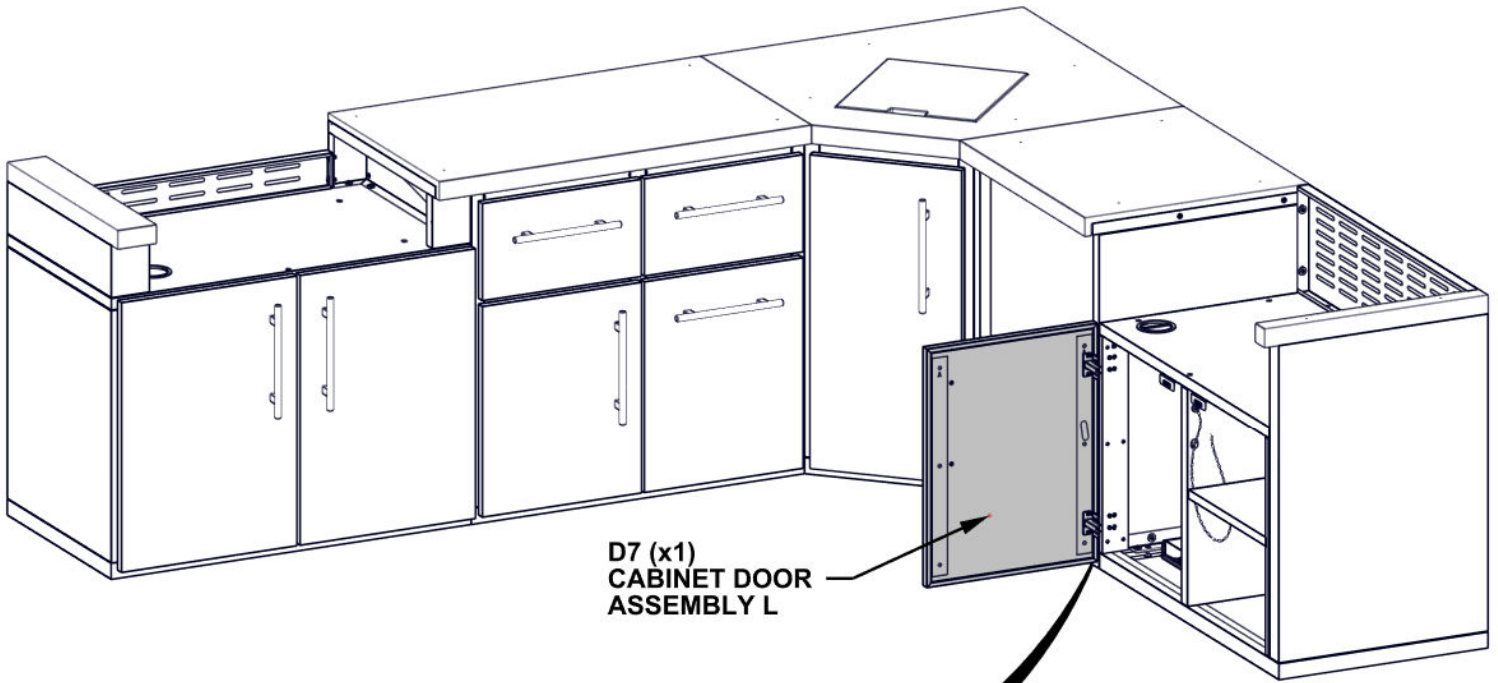
STEP 67 - CABINET DOOR ATTACHMENT



Qty	PartNo	Description
8	H101185	PHILLIPS FLAT HEAD 8-32x.5 SCREW

D7 CABINET DOOR ASSEMBLY L - A4M03587
(x1) 24 13/16"x19 1/16"x15/16" (24x484.15x630)

- FOR THIS STEP IT IS HELPFUL TO HAVE AN ADDITIONAL PERSON HELP HOLD DOOR IN PLACE.
- WITH CABINET HINGES ATTACHED TO DOOR, ALIGN HOLES IN HINGE BRACKET WITH THREADED INSERTS IN SIDE OF CABINET PANEL.



**ALIGN HINGE BRACKET WITH
THREADED INSERTS IN PANEL**

**1185 (x8)
PHILLIPS FLAT HEAD 8-32x.5 SCREW**

DO NOT OVERTIGHTEN HARDWARE

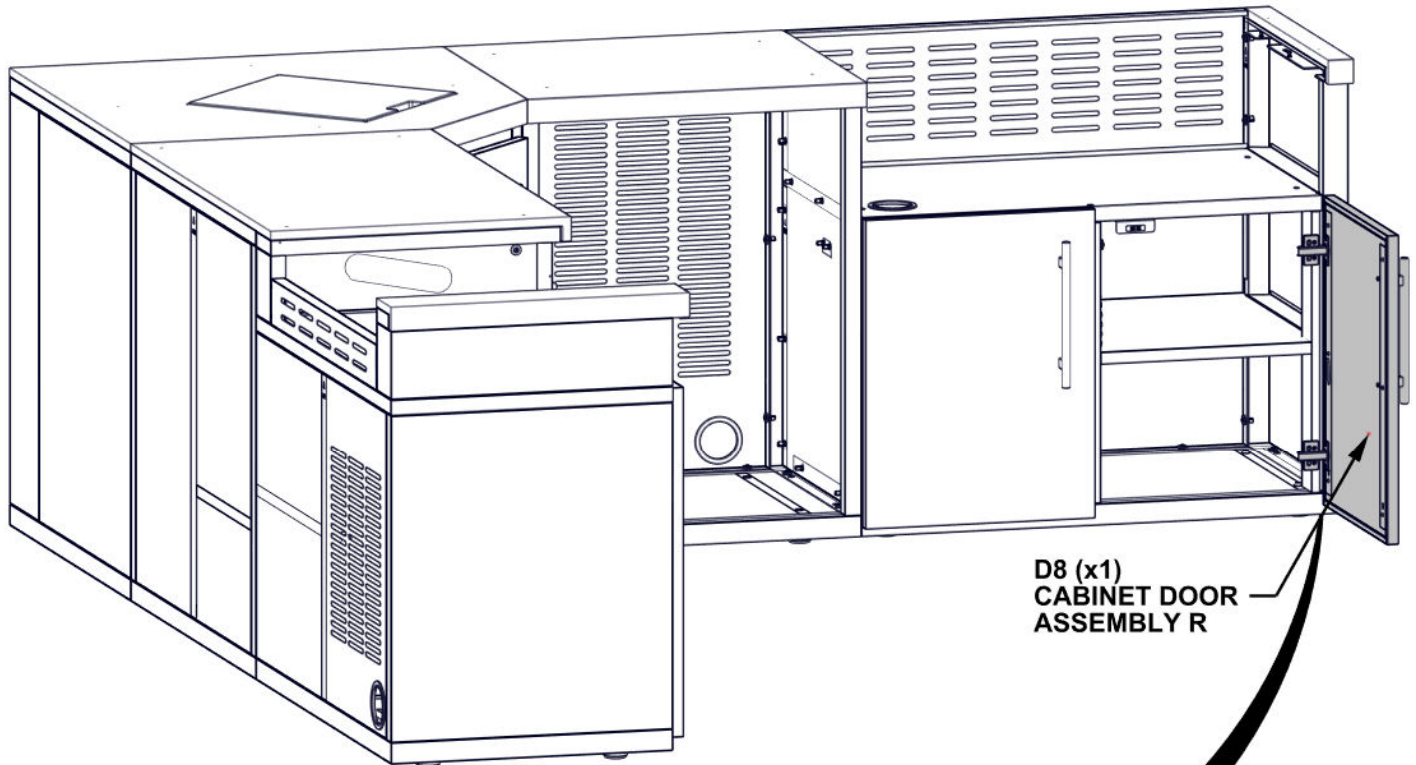
STEP 68 - CABINET DOOR ATTACHMENT



Qty	PartNo	Description
8	H101185	PHILLIPS FLAT HEAD 8-32x.5 SCREW

D8 CABINET DOOR ASSEMBLY R - A4M03590
(x1) 24 13/16"x19 1/16"x15/16" (24x484.15x630)

- FOR THIS STEP IT IS HELPFUL TO HAVE AN ADDITIONAL PERSON HELP HOLD DOOR IN PLACE.
- WITH CABINET HINGES ATTACHED TO DOOR, ALIGN HOLES IN HINGE BRACKET WITH THREADED INSERTS IN SIDE OF CABINET PANEL.

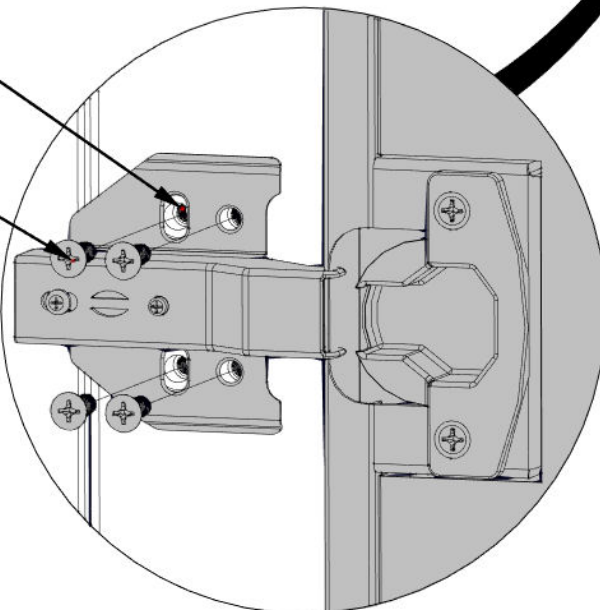


D8 (x1)
CABINET DOOR
ASSEMBLY R

**ALIGN HINGE BRACKET WITH
THREADED INSERTS IN PANEL**

1185 (x8)
PHILLIPS FLAT HEAD 8-32x.5 SCREW

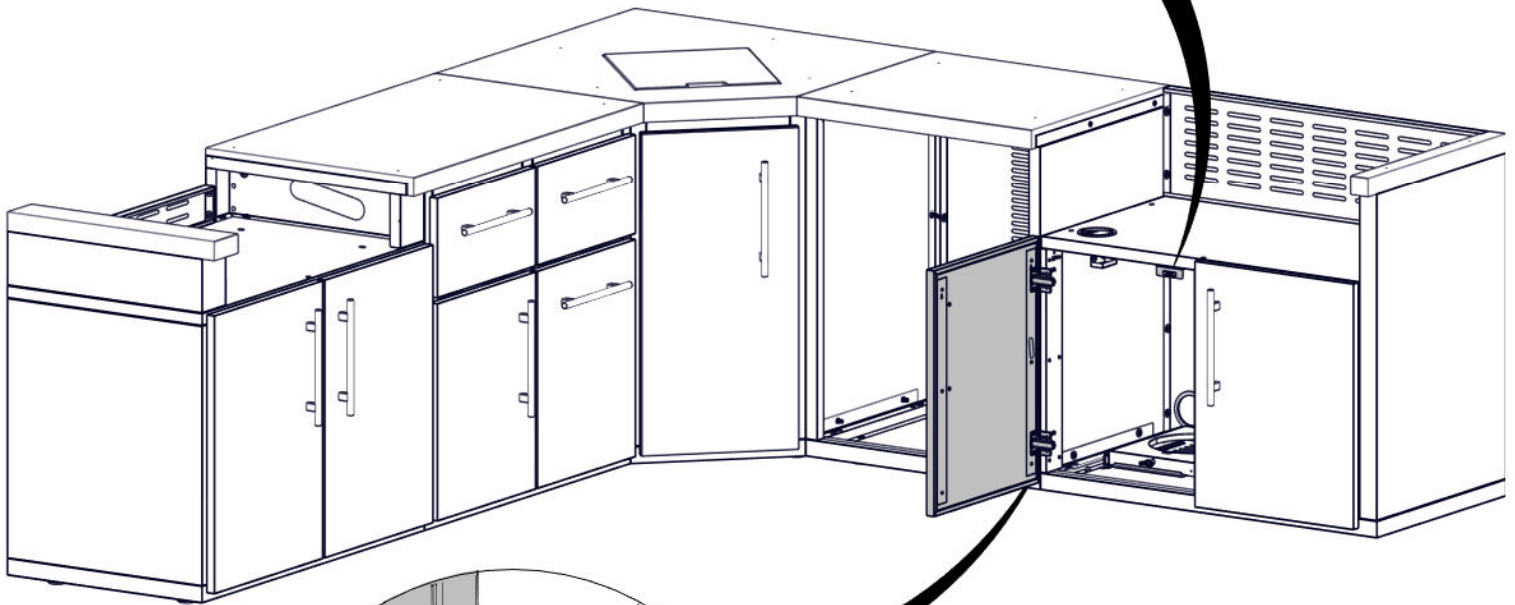
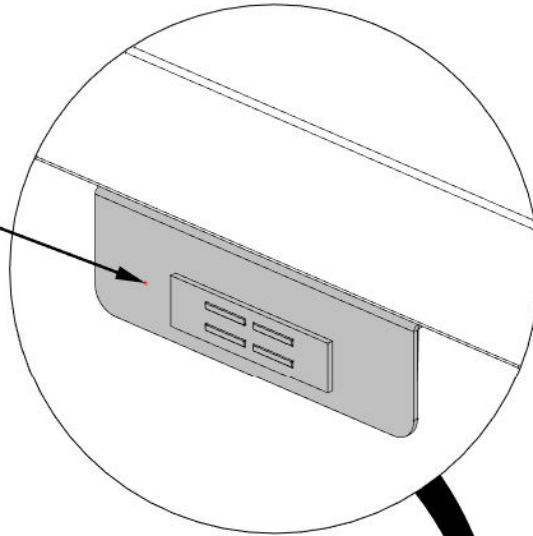
DO NOT OVERTIGHTEN HARDWARE



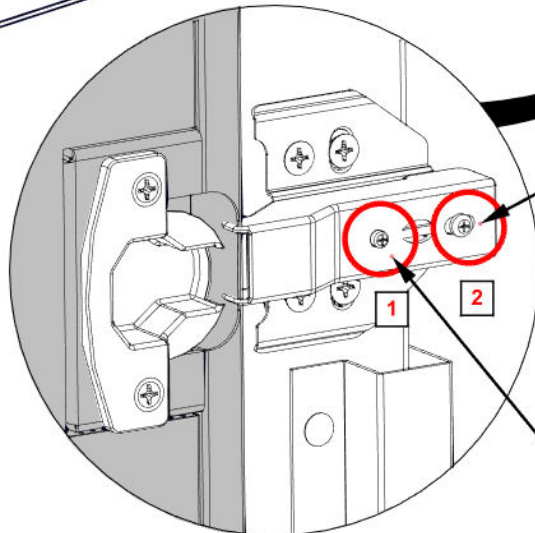
STEP 69 - CABINET DOOR ADJUSTMENT (AS NEEDED)

- ADJUST HINGES (AS NEEDED) SO THAT THE GAP AROUND ALL DOORS IS THE SAME AND THERE IS NO INTERFERENCE BETWEEN DOORS AND CABINETS.
- ADJUST MAGNET CATCH BRACKETS AS NEEDED.

**LOOSEN SCREWS TO ADJUST
MAGNET BRACKET, UNTIL IT
COMES IN CONTACT WITH
DOOR IN THE SHUT POSITION**

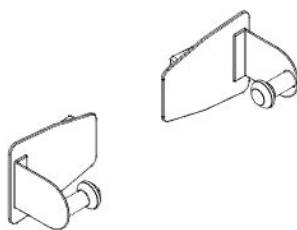


**SCREW #2:
LOOSEN THESE SCREWS TO
SLIDE DOOR TOWARD CABINET
OR AWAY FROM CABINET**



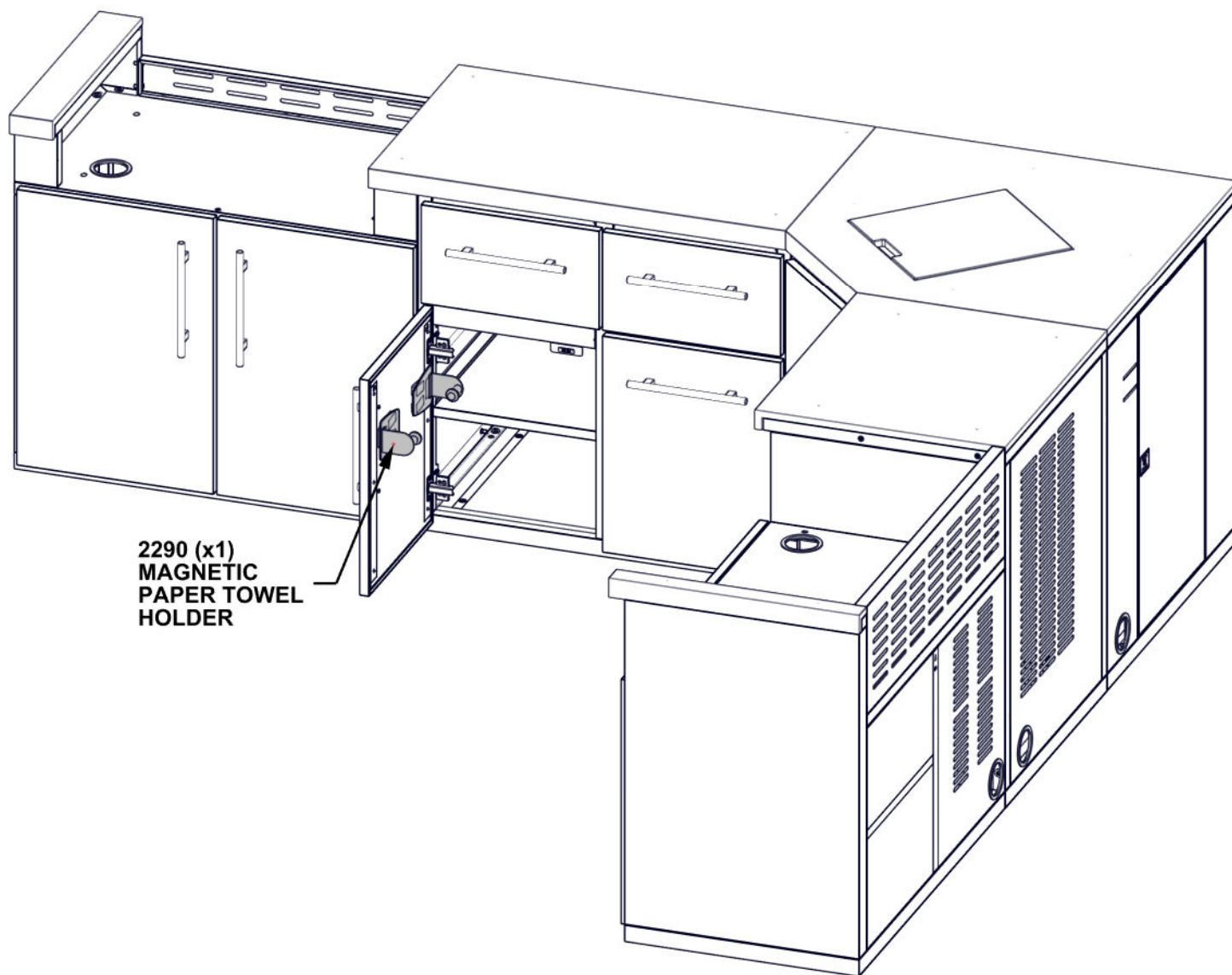
**SCREW #1:
SCREW CLOCKWISE TO BRING
EDGE OF DOOR AWAY FROM
CABINET. SCREW COUNTER
CLOCKWISE TO BRING EDGE OF
DOOR CLOSER TO CABINET**

STEP 70 - KITCHEN ACCESSORY

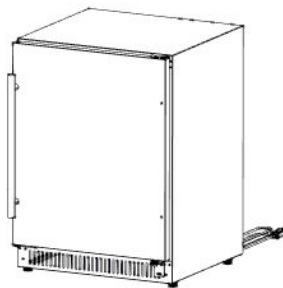


A4M02290 MAGNETIC PAPER TOWEL HOLDER
(x1)

- MAGNETIC PAPER TOWEL HOLDER CAN BE ATTACHED TO ANY METAL SURFACE ON KITCHEN.
- WE RECOMMEND ATTACHING TO THE INSIDE OF CABINET DOOR.
- **MAKE SURE TO KEEP PAPER TOWEL HOLDER AT A SAFE DISTANCE FROM GRILLING SURFACE.**

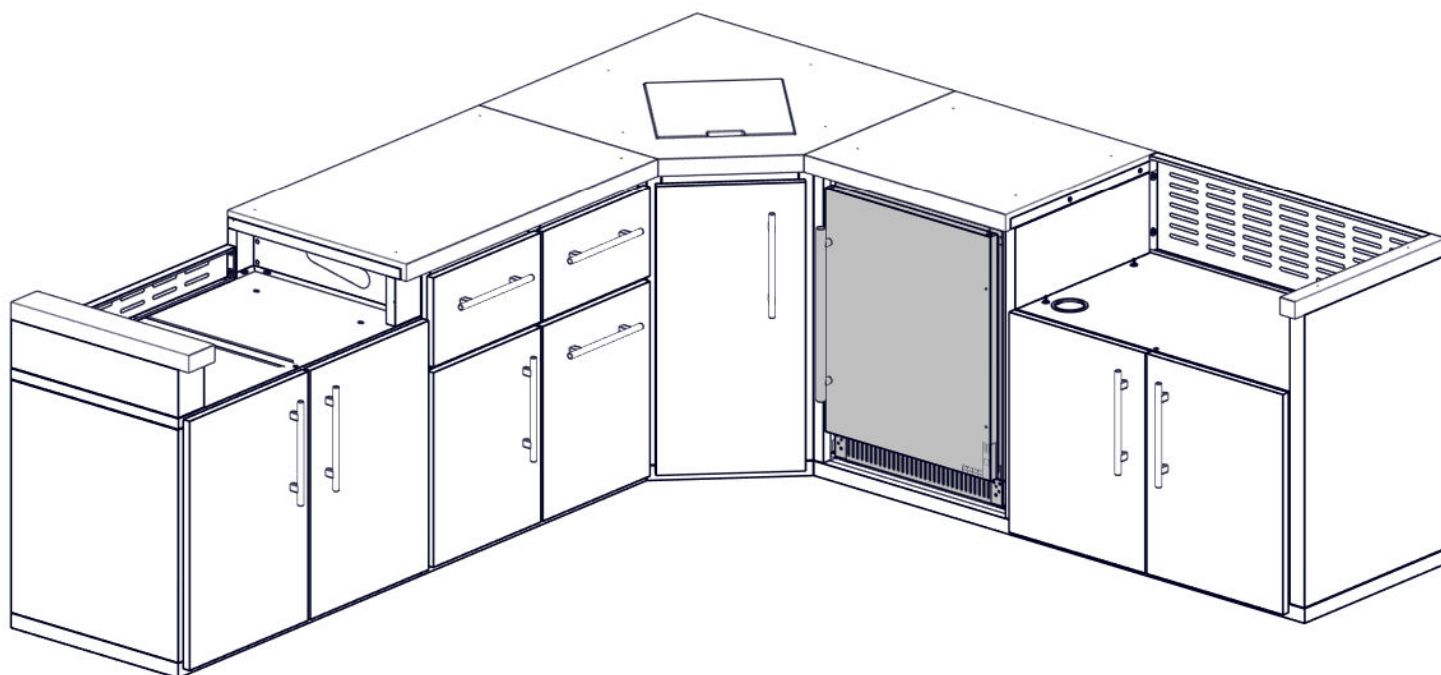


OUTDOOR KITCHEN FRIDGE



9240162 OUTDOOR KITCHEN FRIDGE - RIGHT OPEN
(x1)

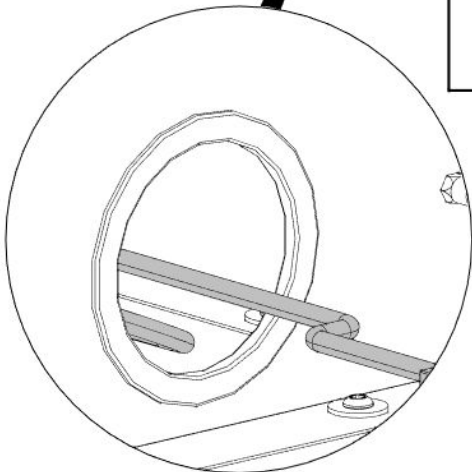
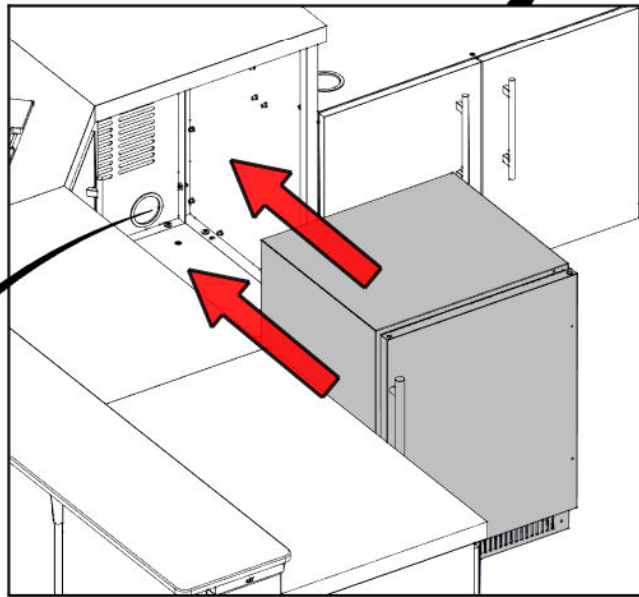
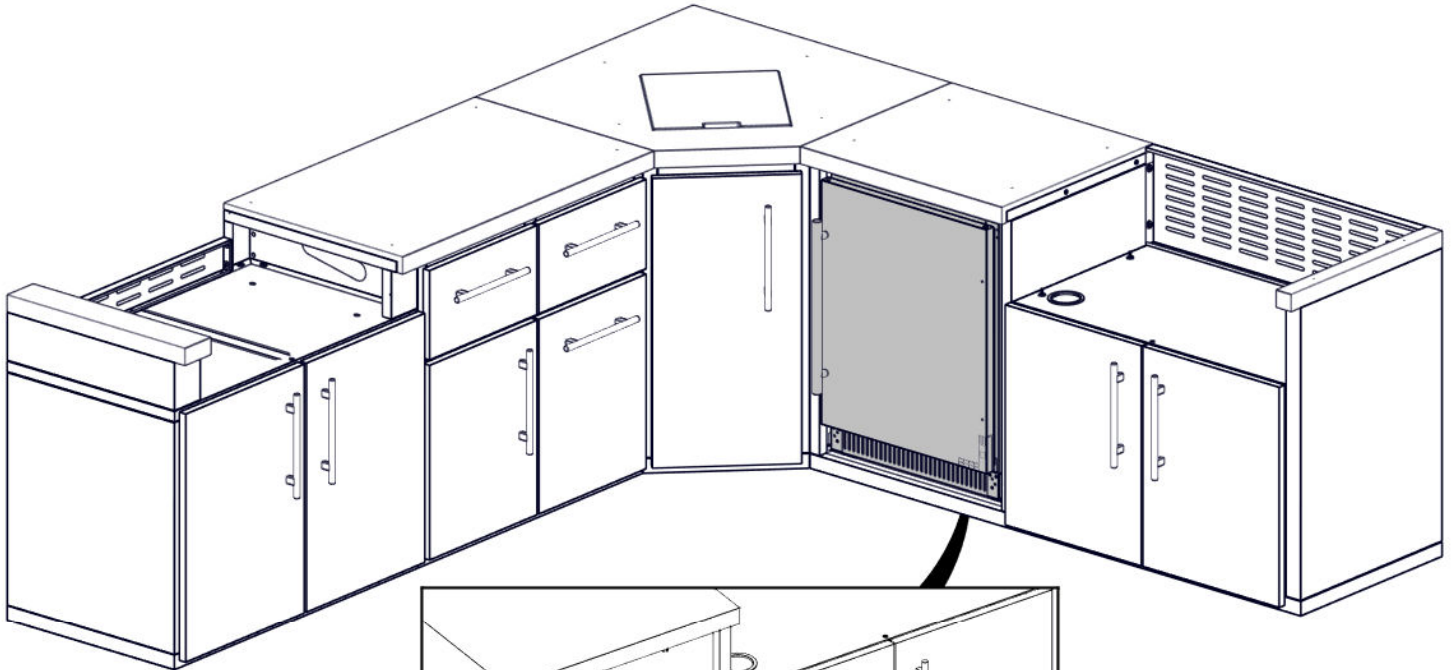
- FOR INSTALLATION OF OUTDOOR KITCHEN FRIDGE, REFER TO PAGES IN THIS INSTRUCTION MANUAL.
- FOR DETAILED INFORMATION OF OUTDOOR KITCHEN FRIDGE, REFER TO ASSEMBLY INSTRUCTIONS THAT COME PACKAGED WITH THE OUTDOOR KITCHEN FRIDGE.
- FOLLOW DIRECTIONS FOR PROPER CARE AND USE.



OUTDOOR KITCHEN FRIDGE

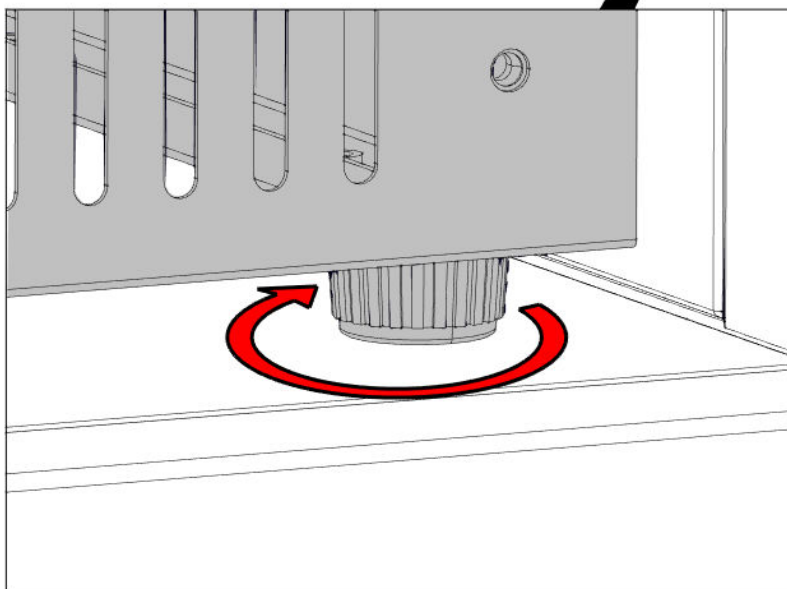
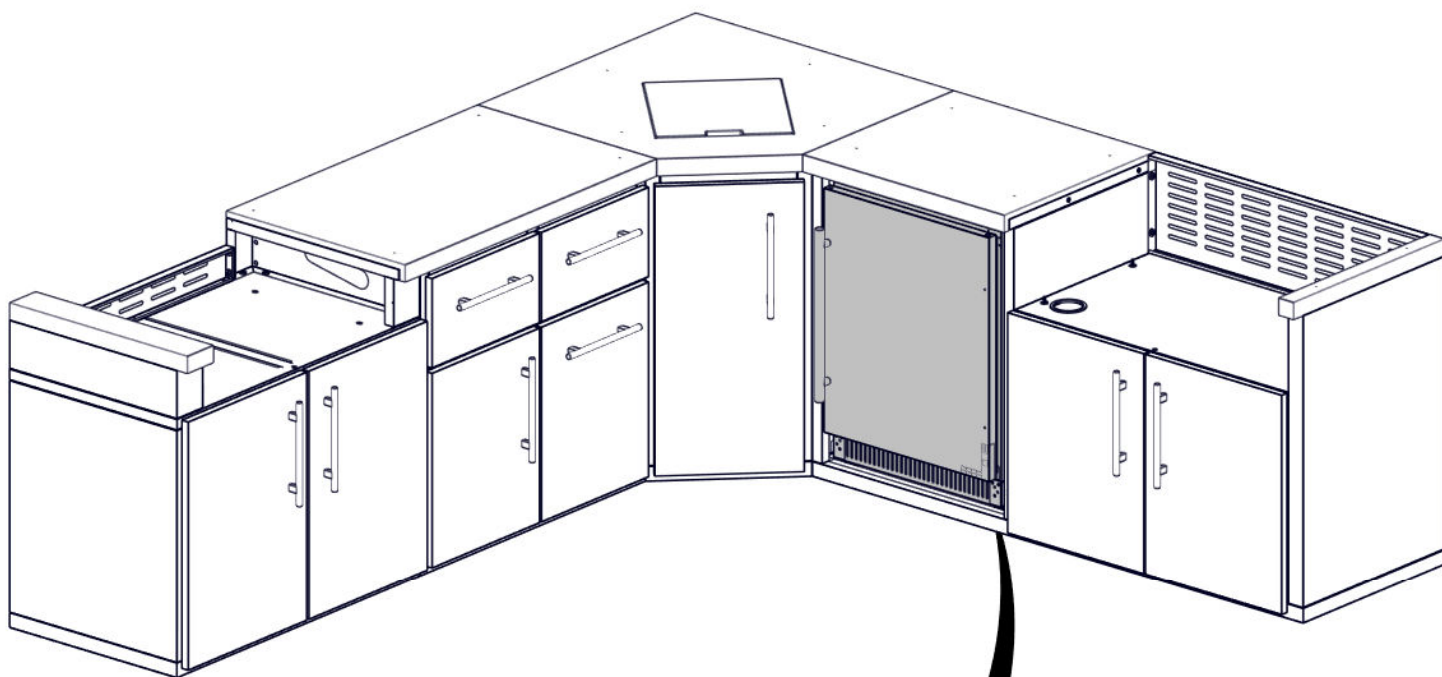
- CAREFULLY SLIDE FRIDGE INTO CABINET OPENING MAKING SURE THAT THE ELECTRICAL CORD IS ROUTED THROUGH THE HOLES IN THE BACK PANELS OF THE CABINET.

- IF FRIDGE IS NOT IN UPRIGHT POSITION, PLEASE LET SIT FOR 24 HRS BEFORE PLUGGING INTO RECEPTACLE.
- FRIDGE CANNOT BE CONNECTED TO ELECTRICAL ENCLOSURE ATTACHED TO OUTDOOR STRUCTURE.

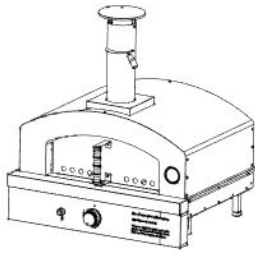


OUTDOOR KITCHEN FRIDGE

- ALIGN FEET ON FRIDGE UNIT SO THAT IT IS LEVEL AND DOES NOT TILT.
- TURN FEET CLOCKWISE TO EXTEND THEM AND COUNTERCLOCKWISE TO SHORTEN. REPEAT THIS FOR ALL FOUR FRIDGE FEET AS NEEDED TO LEVEL.

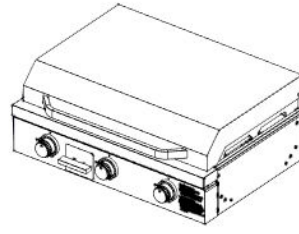


OUTDOOR KITCHEN APPLIANCE INSTALLATION



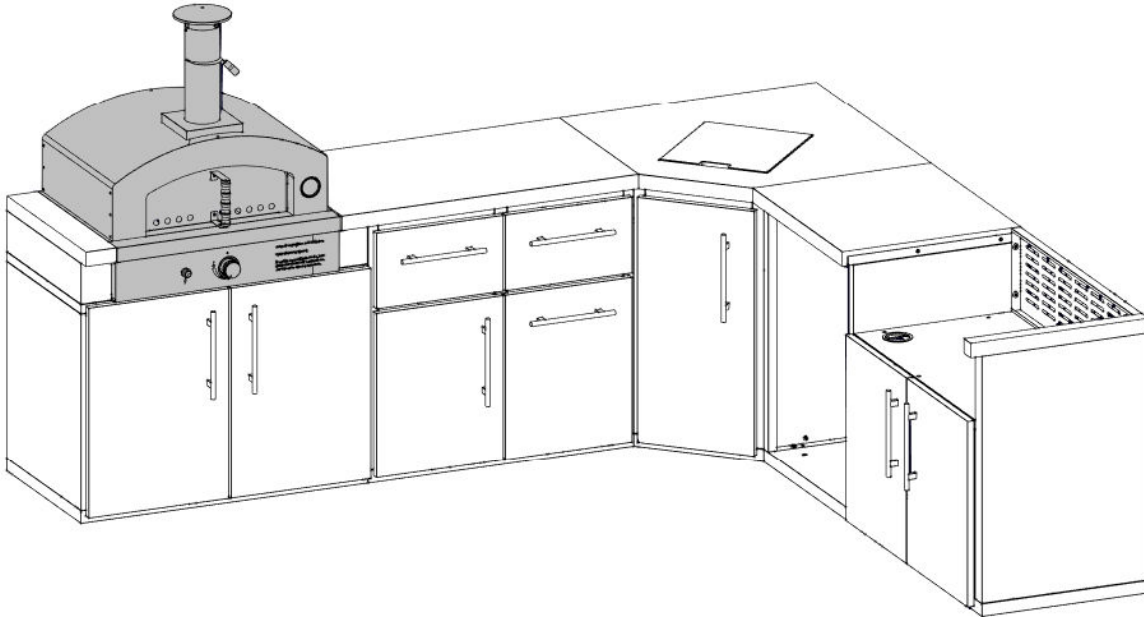
9240018 OUTDOOR KITCHEN PIZZA OVEN
(x1)

OR



9240735 OUTDOOR KITCHEN GRIDDLE KIT
(x1)

- FOR INSTALLATION AND DETAILED INFORMATION OF OUTDOOR KITCHEN PIZZA OVEN, REFER TO ASSEMBLY INSTRUCTIONS THAT COME PACKAGED WITH THE OUTDOOR KITCHEN PIZZA OVEN.
- FOLLOW DIRECTIONS FOR PROPER CARE AND USE.

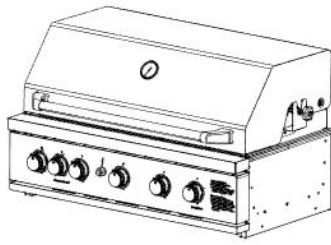


- FOR INSTALLATION AND DETAILED INFORMATION OF OUTDOOR KITCHEN GRIDDLE KIT, REFER TO ASSEMBLY INSTRUCTIONS THAT COME PACKAGED WITH THE OUTDOOR KITCHEN GRIDDLE KIT.
- FOLLOW DIRECTIONS FOR PROPER CARE AND USE.



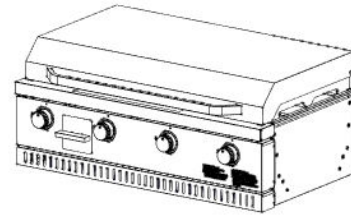
**NATURAL GAS CONVERSION KIT AVAILABLE BY CONTACTING BACKYARD DISCOVERY AT
www.backyarddiscovery.com 1-800-856-4445**

OUTDOOR KITCHEN APPLIANCE INSTALLATION



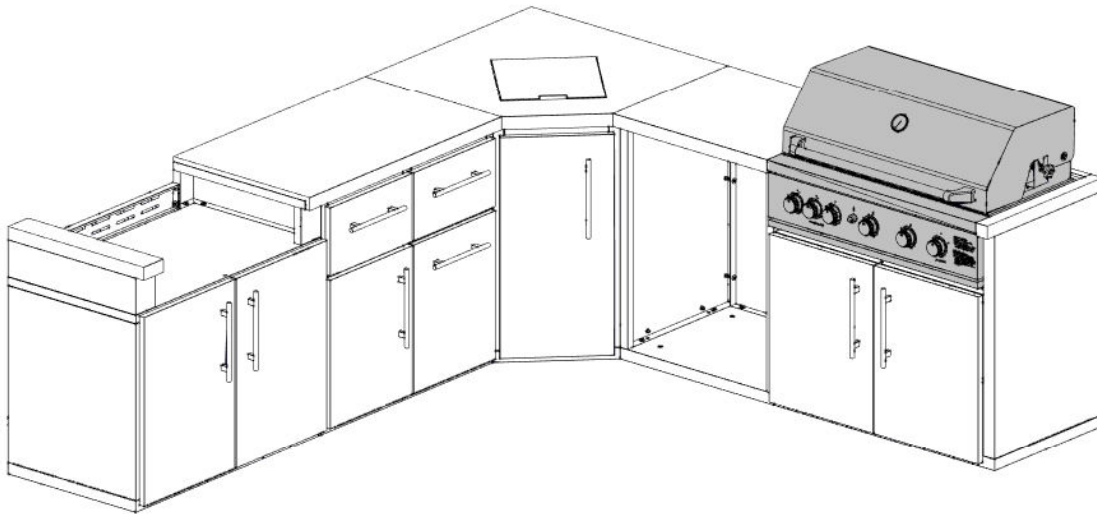
9240025 OUTDOOR KITCHEN GRILL KIT
(x1)

OR

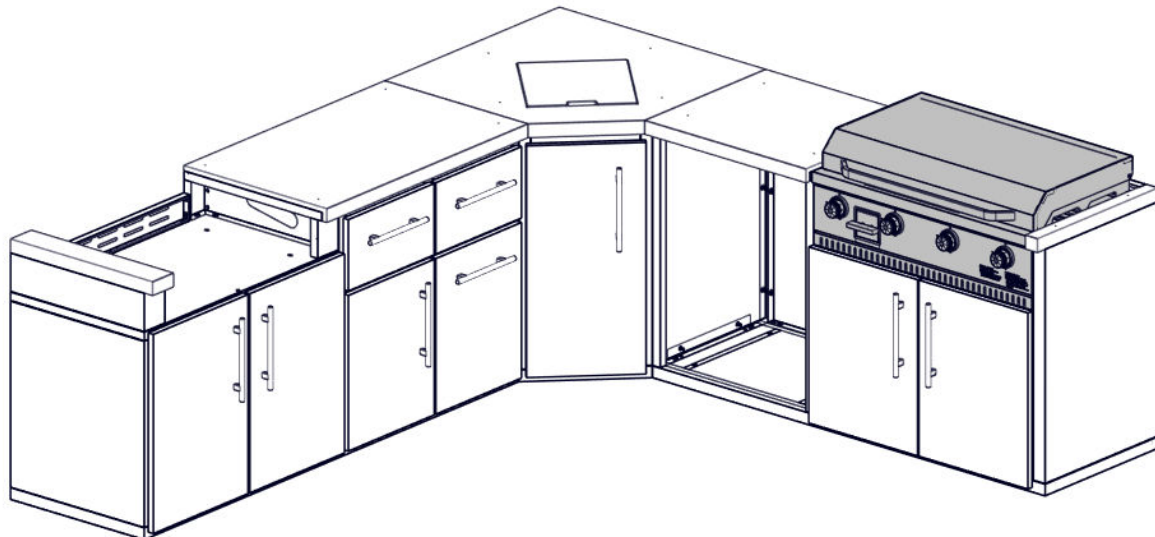


9240742 OUTDOOR KITCHEN GRIDDLE KIT
(x1)

- FOR INSTALLATION AND DETAILED INFORMATION OF OUTDOOR KITCHEN GRILL KIT, REFER TO ASSEMBLY INSTRUCTIONS THAT COME PACKAGED WITH THE OUTDOOR KITCHEN GRILL KIT.
- FOLLOW DIRECTIONS FOR PROPER CARE AND USE.



- FOR INSTALLATION AND DETAILED INFORMATION OF OUTDOOR KITCHEN GRIDDLE KIT, REFER TO ASSEMBLY INSTRUCTIONS THAT COME PACKAGED WITH THE OUTDOOR KITCHEN GRIDDLE KIT.
- FOLLOW DIRECTIONS FOR PROPER CARE AND USE.



**NATURAL GAS CONVERSION KIT AVAILABLE BY CONTACTING BACKYARD DISCOVERY AT
www.backyarddiscovery.com 1-800-856-4445**

OUTDOOR KITCHEN APPLIANCE COVER INSTALLATION

- APPLIANCE COVERS WILL COME PACKAGED WITH EACH RESPECTIVE APPLIANCE.
- CABINET COVER WILL HAVE CUTOUTS FOR EACH APPLIANCE LOCATION.
- INSTALL CABINET COVER OVER FULLY ASSEMBLED KITCHEN PACKAGE.
NOTE: COVER SHOULD GO ON AFTER APPLIANCES ARE INSTALLED.
- INSTALL INDIVIDUAL APPLIANCE COVERS OVER EACH APPLIANCE, MAKING SURE FLAPS ARE ON THE OUTSIDE OF THE CABINET COVER, AND VELCRO STRIPS ARE FIRMLY CONNECTED.

