

RELS

Edge Lit Recessed LED Downlight - Selectable

Product Description

The REL Selectable Edge Lit Downlight offers an attractive aesthetic with a low profile in round and square forms. The CCT selectable, edge-lit technology makes it a practical solution with high performance. Adjustable spring-loaded retention tabs allow a secure fit for easy installation in both new construction and remodel applications. The RELS is an ideal solution for multi-family dwellings such as apartment buildings, condos, townhomes, and commercial applications.

Construction

- Cast aluminum housing routes heat away from electrical components
- Edge-Lit technology allows for extremely thin fixture depth
- Adjustable, spring loaded retention tabs ensure secure fixture retention
- Off-board driver minimizes installation height and maximizes fixture life through improved heat management

Optical System

- Precision engineered optical stack creates uniform light distribution that maximizes lumen output
- Utilizes high performing LEDs with 90+ CRI and an R9 > 50
- Offered with 5CCT selection of 2700K, 3000K, 3500K, 4000K, and 5000K

Electrical

- Input voltage of 120VAC
- CCT selector switch located on driver
- Dimmable to 5% with compatible leading edge (TRIAC) or trailing edge (ELV) dimmers
- Operating temperature rating of -4°F to 104°F (-20°C to 40°C)

Finish

- White Powder Coat Finish is standard for all models.
- REL3 is available in both White and Black painted finishes.
- For larger-diameter fixtures, Color Trims Accessories are available in Black, Nickel, or Oil-Rubbed Bronze.

Mounting and Installation

- Spring loaded retention tabs allow for easy installation into ceilings up to 3/4" thick with no need for a recessed housing
- Off-board driver/junction box includes three 1/2" KOs and three-port poke-in connectors
- Paper cutting template included
- Accessory metal rough-in template and frames available
- Accessory extension power cables (2' & 10') available
- For installations where power surge may be possible, NICOR recommends installing additional surge protection at the electrical distribution panel

Listings

- cETLus 1598 Classified for wet locations
- Energystar listed
- CA Title 24 compliant (JA8)
- Certified for direct contact with insulation (IC-Rated)
- Meets Air Tight requirements per ASTM E283
- Compliant with NFPA® 70, NEC® Section 410.16 (A)(3) and 410.16 (C)(5) for closet use
- RoHS Compliant: Free from harmful and hazardous materials
- Meets FCC Part 15, Subpart B, Class B standards for conducted and radiated emissions
- LED lumen maintenance: L70(9k)>54,000 hrs
- LM-79, LM-80 testing performed in accordance with IESNA standards

Warranty

- 5-year limited system warranty standard
- Warranty does not cover product failure due to an overvoltage event (power surge)

Project

Catalog

Type

Date



RELS

3", 4", 6", and 8" Edgelit LED Downlight

550, 600, 900, 1200 lumen



Ordering

Ordering Information

Example : REL61120SRDWH

Series	Version	Voltage	CCT's	Trim Shape	Trim Color
REL3 (3 inch)	1	120	S (Selectable)	RD(Round)	WH (White)
REL4 (4 inch)				SQ(Square) ¹	BK (Black) ²
REL6 (6 inch)					
REL8 (8 inch)					

Specifications and dimensions subject to change without notice. Please refer to the website for the most up-to-date information.

- Square only available for 4" and 6" models.
- Black painted finish available on REL3 (in addition to White). For larger diameter please refer to the accessories below.

Accessories

accessories sold separately

4" Black Trim Ring	REL4-1-TR-RD-BK
4" Brushed Nickel Trim Ring	REL4-1-TR-RD-NK
4" Oil-Rubbed Bronze Trim Ring	REL4-1-TR-RD-OB
6" Black Trim Ring	REL6-1-TR-RD-BK
6" Brushed Nickel Trim Ring	REL6-1-TR-RD-NK
6" Oil-Rubbed Bronze Trim Ring	REL6-1-TR-RD-OB
8" Black Trim Ring	REL8-1-TR-RD-BK
8" Brushed Nickel Trim Ring	REL8-1-TR-RD-NK
8" Oil-Rubbed Bronze Trim Ring	REL8-1-TR-RD-OB

Accessories

accessories sold separately

4" White Goof Ring	REL4-1-GR-RD-WH
6" White Goof Ring	REL6-1-GR-RD-WH
2' Extension Cable for RELS	RELS-EXTCABLE-02
10' Extension Cable for RELS	RELS-EXTCABLE-10
Frame for 3", 4", 6" remote driver fixtures	MULTIFRAME-346-1
3" Rough In Flat Template	ROUGHIN-TEMPLATE-3
4" Rough In Flat Template	ROUGHIN-TEMPLATE-4
6" Rough In Flat Template	ROUGHIN-TEMPLATE-6
3", 4", 6" Rough In Flat Template	ROUGHIN-TEMPLATE-346
8" Rough In Flat Template	ROUGHINTEMPLATE-REL8

Performance Data and Dimming

Performance Data (Round)					Performance Data (Square)				
Model Number	CCT	Lumens	Watts	Lumens/Watt	Model Number	CCT	Lumens	Watts	Lumens/Watt
REL31120SRD** (* = WH or BK)	2700	553	7.79	71.0	REL41120SRDWH	2700	612	10.28	59.5
	3000	587	7.65	76.8		3000	658	10.66	61.8
	3500	608	7.52	80.9		3500	690	10.73	64.3
	4000	616	7.63	80.7		4000	707	10.79	65.5
	5000	607	7.78	78.1		5000	697	10.84	64.3
REL41120SRDWH	2700	656	10.06	65.2	REL61120SRDWH	2700	816	11.98	68.1
	3000	710	10.65	66.6		3000	903	12.59	71.7
	3500	726	10.70	67.9		3500	945	12.66	74.6
	4000	742	10.74	69.1		4000	967	12.67	76.3
	5000	768	10.64	72.1		5000	956	12.82	74.6
REL61120SRDWH	2700	901	11.75	76.7	REL81120SRDWH	2700	1264	17.91	70.6
	3000	943	12.27	76.8		3000	1327	17.97	73.8
	3500	984	12.44	79.1		3500	1435	17.51	81.9
	4000	1013	12.45	81.4		4000	1446	17.90	80.8
	5000	1019	12.51	81.5		5000	1369	18.56	73.8

Recommended Dimmers*

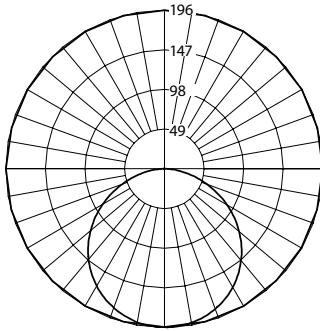
Lutron Skylark SELV-300P
 Lutron Skylark SCL-153P
 Lutron DIVA DVCL-153P
 Lutron DIVA DVELV-300P
 Lutron MAELV-600
 Lutron PD-10NXD

*Not a complete list. Check compatibility before installation.

Photometric Data

RELS3-RD

Input Voltage (VAC)	120
System Level Power (W)	7.7
Delivered Lumens (Lm)	553
System Efficacy (Lm/W)	71.8
Correlated Color Temp (K)	2610
Color Rendering Index (CRI)	92 R9=54
Beam Angle	111
Spacing Criteria	1.27



Intensity Summary (Candle Power)

Angle	Mean CP
0	196
5	195
15	189
25	177
35	159
45	135
55	106
65	73
75	40
85	12
90	0

Cone of Light Tabulation

Mounted height (Feet)	Footcandles Beam Center	Diameter (Feet)
4	11.7	11.7
6	5.2	17.5
8	2.9	23.4
10	1.9	29.2

Zonal Lumen Summary

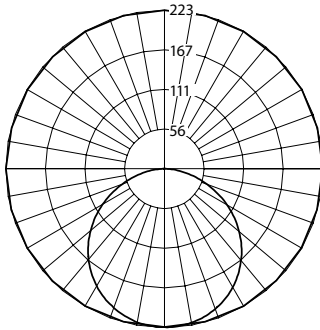
Zone	Lumens	% of Luminaire
0-30	151	27.3%
0-40	127	44.7%
0-60	435	78.7%
0-90	553	100%
90-180	0	0%
0-180	553	100%

CCT Data Multiplier

3000K	1.061
3500K	1.099
4000K	1.114
5000K	1.098

RELS4-RD

Input Voltage (VAC)	120
System Level Power (W)	10.1
Delivered Lumens (Lm)	656
System Efficacy (Lm/W)	65.0
Correlated Color Temp (K)	2741
Color Rendering Index (CRI)	92 R9=54
Beam Angle	114
Spacing Criteria	1.30



Intensity Summary (Candle Power)

Angle	Mean CP
0	223
5	222
15	216
25	202
35	181
45	153
55	120
65	83
75	46
85	13
90	0

Cone of Light Tabulation

Mounted height (Feet)	Footcandles Beam Center	Diameter (Feet)
4	13.9	12.4
6	6.2	18.6
8	3.5	24.8
10	2.2	31.0

Zonal Lumen Summary

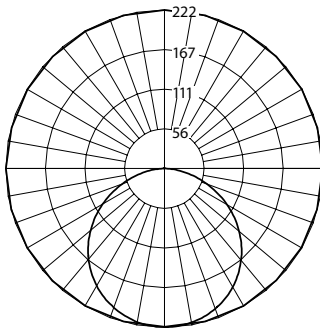
Zone	Lumens	% of Luminaire
0-30	174	26.6%
0-40	287	43.7%
0-60	511	77.9%
0-90	656	100%
90-180	0	0%
0-180	656	100%

CCT Data Multiplier

3000K	1.082
3500K	1.107
4000K	1.131
5000K	1.071

RELS4-SQ

Input Voltage (VAC)	120
System Level Power (W)	10.3
Delivered Lumens (Lm)	612
System Efficacy (Lm/W)	59.4
Correlated Color Temp (K)	2784
Color Rendering Index (CRI)	93 R9=57
Beam Angle	109.0
Spacing Criteria	1.24



Intensity Summary (Candle Power)

Angle	Mean CP
0	222
5	221
15	213
25	196
35	172
45	143
55	110
65	75
75	40
85	11
90	0

Cone of Light Tabulation

Mounted height (Feet)	Footcandles Beam Center	Diameter (Feet)
4	19.3	12.3
6	8.6	18.4
8	4.8	24.5
10	3.1	30.7

Zonal Lumen Summary

Zone	Lumens	% of Luminaire
0-30	171	27.9%
0-40	277	45.4%
0-60	484	79.2%
0-90	612	100%
90-180	0	0%
0-180	612	100%

CCT Data Multiplier

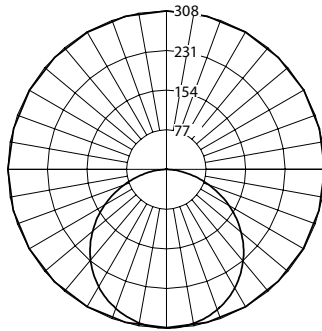
3000K	1.075
3500K	1.127
4000K	1.155
5000K	1.139

Fixture tested per LM-79-08. Photometric data is of the performance of a representative fixture. Results may vary in the field.

Photometric Data

RELS6-RD

Input Voltage (VAC)	120
System Level Power (W)	11.8
Delivered Lumens (Lm)	901
System Efficacy (Lm/W)	76.4
Correlated Color Temp (K)	2753
Color Rendering Index (CRI)	93 R9=56
Beam Angle	113.8
Spacing Criteria	1.28



Intensity Summary (Candle Power)

Angle	Mean CP
0	308
5	307
15	296
25	276
35	246
45	207
55	161
65	110
75	59
85	15
90	0

Cone of Light Tabulation

Mounted height (Feet)	Footcandles Beam Center	Diameter (Feet)
4	19.3	12.3
6	8.5	18.4
8	4.8	24.5
10	3.1	30.7

Zonal Lumen Summary

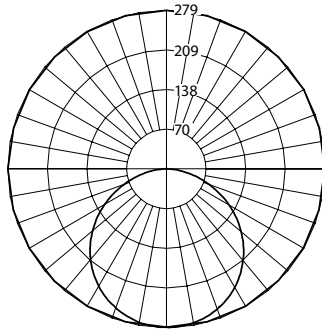
Zone	Lumens	% of Luminaire
0-30	241	26.7%
0-40	396	44%
0-60	704	78.1%
0-90	901	100%
90-180	0	0%
0-180	901	100%

CCT Data Multiplier

3000K	1.047
3500K	1.092
4000K	1.124
5000K	1.131

RELS6-SQ

Input Voltage (VAC)	120
System Level Power (W)	12.0
Delivered Lumens (Lm)	816
System Efficacy (Lm/W)	68.0
Correlated Color Temp (K)	2785
Color Rendering Index (CRI)	93 R9=59
Beam Angle	114.2
Spacing Criteria	1.30



Intensity Summary (Candle Power)

Angle	Mean CP
0	278
5	278
15	269
25	252
35	226
45	192
55	151
65	105
75	57
85	16
90	0

Cone of Light Tabulation

Mounted height (Feet)	Footcandles Beam Center	Diameter (Feet)
4	17.4	12.4
6	7.7	18.5
8	4.3	24.7
10	2.8	30.9

Zonal Lumen Summary

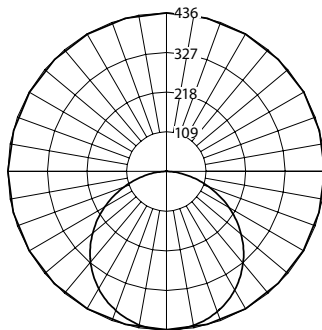
Zone	Lumens	% of Luminaire
0-30	218	26.7%
0-40	359	44%
0-60	638	78.2%
0-90	816	100%
90-180	0	0%
0-180	816	100%

CCT Data Multiplier

3000K	1.107
3500K	1.158
4000K	1.185
5000K	1.172

RELS8-RD

Input Voltage (VAC)	120
System Level Power (W)	17.9
Delivered Lumens (Lm)	1264
System Efficacy (Lm/W)	70.6
Correlated Color Temp (K)	2780
Color Rendering Index (CRI)	93 R9=54
Beam Angle	113.4
Spacing Criteria	1.28



Intensity Summary (Candle Power)

Angle	Mean CP
0	435
5	432
15	418
25	391
35	349
45	296
55	232
65	161
75	88
85	25
90	0

Cone of Light Tabulation

Mounted height (Feet)	Footcandles Beam Center	Diameter (Feet)
4	27.2	12.2
6	12.1	18.3
8	6.8	24.4
10	4.3	30.4

Zonal Lumen Summary

Zone	Lumens	% of Luminaire
0-30	339	26.8%
0-40	557	44.1%
0-60	990	78.3%
0-90	1264	100%
90-180	0	0%
0-180	1264	100%

CCT Data Multiplier

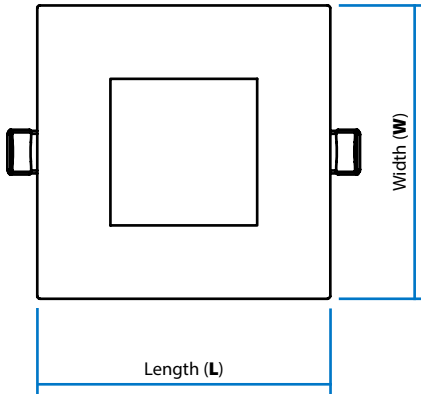
3000K	1.050
3500K	1.063
4000K	1.144
5000K	1.083

Fixture tested per LM-79-08. Photometric data is of the performance of a representative fixture. Results may vary in the field.

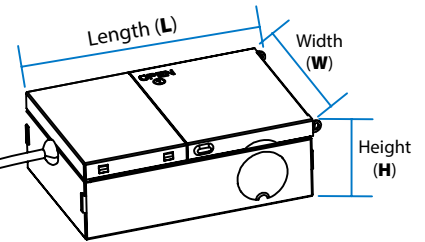
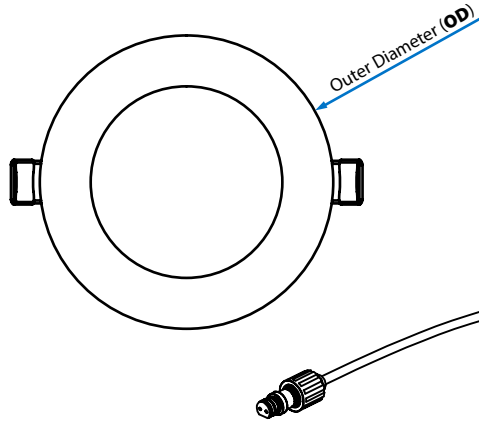
Dimensions

Dimensions			
Fixture	Outer Diameter (OD)	Fixture Height (H)	Driver (LxWxH)
RELS3 Round	3.8 in Ø (95mm)	1.04 in (26.4mm)	5.1 in x 2.4 in x 1.4 in (130mm x 61mm x 36mm)
RELS4 Round	4.7in Ø (120mm)	0.87 in (22mm)	
RELS6 Round	6.7in Ø (170mm)	0.83 in (21mm)	
RELS8 Round	8.9in Ø (225mm)	0.83 in (21mm)	4.1 in x 2.7 in x 1.4 in (104mm x 69mm x 36mm)
RELS4 Square	4.7in x 4.7in (120mm)	0.91 in (23mm)	
RELS6 Square	6.7in x 6.7in (170mm)	0.91 in (23mm)	

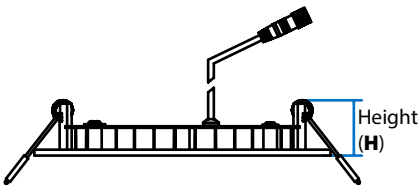
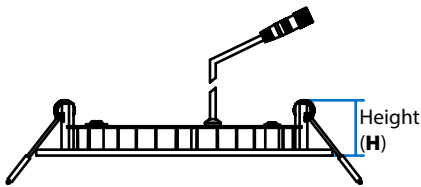
RELS-SQ



RELS-RD



RELS-DRIVER



This device complies with part 15 of the FCC Rules. Operation is subject to the following two conditions: (1) This device may not cause harmful interference, and (2) this device must accept any interference received, including interference that may cause undesired operation.

NOTE: This equipment has been tested and found to comply with the limits for a Class B digital device, pursuant to part 15 of the FCC Rules. These limits are designed to provide reasonable protection against harmful interference in a residential installation. This equipment generates, uses and can radiate radio frequency energy and, if not installed and used in accordance with the instructions, may cause harmful interference to radio communications. However, there is no guarantee that interference will not occur in a particular installation. If this equipment does cause harmful interference to radio or television reception, which can be determined by turning the equipment off and on, the user is encouraged to try to correct the interference by one or more of the following measures:

- Reorient or relocate the receiving antenna.
- Increase the separation between the equipment and receiver.
- Connect the equipment into an outlet on a circuit different from that to which the receiver is connected.
- Consult the dealer or an experienced radio/TV technician for help.