

4

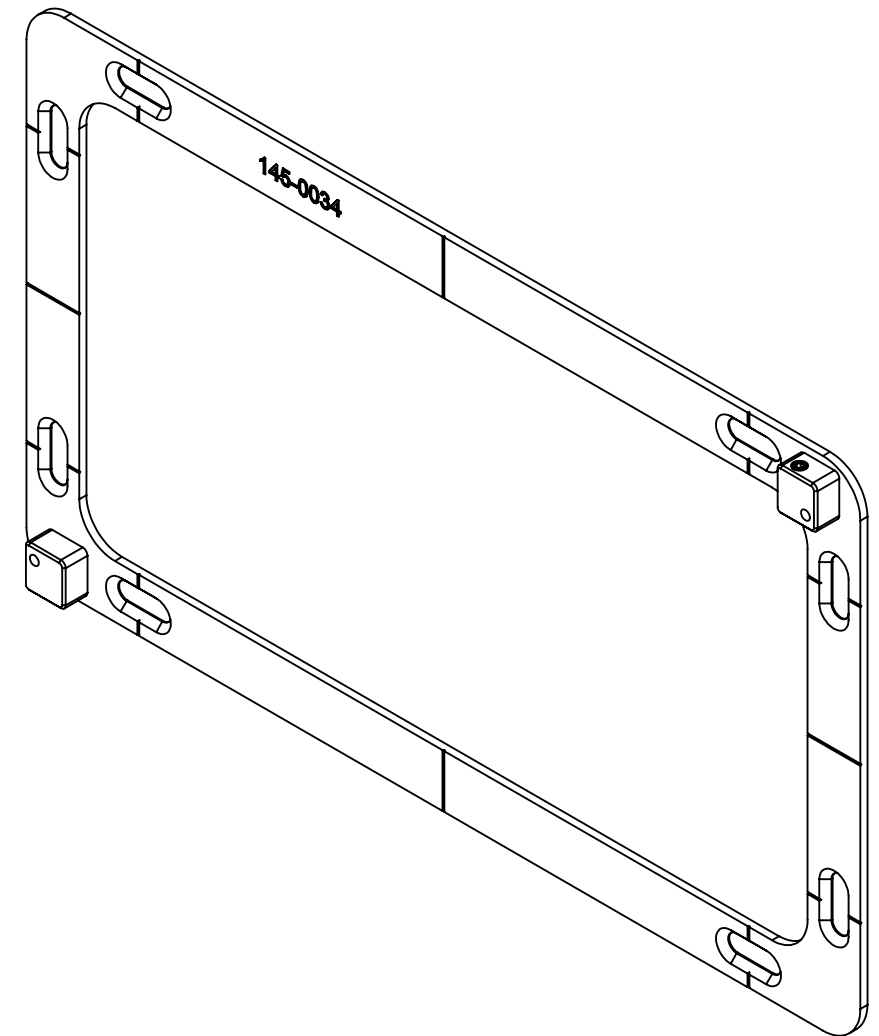
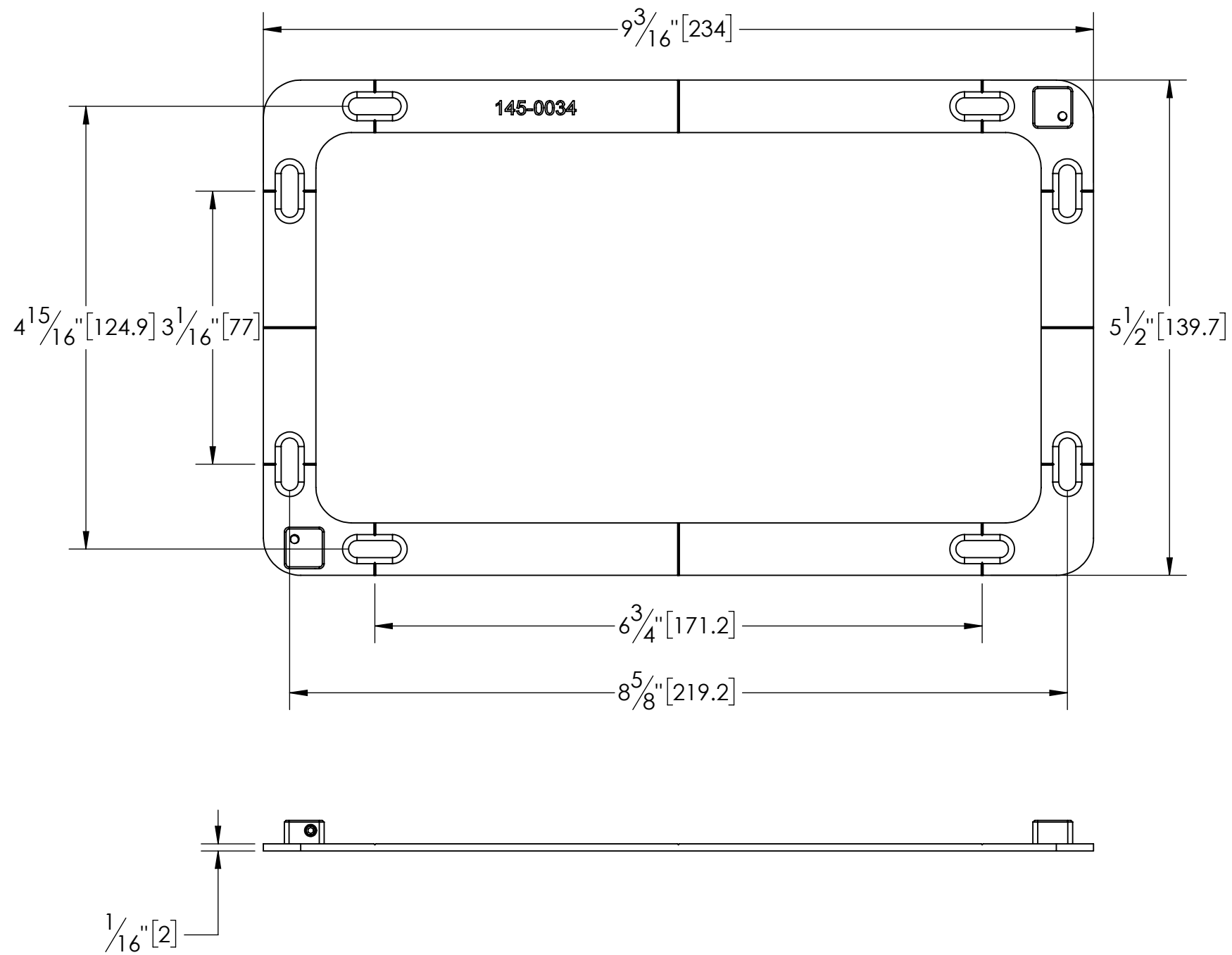
3

2

1

B

B



A


A

4

3

2

1

METRIC/INCHES	 iPort a DANA INNOVATIONS COMPANY		
DESIGNED IN SAN CLEMENTE, CALIFORNIA BY iPORT	NAME BRACKET SM SYSTEM MINI 6		
<small>NOTICE OF PROPRIETARY INFORMATION: THE INFORMATION CONTAINED HEREIN IS THE PROPRIETARY PROPERTY OF DANA INNOVATIONS. THE POSSESSOR AGREES TO THE FOLLOWING: 1. TO MAINTAIN THIS DOCUMENT IN CONFIDENCE 2. NOT TO REPRODUCE OR COPY IT 3. NOT TO REVEAL OR PUBLISH IT IN WHOLE OR IN PART 4. ALL RIGHTS RESERVED</small>	SIZE	SKU	REV
	B	70805 70806	A
SCALE: 1:1.5		WEIGHT:	SHEET 1 OF 1