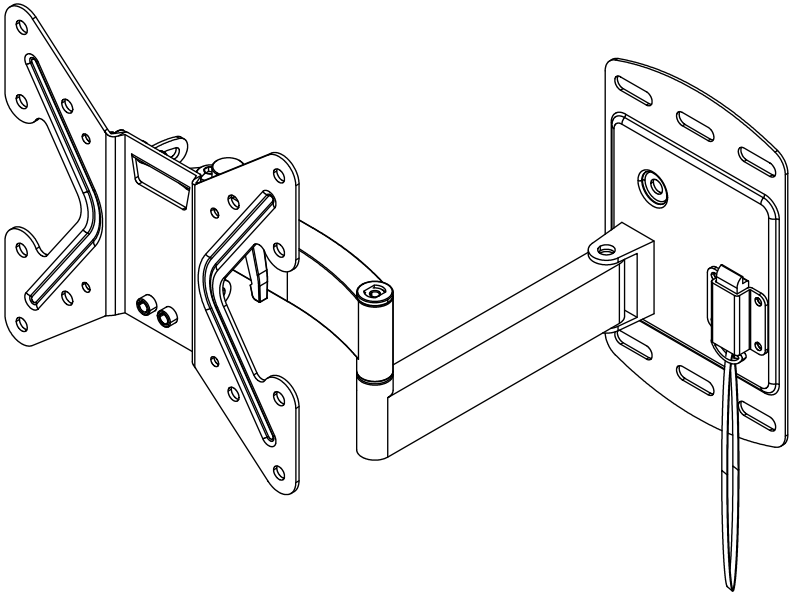


HELIOS™

FML22

ASSEMBLY INSTRUCTION

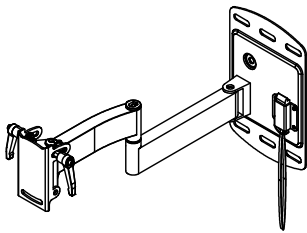


- Please read these instructions carefully before using.
- This model will hold most 19-42 Flat Panel TVs.
- Load capacity: 19kg (40Lbs).

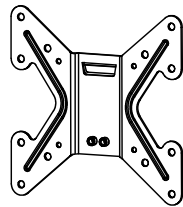
FML22 Information

- Please read these instructions carefully before starting.
- This product will hold most 19-42 Flat Panel TVs.
- Load capacity: 19kg (40Lbs).

Supplied Parts and Hardware: *(Some parts not shown at same scale)*












A-wall plate
1pc








B-TV plate
1pc

● Hardware list:

			
C-Anchor 3pcs	D-log bolt 3pcs	E-M8 washer 3pcs	F--M6X12 bolt 2pcs

				
G--M4X12 bolt 4pcs	H--M5X12 bolt 4pcs	I--M6X12 bolt 4pcs	J--M8X12 bolt 4pcs	K--M4X30 bolt 4pcs

				
L--M6X25 bolt 4pcs	M--M4/M5 washer 4pcs	N--M6/M8 washer 8pcs	O--socket 1pc	P-4mm Alley key 1pc

Safety Warning

Please read this entire manual carefully before assembling this unit to avoid bodily injury and/or any property loss. If you do not understand these directions, or have any doubts about the safety of the installation, please call Tech Support at 1-866-839-9187.

Please check carefully to ensure there are no missing or defective parts. Our customer representatives can quickly assist you with installation questions and missing or defective parts. Replacement parts for products purchased through authorized dealers will be shipped to you directly.

Do not attempt to use any parts not provided by the manufacturer. Using other screws could cause injury or property loss.

Never use defective parts, as improper installation may cause damage or serious injury.

Do not use this product for any purpose not explicitly specified by Metra Home Theater Group™. Metra Home Theater Group™ cannot be liable for damage or injury caused by incorrect assembly, or incorrect use.

- Read these instructions.
- Keep these instructions.
- Heed all warnings.
- Follow all instructions.
- **WARNING:** Use only the supplied screws intended for the current application to avoid personal injury or property damage.

Assembly Instructions

Step 1: Hold wall plate (A) against the wall at desired location and, using a pencil, mark 2 hole locations. Then drill 2/5" or 10mm holes at pencil marked locations at a depth of 2.5" or 64mm.

If you mount this TV mount into wall studs, pre-drill the 2 pencil marked holes using a 5.5mm drill bit. Fix wall plate (A) to the wall with screws (D) and washers (E). If you are not mounting into wall studs, then you will need to use wall anchors (C). Insert wall anchors (C) into holes (you may need to use a hammer to lightly tap wall anchors into place). Then fix wall plate (A) to the wall with screws (D) and washers (E).

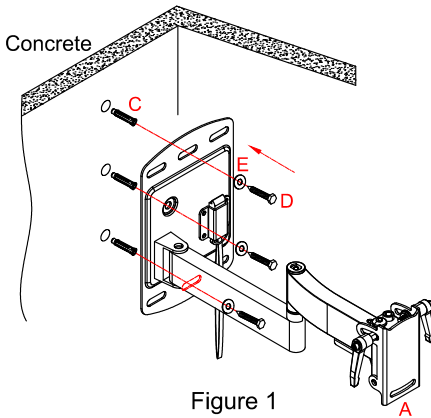


Figure 1

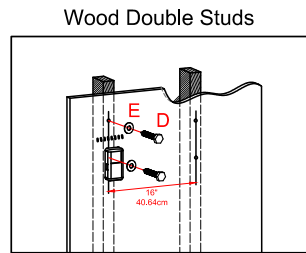


Figure 2

Step 2: Fix TV mounts to the back panel of the TV

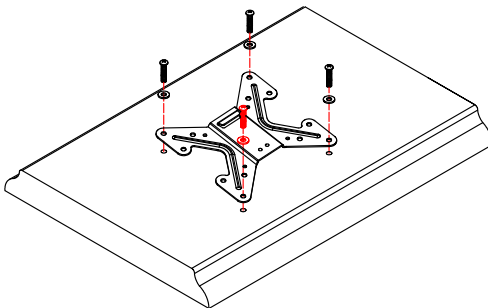


Figure 3

Step 3: Hang pre-assembled TV unit on the wall plate and fix them using screws (F)

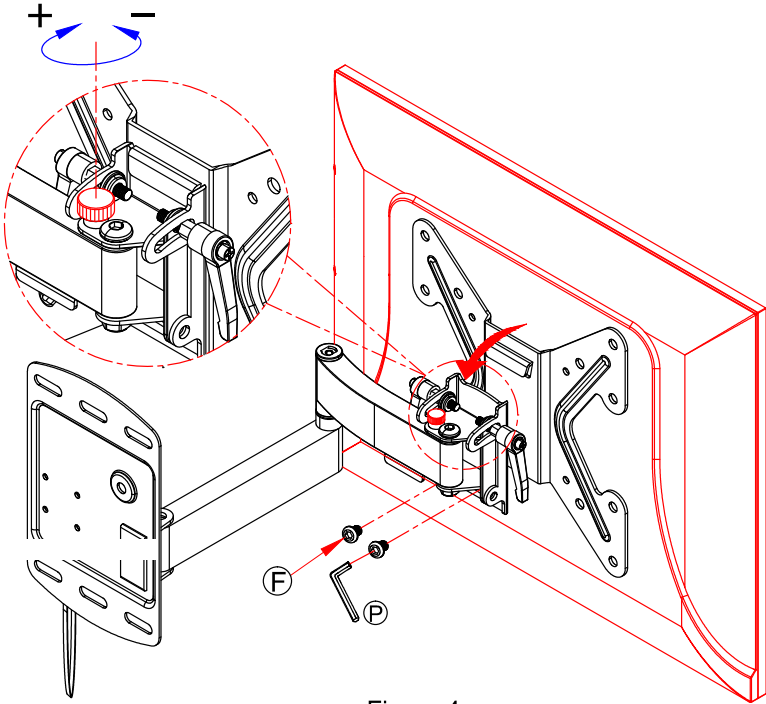


Figure 4

Step 4: Fix TV completely to avoid any moving if you are in motion.

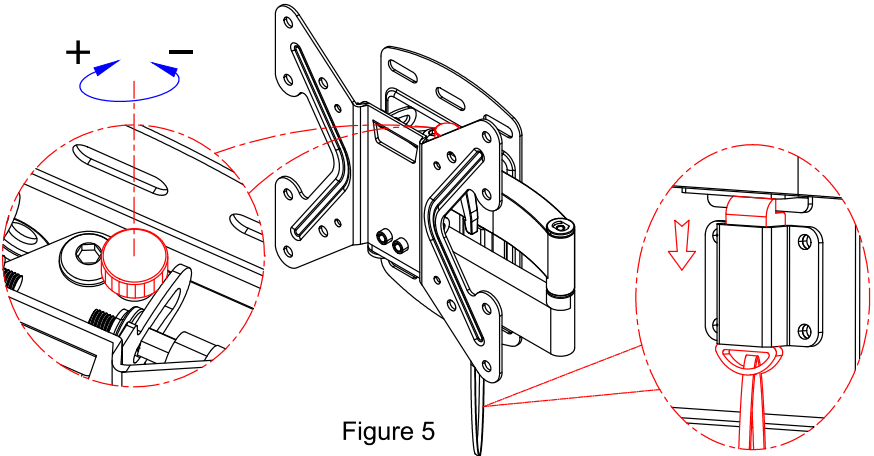
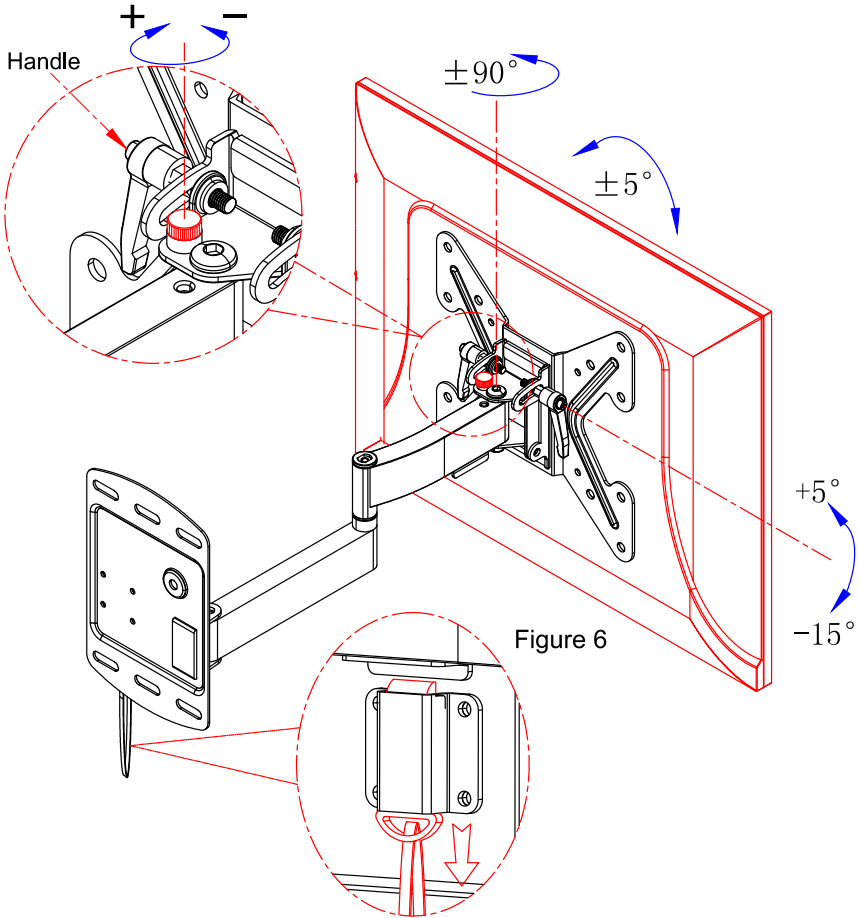


Figure 5

Step 5: You may need to rotate the handle to adjust the TV to your desired viewing angle.



Note: Pay extra care and attention when you fasten TV mounts to the back panel of the TV in Step 3. Make sure the appropriate mount hardware is being used properly.

1. Select correct mounting hardware according to the screw hole size of your TV. Discard any remaining screws or spacers.
2. Carefully lay your TV on its face on a non-abrasive surface. Lay padding underneath the TV so as not to damage the screen.
3. Place left TV mount and right TV mount in the appropriate position making sure they are centered on the back of the TV and are level with one another.

Notes: _____

HELIOS™

©2016 Metra Electronics Corporation, 460 Walker Street, Holly Hill, FL 32117-2699
Specifications are subject to change without notice.
All trademarks are the property of their respective owners.



1-866-839-9187 • www.metrahometheater.com