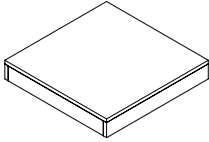
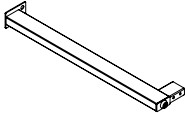
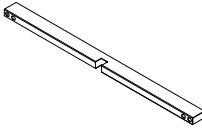
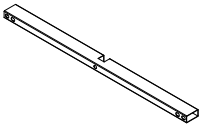
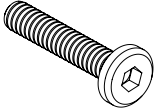
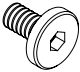
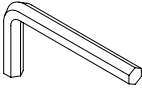
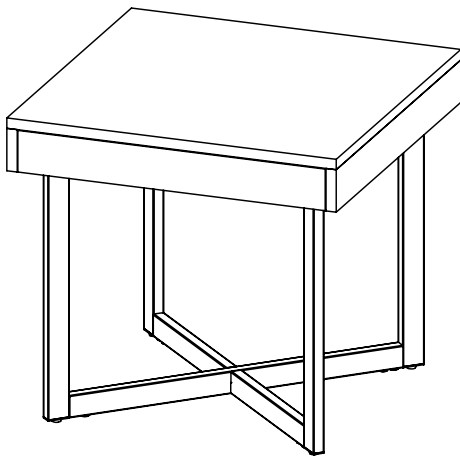


# ASSEMBLY INSTRUCTION

## END TABLE WITH 1 DRAWER

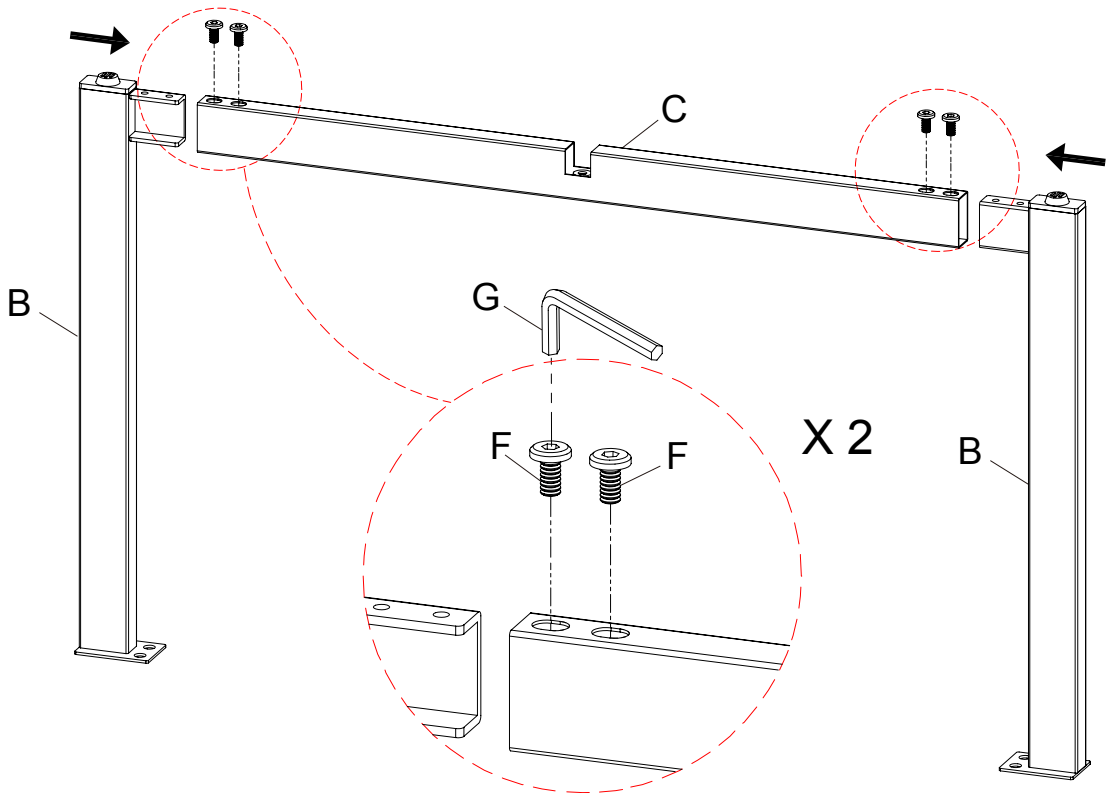
<b>A</b>	Table Top	<b>B</b>	Leg Post	<b>C</b>	Upper Cross Bar	<b>D</b>	Lower Cross Bar
							
1PC		4PCS		1PC		1PC	
<b>E</b>	Bolt 1/4"x1-1/4"xØ13	<b>F</b>	Bolt 1/4"x1/2"xØ13	<b>G</b>	Allen Wrench 4MM		
							
1PC		16PCS		1PC			



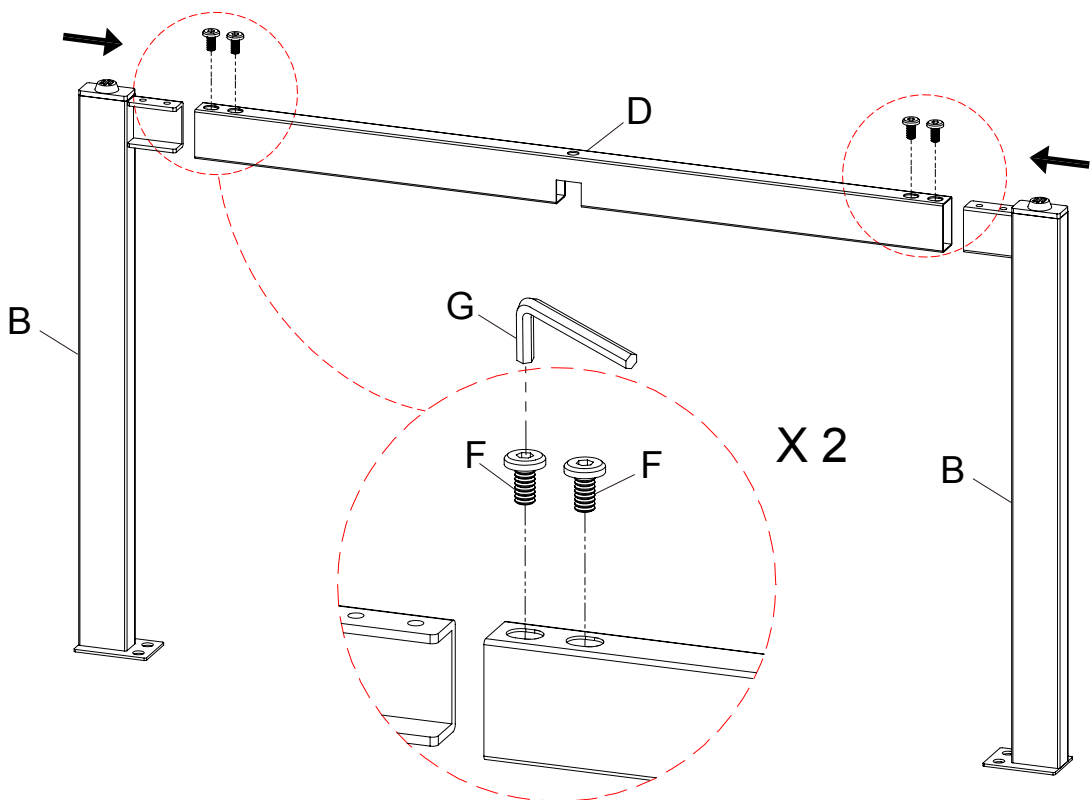
This page lists all the contents included in the box. Please take the time to identify the hardware as well as the individual components to this product. As you unpack and prepare for assembly, place the contents on a carpeted or padded area to protect them from damage.

\*\*\*Do not tighten screws & bolts until the entire unit is completely assembled.

- 1 Assemble the Upper Cross Bar (C) to the Leg Post (B), then using the Bolt (F) by Allen Wrench (G).



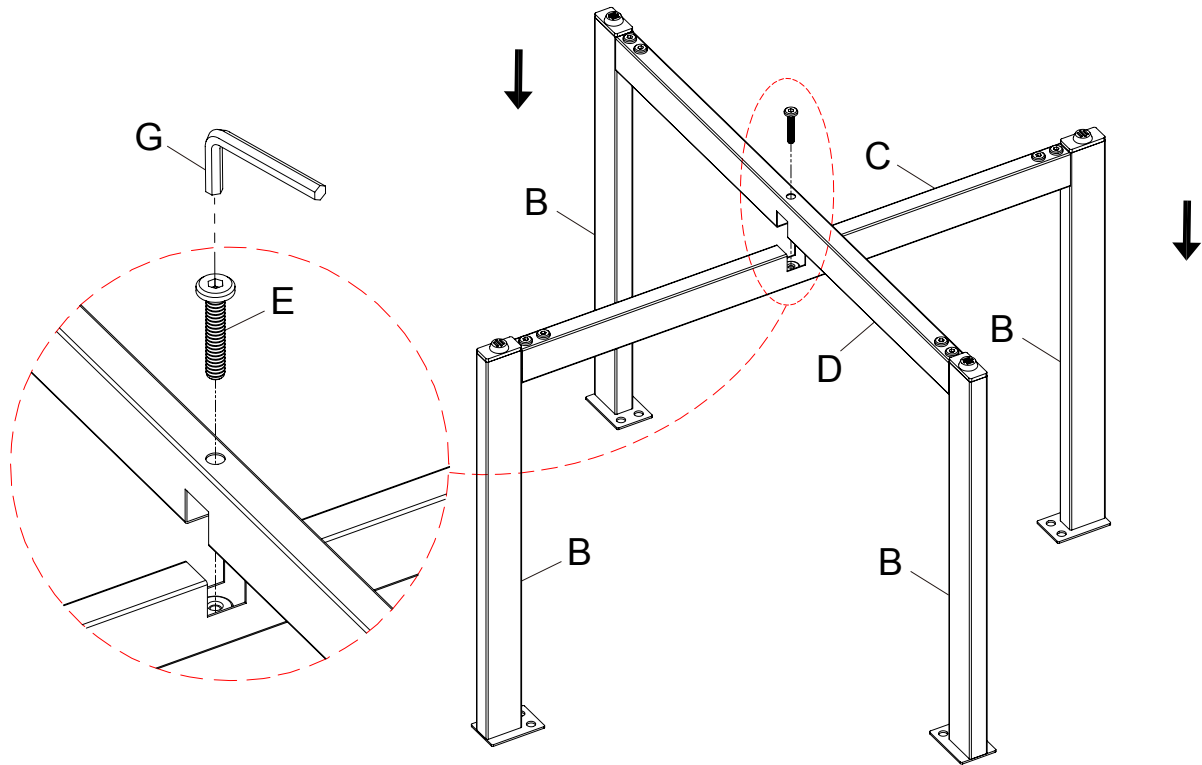
- 2 Assemble the Lower Cross Bar (D) to the Leg Post (B), then using the Bolt (F) by Allen Wrench (G).



\*\*\*Do not tighten screws & bolts until the entire unit is completely assembled.

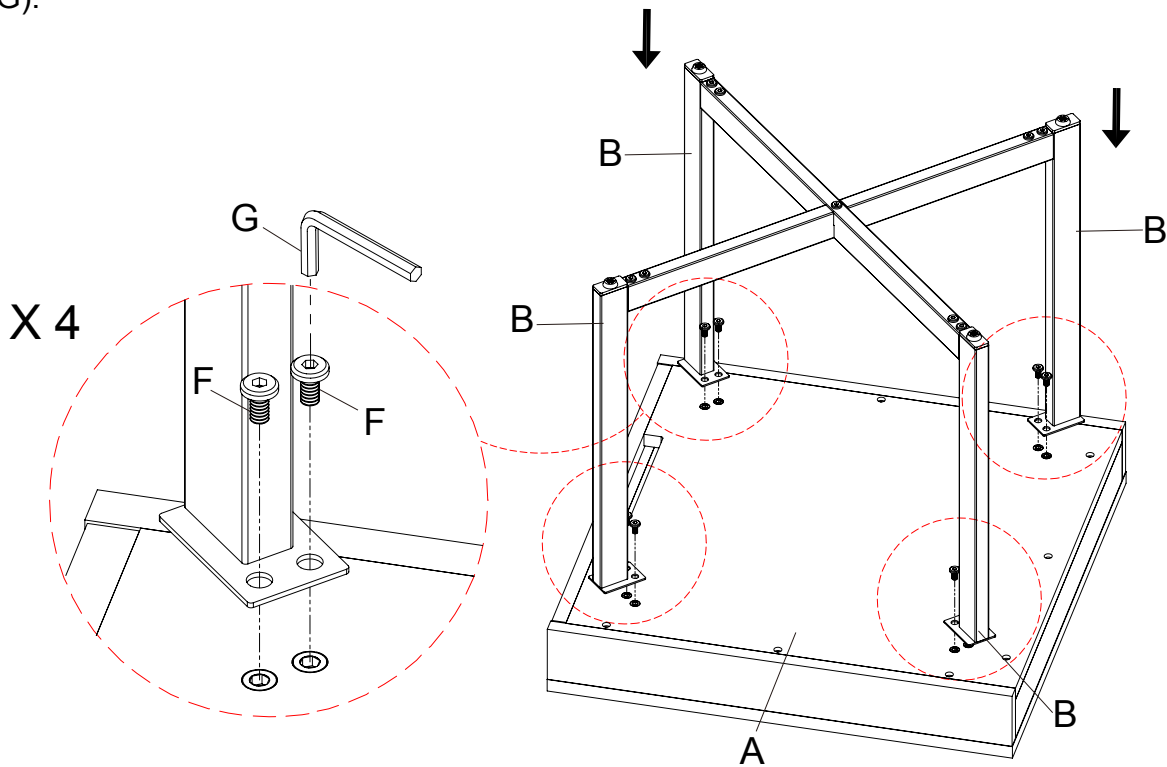
3

Attach the Upper Cross Bar (C) to the assembled Lower Cross Bar (D) as bellow shown, then using the Bolt (E) by Allen Wrench (G).



4

Attach the Table Top (A) to Leg Post (B) as shown, then using the Bolt (F) by Allen Wrench (G).



#### Cleaning & Care

Treat surface with care. Surface is resistant to scratches but is not scratch resistant. Clean surfaces with a dry or damp soft cloth. Do not use abrasive cleaners. Hardware may loosen over time. Periodically check that all connections are tight.