





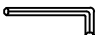
ASSEMBLY INSTRUCTIONS

24 COUNTER HEIGHT STOOL

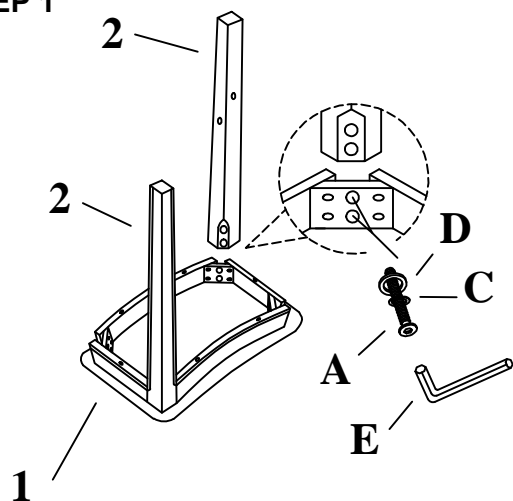
Important note :

- Place all wooden parts on a clean and smooth surface such as a rug or carpet to avoid scratching the parts.
- Kindly follow the assembly instructions step by step.
- Do not tighten all screws and bolts until the stool is fully assembled.

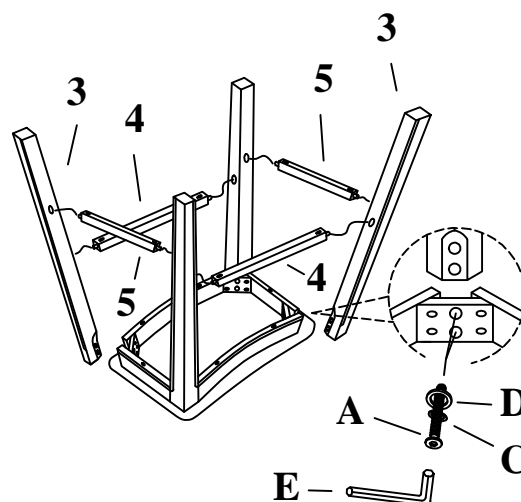
NO	COMPONENT	QTY
1	CUSHION SEAT	1
2	#2 FRONT LEG	2
3	#3 FRONT LEG	2
4	LONG STRETCHER	2
5	SHORT STRETCHER	2

NO	HARDWARE	QTY
A	BOLT Ø5/16" x 20 x 2" 	8
B	SCREW Ø4 x 40mm 	8
C	SPRING WASHER 	8
D	FLAT WASHER 	8
E	ALLEN KEY 	1

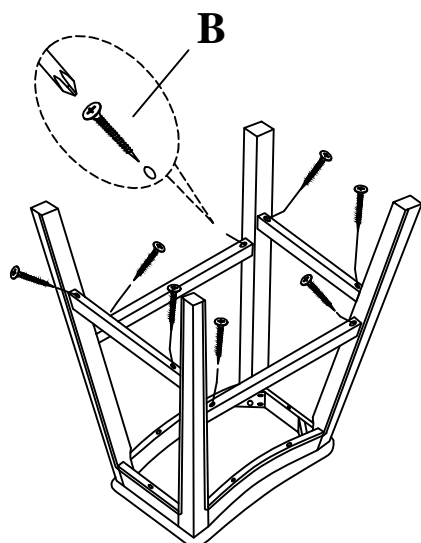
STEP 1



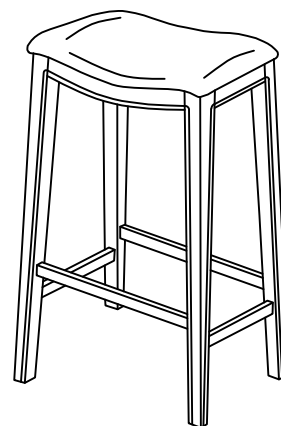
STEP 2



STEP 3



STEP 4



For items use on wooden floor, hard surfaces or carpets, it is recommended to Install protective pads under all legs and supports to avoid/prevent from damages/scratches and discoloration.