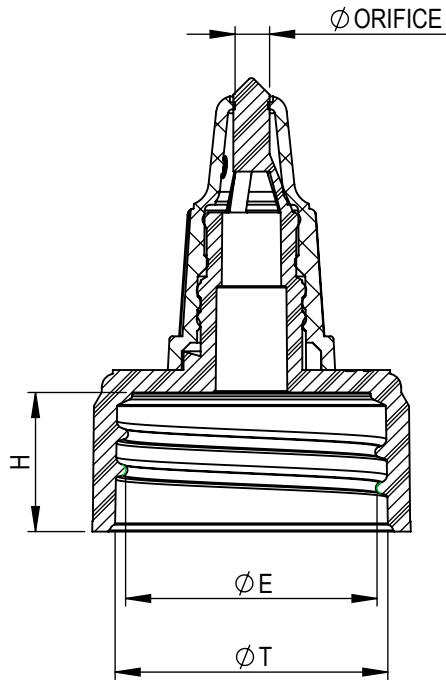
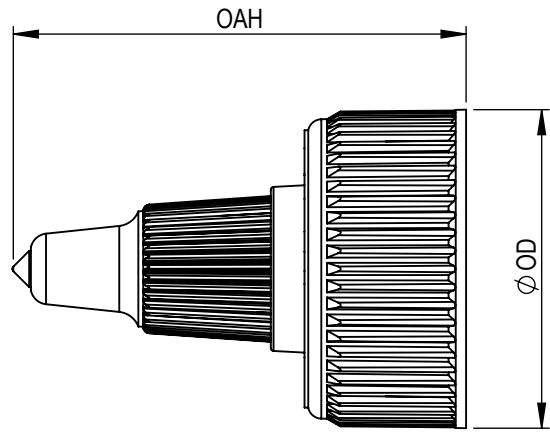
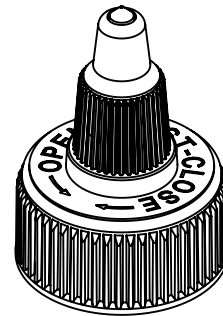


SCALE 1.5: 1



SECTION A-A



SCALE 1 : 1

**STATIC TORQUE RECOMMENDATION: 10-18 in-lbs**  
 REQUIREMENT MAY VARY DEPENDING UPON CONTAINER MATERIAL,  
 NECK FINISH, AND CAPPING EQUIPMENT

REFERENCE	DIMENSION	TOLERANCE	UNITS
Ø E	0.873 [22.17]	±0.010 [0.25]	in [mm]
Ø T	0.945 [24.00]	±0.010 [0.25]	in [mm]
Ø ORIFICE	0.114 [2.90]	±0.005 [0.13]	in [mm]
H	0.483 [12.27]	±0.015 [0.38]	in [mm]
Ø OD	1.100 [27.94]	±0.016 [0.41]	in [mm]
OAH	1.567 [39.80]	±0.020 [0.51]	in [mm]
PART WEIGHT	3.7	±0.4	g
THREAD DETAIL INFORMATION: 8 THREADS PER INCH      0.125" [3.18] PITCH      720° FULL DEPTH THREADS			

DISTRIBUTED BY:



REF NO.:

DWG31834

DESCRIPTION:

24-410 PP Twist Open/Close Cap with .114 Orifice

**DISCLAIMER**

THIS INFORMATION IS PROVIDED AS A GENERAL GUIDE, INCLUDING DIMENSIONS. IT IS THE CUSTOMER'S RESPONSIBILITY TO SELECT THE PROPER CONTAINER FOR PRODUCT AND APPLICATION COMPATIBILITY.