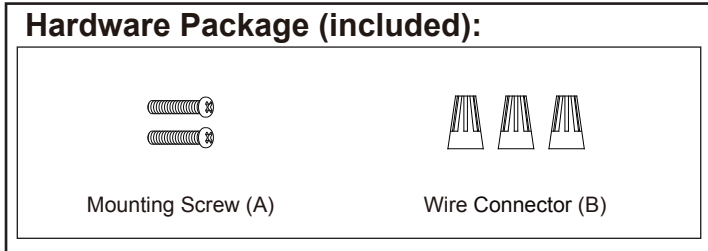


# ASSEMBLY AND INSTALLATION INSTRUCTIONS

C0150 / C0151 / C0152 / C0153

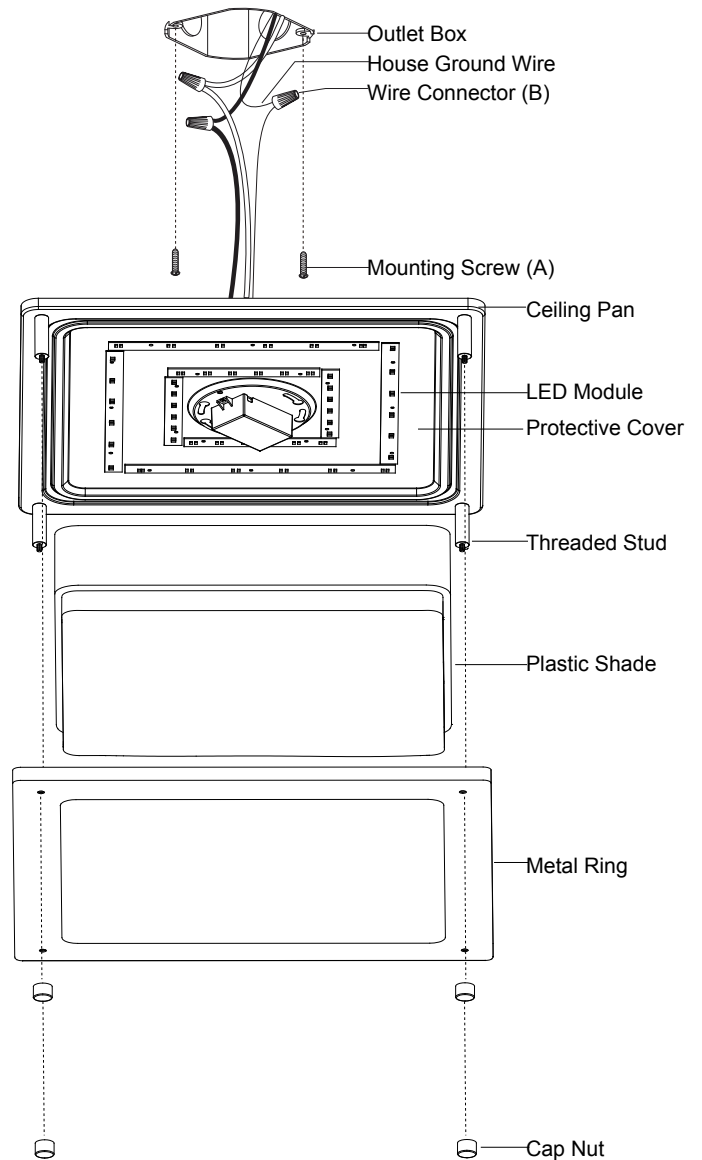
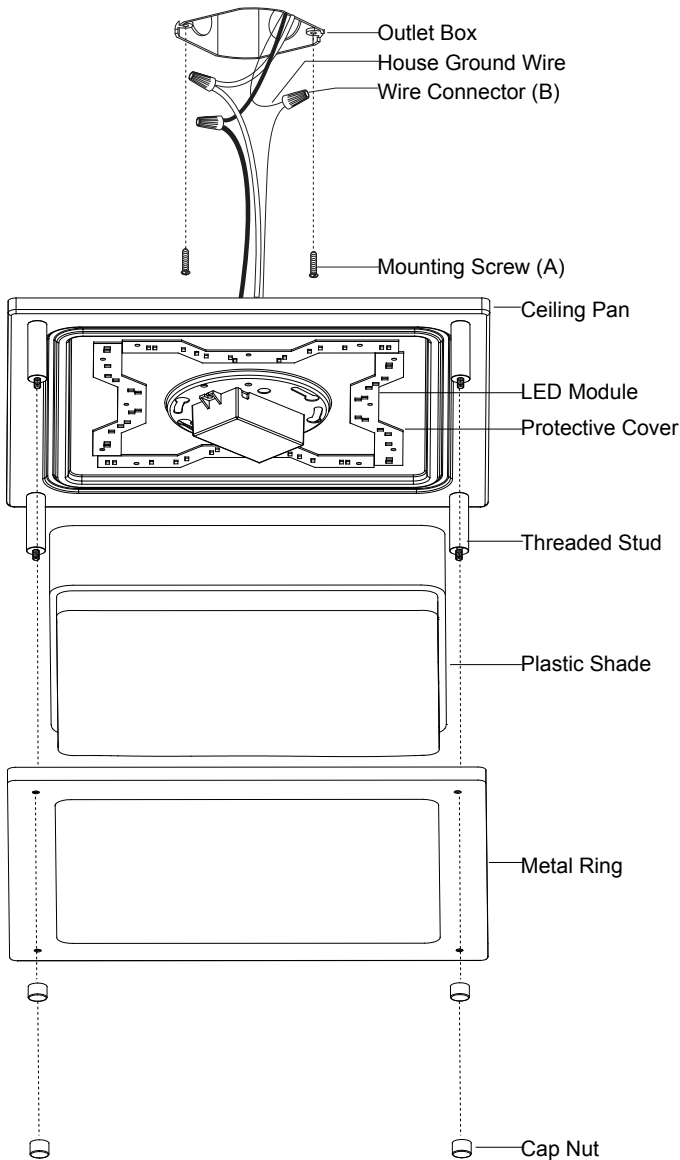
**WARNING:** TO AVOID RISK OF ELECTRICAL SHOCK, BE SURE TO SHUT OFF POWER BEFORE INSTALLING OR SERVICING THIS FIXTURE.

**NOTE:** 1. Before installing, consult local electrical codes for wiring and grounding requirements.  
2. Read and save these instructions.



**C0152 C0153**

**C0150 C0151**



## Installation Steps

### Turn off the power at fuse or circuit box

1. Remove the metal ring and plastic shade from ceiling pan by unscrewing the cap nuts.
2. Attach the two mounting screws to the outlet box, and screw them in 2 to 3 turns.
3. Pull out the source wires from the outlet box. Make wire connections using wire connectors (B) as follows:
  - Connect the hot wire (black insulation) from the fixture to the black wire from the power source.
  - Connect the neutral wire (white insulation) from the fixture to the white wire from the power source.
  - Attach the fixture ground wire (bare wire) to the outlet box. Then connect it to the house ground wire with the wire connector (B).Carefully put the wires back into the outlet box.
4. Attach the ceiling pan to the outlet box by inserting two mounting screw (A) heads into the key holes, and rotate the ceiling pan until it is locked in place, then secure the mounting screws (A) tightly.
5. Lay the plastic shade into metal ring, attach them up to the ceiling pan by inserting the threaded studs, then secure them with cap nuts.

### Turn on the power at fuse or circuit box

This fixture is dimmable with a forward phase electronic dimmer. Dimmers tested to be compatible with this fixture are the Lutron: DVWCL-153PH, MACL-153MH, SCL-153PH, TGCL-153P.

If you are unfamiliar with electrical installations, it is recommended you have a qualified electrician for your installations.

The following parts are available for reorder if damaged or missing.

**Spare Parts List:**

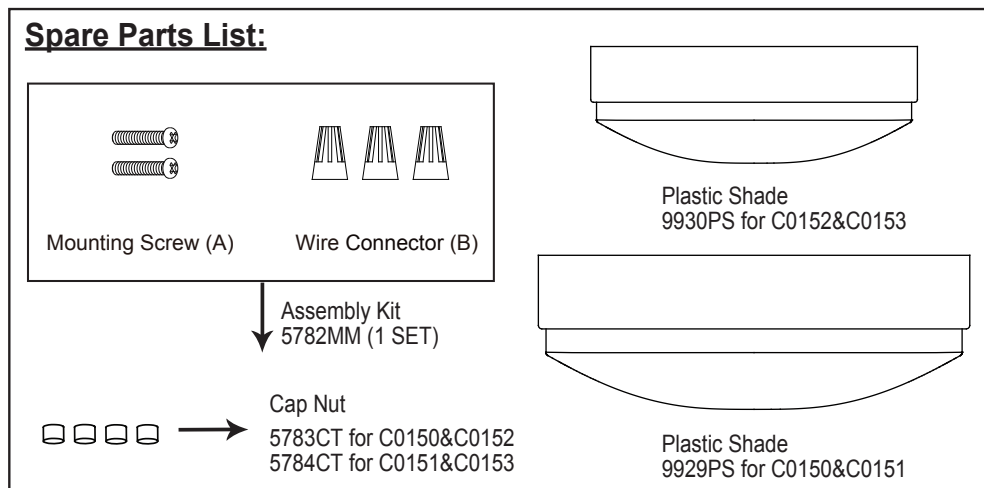
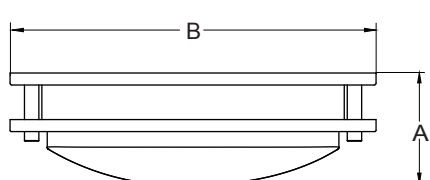


Diagram illustrating the spare parts list for the fixture. The parts are categorized as follows:

- Mounting Screw (A)
- Wire Connector (B)
- Assembly Kit 5782MM (1 SET)
- Cap Nut
  - 5783CT for C0150&C0152
  - 5784CT for C0151&C0153
- Plastic Shade 9930PS for C0152&C0153
- Plastic Shade 9929PS for C0150&C0151



Dimensions shown in the diagram:

- A: 3-1/2"
- B: 16"

Model	Dimension A	Dimension B
C0150 / C0151	3-1/2"	16"
C0152 / C0153	3-1/2"	12"

## 5 Year Limited Warranty

Vaxcel warrants all of our products against defects in workmanship and finishes for one year following the date of shipment.

In addition:

- Any product with an integrated motion sensor or dusk-to-dawn photocell is supported by a 5-year warranty for the functionality of the product.
- Any product with integrated LED modules is covered by a 5-year warranty on the LED functionality.

*Exclusions: This warranty does not include the failure of products from extreme acts of nature; environmental conditions not suited for the products intended use; operation in temperatures outside of the range specified in the instruction manual; usage with improper power supply, power surges or dips. For coastal locations, some corrosion is considered normal for the environment.*

*Vaxcel reserves the right to repair, replace or issue a credit for any properly installed product, provided it is returned per RMA instruction. This warranty is limited to the cost of the product only and does not extend to transportation, installation or replacement costs.*

How can warranty service be obtained?

info@vaxcel.com  
1-800-482-9235