

## DATASHEET



### Precision Meets Performance—Your iPad's Secure Foundation

The CONNECT PRO iPad Case Air13 M2 BK (SKU 72326) is the ultimate solution for those who demand style, security, and functionality in one sleek package. Built for the iPad Air 13-inch (M2), this case features a precision-engineered locking mechanism that keeps your device securely in place. Its durable black finish provides a professional, modern aesthetic, while the magnetic alignment system ensures effortless docking and secure connections every time. Whether in a high-paced retail environment or an office setting, this case is designed to elevate your iPad experience.

More than just a protective case, the CONNECT PRO Case Air13 M2 BK is part of a modular system designed to adapt to your professional needs. When combined with IPORT's CONNECT PRO Docks and MultiDocks, it transforms your iPad into a fully mobile, integrated workstation. Perfect for use in retail, hospitality, or corporate offices, this case ensures that your iPad stays charged, secure, and always ready to deliver. Designed for professionals who value security, ease of use, and flexibility, the CONNECT PRO Case adapts seamlessly across various business applications.

**PRODUCT FEATURES**



**KEY FEATURES**

**Locking Mechanism**

Features a precision-engineered locking system, ensuring that your iPad Air13 M2 is securely housed. This mechanism acts as a deterrent to prevent removal of the iPad.



**Precise Cutouts and Tactile Buttons**

Designed with precise cutouts for ports, cameras, and speakers, along with tactile buttons, to maintain full access to all iPad controls and functions while in the case.



**Modular Dock and Station Interface**

Case connectors enable seamless attachment to CONNECT PRO Docks and Stations for efficient charging.



**Magnetic Alignment System**

Features a magnetic alignment system for quick and easy docking, ensuring a secure and consistent connection with compatible accessories.



**INSTALLATION**

Scan the QR Code for installation video. Also located on product box.

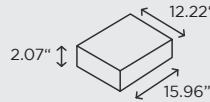


**PRODUCT DETAILS**

Product Dimensions	
Depth	0.71" (1.8 cm)
Height	12.44" (31.6 cm)
Width	9.82" (24.9 cm)
Weight	0.75 lbs. (0.34 kg)

Technical Specifications	
Antimicrobial	No
Connector Type	USB-C
Finish Type	Texture
Input Voltage	5V/1.5A
Output Voltage	5V/1.5A
Installation Hours	0.08
Interfaces	Station Interface
IP Rating	None
Lockable	Yes, using the included special tool
MIL-STD-810	No
Power Supply	No
Prop 65 Warning	Yes
Weatherproof	No

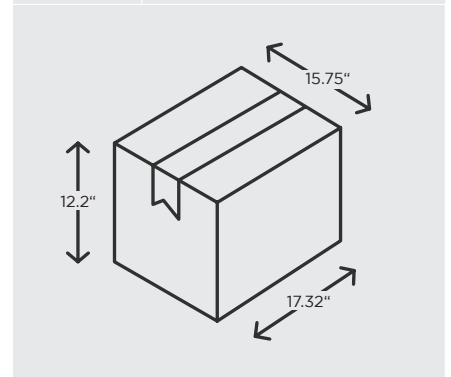
Shipping Dimensions	
UOM Base	Each
Base Depth	15.96" (40.6 cm)
Base Height	2.07" (5.3 cm)
Base Width	12.22" (31.05 cm)
Base Weight	2.16 lbs. (0.98 kg)



Standards
FCC CFR Title 47, Part 15, Subpart B
EN 62368-1:2014 + A11:2017 (EU)
EN 55032:2015+A11:2020
EN IEC 61000-3-2:2019
EN 61000-3-3:2013+A1:2019
EN 55035:2017+A11:2020
IEC 62368-1:2014 (2nd Edition)
BS EN 55032:2015+A11:2020
BS EN IEC 61000-3-2:2019
BS EN 61000-3-3:2013+A1:2019
BS EN 55035:2017+A11:2020
AS/NZS CISPR 32:2015 +A1:2020
(Certifications may coincide with product combinations)

**Certifications**

Master Carton Dimensions (MC)	
MC Depth	17.32" (43.99 cm)
MC Height	12.2" (30.99 cm)
MC Width	15.75" (40.01 cm)
MC Units Quantity	(N/A)



Package Contents
Information Card
Special Tool for Locking Mechanism

Warranty
1 year

Apple Product Compatibility
iPad Air 13-inch (M2)

**I PORT COMPATIBILITY**

**I PORT Connect Pro Stations:**

Efficient and stylish solutions for mounting and charging iPads equipped using the Connect Pro 72326

**Connect Dock and Multi-dock 6:**

Charge up to 6 iPads directly in their I PORT Connect Pro cases.



BASE Station  
(SKU 72352 Black)  
(SKU 72353 White)



WALL Station  
(SKU 72350 Black)  
(SKU 72351 White)



VESA Station  
(SKU 72357 Black)  
(SKU 72358 White)



DOCK and MULTIDOCK  
(SKU 72307 CONNECT Dock)  
(SKU 72309 CONNECT MultiDock 6 IPAD SYNC)

\*-payment devices sold separately