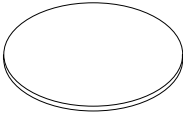
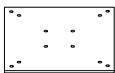
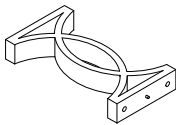
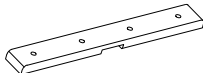
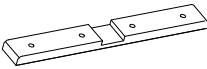
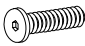




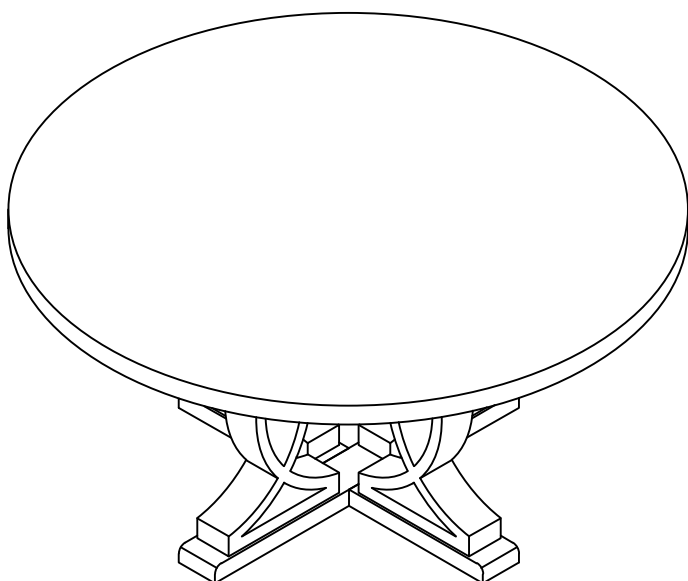


ASSEMBLY INSTRUCTION

60" ROUND DINING TABLE

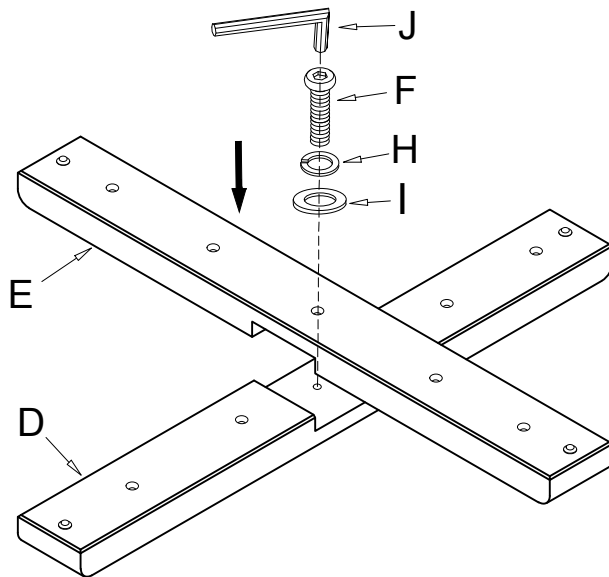
A Table Top 	B Joint Panel 	C Post 	D Leg-Up 
1 pc	1 pc	4 pcs	1 pc
E Leg-Down 	F Bolt 5/16"*1-3/8" 	G Bolt 5/16"*2" 	H Lock Washer 5/16"*1/2" 
1 pc	13 pcs	8 pcs	21 pcs
I Flat Washer 5/16"*3/4" 	J Allen Wrench 1/6 " 		
21 pcs	1 pc		



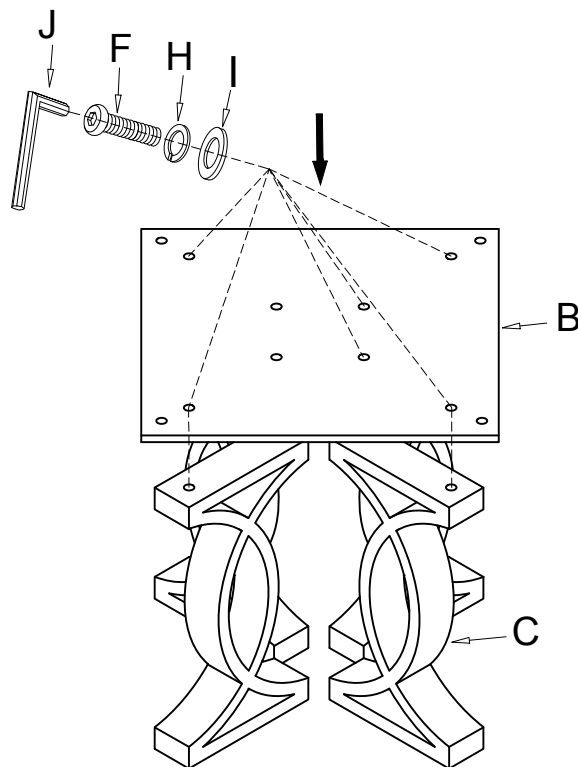
This page lists all the contents included in the box. Please take the time to identify the hardware as well as the individual components to this product. As you unpack and prepare for assembly, place the contents on a carpeted or padded area to protect them from damage.

1

Place the Leg-Up (D) and Leg-Down (E) upside down on the smooth carpet surface. Tighten the Leg (D&E) by Bolt (F), Lock Washer (H) and Flat Washer (I) with Allen Wrench (J).

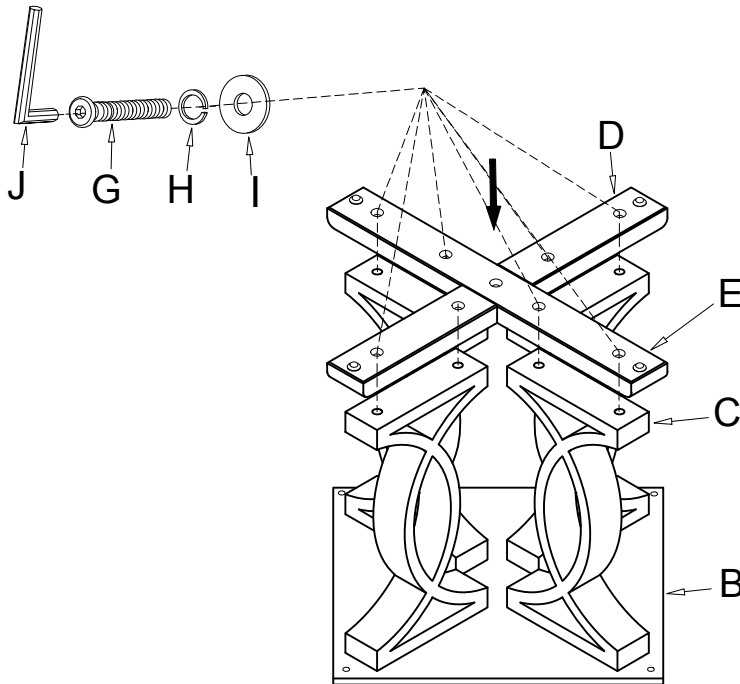
**2**

Tighten the Post (C) to the Joint Panel (B) by Bolt (F), Lock Washer (H) and Flat Washer (I) with Allen Wrench (J).

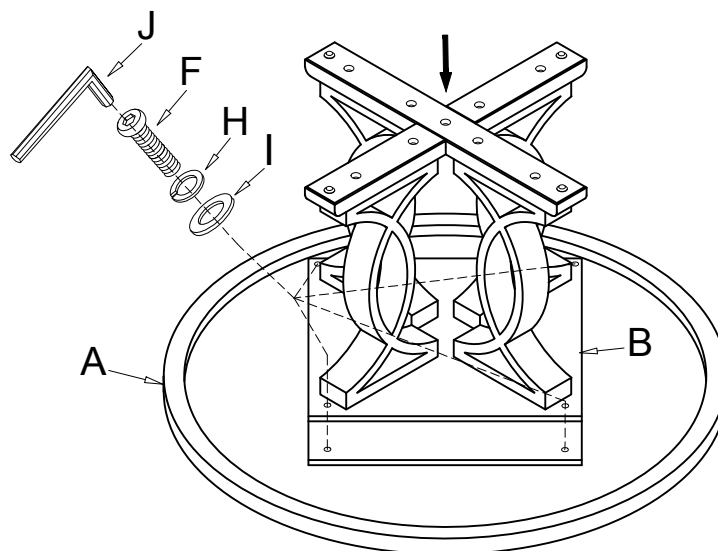


3

Place the Joint Panel (B) and the Post (C) upside down on the smooth carpet surface. After that, tighten the Leg (D&E) to the Post (C) by Bolt (G), Lock Washer (H) and Flat Washer (I) with Allen Wrench (J).

**4**

Place the Table Top (A) upside down on the smooth carpet surface. Tighten the Joint Panel (B) to the Table Top (A) by Bolt (F), Lock Washer (H) and Flat Washer (I) with Allen Wrench (J).



Cleaning & Care

Treat surface with care. Surface is resistant to scratches but is not scratch resistant. Clean surfaces with a dry or damp soft cloth. Do not use abrasive cleaners. Hardware may loosen over time. Periodically check that all connections are tight.