








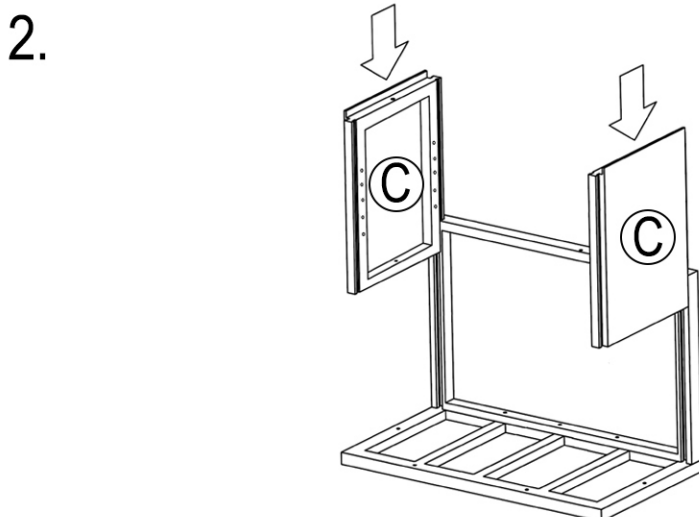
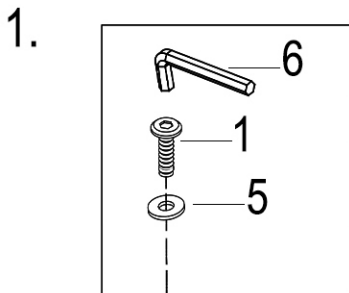
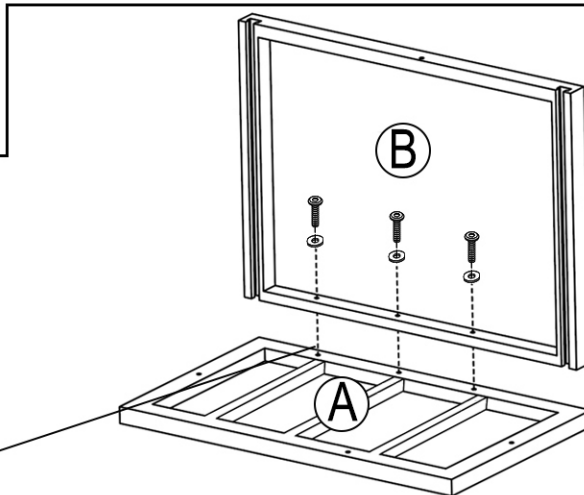
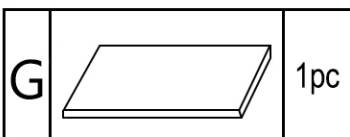
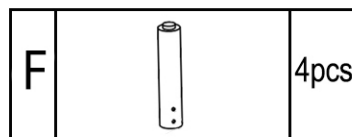
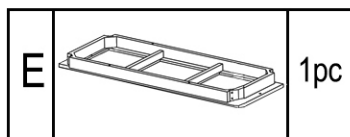
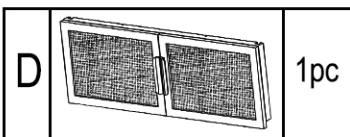
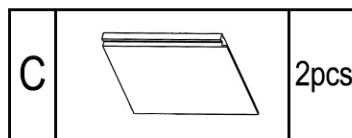
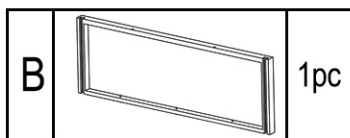
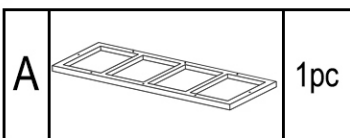
# ASSEMBLY INSTRUCTIONS

## Ori Cane 2-Door Accent Cabinet

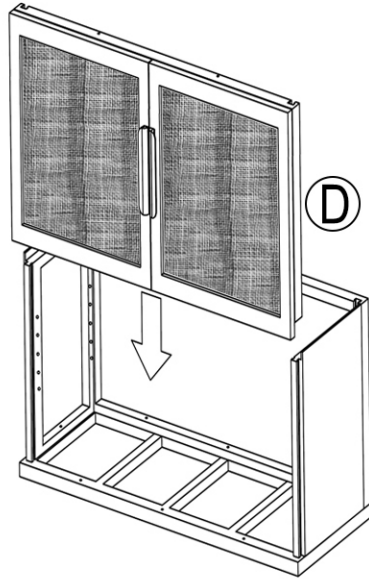
### Parts required

1		Bolt	Φ6*25MM	8pcs
2		Bolt	Φ6*30MM	8pcs
3		Bolt	Φ6*40MM	4pcs
7		Shelf pin		4pcs

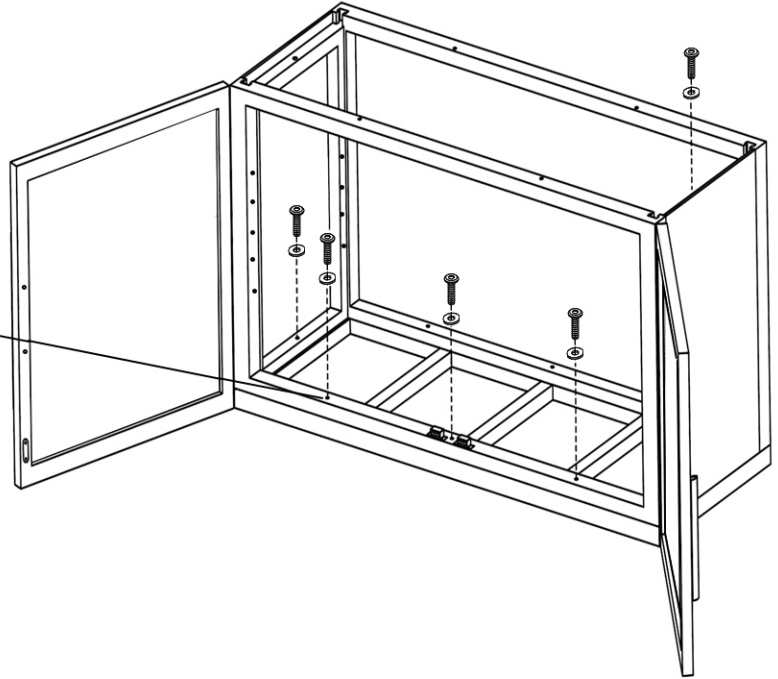
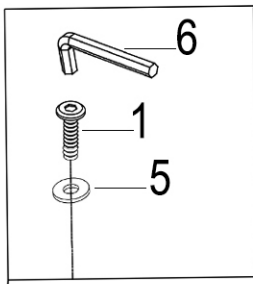
4		Bolt	Φ6*20MM	2pcs
5		Flat washer	Φ6MM	22pcs
6		Allen wrench		1pc



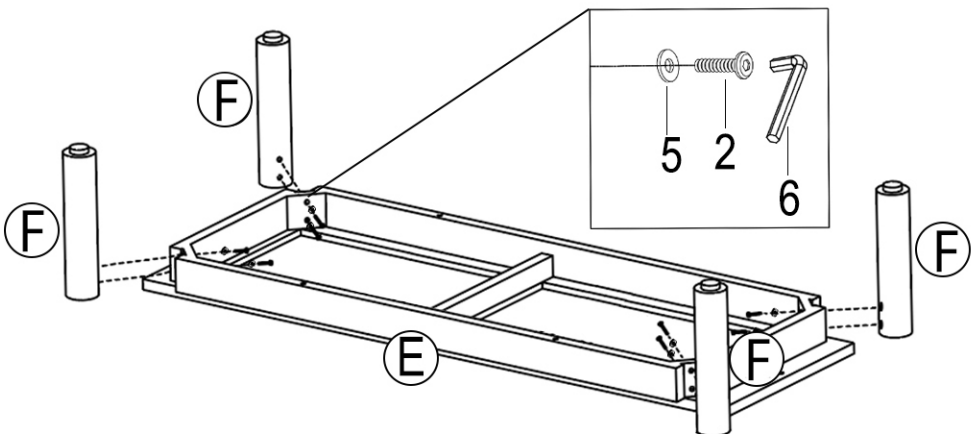
3.



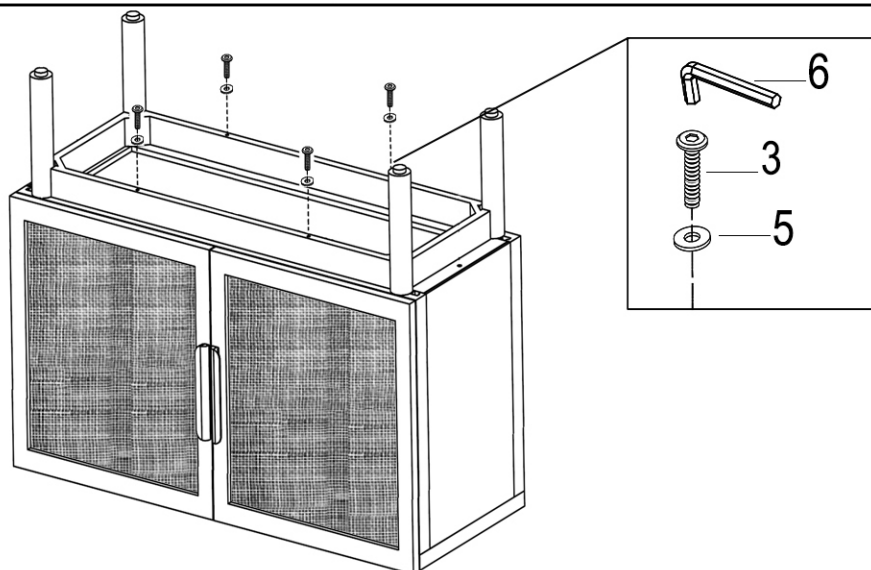
4.



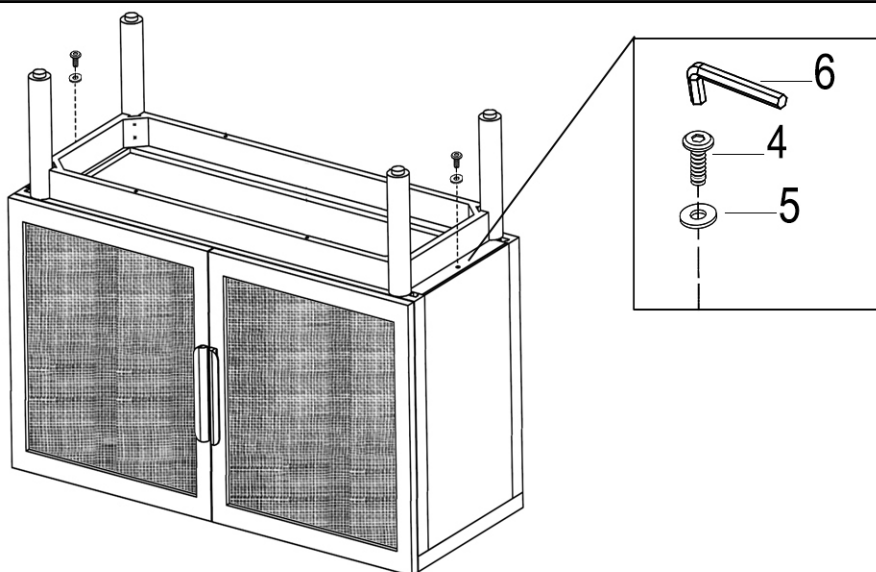
5.



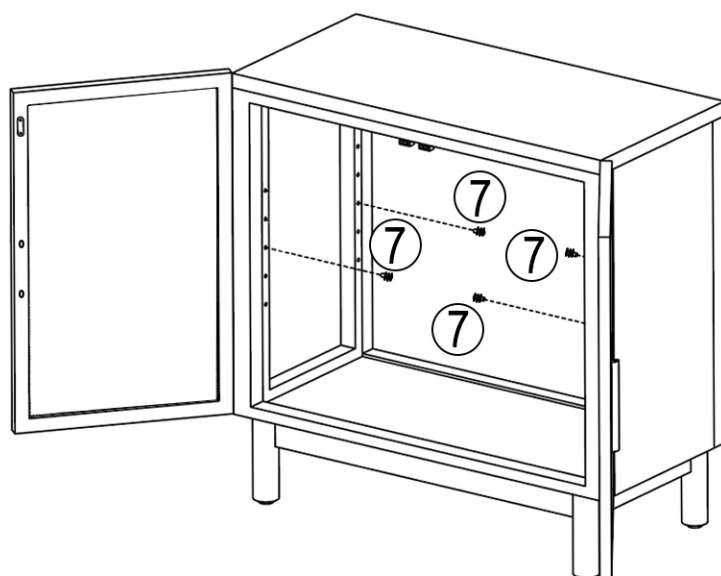
6.



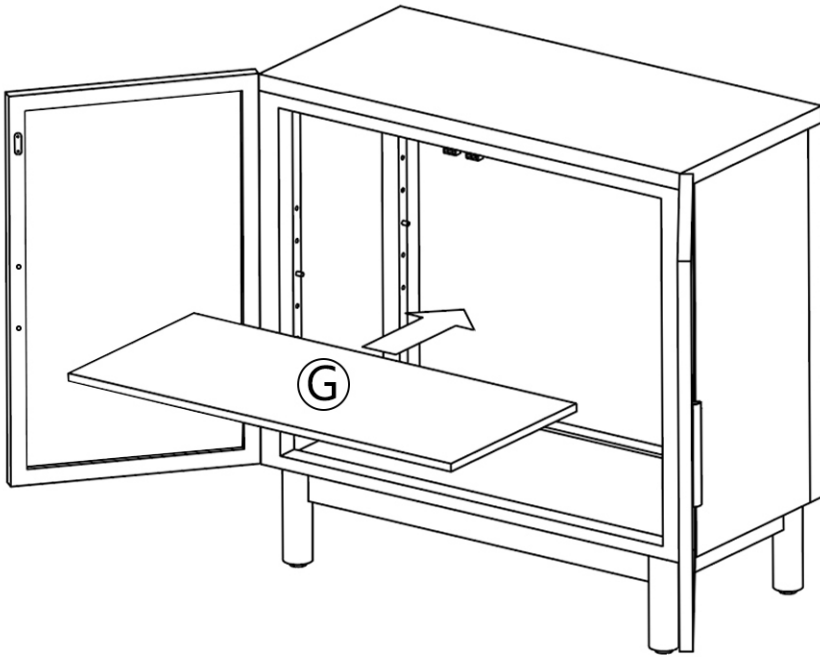
7.



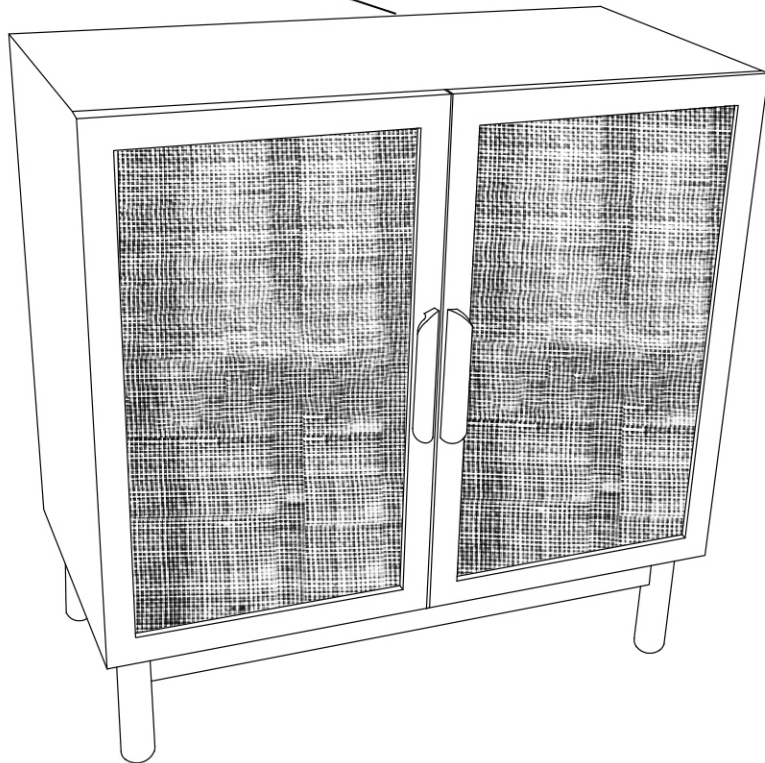
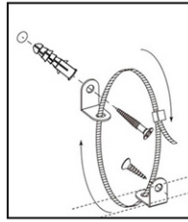
8.







9.



10.



- 1 x 
- 2 x 
- 1 x 
- 1 x 
- 1 x 