

KALLISTA®

Pinna Paletta® by Laura Kirar Sink Faucet, Tall Spout, Lever Handles P24900-SNW

Features

- High-quality solid-brass construction for durability and reliability
- Widespread sink faucet for 8" – 16" (203 – 406 mm) centers
- 1.2 gpm (4.5 lpm) maximum flow rate
- Spout reach is 5-1/2" (140 mm)
- Includes drain and lift rod
- Laminar flow

Recommended Products/Accessories

P24910-SNW Wall-Mount Sink Faucet, Lever Handles
P24933-SNW Towel Bar, 18"
P24936-SNW Hook



ADA **CSA B651** **OBC**

Codes/Standards


ASME A112.18.1/CSA B125.1
NSF/ANSI/CAN 61
NSF/ANSI/CAN 372
DOE - Energy Policy Act 1992
EPA WaterSense®
California Energy Commission (CEC)
ADA
ICC/ANSI A117.1
CSA B651
OBC
NOM Standards
NOM 012-CONAGUA

KALLISTA® Five-Year Limited Warranty

See website for detailed warranty
information.

Available Colors/Finishes

Color tiles intended for reference only.

Color	Code	Description
	SN	Polished Nickel

1-888-4-KALLISTA (1-888-452-5547)

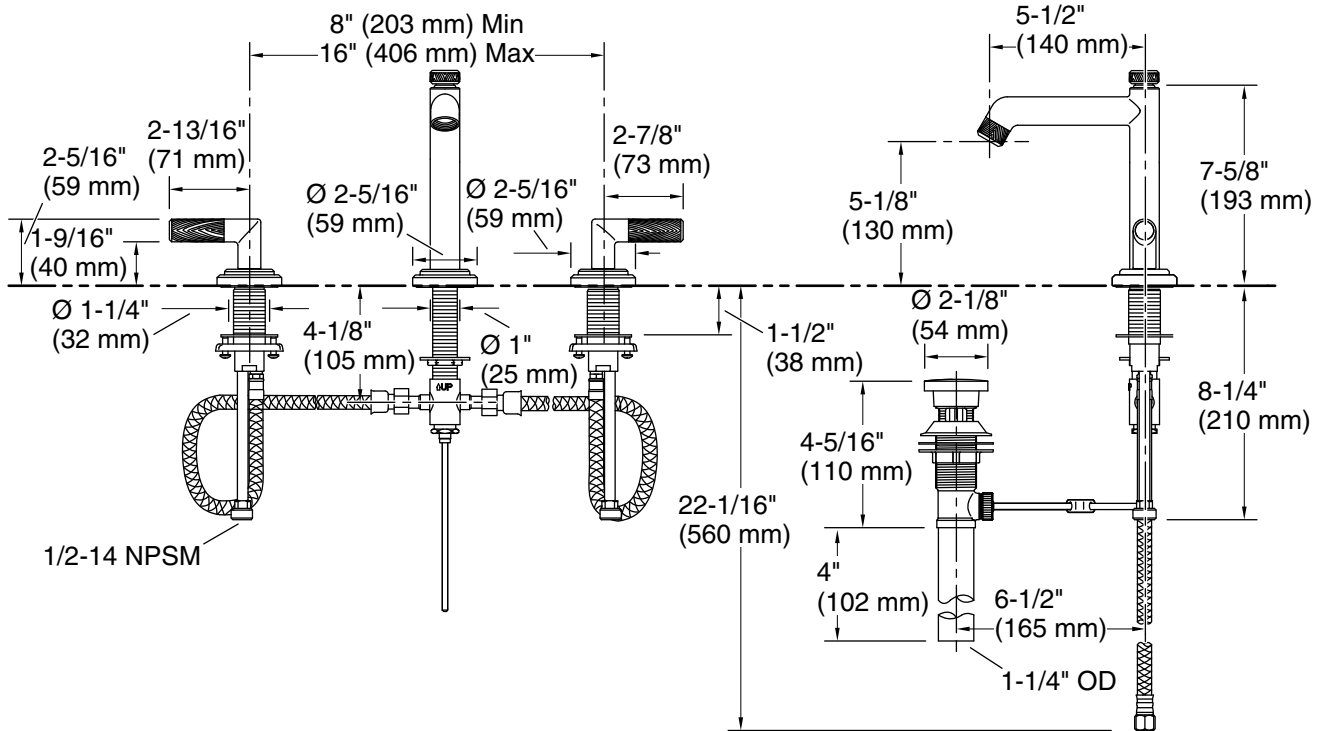
Kallista reserves the right to make revisions without notice to product specifications.

For the most current Specification Sheet, go to www.kallista.com.

1-26-2026 20:46 - US/CA

KALLISTA

Pinna Paletta® by Laura Kirar
Sink Faucet, Tall Spout, Lever Handles
P24900-SNW



Technical Information

All product dimensions are nominal.

Faucet flow rate: 1.2 gal/min (4.5 l/min)

Drain included: Yes
Drain with overflow: Yes

Spout:

Spout reach: 5-1/2" (139 mm)

Notes

Install this product according to the installation instructions.

ADA, OBC, CSA B651 compliant when installed to the specific requirements of these regulations.