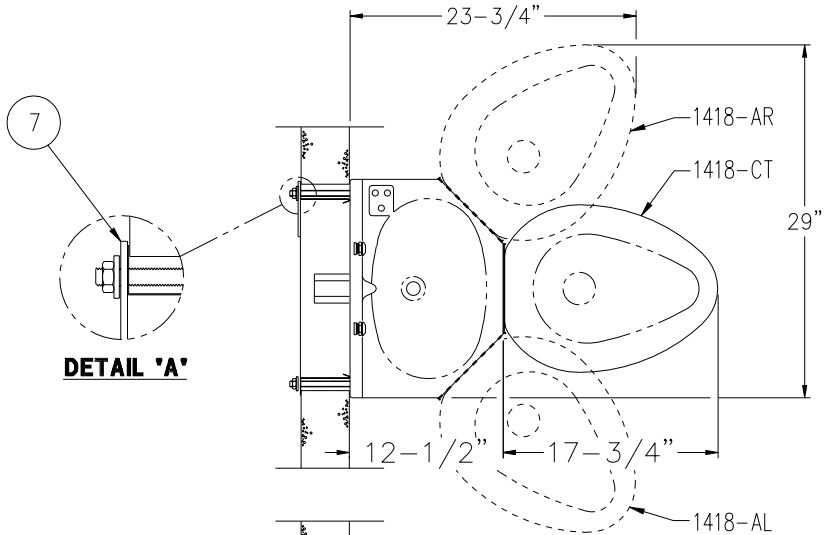
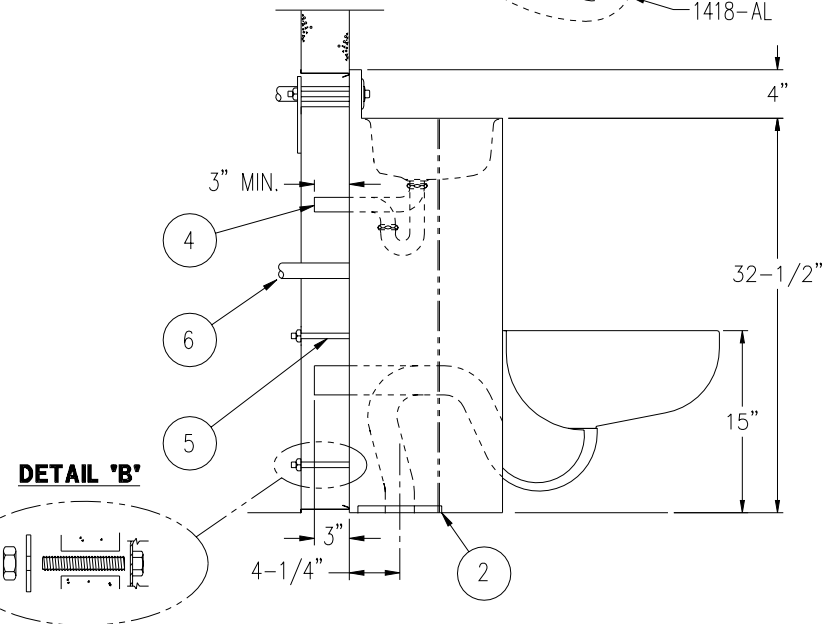
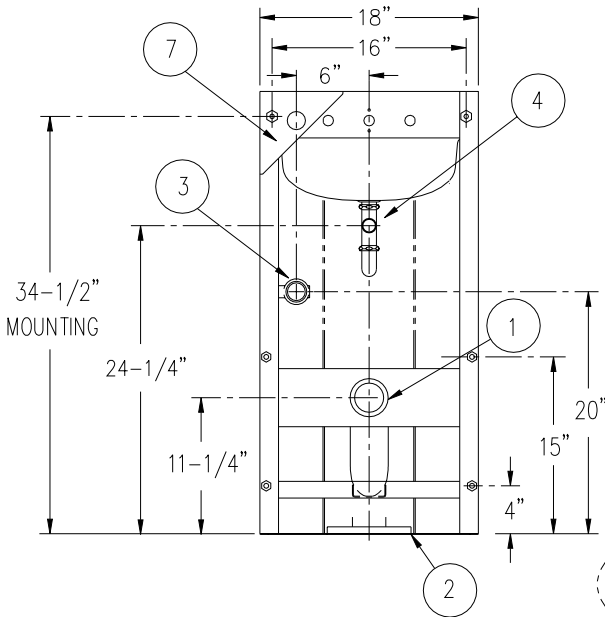




REFERENCE DRAWINGS	
-SW WALL SLEEVE / -MT TEMPLATE	9925-203-001
MOUNTING HARDWARE	9957-900-001
VALVE INSTALLATION:	
-4 AIR-CONTROL (HOT & COLD)	9905-000-003
-3 AIR-CONTROL (SINGLE TEMP.)	9905-001-003



**REAR VIEW OF 1418-CT & 1418-AR UNITS.  
1418-AL UNITS OPPOSITE.**



**DETAIL 'B'**

**INSTALLATION INSTRUCTIONS:**

IMPORTANT: SOME OPTIONS MAY SLIGHTLY ALTER INSTALLATION PROCEDURES. READ ALL SUPPLEMENTAL DRAWINGS BEFORE INSTALLATION OF FIXTURE. ALL FASTENERS, PLATES AND NUTS PROVIDED ARE ESSENTIAL IN PROPERLY ANCHORING THE FIXTURE. ACORN CANNOT ASSUME ANY RESPONSIBILITY FOR UNITS IMPROPERLY INSTALLED.

**A- ROUGH-IN PLUMBING FOR THE FOLLOWING CONNECTIONS:**

- **TOILET WALL WASTE OUTLET:** 2-3/8" O.D. PLAIN END (1). SUFFIX OPTION -W03 3" O.D. PLAIN END WASTE (1).
- **TOILET FLOOR WASTE OUTLET:** 7-1/2" DIA RECESSED GASKET FLANGE WITH 5/16" TAPPINGS AT 6" O/C (2).
- **FLUSHING INLET CONNECTION** 1-1/2" NPT (3).
- **LAVY WASTE OUTLET (4)** 1-1/2" O.D. PLAIN END STANDARD.
- SEE INDIVIDUAL VALVE SHEET FOR LAVY VALVE ROUGH-IN.

**B-** BEFORE FASTENING FIXTURE TO THE WALL, FLOOR OUTLET TYPE FIXTURES MUST BE SET IN PLACE ON WASTE CONNECTION.

**C-** SCREW IN (6) 1/2"-13 STUDS (5) INTO BACK OF FIXTURE. STUDS MUST HAVE A MINIMUM 1/2" ENGAGEMENT. SCREW IN FLUSHING SUPPLY NIPPLE (1-1/2"IPS) (6). MAKE-UP THE LAVY WASTE CONNECTION - 1-1/2" O.D. PLAIN END (SUITABLE FOR A COMPRESSION CONNECTION).

**D-** LOCATE FIXTURE INTO PLACE, SLIDING STUDS AND PIPES THROUGH WALL OPENINGS. NOTE: IT MAY BE NECESSARY TO SUPPORT OFF FLOOR FIXTURES ON CELL SIDE OF WALL TO SECURE PROPERLY FROM PIPE CHASE.

**E-** SECURE FIXTURE TO WALL USING WASHERS AND/OR PLATE AND NUTS. INSTALL FLUSH VALVE SUPPORT PLATE (7) ON FLUSH VALVE SIDE. TORQUE (6) NUTS TO 60FT/LBS. SEE DETAILS A & B.



**ACORN ENGINEERING COMPANY**  
P.O. BOX 3527 INDUSTRY, CA. 91744  
(626) 336-4561 FAX (626) 961-2200

TITLE		
<b>18" LAV-TOILET COMBY ANCHORING INSTRUCTIONS CAT. #1418 - CT/AL/AR</b>		
MANUFACTURE DATE	DATE ISSUED	DRAWING NUMBER
<b>MARCH 1999</b>	<b>03-03-99</b>	<b>9925-000-005</b>
<b>TO PRESENT</b>	DATE REVISED	
	<b>11/13/01</b>	