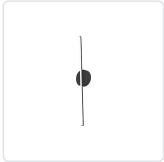


CHUTE WS14935

WALL

PROJECT



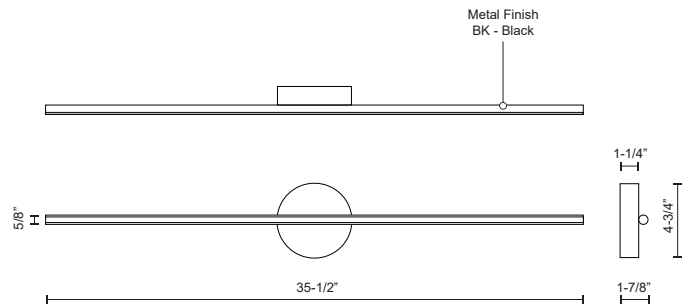
WS14935-BK
Black

DESCRIPTION

Extruded aluminum cylinder with welded capped ends. Circular wall mount. Finely textured powder-coat finish. Rounded opal silicon diffuser. Outward emitting light. Custom options available.

SPECIFICATION DETAILS

Fixture Dimensions	W35-1/2" x H4-3/4" x E1-7/8"
Light Source	LED with DC Driver
Wattage	15W
Total Lumens	1355lm
Delivered Lumens	BK-784lm
Voltage	120V
Color Temperature	3000K
CRI (Ra)	90CRI
Optional Color Temps	2700K - 5000K Available, Minimum Order Quantities Apply
LED Rated Life	50,000 hours
Dimming	100% - 10%, TRIAC or ELV Dimmer (Not Included)
Diffuser Details	White Acrylic Diffuser
ADA Compliant	Yes
Location	Damp
Illumination Direction	Fontlight Illumination
Mounting Style	All Orientation; Wall;
CEC Title 24 JA8	Yes, JA8-2022
Canopy Dimensions	D4-3/4" x E1-1/4"
Paint Finish	BK02;



* For custom options, consult factory for details.

* For warranty information, please visit www.kuzcolighting.com/warranty

KUZCO

CANADA: 19054 28TH AVENUE - SURREY, BC V3Z 6M3

USA: 3035 E. LONE MOUNTAIN ROAD - LAS VEGAS, NV 89081

WWW.KUZCOLIGHTING.COM

© 2019 KUZCO LIGHTING. ALL RIGHTS RESERVED.

COMMENT

