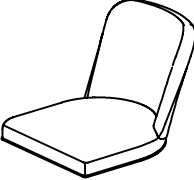
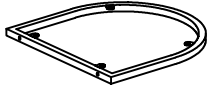
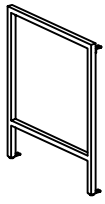
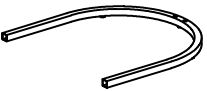
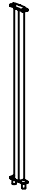
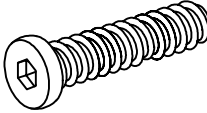
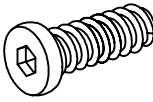
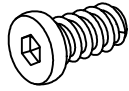


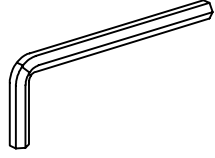
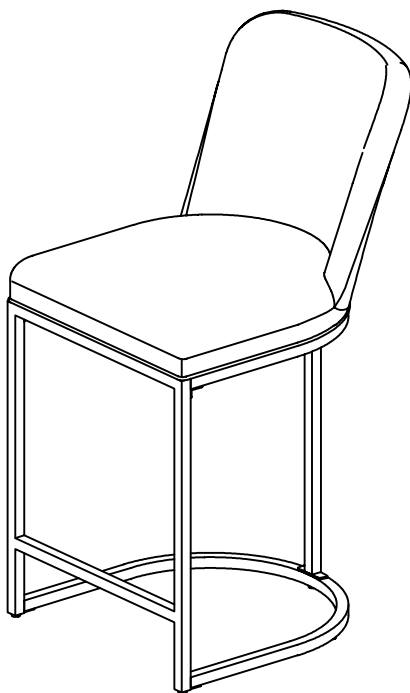


# ASSEMBLY INSTRUCTION

24"H COUNTER HEIGHT CHAIR  
29"H BAR HEIGHT CHAIR

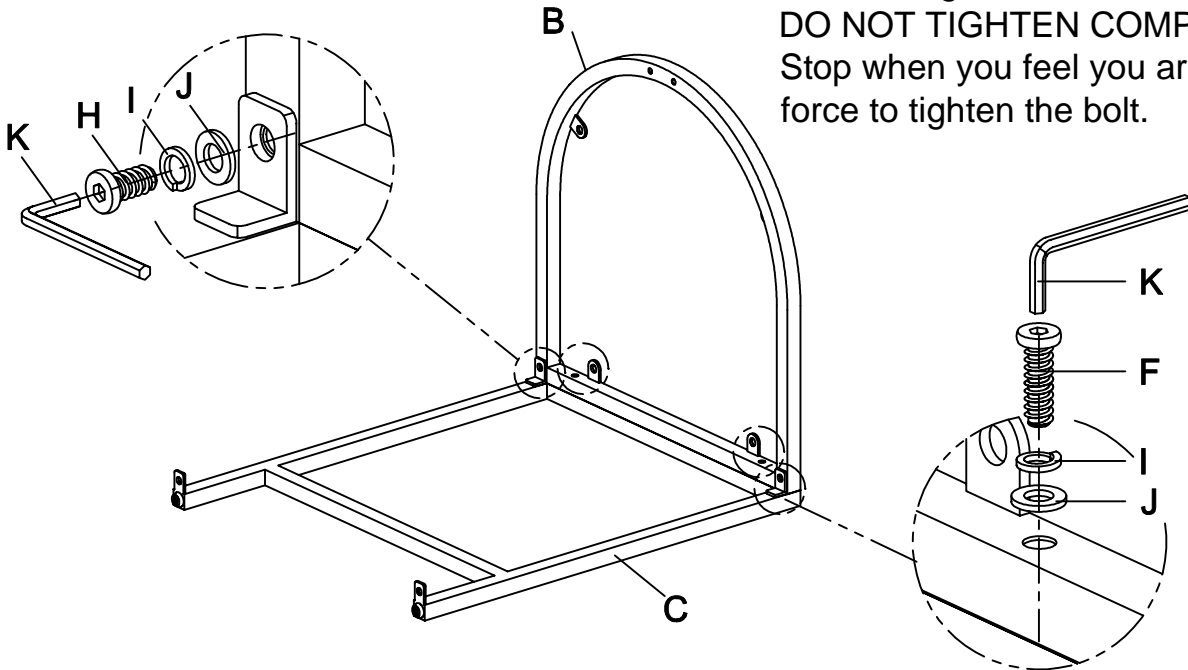
<b>A</b> Seat  1 pc	<b>B</b> Seat Frame  1 pc	<b>C</b> Front Frame  1 pc	<b>D</b> Stretcher  1 pc
<b>E</b> Back Support  1 pc	<b>F</b> Bolt $\text{\O}1/4" \times 1-1/2"$  2 pcs	<b>G</b> Bolt $\text{\O}1/4" \times 3/4"$  4 pcs	<b>H</b> Bolt $\text{\O}1/4" \times 5/8"$  8 pcs
<b>I</b> Lock Washer $\text{\O}1/4" \times 13\text{mm}$  10 pcs	<b>J</b> Flat Washer $\text{\O}1/4" \times 16\text{mm}$  10 pcs	<b>K</b> Allen Key M4  1 pc	



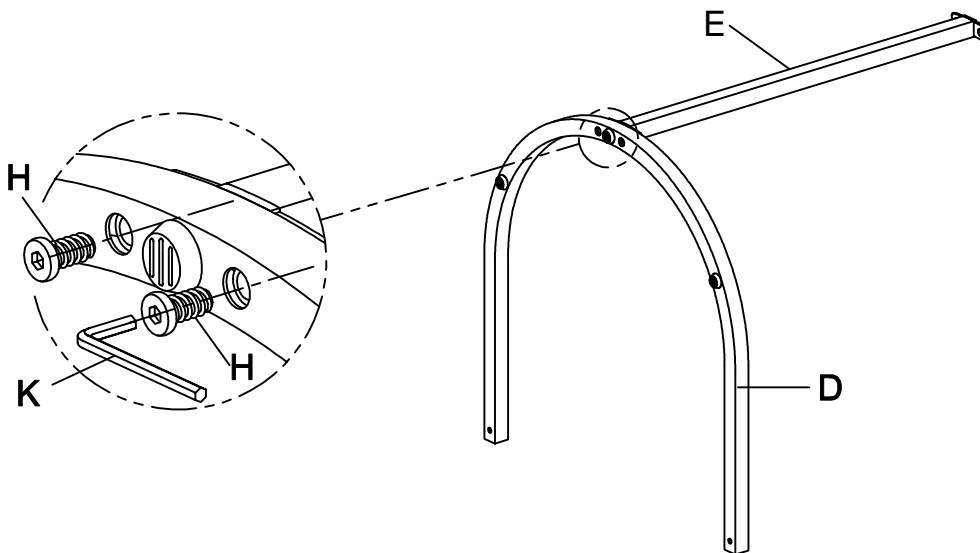
This page lists all the contents included in the box. Please take the time to identify the hardware as well as the individual components to this product. As you unpack and prepare for assembly, place the contents on a carpeted or padded area to protect them from damage.

- 1** Attach Seat Frame (B) to Front Frame (C), using Bolt (F) & Bolt (H), Lock Washer (I) and Flat Washer (J) by Allen Key (K) as below shown.

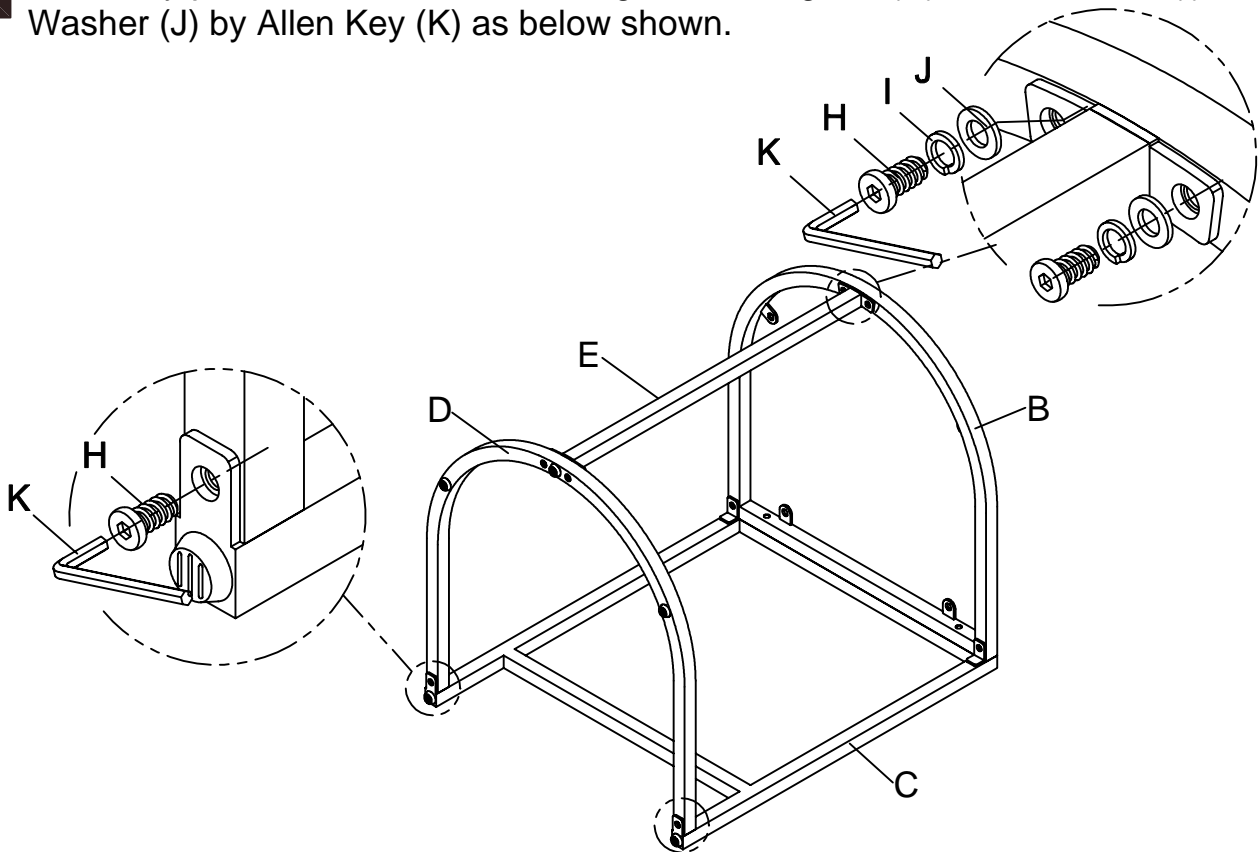
Take the Allen Key, and turn the bolts until the legs are secure.  
**DO NOT TIGHTEN COMPLETELY.**  
Stop when you feel you are adding force to tighten the bolt.



- 2** Attach Back Support (E) to Stretcher (D), using Bolt (H) by Allen Key (K) as below shown.

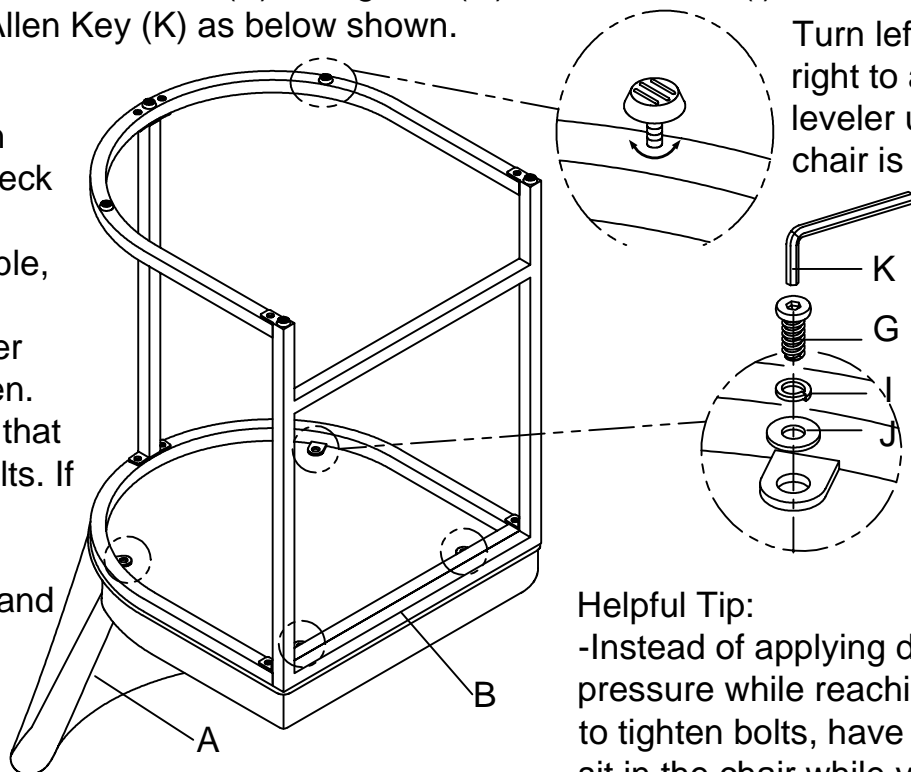


- 3** Assembly pre-assembled two units together, using Bolt(H), Lock Washer (I) and Flat Washer (J) by Allen Key (K) as below shown.



- 4** Attach Seat (A) to Seat frame (B), using Bolt (G), Lock Washer (I) and Flat Washer (J) by Allen Key (K) as below shown.

Stand chair up on an even surface and check that it is balanced. If there is a slight wobble, apply downward pressure in the corner where a leg is uneven. Keeping pressure in that corner, tighten all bolts. If balanced, apply downward pressure evenly in the center and tighten all bolts. Do not over-tighten beyond hole depth.



Turn left or turn right to adjust the leveler until the chair is stabilized.

**Helpful Tip:**

-Instead of applying downward pressure while reaching under to tighten bolts, have someone sit in the chair while you tighten the bolts.

**Cleaning & Care**

Treat surface with care. Surface is resistant to scratches but is not scratch resistant. Clean surfaces with a dry or damp soft cloth. Do not use abrasive cleaners. Hardware may loosen over time. Periodically check that all connections are tight.