



# Sunstruck® | K-1966-GHW

65-1/2" x 35-1/2" freestanding Heated BubbleMassage™ air bath with Bask® heated surface and straight shroud

## Features

- Bask® heated surface creates spa-like relaxation with soothing warmth on your back, shoulders, and neck
- Three heat settings allow you to customize the surface temperature
- 118 to 122 airjets release thousands of heated bubbles that surround and support the body in a warm massage
- Automatic and manual purge cycles remove residual water from air channels after use
- Variable-speed blower lets you adjust massage intensity to 18 levels
- Freestanding design creates a striking focal point in your bathing area
- 16" (406 mm) depth offers a deep soaking experience
- Integral lumbar support on both ends
- Textured bottom surface
- Wide ledge on one side is ideal for deck-mount faucet and/or handshower
- Straight shroud
- Built-in 600W BubbleMassage™ heater warms humidified air before it enters the bath
- Automatic and manual purge cycles remove residual water from air channels after use
- Built-in 60W electric heater included to keep bath surface warm



## Available Colors/Finishes

*Color tiles intended for reference only.*

- 0 White



1-800-4KOHLER (1-800-456-4537)

Kohler Co. reserves the right to make revisions without notice to product specifications.

For the most current specification sheet, go to [www.kohler.com](http://www.kohler.com) USA or [www.kohler.ca](http://www.kohler.ca) Canada.

5-13-2026 15:55 - US-CA

THE BOLD LOOK  
OF **KOHLER**

## Codes/Standards

ASME A112.19.7/CSA B45.10  
 CSA B45.5/IAPMO Z124  
 ASTM E162  
 ASTM E662  
 UL 1795  
 UL Listed

## Technical Information

*All product dimensions are nominal.*

|                      |                                       |
|----------------------|---------------------------------------|
| Drain Location:      | Center                                |
| Drain Hole Diameter: | 20" (508 mm)                          |
| Basin Area, Bottom:  | 45-3/4" x 24-7/8" (1162 mm x 632 mm)  |
| Basin Area, Top:     | 54-7/8" x 29-3/16" (1394 mm x 741 mm) |
| Water Depth:         | 15-3/4" (400 mm)                      |
| Water Capacity:      | 72.6 gal (274.8 L)                    |
| Minimum Floor Load:  | 40.4 lbs/ft <sup>2</sup>              |
| Weight:              | 91 lbs (41.3 kg)                      |

## Material

- Acrylic

## Recommended Products/Accessories

K-23726 Drain treatment  
 K-23732 Tub & shower cleaner  
 K-7265 Brass toe tap bath drain

## Required Products/Accessories

- K-T37392 Rotary-turn bath drain trim
  - K-T37391 Rotary-turn bath drain trim
- or
- K-78438 30" cable bath drain

## Technology

- Auto-shutoff timer on blower allows users to enjoy Heated BubbleMassage™ experience for 60 minutes before turning off
- User interface: two separate electronic keypad controls for Heated BubbleMassage™ and Bask®

## Required Electrical Service

Two dedicated circuits required, protected with Class A Ground-Fault Circuit-Interrupter (GFCI). Outside North America, this device may be known as a Residual Current Device (RCD).

|                         |                    |
|-------------------------|--------------------|
| Blower, Heated Surface: | 120 V, 15 A, 60 Hz |
| Heater:                 | 120 V, 15 A, 60 Hz |

## Electrical Component Ratings

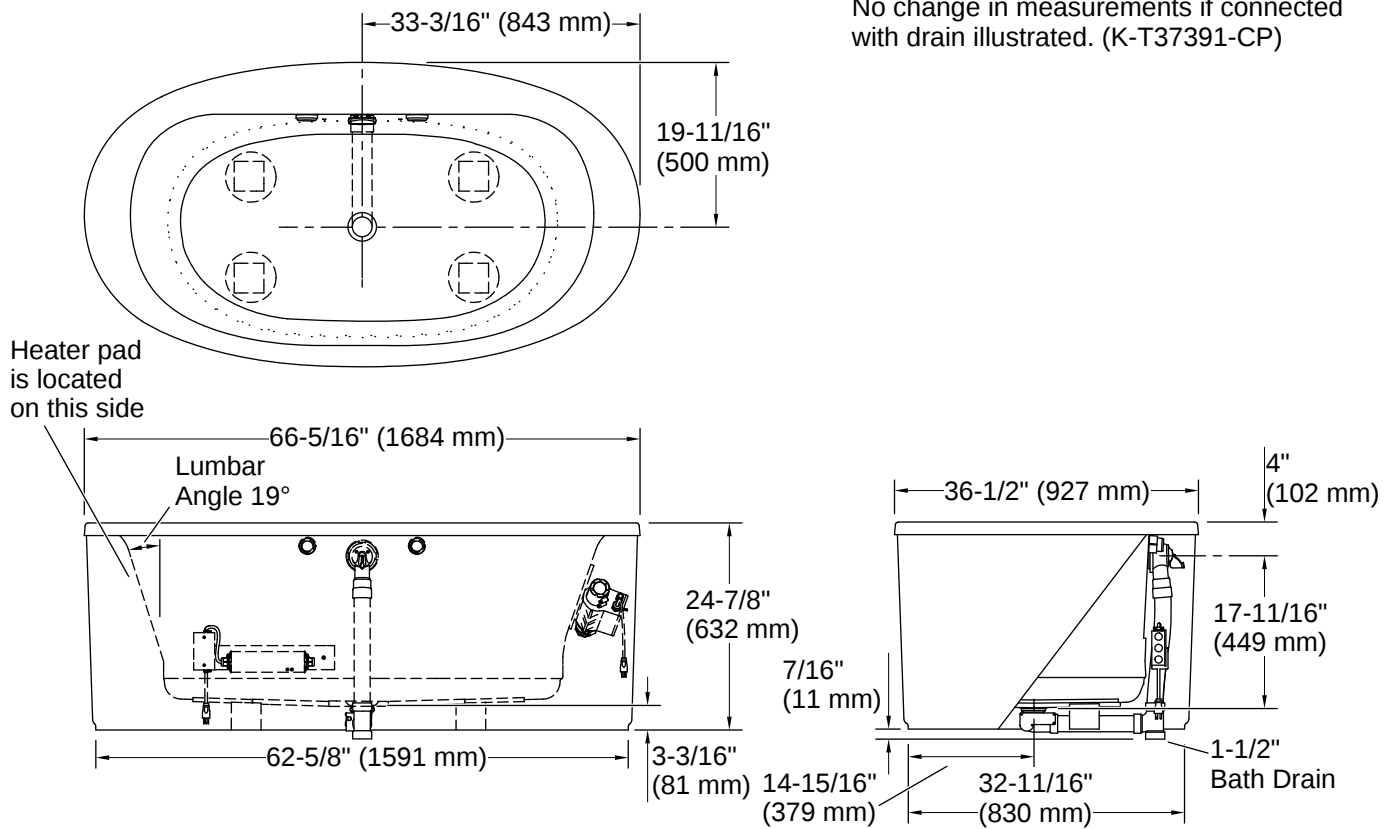
|                 |                     |
|-----------------|---------------------|
| Blower:         | 120 V, 10 A         |
| Heated Surface: | 120 V, 0.5 A, 60 Hz |
| Heater:         | 120 V, 5 A, 60 Hz   |

## Warranty

*See website for detailed warranty information.*

KOHLER® Plastic Baths and Shower Bases Lifetime Limited Warranty|KOHLER® Hydrotherapy Components Five-Year Limited Warranty





## Installation

- Center drain
- Freestanding
- PureFlo drains are not recommended for a deck-mount faucet installation
- Remote blower motor installation required (relocation kit is included)

## Installation Notes

*Install this product according to the installation instructions.*

Measure your actual product for rough-in details.

The hot water supply should be 70% of the capacity of the bath or greater. Installations will vary.

This bath is designed for freestanding installation only.

If installing a rim-mount faucet, make sure there is no interference above or below the deck before drilling any holes.

