

Installation Instructions for

Marston Ceiling**CF1064** | **1.0****VISUAL COMFORT & Co.**

STUDIO COLLECTION

GENERAL PRODUCT INFORMATION:

These fixtures are intended to be installed utilizing NEC compliant junction boxes.

This product is safety listed for damp locations.

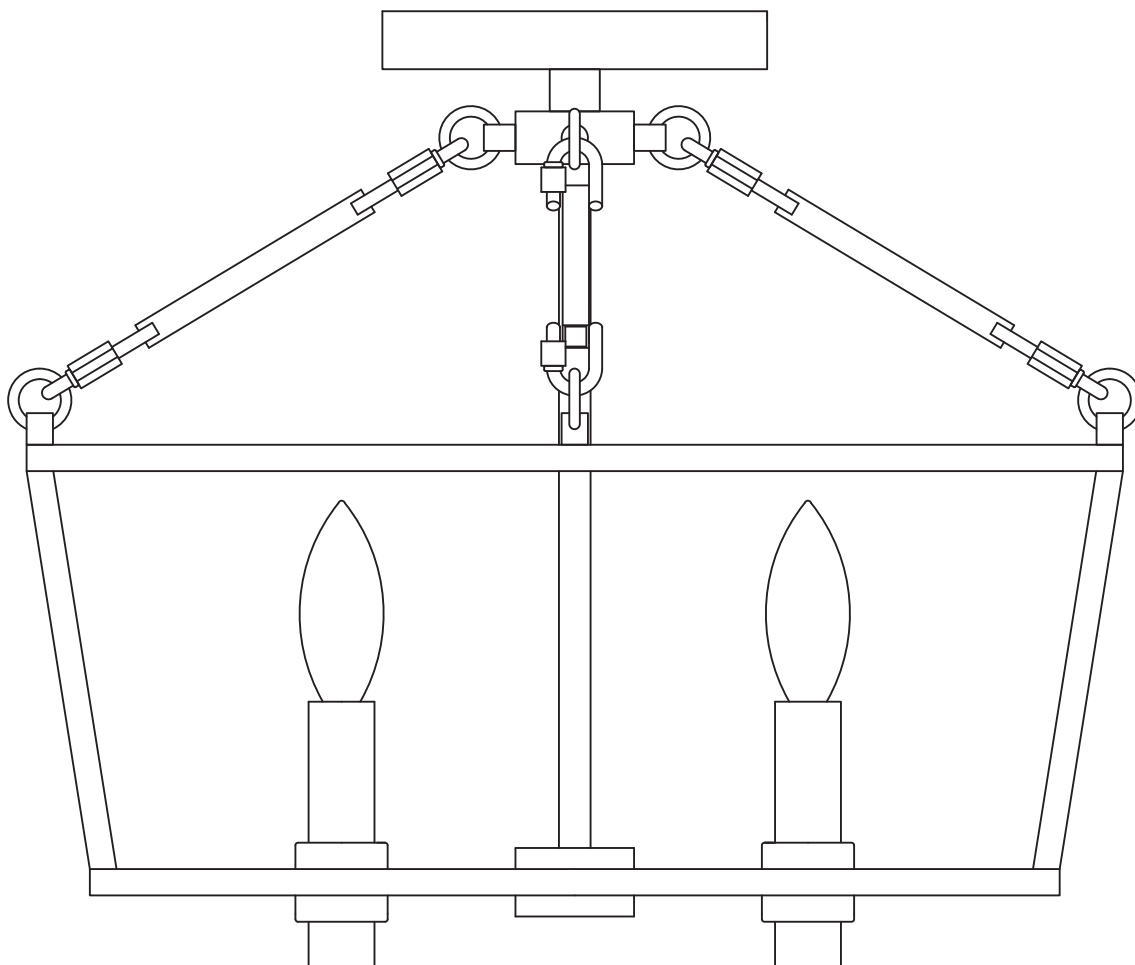
Incandescent version may be dimmed with a standard incandescent dimmer. LED version may be dimmed with a LED dimmer. Consult lamp manufacturer for additional information.

This instruction shows a typical installation.

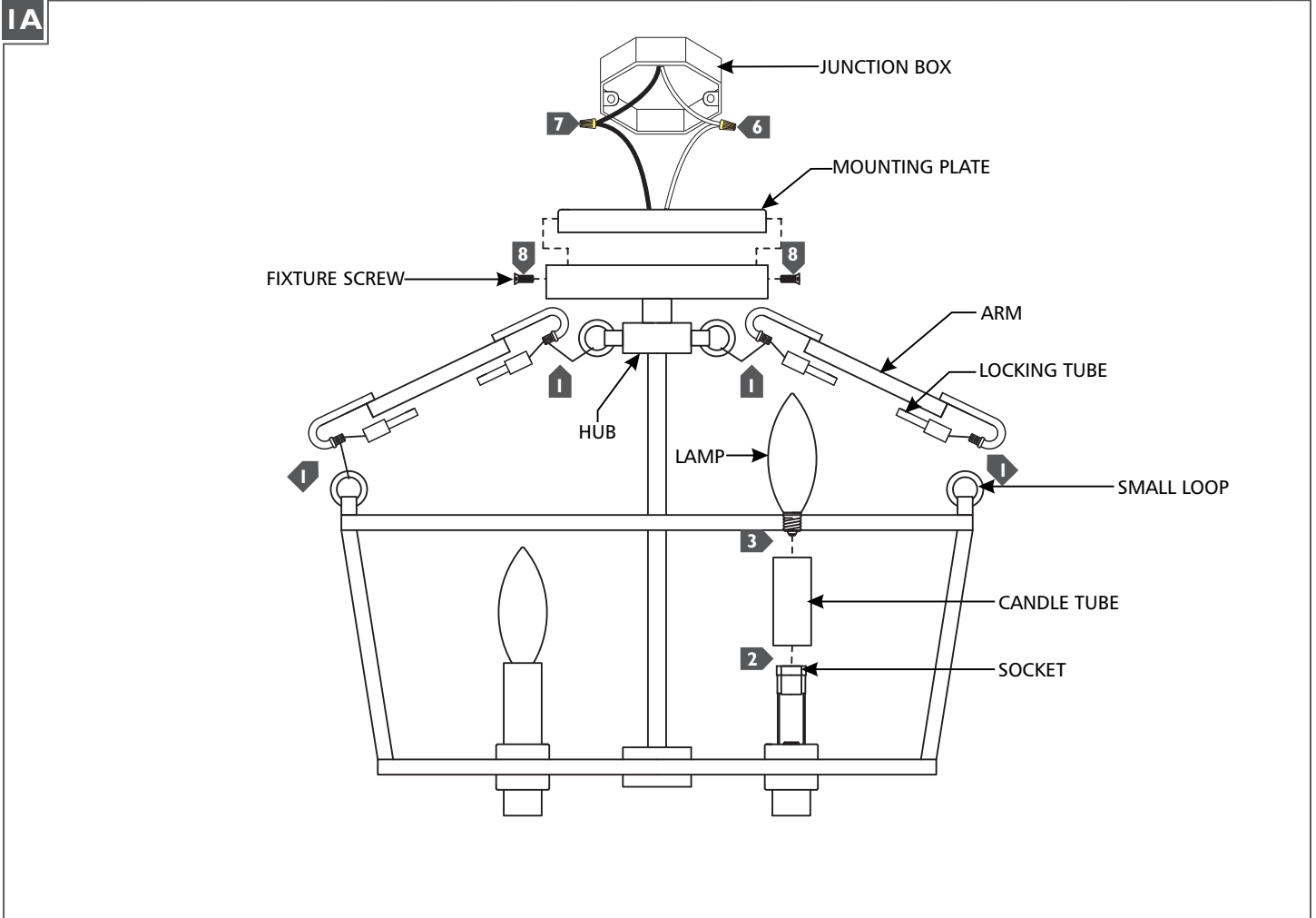
SAVE THESE INSTRUCTIONS!**CAUTION - RISK OF FIRE**

This product must be installed in accordance with the applicable installation code by a person familiar with the construction and operation of the product and the hazards involved.

Use minimum 90°C supply conductors.



Install the Fixture



- 1** Connect the arms to the small loops on the frame by hooking the arms onto the small loops and secure them in place with the locking tubes. Connect the other end of the arms to the small loops on the hub using the same method.
- 2** Install the candle tubes by sliding them over the sockets.
- 3** Screw the lamps into the sockets. Refer to the label on the lamp socket for Max Wattage Information.
- 4** Secure the mounting plate to the junction box.
- 5** Connect the fixture to a suitable ground in accordance with local electrical codes.
- 6** Connect the white fixture wire to the neutral power line wire with a wire nut.
- 7** Connect the black fixture wire to the hot power line wire with a wire nut.
- 8** Neatly tuck the wiring into the junction box, place the fixture base onto the mounting plate, and secure it in place using the fixture screws.