




Location:



S-3501-CYL-B-TRM, S3501CYLBTRMTC

Shower Trim

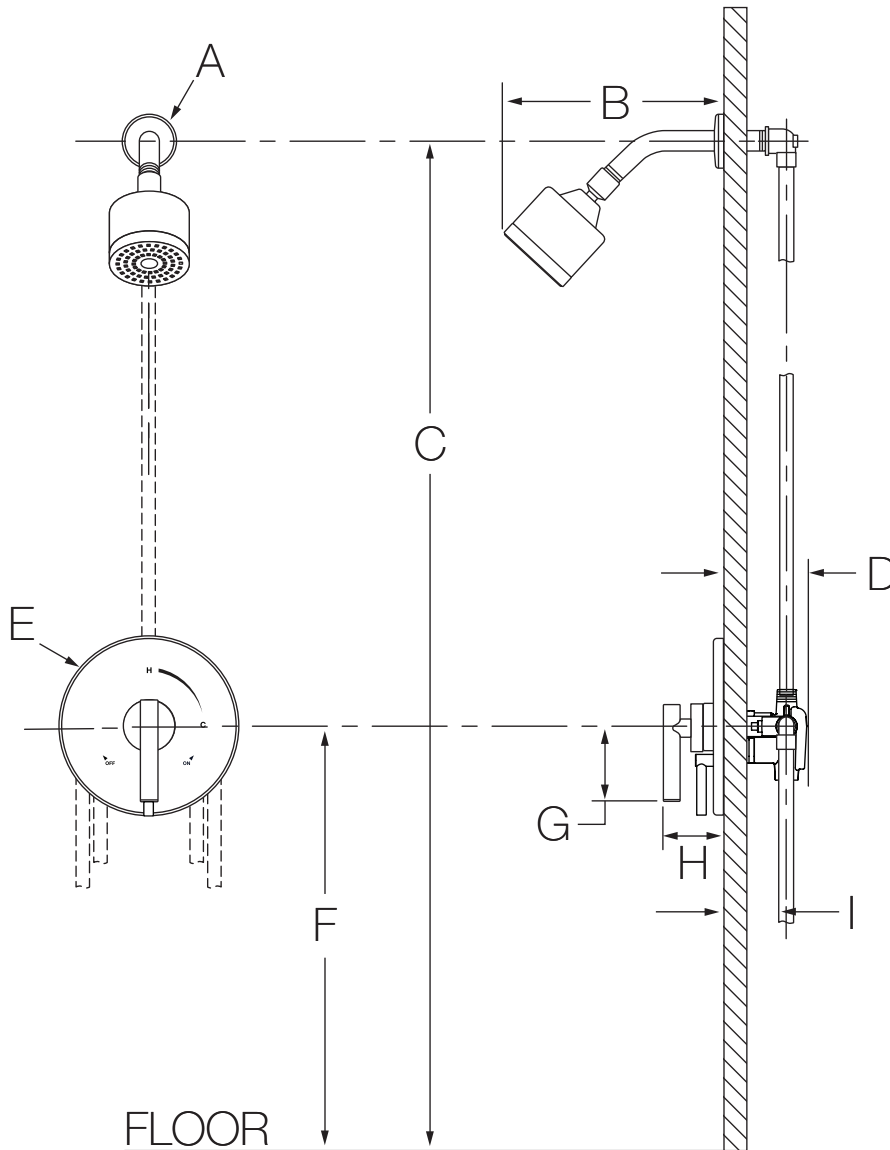
Specification Submittal

<p>Model Numbers</p> <p><input type="checkbox"/> S-3501-CYL-B-TRM Shower Trim with integral volume control, Temptrol Pressure Balancing Shower Valve ordered separately</p> <p><input type="checkbox"/> S3501CYLBTRMTC Shower Trim with integral volume control, TA-10 flow control spindle and T-12A cap assembly, must order Temptrol valve with Test Cap</p>	<p>Feature Highlights</p> <ul style="list-style-type: none"> • Dia Shower Trim • Requires Temptrol® Pressure Balancing Shower Valve • Integral volume control • Metal lever handle • 1 mode showerhead • 2.0 gpm (7.6 L/min) flow restrictor • Tub spout not included • Components shall be metal and nonmetallic construction, plated in standard Polished Chrome finish • Available with TA-10 flow control spindle and T-12A cap assembly for Temptrol valve bodies installed with Test Cap (order p/n S3501CYLBTRMTC)
<p>Options/ Modifications</p> <p><input type="checkbox"/> 1.5 1.5 gpm (5.7 L/min) flow restrictor</p> <p><input type="checkbox"/> 1.75 1.75 gpm (6.6 L/min) flow restrictor</p> <p><input type="checkbox"/> Delete Suffix B Chrome plastic escutcheon on valve with color graphic/indicators in place of standard brass escutcheon</p> <p><input type="checkbox"/> STN Satin Nickel finish</p> <p><input type="checkbox"/> MB Matte Black finish</p> <p><input type="checkbox"/> BBZ Brushed Bronze finish</p> <p>Note: Append appropriate -suffix to model number.</p>	<p>Warranty</p> <p>Limited Lifetime - to the original end purchaser in consumer/residential installations.</p> <p>10 Years - for commercial/industrial installations. Refer to www.symmons.com/warranty for complete warranty information.</p> 
<p>Compliance</p> <p>- ASME A112.18.1/CSA B125.1</p> <p>- WaterSense 1.5 gpm (5.7 L/min) 2.0 gpm (7.6 L/min)</p>  	

Architectural/ Engineering Specification

Symmons Dia Shower Trim _____ Includes Dia Shower Trim, Requires Temptrol® Pressure Balancing Shower Valve, Integral volume control, Metal lever handle, 1 mode showerhead, 2.0 gpm (7.6 L/min) flow restrictor, Tub spout not included, Components shall be metal and nonmetallic construction, plated in standard Polished Chrome finish, Available with TA-10 flow control spindle and T-12A cap assembly for Temptrol valve bodies installed with Test Cap (order p/n S3501CYLBTRMTC). 10 Year Commercial Warranty. ASME A112.18.1/CSA B125.1, WaterSense 1.5 gpm (5.7 L/min), 2.0 gpm (7.6 L/min) compliant. Available options: "1.5 - 1.5 gpm (5.7 L/min) flow restrictor", "1.75 - 1.75 gpm (6.6 L/min) flow restrictor", "Delete Suffix B - Chrome plastic escutcheon on valve with color graphic/indicators in place of standard brass escutcheon", "STN - Satin Nickel finish", "MB - Matte Black finish", "BBZ - Brushed Bronze finish".

Dimensions



Measurements	
A	Ø 2-1/2", 64 mm
B	6-3/4", 171 mm
C	Ref. 77", 1956 mm
D	3-1/2", 89 mm
E	Ø 7-1/2", 191 mm
F	Ref. 42", 1067 mm
G	3", 76 mm
H	2-7/8", 73 mm
I	Rough-in 2-3/8" ± 1/2", 60 mm ± 13 mm

Notes:

- 1) Valve body and piping not included and shown as reference only.
- 2) Plaster shield (p/n T-176) for dry wall, plaster or other type walls 1/2" or greater.
- 3) All dimensions measured from nominal rough-in (see I as reference).
- 4) Dimensions subject to change without notice.