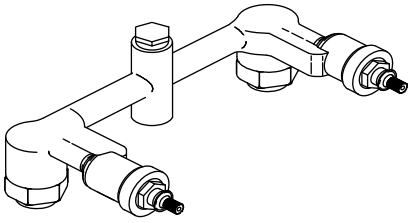


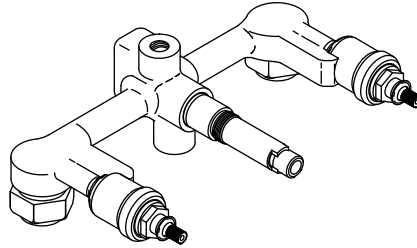
# Installation and Care Guide

## Two-Valve and Three-Valve Wall-Mount Bath/Shower Fitting

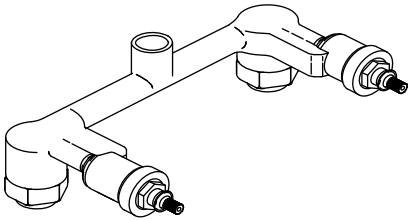
K-302



K-303



K-6934

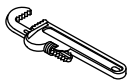


M product numbers are for Mexico (i.e. K-12345M)  
Los números de productos seguidos de  
M corresponden a México (Ej.  
K-12345M)  
Français, page "Français-1"  
Español, página "Español-1"

THE BOLD LOOK  
OF **KOHLER**®

1205552-2-A

## Tools and Materials



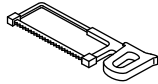
Pipe  
Wrench



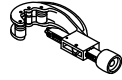
Adjustable  
Wrench



Strap  
Wrench



Hacksaw or Tubing Cutter



Propane  
Torch



Assorted  
Screwdrivers



Plumbers  
Putty



Thread  
Sealant



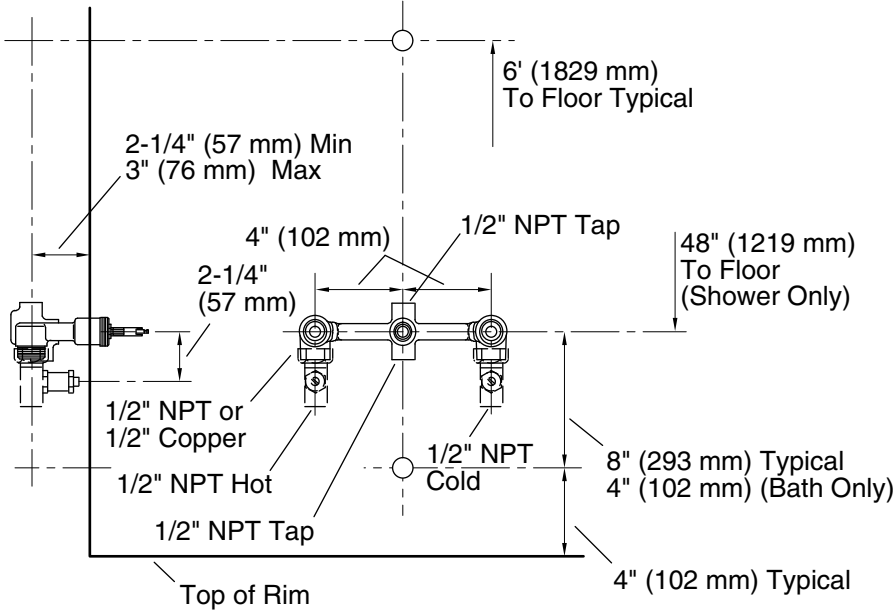
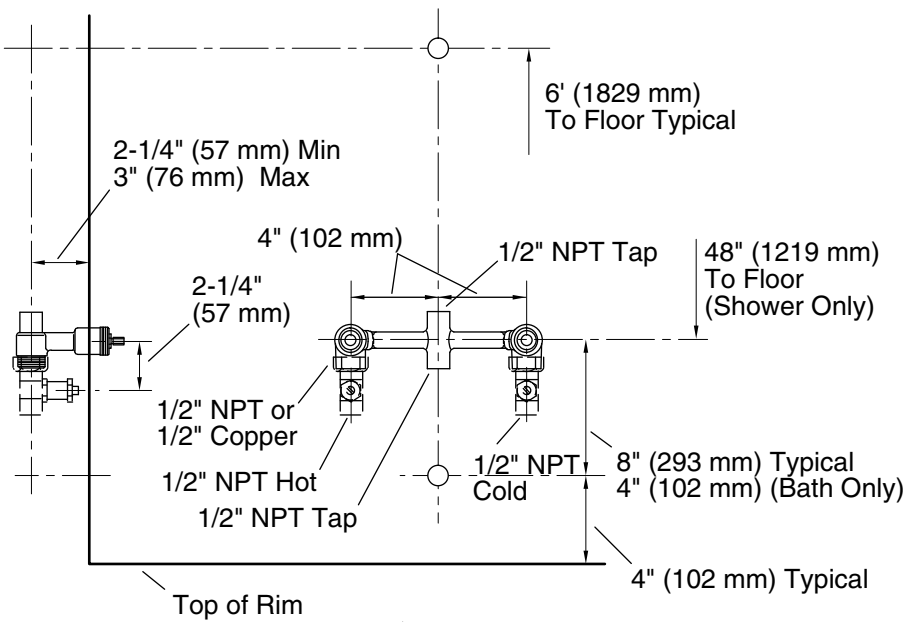
3/8" Hex  
Wrench



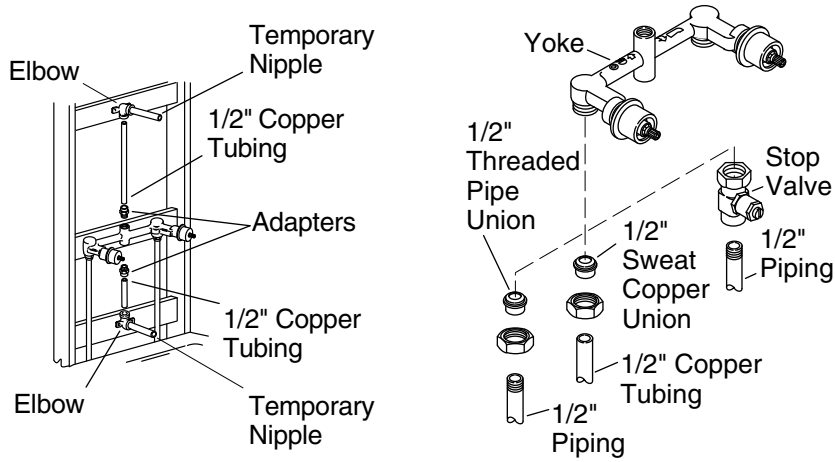
Solder

## Before You Begin

- Please read all instructions before you begin.
- Observe all local plumbing and building codes.
- Shut off the main water supply.
  
- Do not remove the plaster guards until instructed to.
- Before installation, unpack the components and inspect them for damage. Return the components to the carton until you are ready to install.



**Rough-In**



## 1. Bath and Shower Installation

**NOTE:** Typical dimensions for bath and shower installations are shown on the rough-in diagram.

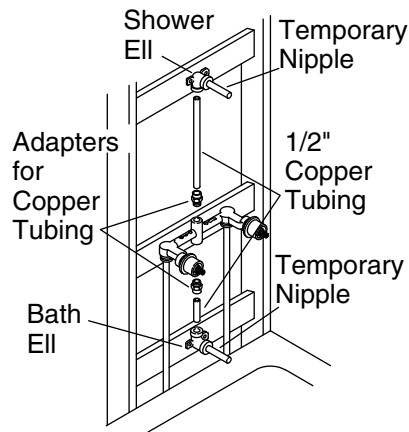
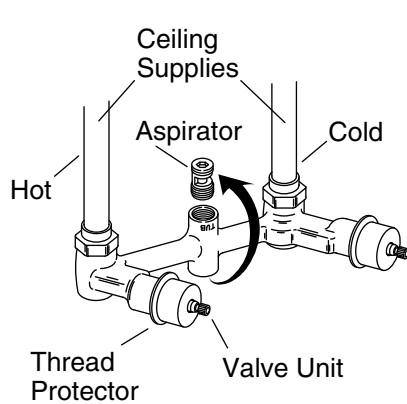
**NOTE:** Refer to the trim installations instructions for specific requirements.

**NOTE:** Refer to the handle installation instructions for possible rough-in depth requirements.

**NOTE:** The faucet fitting is factory assembled for hot and cold water.

- Unless otherwise instructed, rough-in the supply yoke 2-1/4" (57 mm) minimum to 3" (76 mm) maximum from the centerline of the yoke to the outside of the finished wall.
- Install 1/2" hot and cold supply tubing.
- If specified, install the screwdriver stop valves.

**NOTE:** The three-valve yokes have no embossed graphics for the showerhead and spout locations.



## 2. Complete the Bath and Shower Installation

### For Ceiling Installations

**NOTE:** Do not use a three-valve yoke with ceiling supplies.

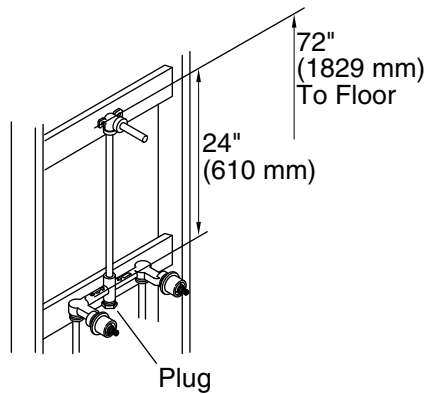
- Turn the yoke over to allow the supplies to connect from the top of the yoke.
- Remove the aspirator with a 3/8" hex wrench and reinstall it in the top of the yoke. Do not overtighten.

**NOTE:** Reversing the yoke for ceiling supplies will reverse the direction in which the lever handles close.

- For proper lever handle operation, open the valves and remove and reverse the ceramic valves.
- Make sure the valves are not dirty or damaged.
- Wrench tighten the valves.

### For All Installations

- Install copper tubing and adapters between the yoke and shower ell.
- Install copper tubing and adapters between the yoke and bath ell.
- Secure the tubing to the framing.
- Install temporary 1/2" nipples into the shower and bath ell's.



### 3. Shower Only Installations

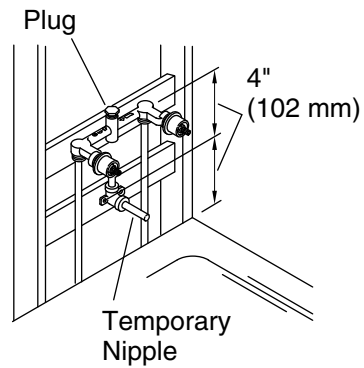
**NOTE:** Shower only installations require two-valve yokes.

**NOTE:** Typical dimensions for bath and shower installations are shown on the rough-in diagram.

**NOTE:** Refer to the trim installation instructions for specific requirements.

**NOTE:** Refer to the handle installation instructions for possible rough-in depth requirements.

- Unless otherwise instructed, rough-in the supply yoke 2-1/4" (57 mm) minimum to 3" (76 mm) maximum from the centerline of the yoke to the outside of the finished wall.
- Install 1/2" hot and cold supply tubing.
- If specified, install the screwdriver stop valves.
- Using a 3/8" hex wrench, remove the aspirator from the yoke and discard.
- Install a plug in the spout pipe opening.



#### 4. Bath Only Installations

**NOTE:** Bath only installations require two-valve yokes.

**NOTE:** Typical dimensions for bath and shower installations are shown on the rough-in diagram.

**NOTE:** Refer to the trim installation instructions for specific requirements.

- Unless otherwise instructed, rough-in the supply yoke 2-1/4" (57 mm) minimum to 3" (76 mm) maximum from the centerline of the yoke to the outside of the finished wall.
- Install 1/2" hot and cold supply tubing.
- If specified, install the screwdriver stop valves.

**NOTE:** Three-valve yokes have no embossed graphics for the showerhead and spout locations.

- Using a 3/8" hex wrench, remove the aspirator from the yoke and discard.
- Install a plug in the showerhead pipe opening.

#### Warranty

##### **KOHLER® Faucet Lifetime Limited Warranty**

Kohler Co. warrants its Faucets\* manufactured after January 1, 1997, to be leak and drip free during normal residential use for as long as the original consumer purchaser owns his or her home. If the Faucet