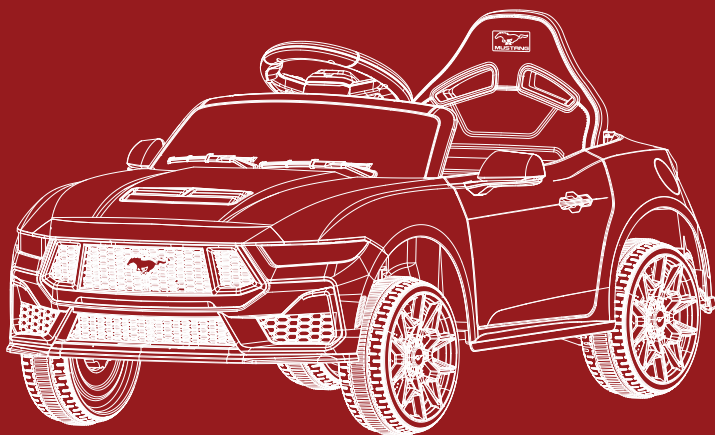




BEST CHOICE
PRODUCTS



INSTRUCTION MANUAL

12V Ford Mustang Ride On

SKY8078 + SKY8079 + SKY8080 + SKY8081 + SKY8082
SKY8083 + SKY8084



**BEST CHOICE
PRODUCTS**

As shoppers, we're always trying to find the perfect balance between quality & value. At BCP, we believe we've achieved that. Our diverse catalog of everyday essentials is tailored especially to our customers & guaranteed to hit that sweet spot of high quality & low price.

— Always. —



Charge for **12 hrs**
before initial use.

After initial charge,
follow the normal
recommended
charging time.



SAFETY

Please retain these instructions for future reference.

This vehicle must be assembled by an adult who has read and understood the instructions in this manual. Keep the packaging and bags away from children and dispose of all packaging before use. Always use common sense and safe practices when operating this vehicle. This product contains or emits chemicals known in the state of California to cause cancer or birth defects or other reproductive harm.

NOTE: For best performance, only use this vehicle on flat and hard surfaces.

AGE RANGE: 3 to 6 years old

WEIGHT CAPACITY: 66 lbs.

The following safety hazards may result in serious injury or death:

- This product contains small parts. Keep children away during assembly. Make sure to remove all packaging material and parts from underneath the vehicle body.
- Never open the battery. Batteries contain lead and lead compounds (acids) that are toxic and corrosive, and known to the state of California to cause cancer and reproductive harm.
- Limbs, hair, and clothing can get caught in moving parts. Always wear shoes, keep limbs away from moving parts, and do not wear loose clothing while operating this vehicle.
- This vehicle does not have brakes or braking capability. Do not leave a child unattended during operation. Do not use this in a location that may require braking capability, as this could result in loss of control, which may cause serious injury or death.
- Use of this vehicle near streets, motor vehicles, steps, bodies of water, sloped surfaces, hills, wet areas, flammable vapors, in alleys, at night, or in the dark could result in an unexpected accident.
- Use of this vehicle in unsafe conditions such as snow, rain, loose dirt, mud, sand, or gravel may result in an unexpected accident such as tipping over, and could damage the electrical system or battery.
- Do not operate this vehicle in an unsafe manner. Examples include but are not limited to:
 - Pulling the vehicle with another vehicle or similar device
 - Allowing more than one rider
 - Allowing children or pets to ride in the trailer section
 - Pushing the user
 - Traveling at an unsafe speed
- This product is intended for residential use only.

BATTERY WARNINGS

The following safety hazards may result in serious injury or death:

- Use of a battery or charger other than the supplied rechargeable battery and charger may cause a fire or explosion. Only use the supplied battery and charger. Never use the supplied rechargeable battery and charger with another product.
- Damage to the battery may occur if it is allowed to drain completely. **Do not allow the battery to drain completely.**
- Explosive gases are created during charging. Charge the battery in a well-ventilated area. Do not charge the battery near heat or flammable materials.
- Contact between the positive and negative terminals may result in fire or explosion. Avoid direct contact between the terminals. Picking up the battery by the wires or charger can cause damage to the battery and may result in a fire. Always pick up the battery by its case or handles.
- Liquids on the battery may cause fire or electric shock. Always keep all liquids away from the battery and keep the battery dry. Contact or exposure to battery leakage (lead acid) may cause serious injury. If contact or exposure occurs immediately call your physician. If the chemical is on the skin or in the eyes, flush with cool water for 15 minutes. If the chemical was swallowed, immediately give the person water or milk. Do not give water or milk if the patient is vomiting or has a decreased level of alertness. Do not induce vomiting.
- Battery posts, terminals, and related accessories contain lead and lead compounds (acid) – chemicals known to the State of California to cause cancer, reproductive harm, and are toxic and corrosive. Never open the battery.
- Tampering or modifying the electric circuit system may cause a shock, fire or explosion and permanently damage the system. Exposed wiring and circuitry in the charger may cause electric shock. Always keep the charger housing closed.

WARNING

To reduce the risk of injury, adult supervision is required. Never use on roadways, near motor vehicles, on or near steep inclines or steps, swimming pools or other bodies of water; always wear shoes, and never allow more than one rider.

- Never leave a child unattended.
- Do not allow children or pets to ride in the trailer section.
- Always sit in the seat when using this vehicle.
- Keep your hands, hair, and clothes away from moving parts.
- Children under 3 years of age cannot use the vehicle.
- Only drive on level ground.
- Do not drive the vehicle into loose dirt, mud, sand, fine gravel, or on wet surfaces.

SPECIFICATIONS

Dimensions	41.3" x 24.3" x 19"
Weight	27.5 lbs.
Weight Capacity	66 lbs.
Age Range	3 - 6 years old
Max Speed	High - 3.1 mph, Low - 1.5 mph
Initial Charge Time	12 hours
Charging Time	8 - 12 hours
Run Time	1 - 2 hours
Battery Type	12V 4.5AH
Suspension Type	4-Wheel
Remote Control	2.4GHz
Electric Motor	#390 x2 (25W)
Charger Input	Input: 120V AC
Charger Output	Output: DC 12V/500MA
Audio	AUX input/Bluetooth/USB/Radio
Material	Polypropylene and Metal

⚠ WARNING
ADULT ASSEMBLY REQUIRED

⚠ WARNING
CHOKING HAZARD - Small parts.
Not for children under 3 years old.

TOOLS REQUIRED

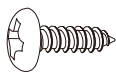


66 LBS
CAPACITY



HARDWARE

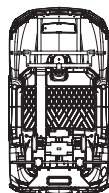
1 SELF TAPPING
SCREW



2 PCS

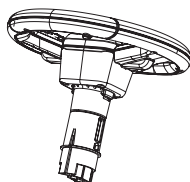
PARTS

A RIDE-ON BODY



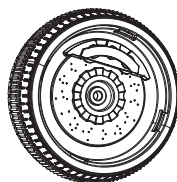
1 PC

B STEERING WHEEL



1 PC

C WHEEL



4 PCS

D WHEEL COVER



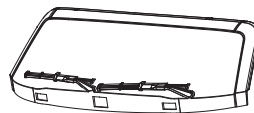
4 PCS

E BACKREST



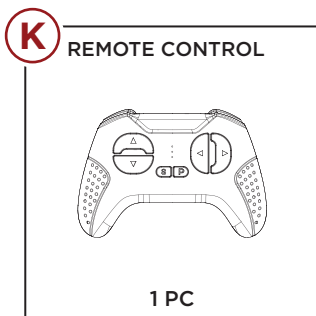
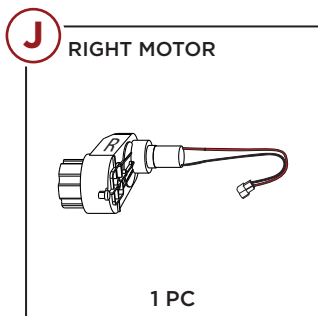
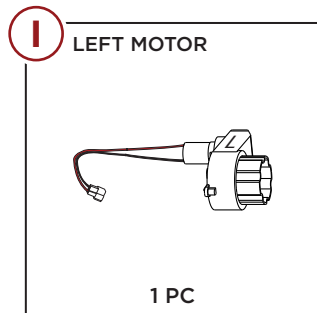
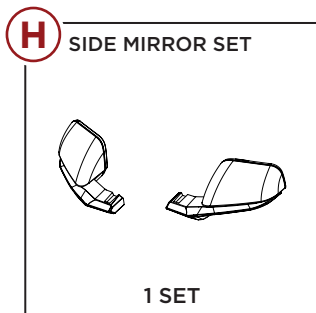
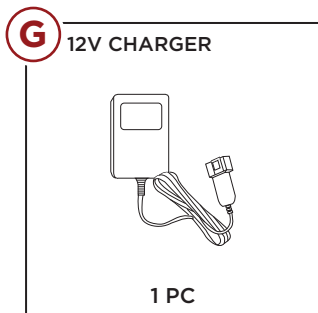
1 PC

F WIND SHIELD



1 PC

PARTS

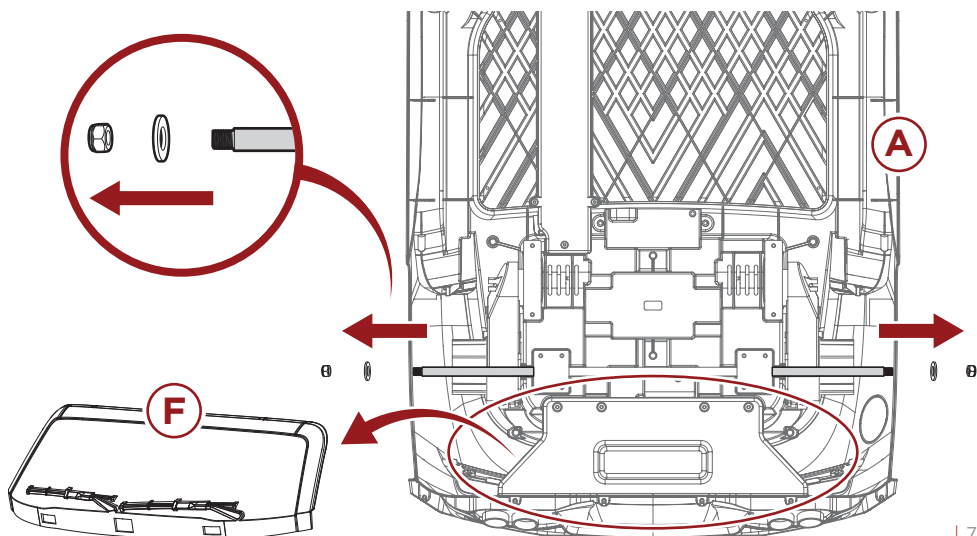


PRODUCT ASSEMBLY

1

Locate and remove the **part F wind shield** (if necessary).

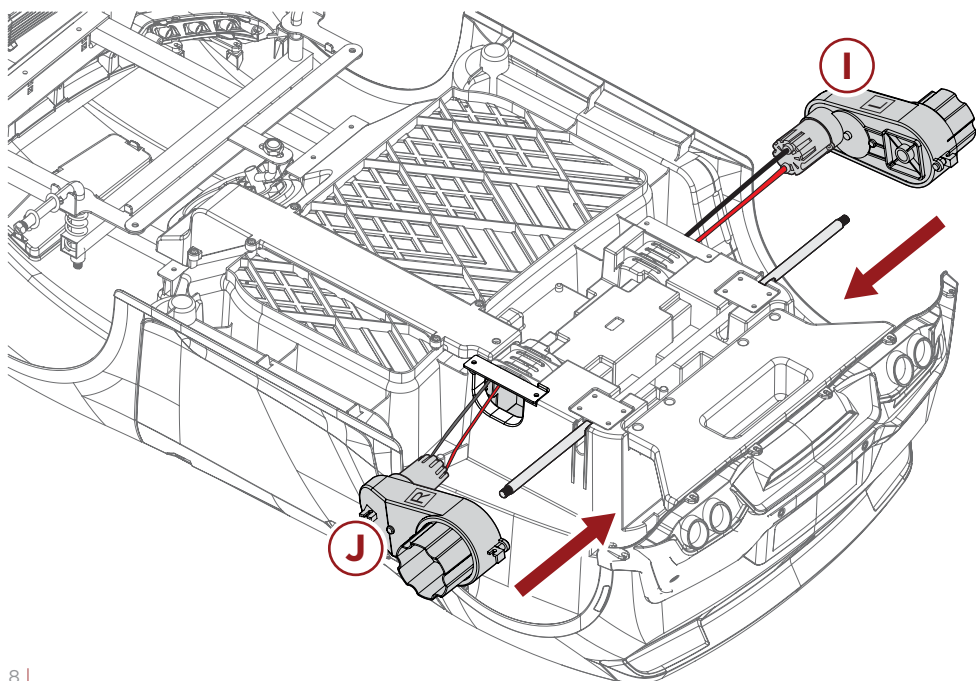
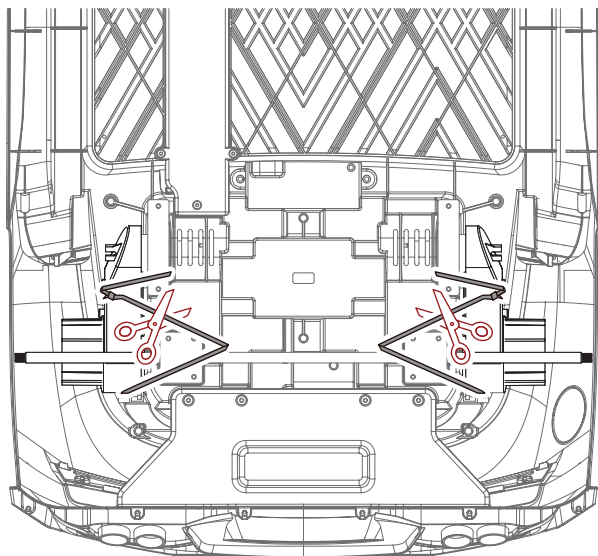
Place the **part A ride-on body top** side down on a flat, covered surface to prevent scratches, then remove the preassembled nuts and washers from the rear axle and set aside.



PRODUCT ASSEMBLY

2

Remove the zip ties securing the **part I and J left/right motors**, then install them into their designated spaces on the rear axle and **part A ride-on body**.

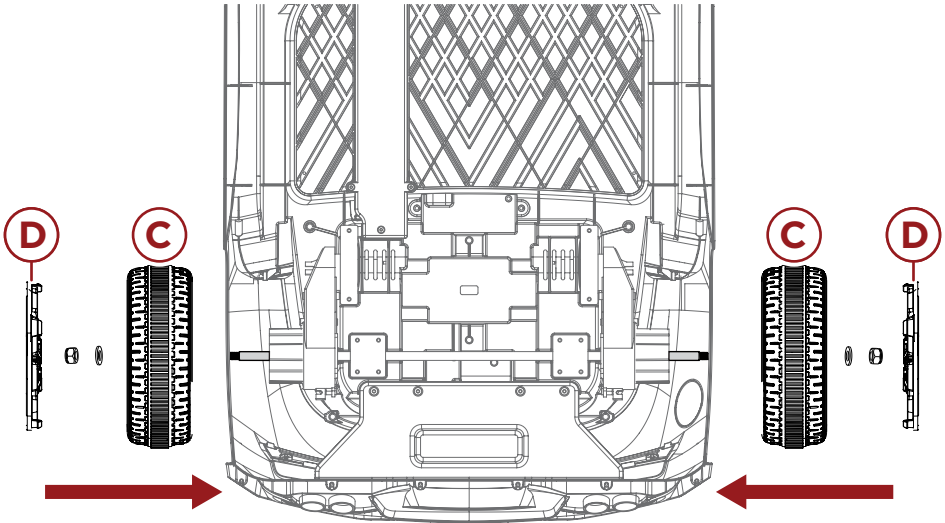


PRODUCT ASSEMBLY

3

Attach two **part C wheels** to the rear axle, then secure with the previously removed hardware. Cover each wheel with one **part D wheel cover**.

NOTE: When attaching the wheels, use the included plastic wrenches to tighten both nuts at the same time.

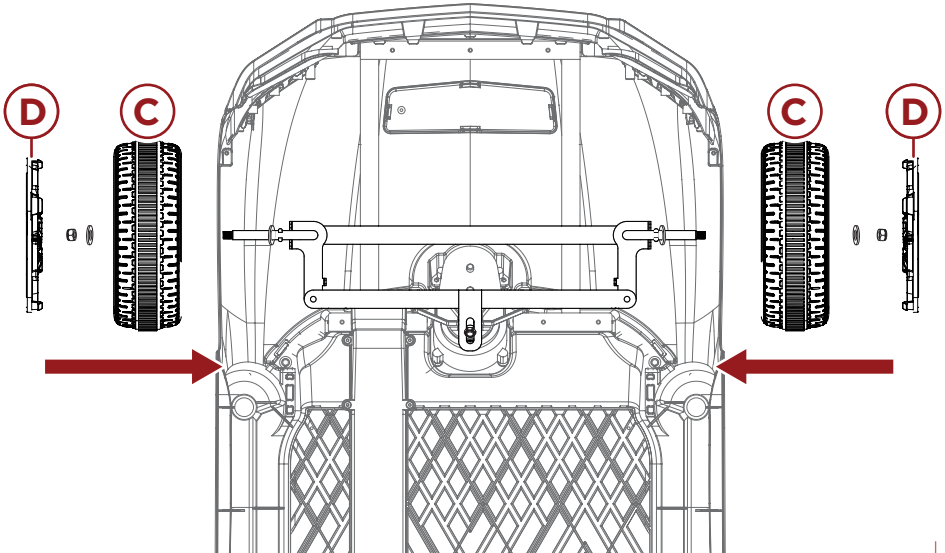


4

Remove the preassembled nuts and washers from the front axle, then set aside.

Attach two **part C wheels** to the front axle, then secure with the previously removed hardware. Cover each wheel with one **part D wheel cover**.

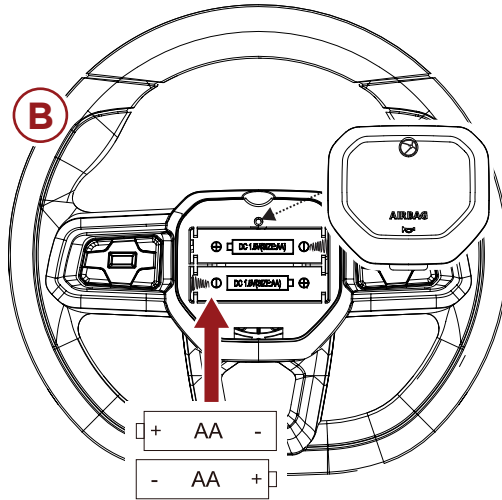
NOTE: When attaching the wheels, use the included plastic wrenches to tighten both nuts at the same time.



PRODUCT ASSEMBLY

5

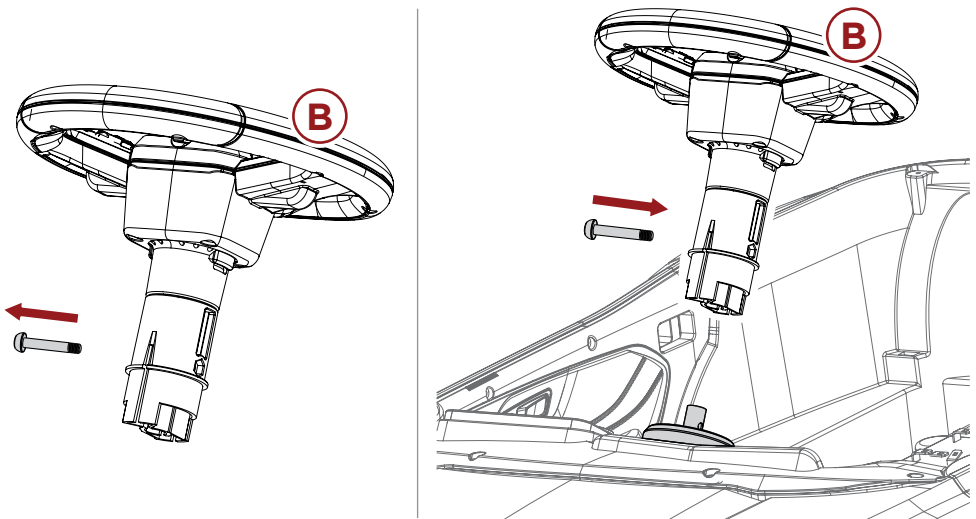
Locate the **part B steering wheel** then use a Philips screwdriver to open the battery access on the **part B steering wheel**. Install two AA batteries. Replace the battery cover and secure the screw.



6

Remove the bolt on the side of the **part B steering wheel's** shaft.

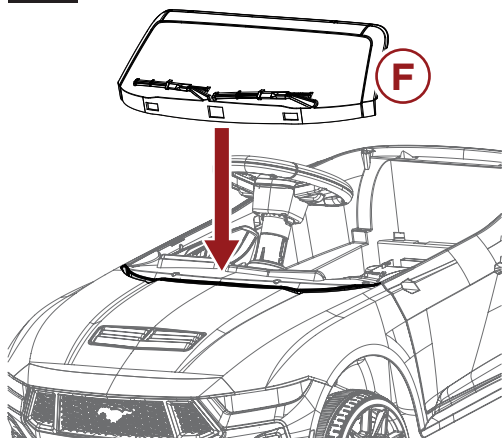
Place the **part B steering wheel** over the steering yoke, then replace the bolt to secure.



PRODUCT ASSEMBLY

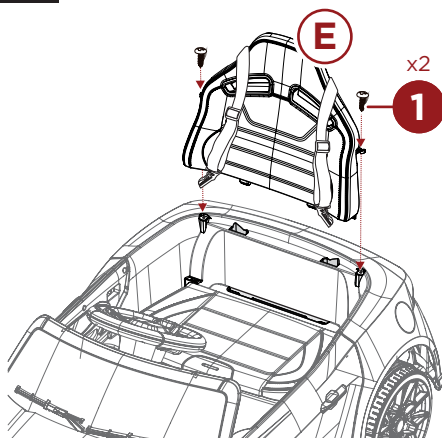
7

Install the **part F** wind shield to the front of the **part A** ride-on body, push until secured.



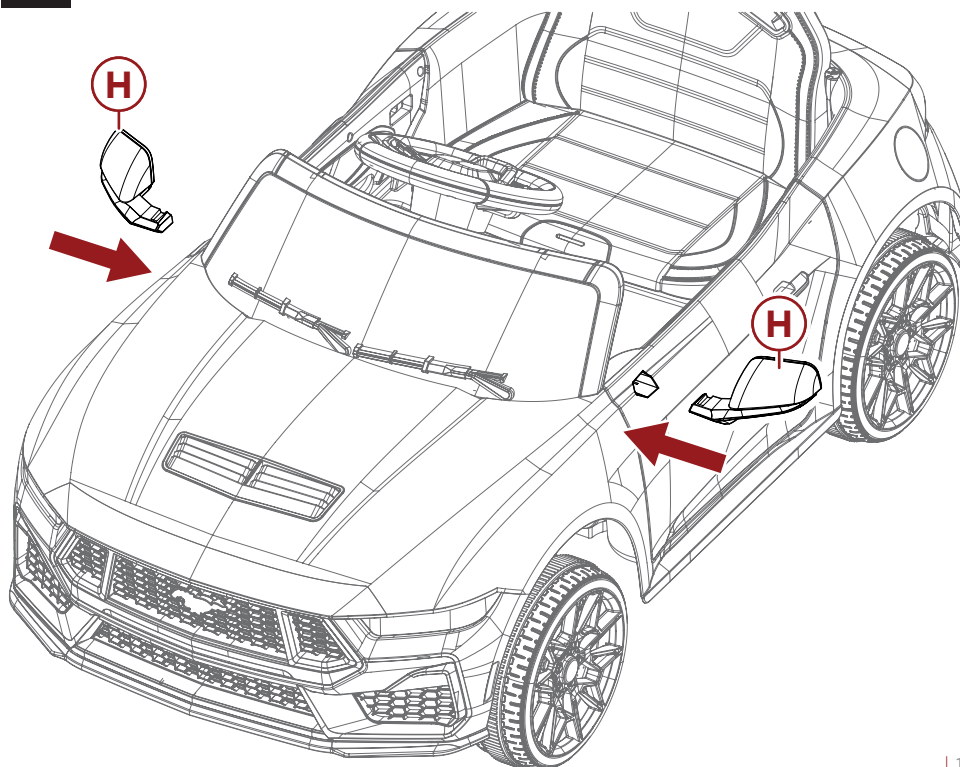
8

Attach the **part E** backrest to the **part A** ride-on body, then secure with two **part 1** screws.



8

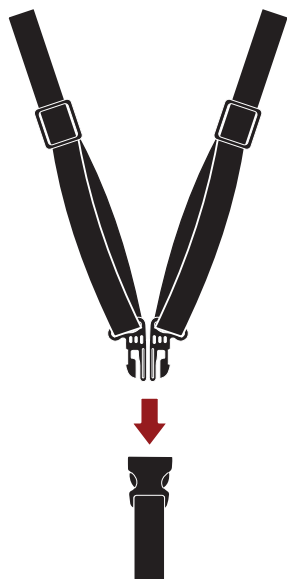
Attach the **part H** side mirrors to the **part A** ride-on body.



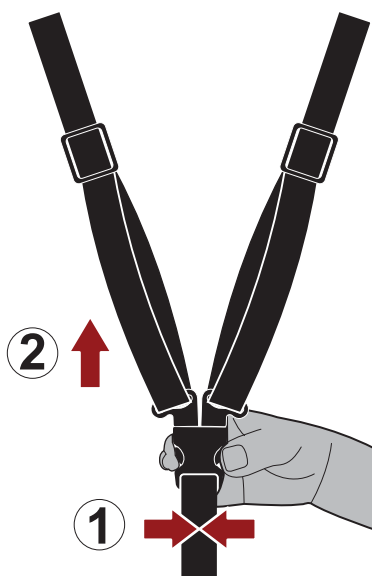
FASTENING THE SEAT BELT

NOTE: Ensure that seat belts fit comfortably and snugly over the child's shoulder and across their chest.

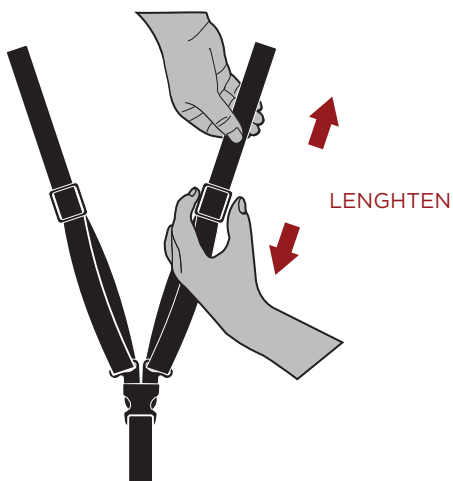
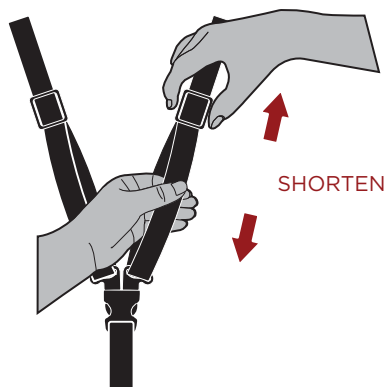
Fasten seat belt:



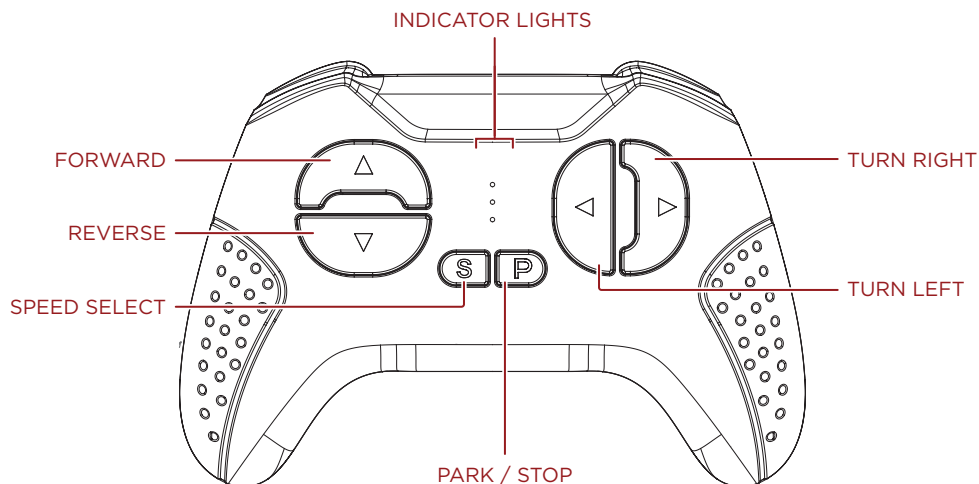
Unfasten seat belt:



Adjust seat belt:



REMOTE CONTROL

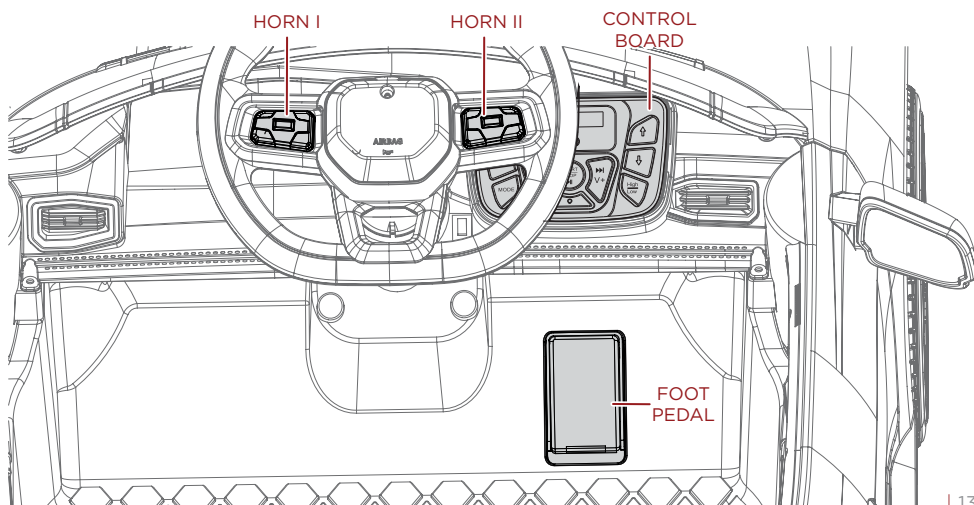


- Remote control operation will **OVERRIDE** manual operation; the pedal will not work when operating the remote control.
- After a period of non-operation, the remote will go into power-saving mode.

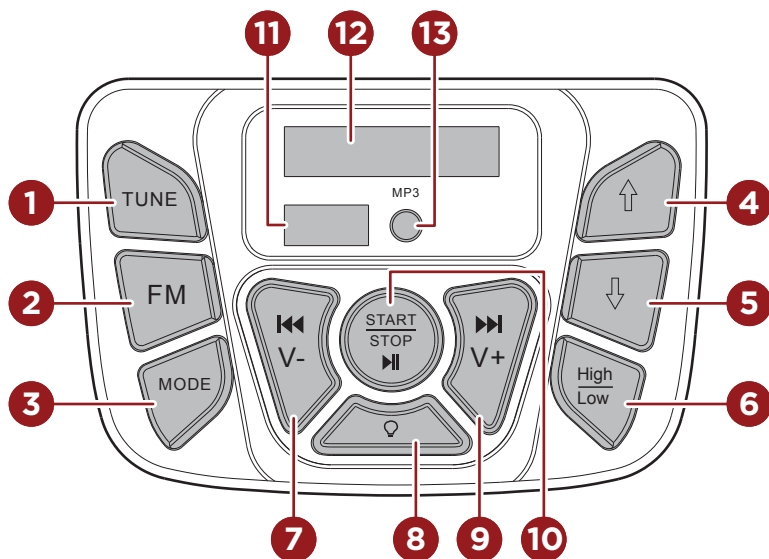
Linking the remote control:

1. Turn the vehicle off.
2. Install 2 AAA batteries into the remote control and the indicator lights will flash.
3. Turn the vehicle on. The indicator lights will turn solid indicating a successful link.
4. If the indicator lights continue to flash (indicating an unsuccessful link), remove and reinsert batteries and repeat steps 1 to 3.

DASHBOARD DIAGRAM



CONTROL BOARD DIAGRAM

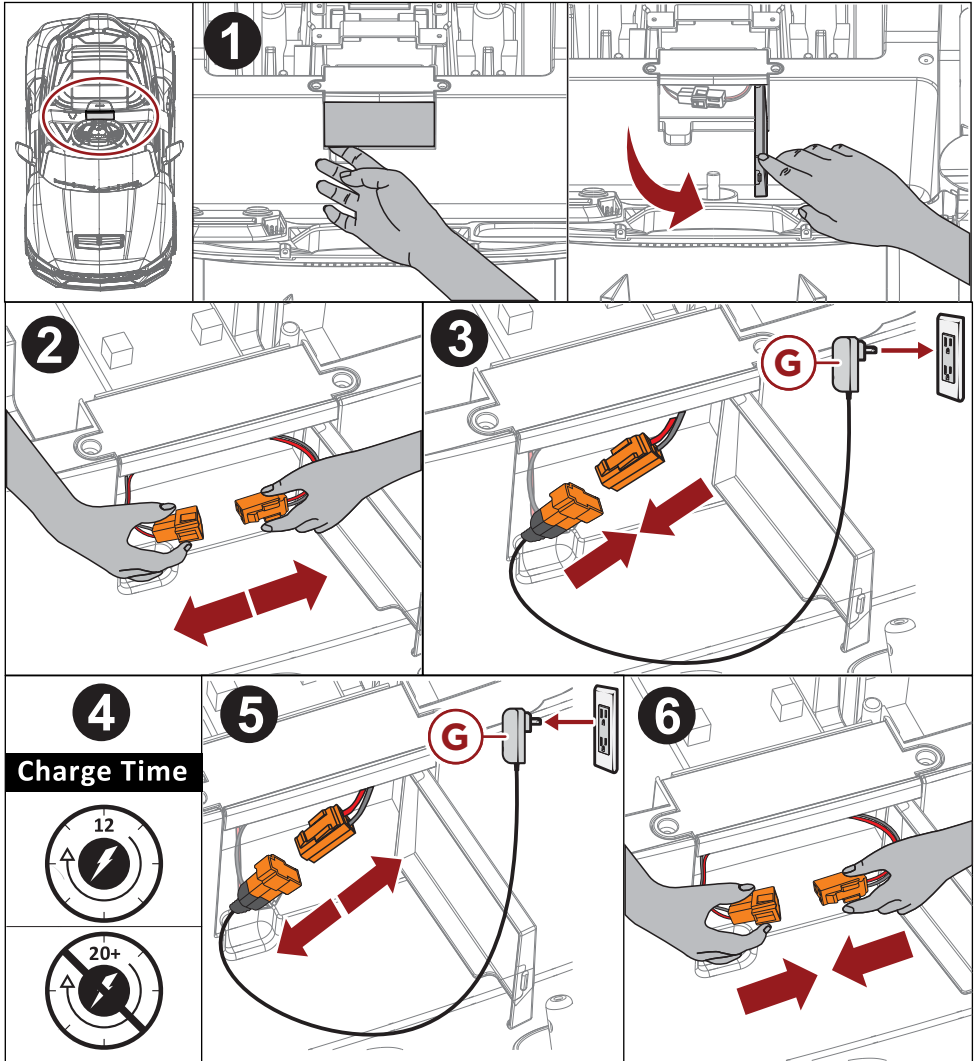


- 1. Tune:** FM radio search, press to find FM radio channels.
- 2. FM:** Press to enter FM Radio Mode.
- 3. Mode:** Press to toggle between start sound, the media player, Bluetooth, and the aux input.
- 4. Forward:** Press to make the car move forward when the foot pedal is pressed.
- 5. Reverse:** Press to make the car move backward when the foot pedal is pressed.
- 6. High/Low Speed:** Press to alternate between preset “Low” and “High” speeds.
- 7. Previous/Volume Down:** Short press to play the previous selection/channel. Long press to lower the speaker volume.
- 8. Light Switch:** Press to power on lights. Press again to power off lights.
- 9. Next/Volume Up:** Short press to skip to the next selection/channel. Long press to raise the speaker volume.
- 10. START/STOP:** Long press to turn the vehicle power on or off. Short press when the music or radio is on to turn them off; short press again to restart the music or radio.
- 11. Media Player Port:** Insert flash drive or additional media device to play music. Supports only MP3 music files.
- 12. Voltage display Screen:** Displays battery status to indicate charging requirements.
- 13. AUX Connector:** Connect with other removable device to play supported audio files.

BLUETOOTH

- Place your desired audio device near the media player and power the car on.
- Press **MODE** on the media player and wait until you hear *“Bluetooth device is ready to pair.”*
- On your desired audio device, locate the Bluetooth settings and select the device named *“Best Choice Products Ride On.”*
- When the device states *“Your Bluetooth device is connected successfully,”* then select the desired song.

CHARGING INSTRUCTIONS



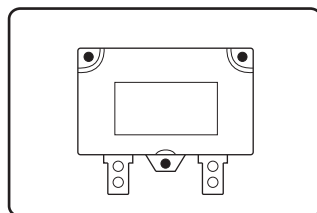
1. Locate the charging connector under the seat.
2. Disconnect the power supply from the control terminal.
3. Connect the **part G charger** to the power supply, then plug the other end into a wall outlet.
4. Charge the battery 12 hours before initial use (Do not charge for a period exceeding 20 hours).
5. When fully charged, unplug **part G charger** from the wall outlet, then remove the charger from the charging port.
6. Reconnect the power supply to the control terminal, then close the cover.

CHARGING NOTICE

- On average, you will need to charge the battery between 8 and 12 hours. Do not charge the battery for more than 20 hours. Failure to charge the battery as directed could cause permanent damage to the battery and void the warranty.
- Damage to the battery may occur if it is allowed to drain completely. **Do not allow the battery to drain completely.**
- Check the battery and charger (supply cord, connector) for wear and damage before charging. Do not charge the battery if damage has occurred.
- Only an adult who has read and understood the safety warnings should handle, charge and recharge the battery.

RESETTING FUSE

This product contains an automatic, resetting fuse. If the current exceeds a certain rating, the recoverable fuse will automatically shut down to prevent damage. This shutdown period will last between 5 and 60 seconds before power is restored. Please allow at least this much time before seeking technical support.



WARNING

RISK OF FIRE: Do not bypass fuse. This may overload and damage the electrical system. Replace only with original size and type.

WARNINGS REGARDING BATTERIES

- Do not mix alkaline, standard (carbon zinc) and rechargeable (nickel hydride) batteries.
- Do not mix old and new batteries.
- Non-rechargeable batteries should not be charged.
- Rechargeable batteries should be charged under adult supervision only.
- Exhausted batteries should be removed.
- The supply terminals should not be short-circuited.
- Do not put batteries next to or in a heat source (fire, electronic heating device, etc.).
- Do not hit batteries against hard objects.
- Do not submerge batteries in water.
- Batteries should be inserted with the correct polarity.


CARING FOR YOUR RIDE-ON

- Park the vehicle indoors or cover it with a tarp to protect it from wet weather.
- Do not leave the vehicle in the sun for long periods of time or fading may occur. Store in shade or cover with tarp.
- Do not wash the vehicle with a hose.
- Do not wash the vehicle with soap.
- Charge battery at least once a month to prolong the life of the battery.

TROUBLESHOOTING

PROBLEM	REASON	SOLUTION
Vehicle does not move	Low battery	Fully charge the battery
	Electrical protection	Stop use for several minutes and restart
	Switch not in the correct position	Completely press in switches
	Battery connectors disconnected	Plug in battery connectors
Battery does not recharge	Battery connectors disconnected	Plug in battery connectors
	Charger not connected to socket or outlet	Completely plug in the charger
Battery does not last	Battery does not have a full charge	Fully charge the battery
Battery is warm and makes a slight noise while charging	Normal	Normal
Slow speed	Low battery	Fully charge the battery
	Overloaded vehicle	Reduce the weight on the vehicle
	Uneven or sloped road	Drive on flat pavement
Vehicles shakes while driving	Loose connection to motor	Ensure the motor is properly connected to the battery
Difficulty shifting between forward/reverse	Attempting to shift while vehicle in motion	Only shift when the vehicle is at a stop
Vehicle is silent	Steering wheel is not properly connected	Properly connect the steering wheel connector

CALIFORNIA PROPOSITION 65

 **WARNING:** Battery posts, terminals, and related accessories can expose you to chemicals including lead and lead compounds, which are known to the State of California to cause cancer and birth defects or other reproductive harm, and are toxic and corrosive. Wash hands after handling. For more information go to www.P65Warnings.ca.gov

FCC COMPLIANCE STATEMENT

This device complies with part 15 of the FCC rules. Operation is subject to the following two conditions: (1) This product may not cause harmful interference, and (2) this device must accept any interference received, including interference that may cause undesired operation.

NOTE: This equipment has been tested and found to comply with the limits for a Class B digital device, pursuant to part 15 of the FCC Rules. These limits are designed to provide reasonable protection against harmful interference in a residential installation.

This equipment generates, uses, and can radiate radio frequency energy and, if not installed and used in accordance with the instructions, may cause harmful interference to radio communications. However, there is no guarantee that interference will not occur in a particular installation.

If this equipment does cause harmful interference to radio or television reception, which can be determined by turning the equipment off and on, the user is encouraged to try to correct the interference by one or more of the following measures:

- Reorient or relocate the receiving antenna.
- Increase the separation between the equipment and receiver.
- Connect the equipment to an outlet on a circuit different from that to which the receiver is connected.
- Consult the dealer or an experienced radio/TV technician for help.

WARNING: Any changes or modifications to this unit not expressly approved by the party responsible for compliance could void the user's authority to operate the equipment.

Responsible party (contact for FCC matters only):

Quality Control Dept.

15101 Red Hill Ave.

Tustin, CA 92780

Earn points while you shop. Join today!

bestchoiceproducts
rewards

Join | Earn | Redeem

Give your friends 15% off their first order! For each successful referral you'll receive 100 points.

bestchoiceproducts.com



HELP CENTER



Question about your product? We're here to help. Visit us at:

help.bestchoiceproducts.com



Chat Support



Product Inquiry



Orders FAQ



Product Assembly



Returns & Refunds

PRODUCT WARRANTY INFORMATION

All items can be returned for any reason within 60 days of the receipt and will receive a full refund as long as the item is returned in its original product packaging and all accessories from its original shipment are included. All returned items will receive a full refund back to the original payment method. All returned items will not be charged a re-stocking fee.

All returned items require an RA (Return Authorization) number, which can only be provided by a Best Choice Products Customer Service Representative when the return request is submitted. Items received without an RA may not be accepted or may increase your return processing time. Once an item has been received by Best Choice Products, refunds or replacements will be processed within 5 business days.

All returns must be shipped back to the Best Choice Products Return Center at the customer's expense. If the reason for return is a result of an error by Best Choice Products then Best Choice Products will provide a pre-paid shipping label via email. Boxes for return shipping will not be provided by Best Choice Products, and is the customer's responsibility to either use the original shipping boxes or purchase new boxes.

Pictures may be required for some returns to ensure an item is not damaged prior to its return. Items returned are not considered undamaged until they are received by Best Choice Products and verified as such. All damages to items are the customer's responsibility until the item has been received by and acknowledged by Best Choice Products as undamaged.

© Best Choice Products, Inc. All rights reserved. Distributed by Best Choice Products, Inc. Tustin, CA 92780

WARNING

Manufacturer and seller expressly disclaim any and all liability for personal injury, property damage or loss, whether direct, indirect, or incidental, resulting from the incorrect attachment, improper use, inadequate maintenance, unapproved modification, or neglect of this product.