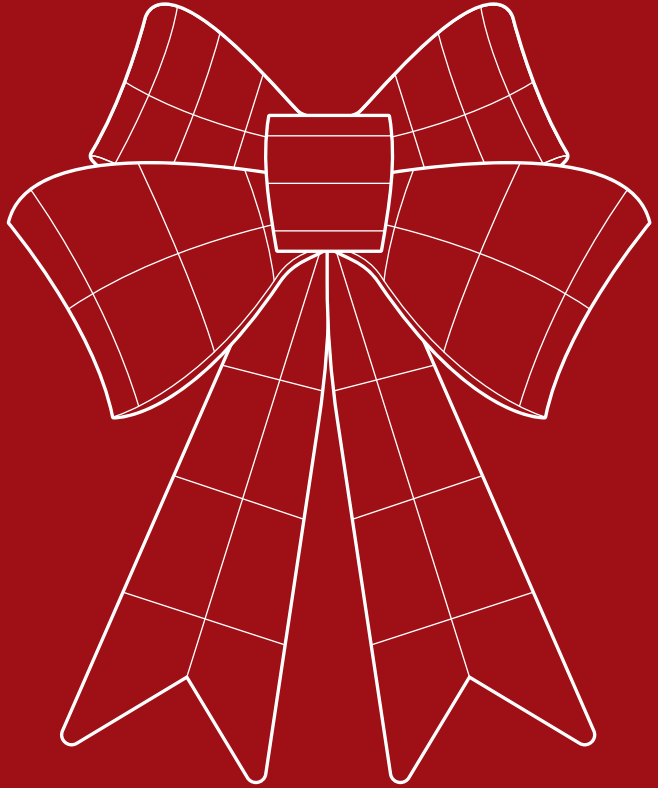




BEST CHOICE
PRODUCTS



INSTRUCTION MANUAL

Outdoor Lighted Bow
Christmas Decoration



Begin assembly only after all packaging has been removed and the product has been checked for damage.

Assemble this product outside to avoid unintended property damage and cleanup.

bestchoiceproducts.com

! NOTICE

Please retain these instructions for future reference.

- This product is intended for outdoor use and should be assembled outdoors only.
- This item is not intended for permanent installation or use.
- Unplug item when not in use or if left unattended.
- Ensure that your voltage is consistent with specifications.
- If any parts are missing, broken, damaged, or worn, stop using this product until repairs are made and/or factory replacement parts are installed.
- Do not use this item in a way inconsistent with the manufacturer's instructions as this could void the product warranty.
- This product is intended for residential use only.

! WARNING

- Do not plug into a wall outlet until item is fully assembled and lights are properly connected.
- Do not use in extreme weather conditions.
- This product contains glitter, do not assemble indoors to avoid unintended property damage and cleanup.
- Do not allow glitter to contact your eyes or face as this may result in skin irritation or injury.
- Keep item away from all heat sources (fireplace, stove, heater, etc.).
- Do not secure wiring with staples, nails, or sharp hooks.
- Do not hang ornaments or other objects from the cord.
- Unplug item before removing or changing bulbs.



This product requires additional mounting and hanging hardware.
Not included within this assembly.



2 PERSON
ASSEMBLY



UP TO 30 MIN.
ASSEMBLY

HARDWARE

1 COTTER PIN



6 PCS

2 ZIP TIE



6 PCS

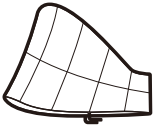
3 HANGING HOOK



1 PC

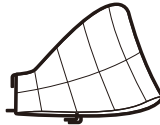
PARTS

A LEFT TOP LOOP



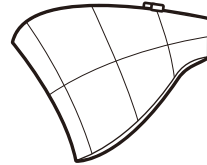
1 PC

B RIGHT TOP LOOP



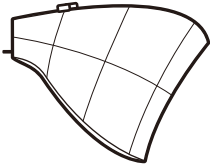
1 PC

C LEFT BOTTOM LOOP



1 PC

D RIGHT BOTTOM LOOP



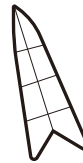
1 PC

E LEFT HANGING RIBBON



1 PC

F RIGHT HANGING RIBBON



1 PC

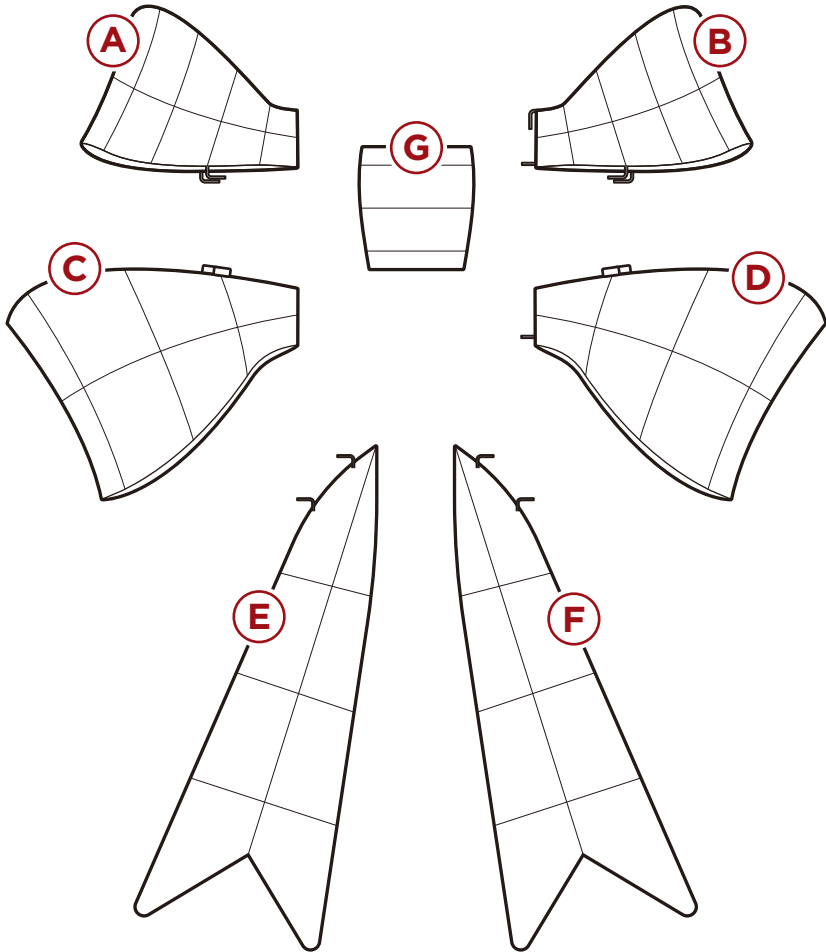
G KNOT



1 PC

BEFORE ASSEMBLY

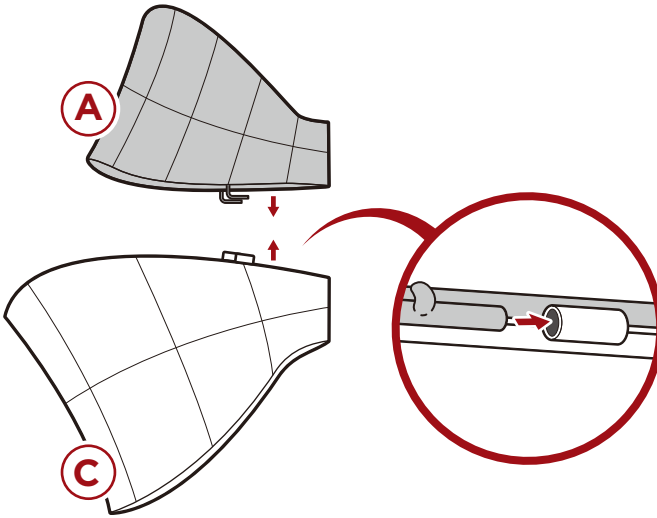
Before assembly, remove the smaller **part A & B loops** from the larger **C & D loops**. Then, lay out all pieces on the ground to ensure none of the wires are tangled.



PRODUCT ASSEMBLY

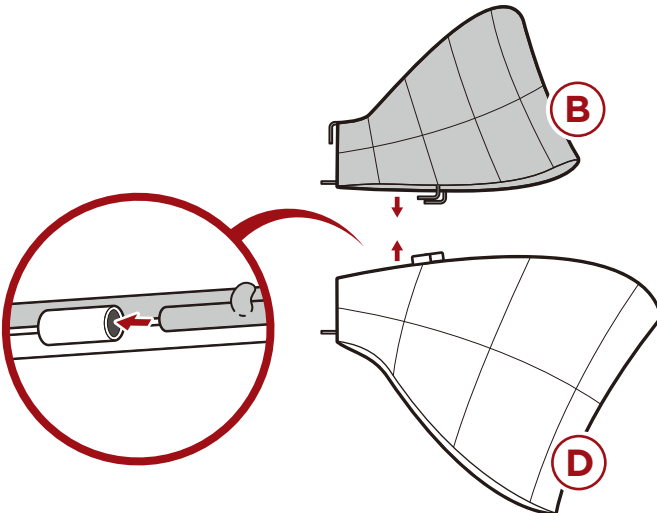
1

Interlock the **part A left top loop** with the **part C left bottom loop**.



2

Interlock the **part B right top loop** with the **part D right bottom loop**.

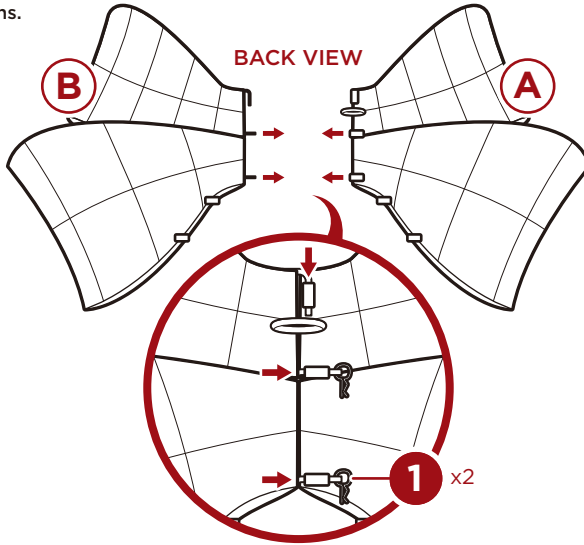


PRODUCT ASSEMBLY

3

Tuck the exposed wires into the back of the bow.

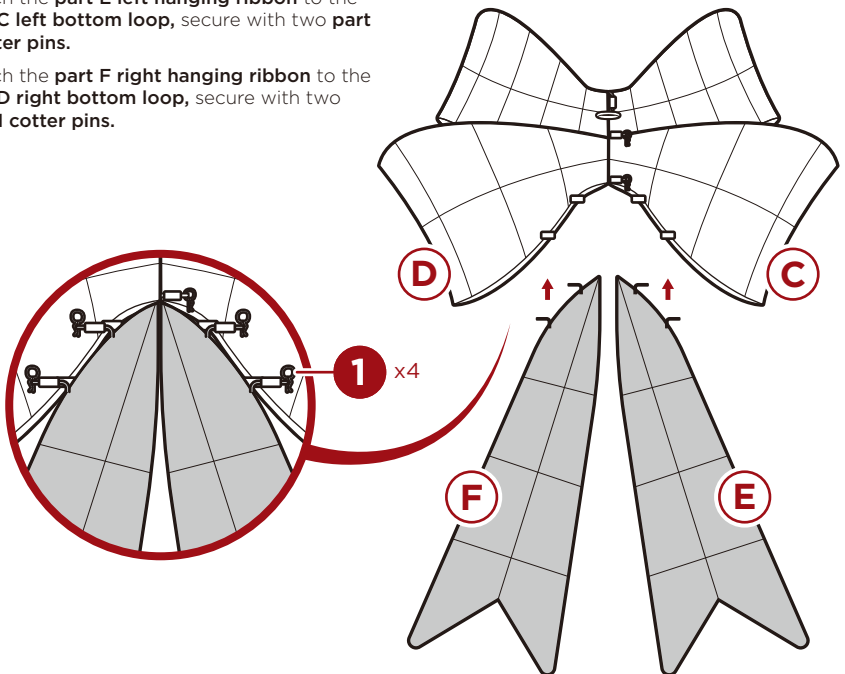
Flip the two side loop assemblies, then connect them. First, locate and connect the top hook and receiver pair. Then insert the lower hooks and receivers and secure with two **part 1 cotter pins**.



4

Attach the **part E left hanging ribbon** to the **part C left bottom loop**, secure with two **part 1 cotter pins**.

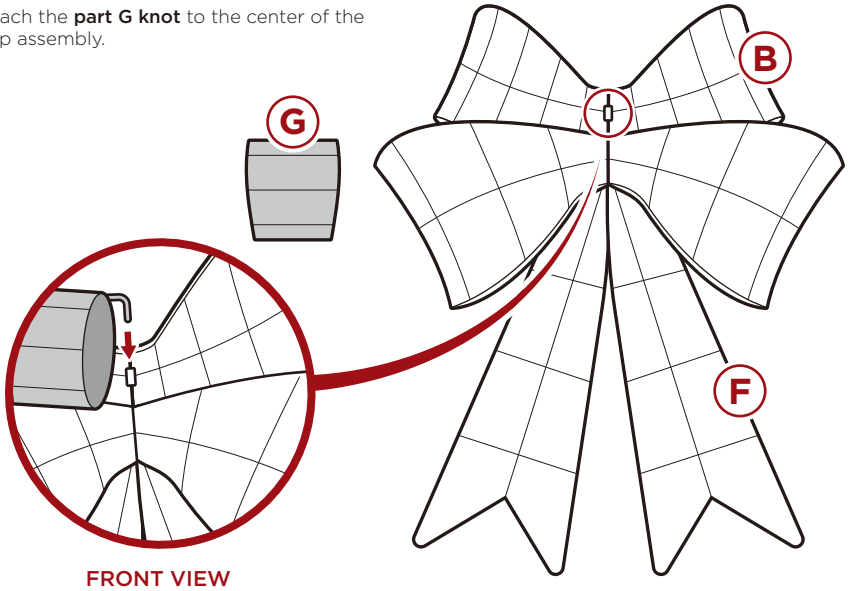
Attach the **part F right hanging ribbon** to the **part D right bottom loop**, secure with two **part 1 cotter pins**.



PRODUCT ASSEMBLY

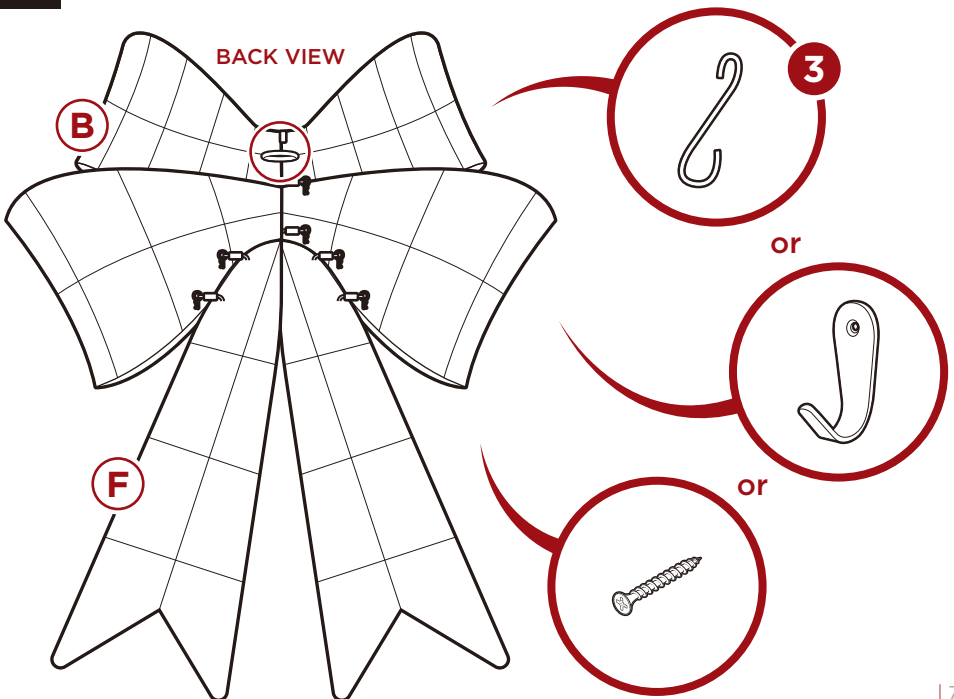
5

Attach the **part G** knot to the center of the loop assembly.



6

Locate the loop on the back of the bow assembly. Hang this bow on an exterior wall or fence using the **part 3** hook or your desired hanging hardware.





HELP CENTER



Question about your product? We're here to help. Visit us at:

help.bestchoiceproducts.com



Chat Support



Product Inquiry



Orders FAQ



Product Assembly



Returns & Refunds

PRODUCT WARRANTY INFORMATION

All items can be returned for any reason within 60 days of the receipt and will receive a full refund as long as the item is returned in its original product packaging and all accessories from its original shipment are included. All returned items will receive a full refund back to the original payment method. All returned items will not be charged a re-stocking fee.

All returned items require an RA (Return Authorization) number, which can only be provided by a Best Choice Products Customer Service Representative when the return request is submitted. Items received without an RA may not be accepted or may increase your return processing time. Once an item has been received by Best Choice Products, refunds or replacements will be processed within 5 business days.

All returns must be shipped back to the Best Choice Products Return Center at the customer's expense. If the reason for return is a result of an error by Best Choice Products then Best Choice Products will provide a pre-paid shipping label via email. Boxes for return shipping will not be provided by Best Choice Products, and is the customer's responsibility to either use the original shipping boxes or purchase new boxes.

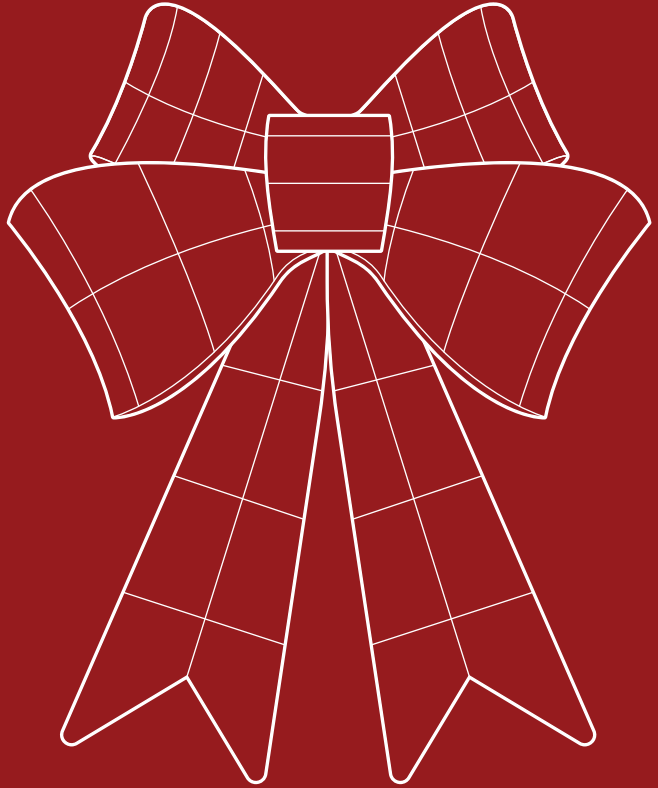
Pictures may be required for some returns to ensure an item is not damaged prior to its return. Items returned are not considered undamaged until they are received by Best Choice Products and verified as such. All damages to items are the customer's responsibility until the item has been received by and acknowledge by Best Choice Products as undamaged.

WARNING

Manufacturer and seller expressly disclaim any and all liability for personal injury, property damage or loss, whether direct, indirect, or incidental, resulting from the incorrect attachment, improper use, inadequate maintenance, unapproved modification, or neglect of this product.



BEST CHOICE
PRODUCTS



INSTRUCTION MANUAL

24in Outdoor Lighted Bow
Christmas Decoration



Begin assembly only after all packaging has been removed and the product has been checked for damage.

Assemble this product outside to avoid unintended property damage and cleanup.

bestchoiceproducts.com



**BEST CHOICE
PRODUCTS**

As shoppers, we're always trying to find the perfect balance between quality & value. At BCP, we believe we've achieved that. Our diverse catalog of everyday essentials is tailored especially to our customers & guaranteed to hit that sweet spot of high quality & low price.

— Always. —



This product requires additional mounting and hanging hardware.

Not included within this assembly.



1 PERSON
ASSEMBLY



UP TO 10 MIN.
ASSEMBLY

! NOTICE

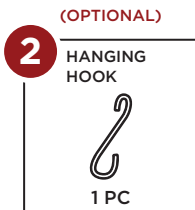
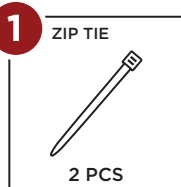
Please retain these instructions for future reference.

- This product is intended for outdoor use and should be assembled outdoors only.
- This item is not intended for permanent installation or use.
- Unplug item when not in use or if left unattended.
- Ensure that your voltage is consistent with specifications.
- If any parts are missing, broken, damaged, or worn, stop using this product until repairs are made and/or factory replacement parts are installed.
- Do not use this item in a way inconsistent with the manufacturer's instructions as this could void the product warranty.
- This product is intended for residential use only.

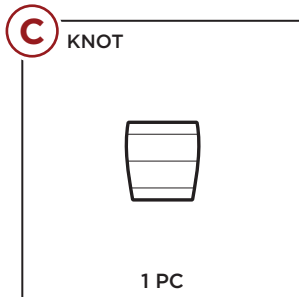
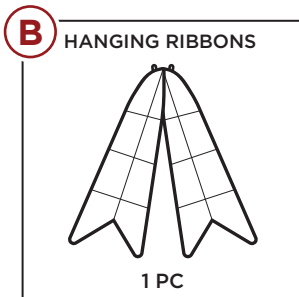
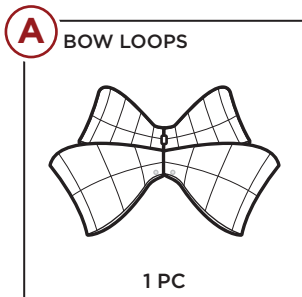
! WARNING

- Do not plug into a wall outlet until item is fully assembled and lights are properly connected.
- Do not use in extreme weather conditions.
- This product contains glitter, do not assemble indoors to avoid unintended property damage and cleanup.
- Do not allow glitter to contact your eyes or face as this may result in skin irritation or injury.
- Keep item away from all heat sources (fireplace, stove, heater, etc.).
- Do not secure wiring with staples, nails, or sharp hooks.
- Do not hang ornaments or other objects from the cord.
- Unplug item before removing or changing bulbs.
- Replace burned-out bulbs immediately. Make sure to purchase bulbs of the same rated voltage and wattage.

HARDWARE



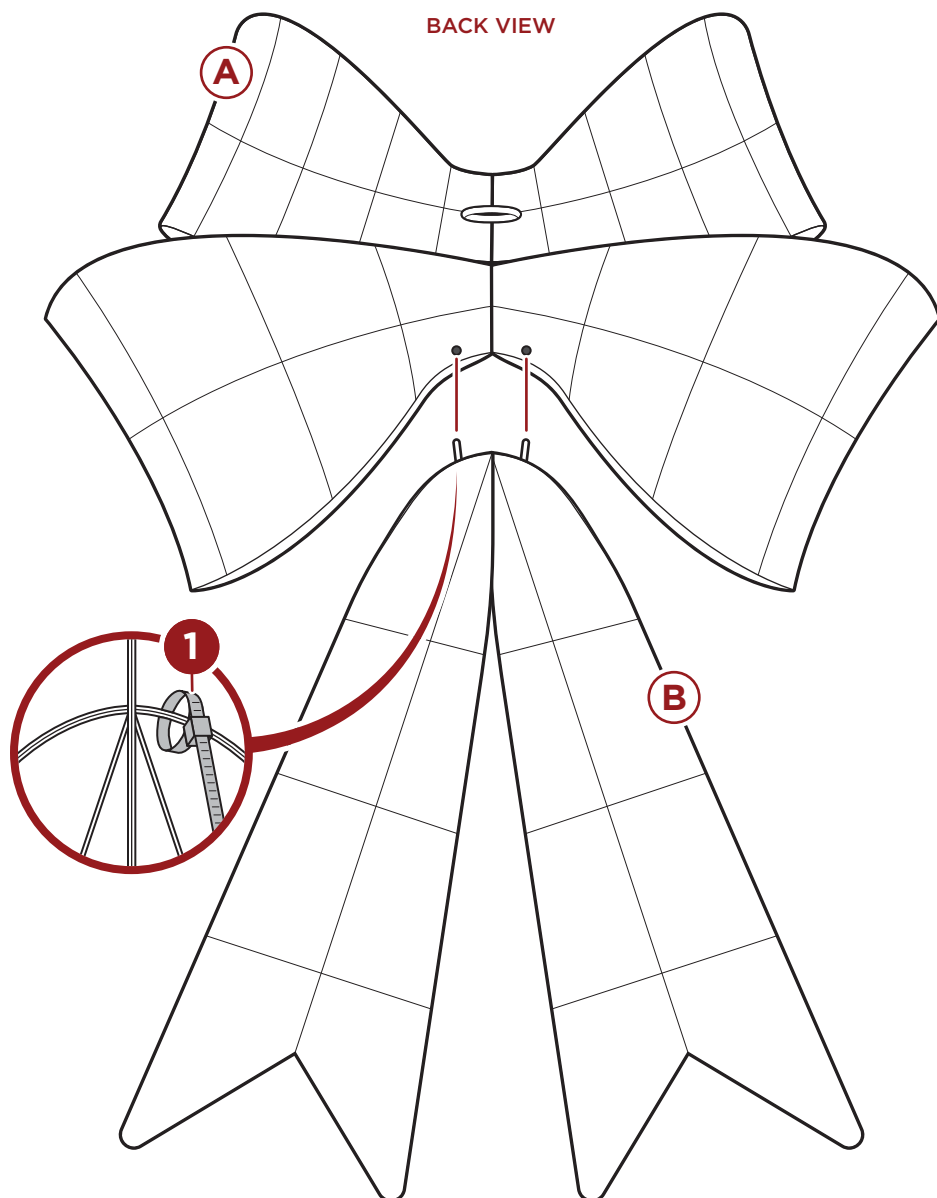
PARTS



PRODUCT ASSEMBLY

1

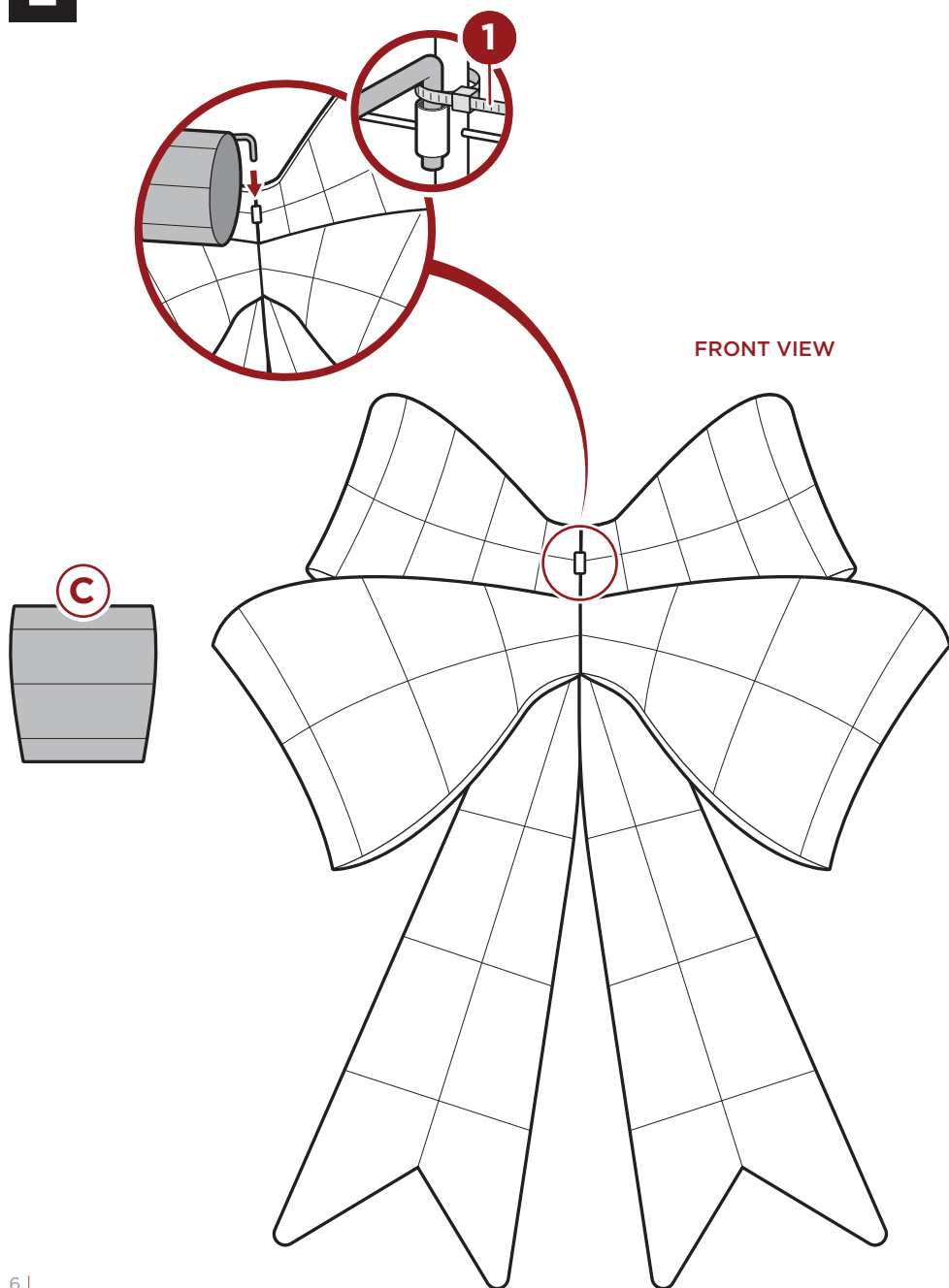
Insert the two prongs on the **part B hanging ribbons** into the receivers on the back of the **part A bow loops**, then secure with one **part 1 zip tie**.



PRODUCT ASSEMBLY

2

Insert the **C knot** into the receiver on the **part A bow loops**, then secure with one **part 1 zip tie**.

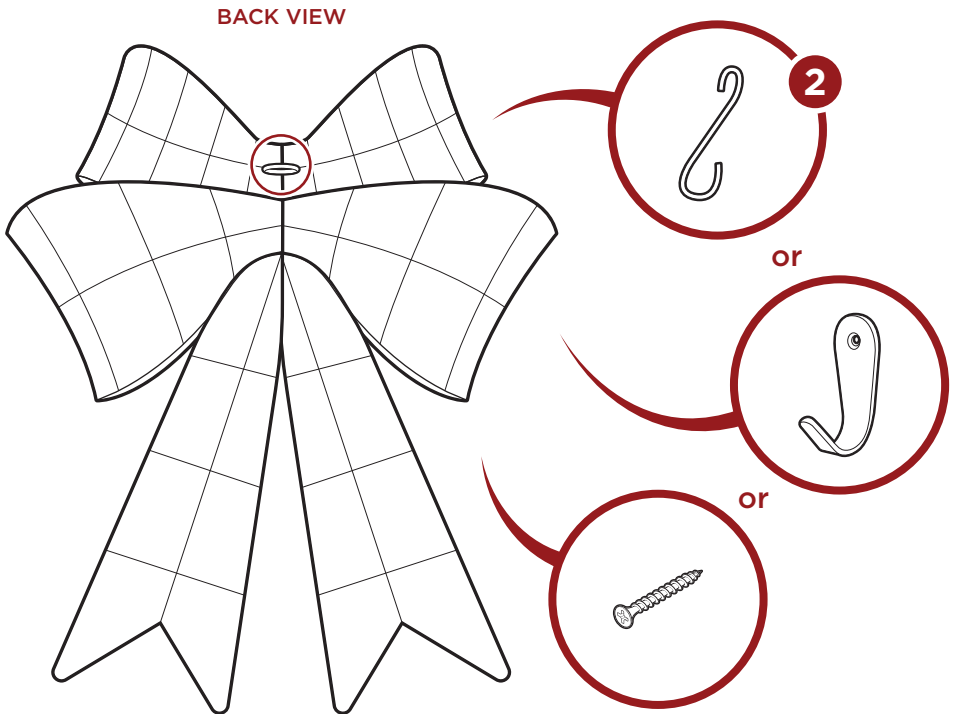


PRODUCT ASSEMBLY

3

Locate the loop on the back of the bow assembly. Hang this bow on an exterior wall or fence using the **part 2 hook** or your desired hanging hardware.

Plug into a power source to turn on lights. Press button on power plug to toggle through the light settings.





HELP CENTER



Question about your product? We're here to help. Visit us at:

help.bestchoiceproducts.com



Chat Support



Product Inquiry



Orders FAQ



Product Assembly



Returns & Refunds

PRODUCT WARRANTY INFORMATION

All items can be returned for any reason within 60 days of the receipt and will receive a full refund as long as the item is returned in its original product packaging and all accessories from its original shipment are included. All returned items will receive a full refund back to the original payment method. All returned items will not be charged a re-stocking fee.

All returned items require an RA (Return Authorization) number, which can only be provided by a Best Choice Products Customer Service Representative when the return request is submitted. Items received without an RA may not be accepted or may increase your return processing time. Once an item has been received by Best Choice Products, refunds or replacements will be processed within 5 business days.

All returns must be shipped back to the Best Choice Products Return Center at the customer's expense. If the reason for return is a result of an error by Best Choice Products then Best Choice Products will provide a pre-paid shipping label via email. Boxes for return shipping will not be provided by Best Choice Products, and is the customer's responsibility to either use the original shipping boxes or purchase new boxes.

Pictures may be required for some returns to ensure an item is not damaged prior to its return. Items returned are not considered undamaged until they are received by Best Choice Products and verified as such. All damages to items are the customer's responsibility until the item has been received by and acknowledged by Best Choice Products as undamaged.

© Best Choice Products, Inc. All rights reserved. Distributed by Best Choice Products, Inc. Tustin, CA 92780

WARNING

Manufacturer and seller expressly disclaim any and all liability for personal injury, property damage or loss, whether direct, indirect, or incidental, resulting from the incorrect attachment, improper use, inadequate maintenance, unapproved modification, or neglect of this product.