

Location:



SPB245 Series
Two handle Bar Sink Faucet
Specification Submittal



SPB245 with standard handles

Model Numbers

- SPB245** Faucet only with standard spout, standard handles and chrome finish

Options/ Modifications

- LWG** Wrist blade handle with metal finish and red & blue indicators on handles
- 5** Spout size 5-1/2" x 12-3/8", configure as swivel or rigid. Only available in standard chrome finish
- STN** Satin Nickel finish

Note: Append appropriate suffix to model number.
Handles with red/blue indicators are not available with decorative finishes.

Compliance

- ASME A112.18.1/CSA B125.1
- NSF/ANSI/CAN 61: Q<1, NSF/ANSI 372
- WaterSense: 1.5 gpm (5.7 L/min)



Feature Highlights

- Bar sink faucet, blade handles with red-blue indicators for hot-cold
- Quarter turn ceramic control components
- Standard spout size 3-1/2" x 9-1/8"
- Configure as swivel or rigid
- 1/2 inch IPS shanks
- 4 inch centers
- Metal construction
- Polished chrome finish
- Standard 1.5 gpm (5.7 L/min) flow rate

Warranty

Limited Lifetime - to the original end purchaser in consumer/residential installations.
10 Years - for commercial/industrial installations. Refer to www.symmons.com/warranty for complete warranty information.



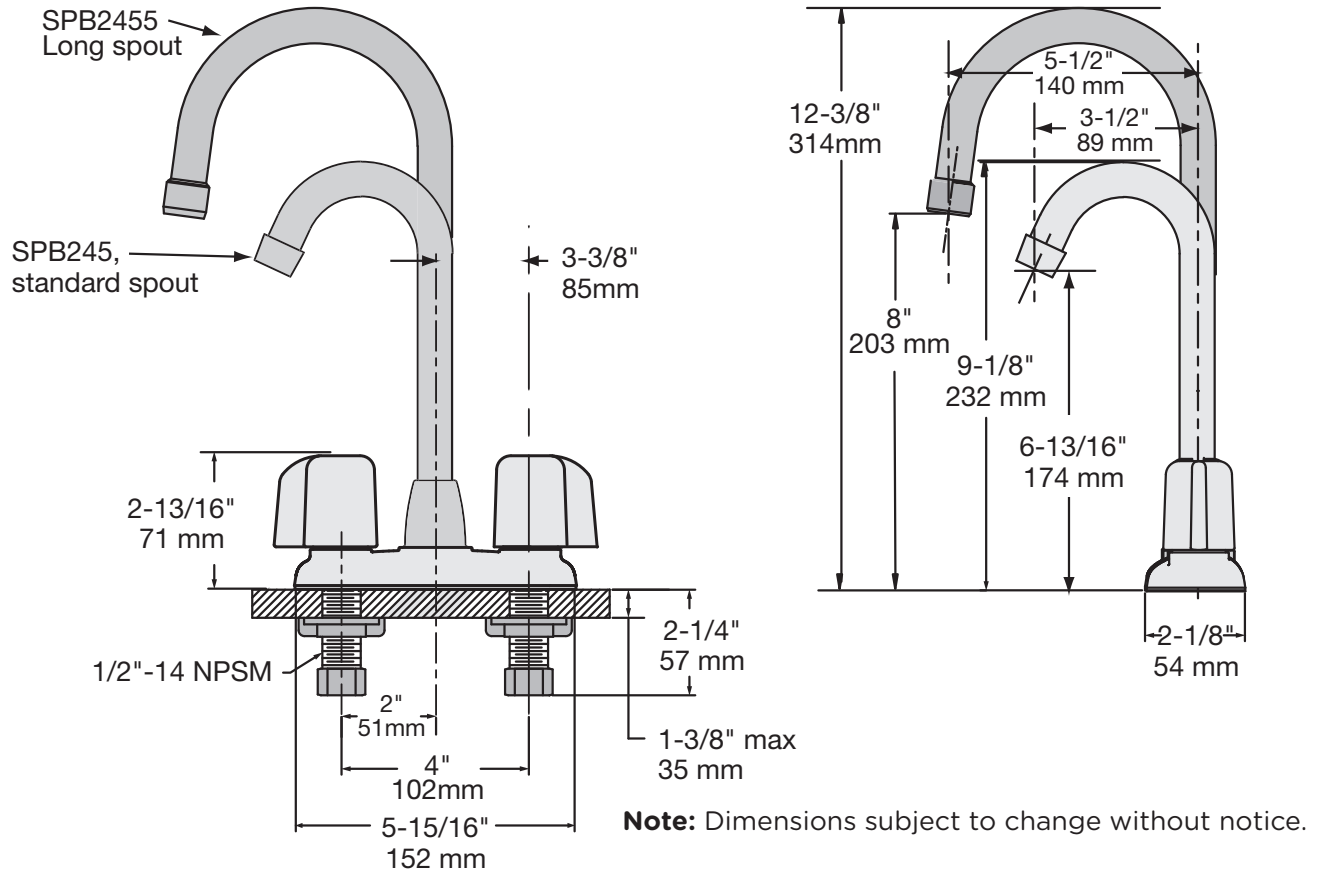
Architectural/ Engineering Specification

Symmons Symmetrix Two handle Bar Sink Faucet _____ Includes Bar sink faucet, blade handles with red-blue indicators for hot-cold, Quarter turn ceramic control components, Standard spout size 3-1/2" x 9-1/8", Configure as swivel or rigid, 1/2 inch IPS shanks, 4 inch centers, Metal construction, Polished chrome finish, Standard 1.5 gpm (5.7 L/min) flow rate. 10 Year Commercial Warranty. ASME A112.18.1/CSA B125.1, NSF/ANSI/CAN 61: Q<1, NSF/ANSI 372, WaterSense: 1.5 gpm (5.7 L/min) compliant. Available options: "LWG - Wrist blade handle with metal finish and red & blue indicators on handles", "5 - Spout size 5-1/2" x 12-3/8", configure as swivel or rigid. Only available in standard chrome finish", "STN - Satin Nickel finish".

SPB245 series handle options			
LWG			
<p>ADA compliant lever handles</p>			

SPB245 Series

Dimensions



Dimensions Bar Sink Faucet, SPB245LWG

