

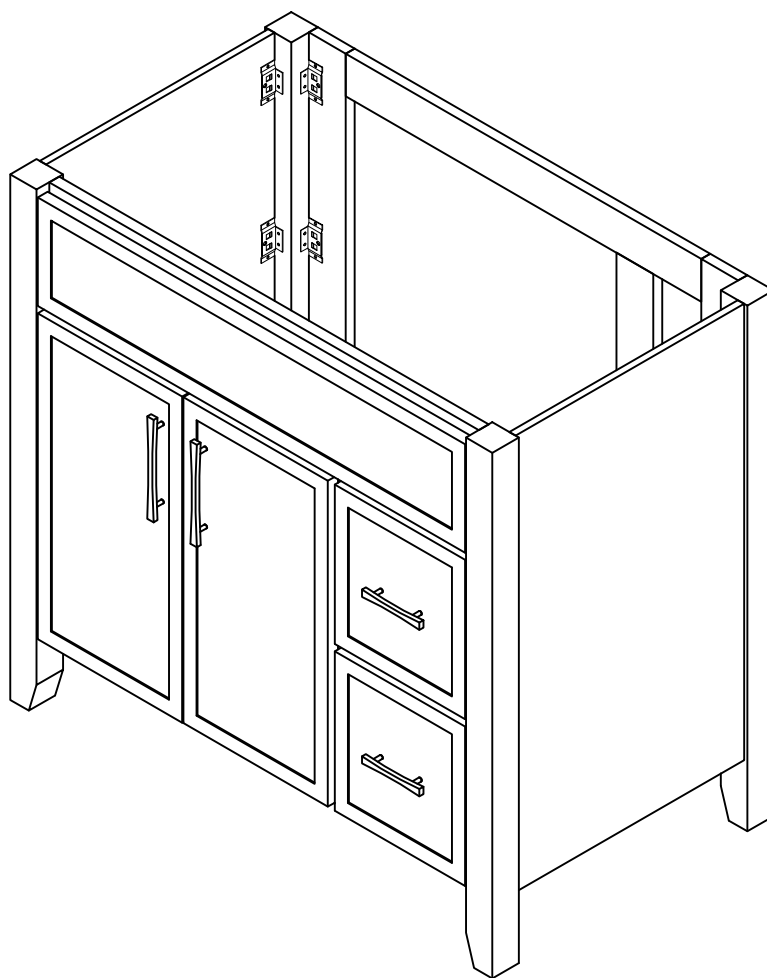


Part#: 228437-IO-RTA
228437-OTR-RTA
228437-ROAK-RTA

ASSEMBLY INSTRUCTIONS

228437 Dawson

Two Door Two Drawer Vanity Base Cabinet



Unpacking Precautions

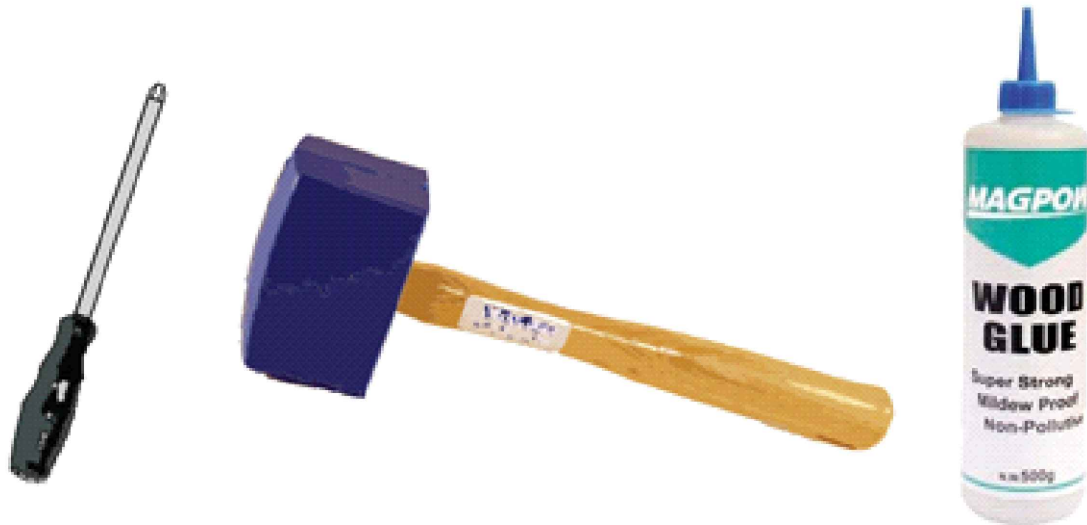
If using a sharp object to unpack the vanity components and the packing materials, be careful to avoid scratching or damaging the vanity components. The various packing materials may be used to protect the vanity components during assembly. During the unpacking process, place the various components away from and to the side of the work area so that they will not be inadvertently knocked over or otherwise damaged.

Required Tools

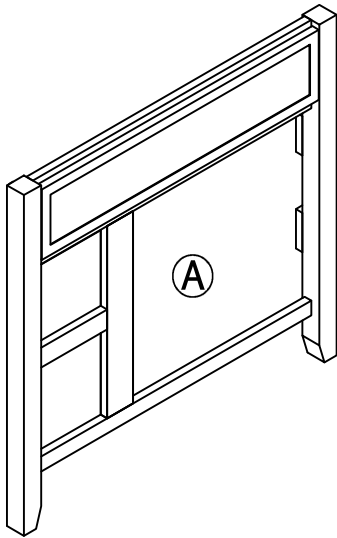
Phillips Screwdriver

Rubber Mallet

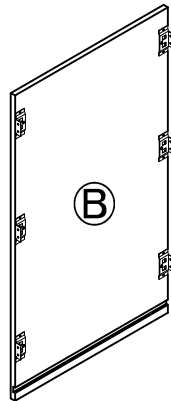
Wood Glue



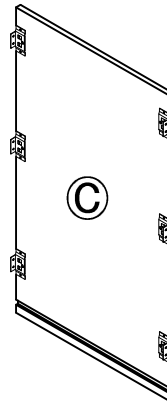
PARTS LIST



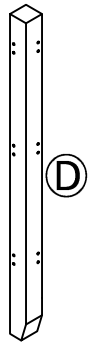
FRONT PANEL 1PC



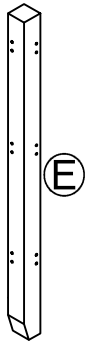
LEFT SIDE PANEL 1PC



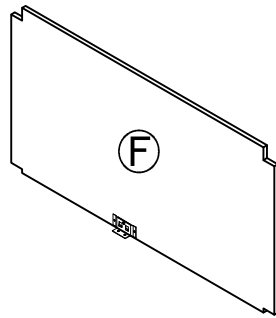
RIGHT SIDE PANEL 1PC



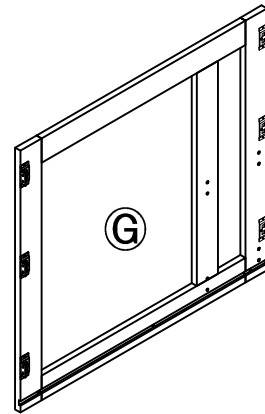
LEFT LEG 1PC



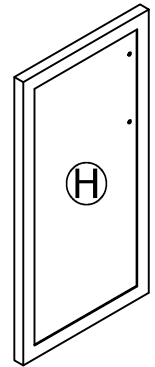
RIGHT LEG 1PC



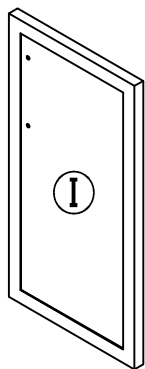
BOTTOM PANEL 1PC



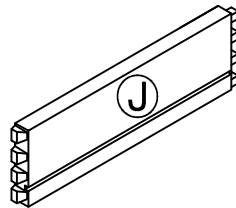
BACK PANEL 1PC



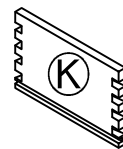
LEFT DOOR 1PC



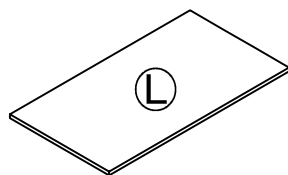
RIGHT DOOR 1PC



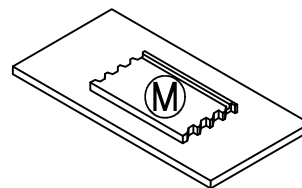
DRAWER SIDE PANEL 4PCS



DRAWER BACK PANEL 2PCS

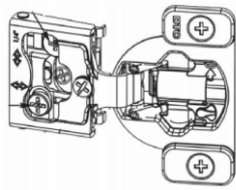


DRAWER BOTTOM PANEL 2PCS

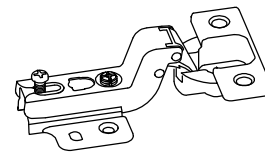


DRAWER FRONT PANEL 2PCS

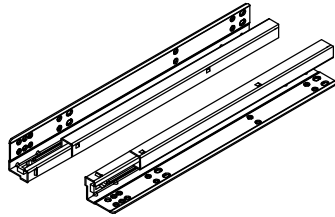
HARDWARE LIST



a. Door Hinge1



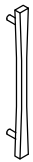
b. Door Hinge2



c. UNDERMOUNT SOFT CLOSE GLIDE(L/R)



d. PLASTIC CLIP (L/R)



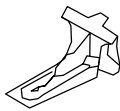
e. DOOR HANDLE 2PCS



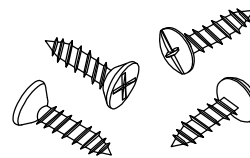
f. DOOR HANDLE 2PCS



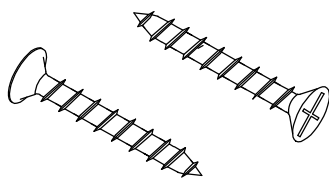
g. RUBBER BUMPER 12PCS



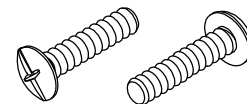
h. GLIDE BRACKET 4PCS



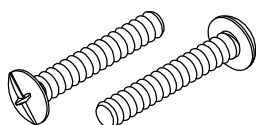
i. 1/2" FLAT (ROUND) HEAD SCREW 38PCS ROUND HEAD SCREW FOR ESPRESSO METAL CLIP ONLY



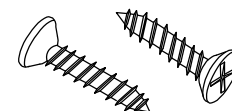
j. 1-1/8" FLAT HEAD SCREW 7PCS (3 PCS FOR ATTACHING THE BACK PANEL TO THE BOTTOM PANEL, 4PCS FOR CONNECTING TO THE COUNTERTOP)



k. KNOB SCREW FOR DOOR 1" 4PCS



l. KNOB SCREW FOR DRAWER 1-5/16" 2PCS

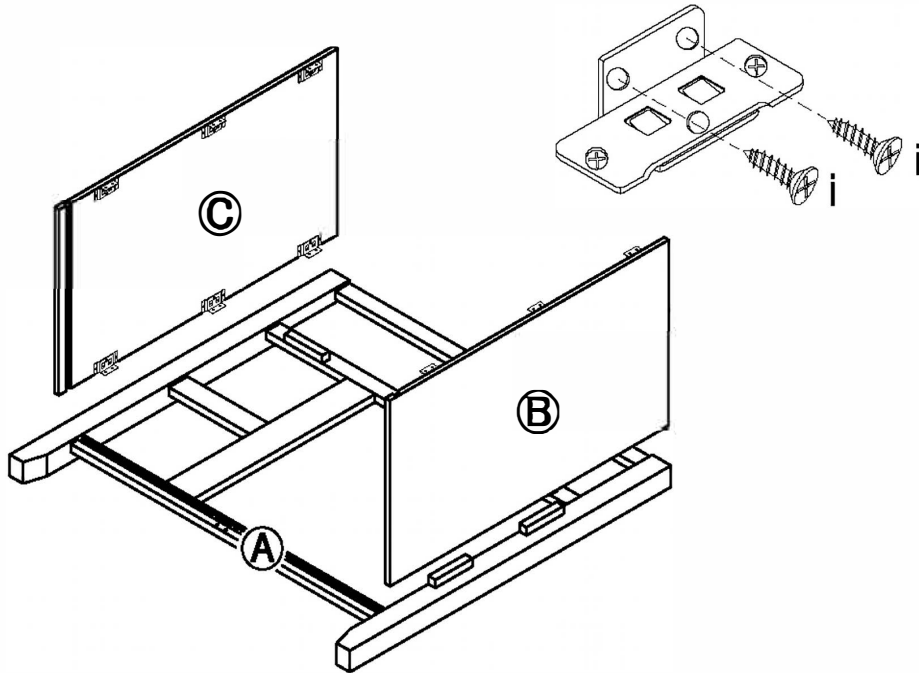


m. 3/5" GLIDE SCREW 30PCS

STEP 1

Slide the Right side panel (C) into the groove of the face frame, and mount the male clip to the face frame with the screwdriver. Each male clip will need 2 small screws (i).

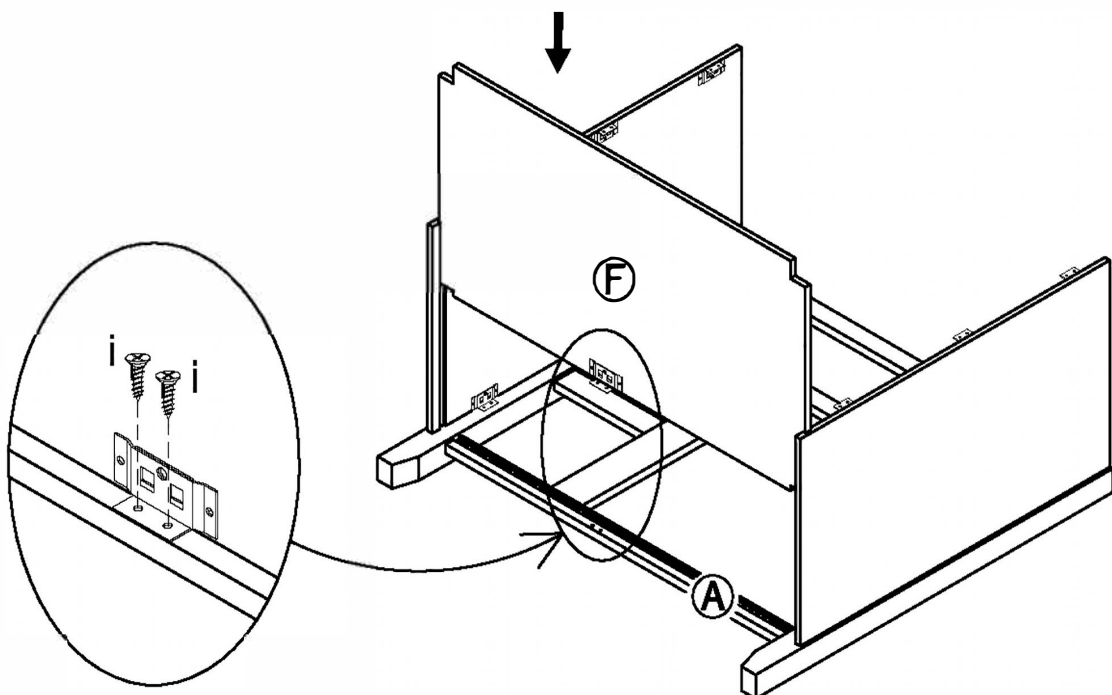
Slide the Left side panel (B) into the Left groove of the face frame, and mount the male clip to the face frame with a screwdriver. Each male clip will need 2 small screws (i).



★ Clips covered with black cap for shipping to prevent damage

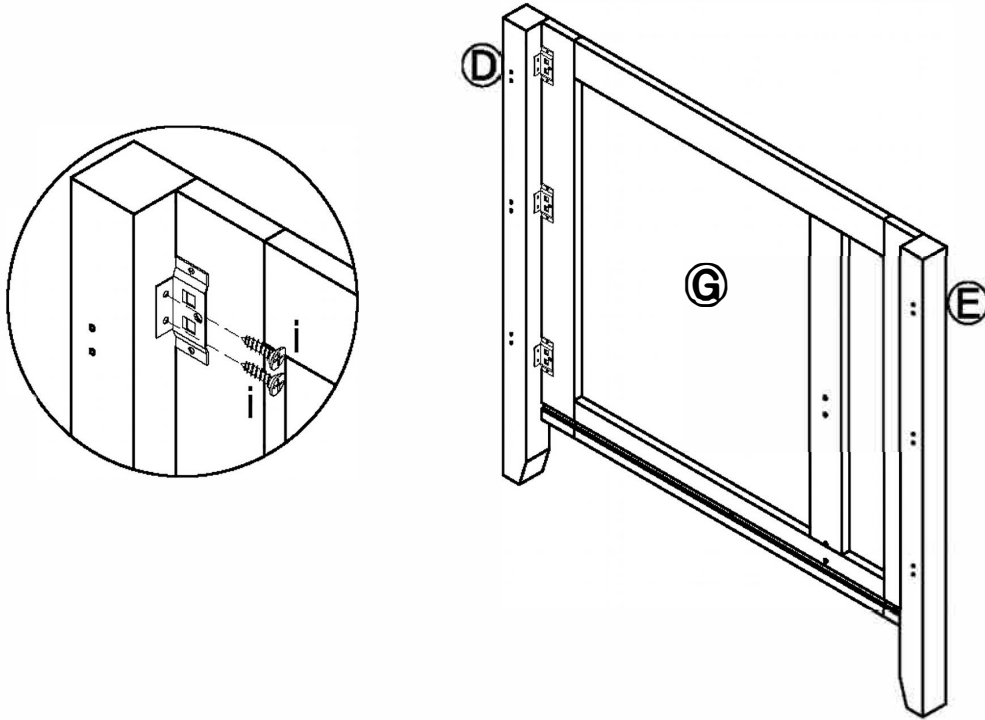
STEP 2

Slide bottom panel (F) into the groove of the right and left side panels and fix the bottom panel to face frame with metal clips and screws (i).



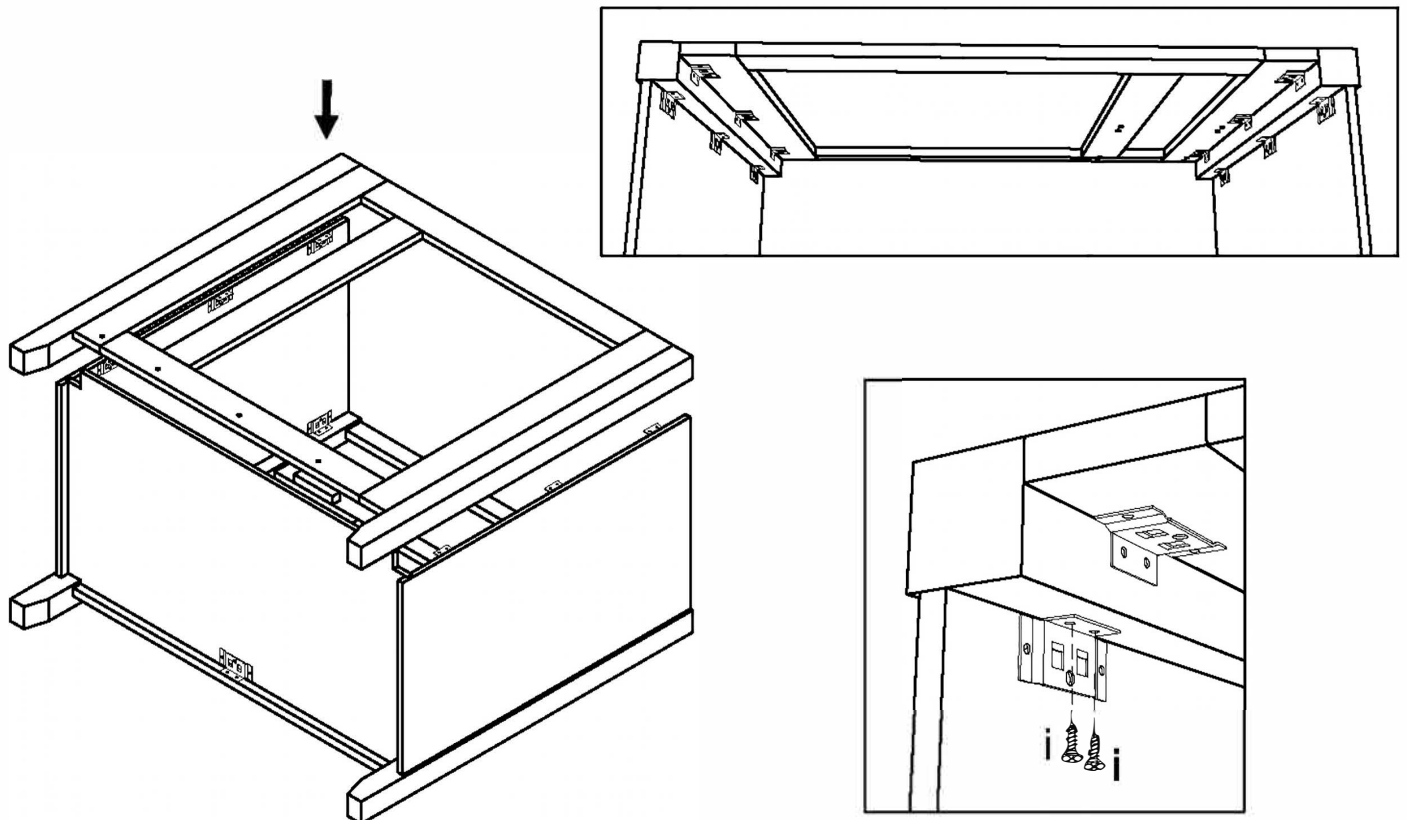
STEP 3

Attach the two wooden legs (D) and (E) to the back panel (G) with screw "i".



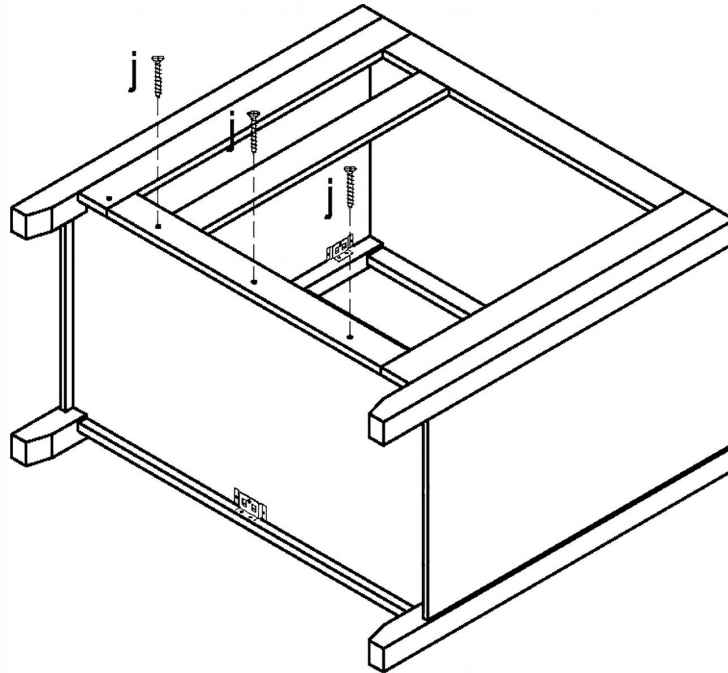
STEP 4

Attach the whole back panel to the side panels with screw "i"



STEP 5

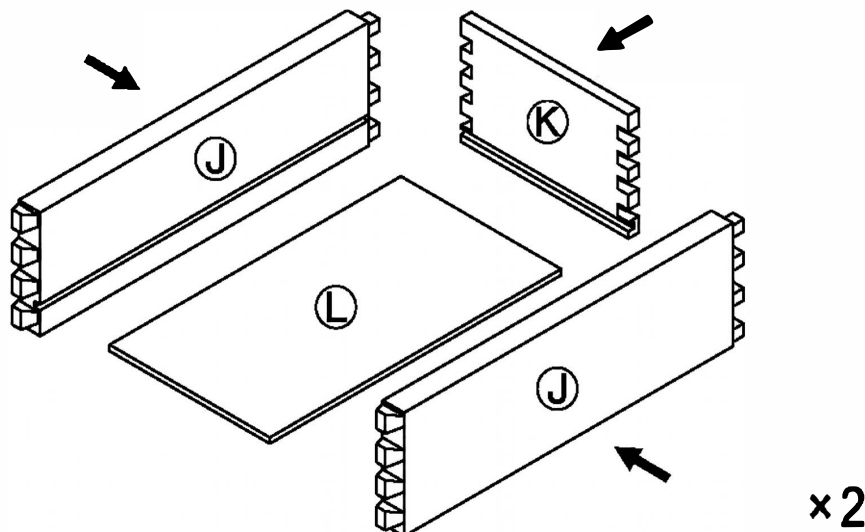
Use the long screws (j) , to fix the back panel to the edges of the bottom panels.



STEP 6

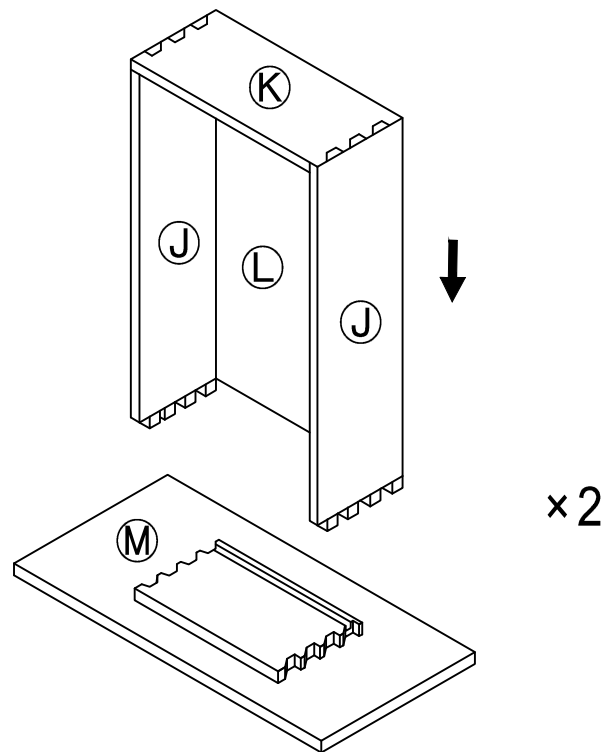
Align the dovetails of one of the drawer side panels (J) with the teeth on the drawer back panel (K) and gently seat the drawer side panel into the drawer back panel. This can be done by gently tapping the side with a rubber mallet.

Repeat this procedure for the second drawer side panel. Slide the drawer bottom into the grooves on the sides and drawer back panel until it is fully seated.



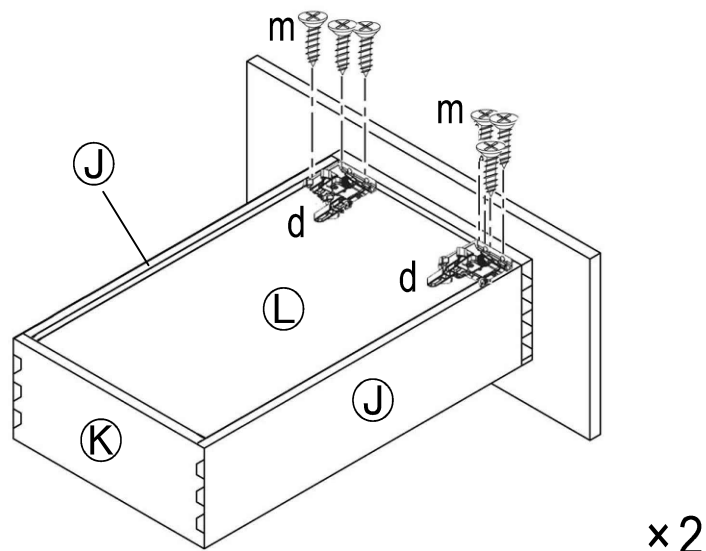
STEP 7

Attach the drawer fronts (M) to the drawer box by aligning the dovetails of drawer panels with the teeth on the front drawer panel (M) and gently seat as below.



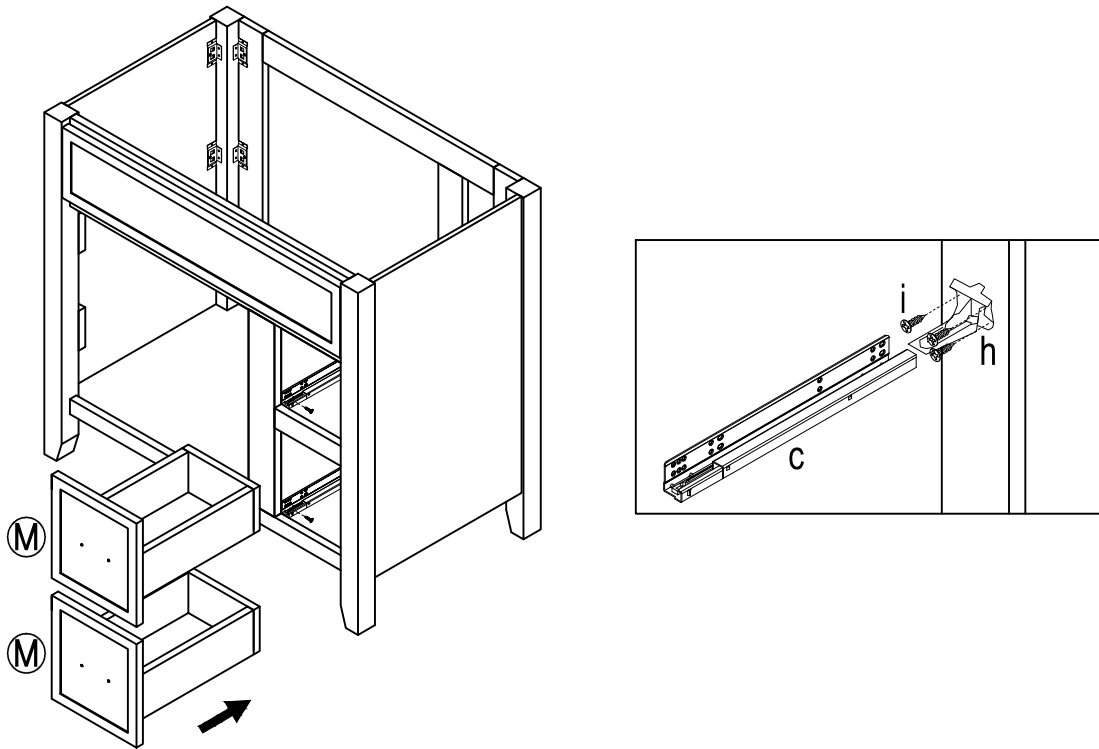
STEP 8

Attach the plastic clip (d) on the bottom of the drawer, using six small flat head screws (m), three screws for each.



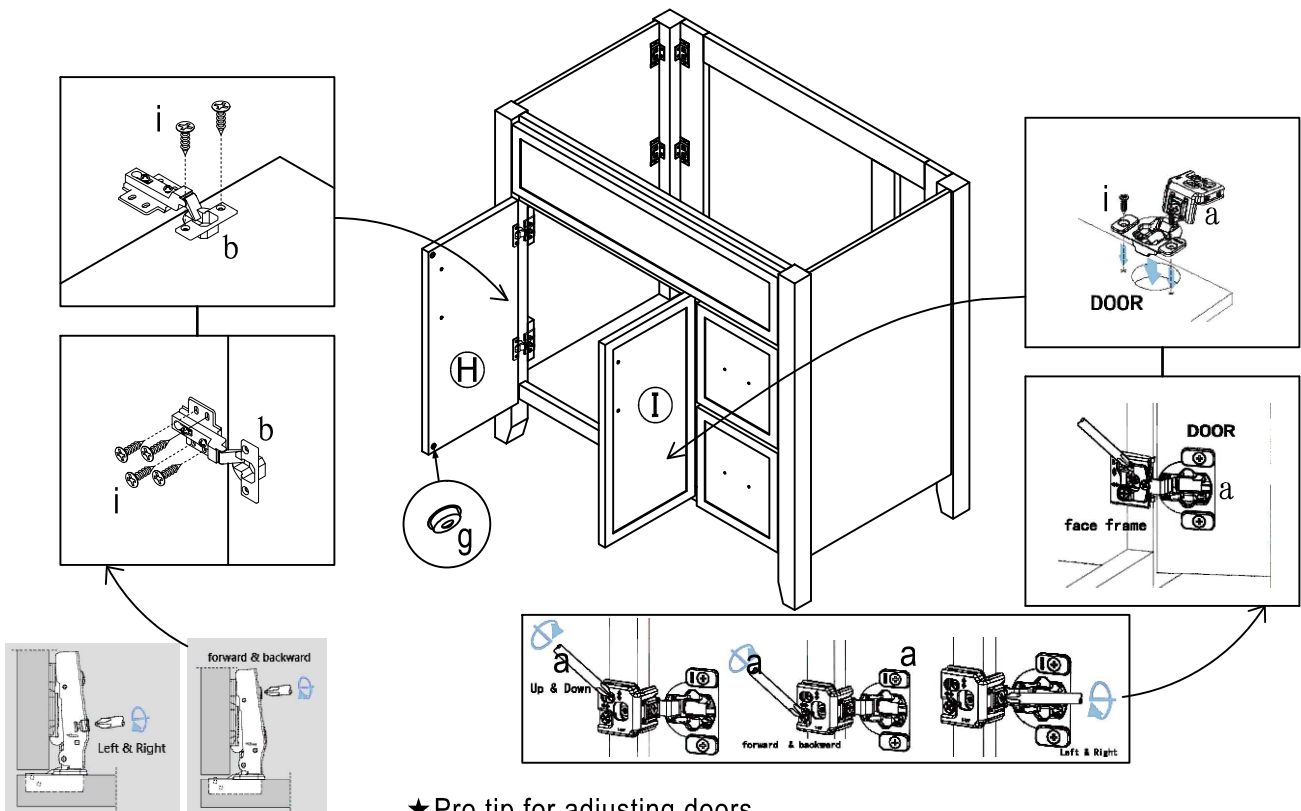
STEP 9

Using two small screws (i) to fix the glide bracket (h) to the interior sets of pre-drilled holes on the back panel. Using one small screw (i) to attach the glide (c) on the faceframe. Install the drawers into the cabinet.



STEP 10

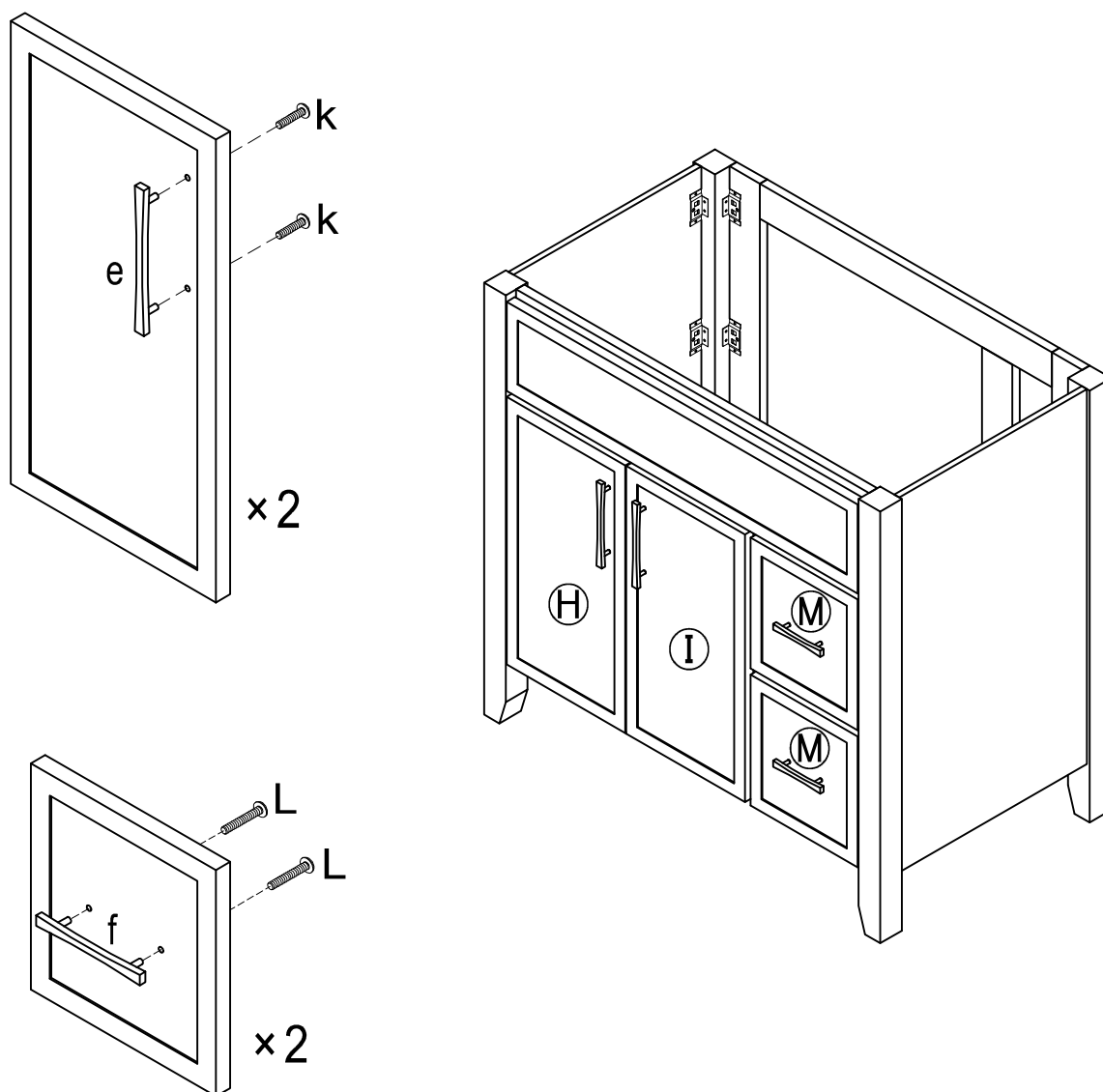
Attach the door (I) to face frame with framed hinge (a) & screw (i); Attach the other door (H) to the wood filler on face frame with frameless hinge (b) & screw (i).



★ Pro tip for adjusting doors

STEP 11

Install the handle (e) with screw (k) on doors and handle (f) with screw (L) on drawers.



STEP 12

Enjoy your new Dawson Vanity