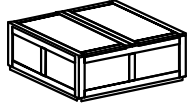


ASSEMBLY INSTRUCTION

E773-30(N1) TRUNK SQUARE COCKTAIL TABLE

A Table Top



1pc

B Leg With Caster



4pcs

C Bolt
Ø1/4" x 2"



4pcs

D Lock Washer
Ø1/4"



4pcs

E Flat Washer
Ø1/4" x 5/8"

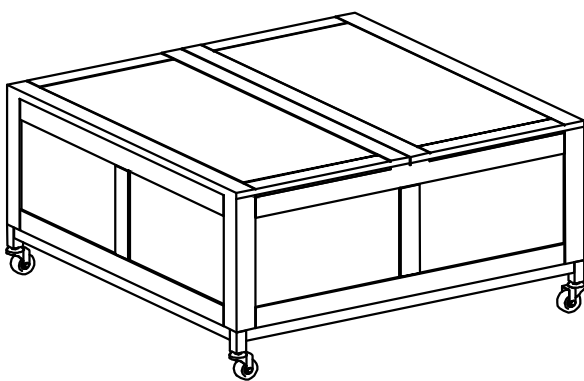


4pcs

F Allen Key
M4

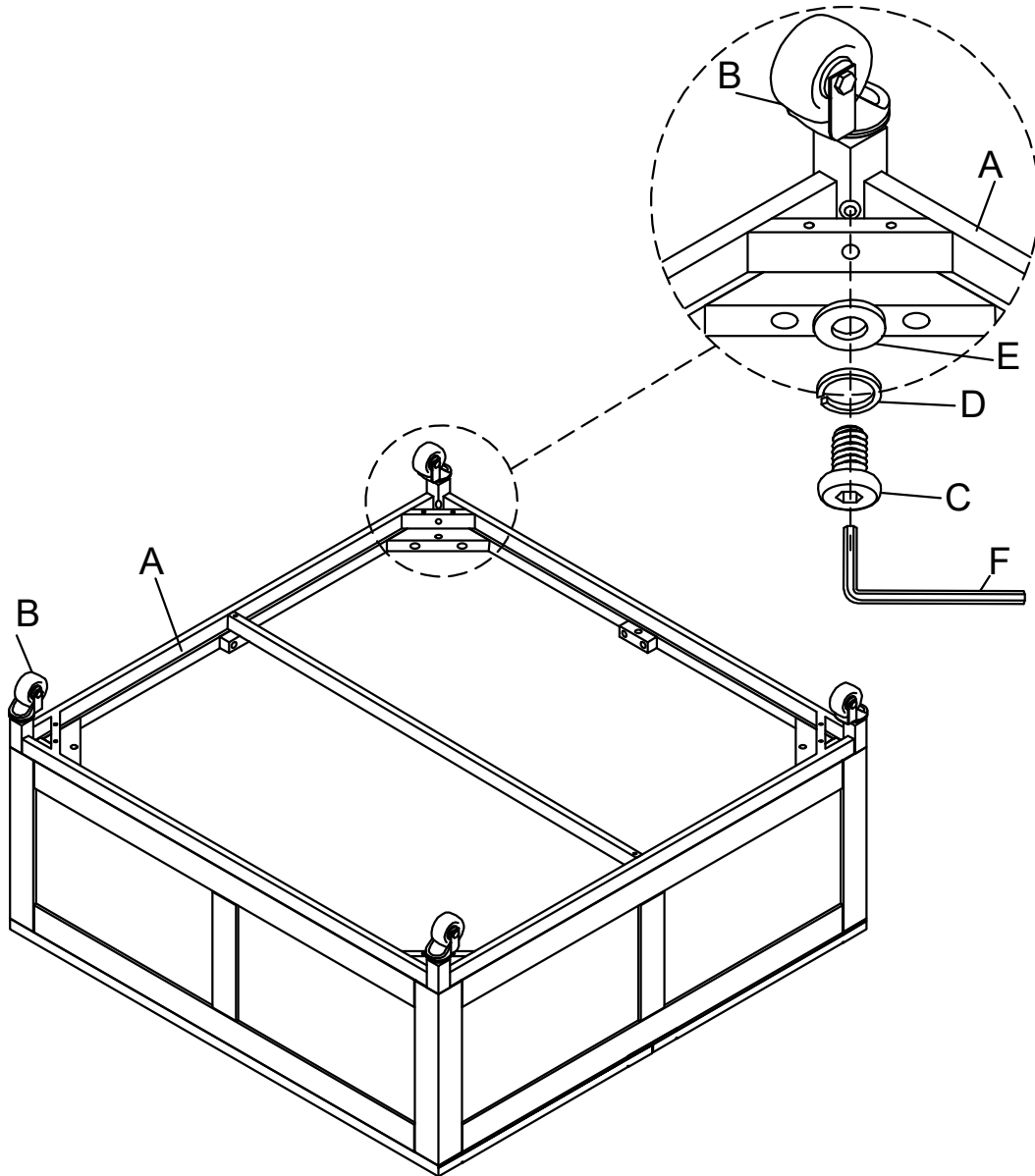


1pc



This page lists all the contents included in the box. Please take the time to identify the hardware as well as the individual components to this product. As you unpack and prepare for assembly, place the contents on a carpeted or padded area to protect them from damage.

- 1** Assembly the Leg With Caster (B) onto the Table Top (A) using Bolt (C), Lock Washer (D) and Flat Washer (E), then tighten by Allen Key (F).



Cleaning & Care

Treat surface with care. Surface is resistant to scratches but is not scratch resistant. Clean surfaces with a dry or damp soft cloth. Do not use abrasive cleaners. Hardware may loosen over time. Periodically check that all connections are tight.