



Manufactured by:  
Backyard Discovery  
3305 Airport Drive, Pittsburg, KS 66762  
800-856-4445

*Basepoint Business Centre: Rivermead Drive, Westlea, Swindon SN5 7EX Phone: 0800-118-2476 J.P. Coenstraat 7, The Bridge, The Hague, 2595 WP, Netherlands Phone: 08005678990*

# 9x6 BELLEROSE/LILLYBELLE GREENHOUSE GUTTER KIT

MODEL #: 9240643/9240650



Please visit [www.backyarddiscovery.com](http://www.backyarddiscovery.com)

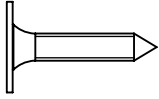
For the most up to date assembly manual, to register your product, or to order

replacement parts Para obtener instrucciones en español, visite

[www.backyarddiscovery.com](http://www.backyarddiscovery.com)

# OWNER'S MANUAL - PARTS IDENTIFICATION

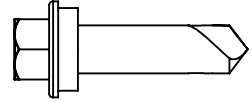
## Hardware Components



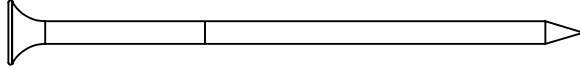
H101205 SCREW PWH BLK  
(x8) 8x3/4



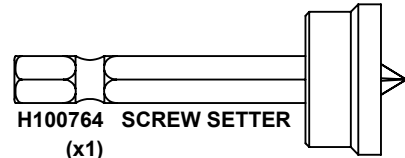
H101415 SCREW SELF PIERCING #8x1/2  
(x10)



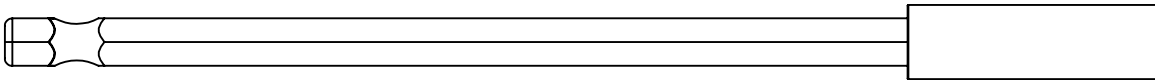
H101480 SCREW SELF TAPPING #9x1 BLK  
(x10) 1/4 x 1



H100362 SCREW PFH BLK  
(x8) 8x3



H100764 SCREW SETTER  
(x1)

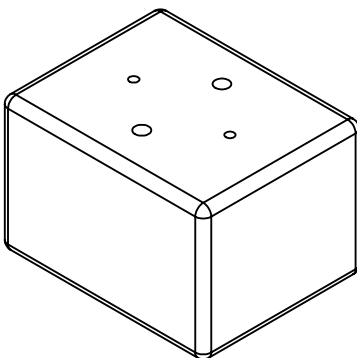


H101278 6" MAGNETIC DRIVER EXTENSION  
(x1)

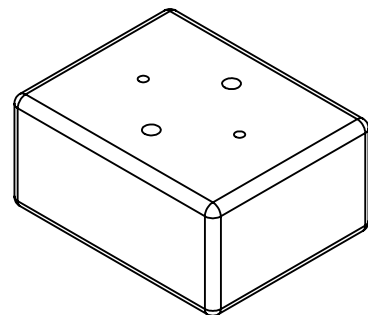


A6P01531 10 OZ SILICONE TUBE  
(x2)

## Wood Components (NOT TO SCALE)



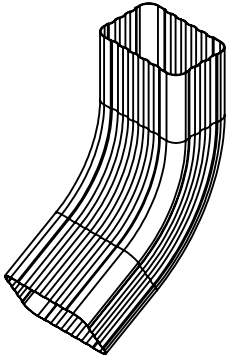
W4L21320 GUTTER SPACER  
(x2) 1 15/16"x2 3/8"x3" [49x60x76]



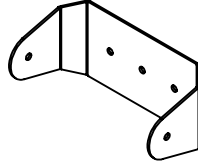
W4L21461 GUTTER SPACER  
(x2) 1 7/16"x2 3/8"x3" [37x60x76]

# OWNER'S MANUAL - PARTS IDENTIFICATION

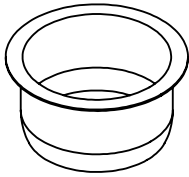
## Accessory Components (NOT TO SCALE)



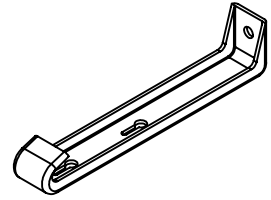
**A4M05880 DOWNSPOUT ELBOW - LONG**  
(x2) 3"x10 5/8"x10 5/8" [76x270x271]



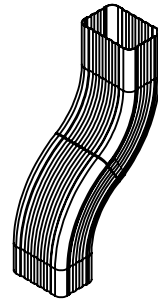
**A4M06338 DOWNSPOUT CLIP**  
(x4) 1 7/16"x1 7/16"x3 1/8" [36x36x79]



**A4M04761 DOWNSPOUT OUTLET**  
(x2) 1 7/16"x2 7/8" [37x73]



**A4M04759 GUTTER HANGER**  
(x10) 3/4"x1"x4 15/16" [19x25x125]



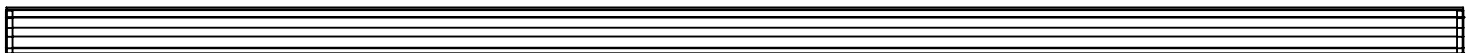
**A4M06341 DOWNSPOUT OFFSET - 4"**  
(x2) 3"x6"x10 5/8" [76x152x270]



**A4M06340 DOWNSPOUT - 60"**  
(x2) 2"x3"x60" [51x76x1525]



**A4M06686 GUTTER W/ OUTLET**  
(x1) 3 11/16"x5 1/8"x113 13/16" [93x130x2891]



**A4M06687 GUTTER W/ OUTLET**  
(x1) 3 11/16"x5 1/8"x113 13/16" [93x130x2891]

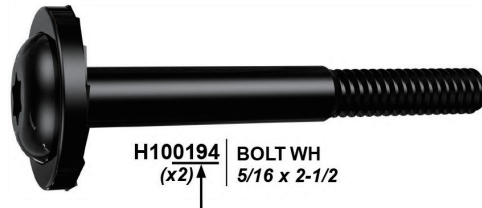
# PRE-ASSEMBLY STEP 1 - SORTING PARTS

It is critical for ease of assembly that you take the time to sort and organize the parts and hardware.

---

## **HARDWARE PARTS:**

- We recommend that you have a separate table to organize the hardware.
- Hardware bags are printed with a seven-digit, alpha-numeric part number.
- You can organize your hardware by part number or group by hardware type (e.g. bolts, nuts, etc.).
- During assembly you only need to reference the last four digits of the number.



---

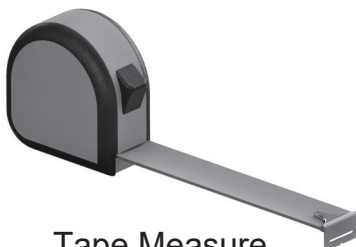
## **TOOLS REQUIRED:**



Cordless Drill or  
Electric Drill



Caulk Gun



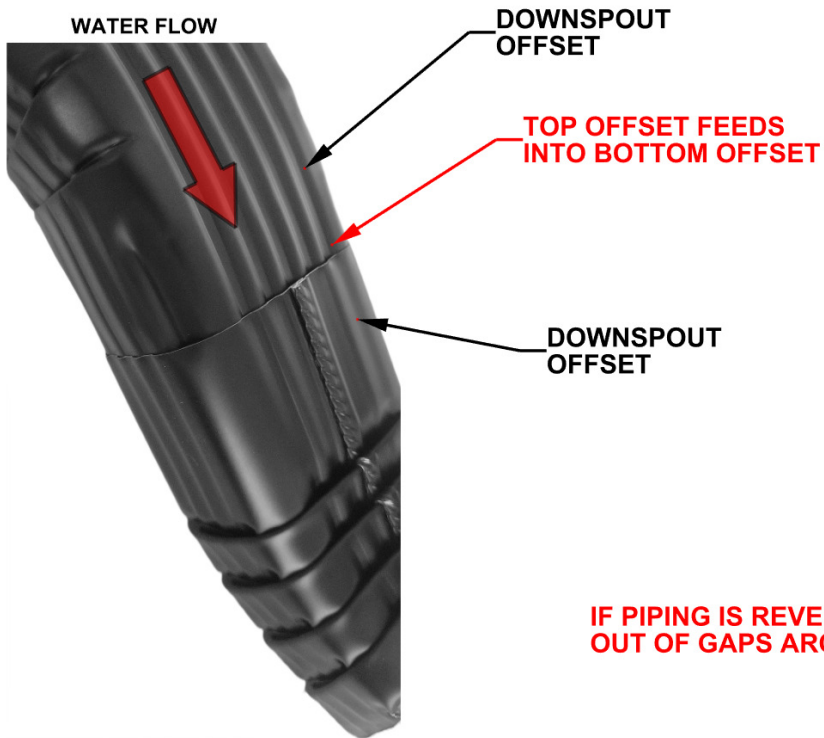
Tape Measure



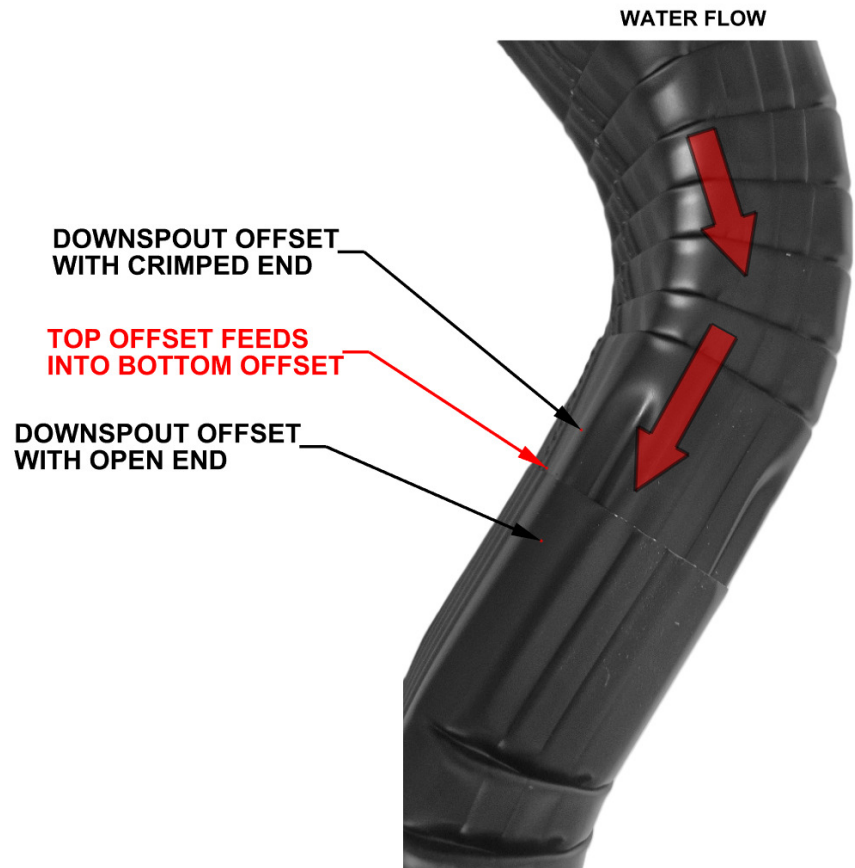
1/8" Drill Bit

# OFFSET ORIENTATION

TO ENSURE WATER FLOWS PROPERLY, IT IS IMPORTANT TO ORIENT DOWNSPOUT PIPING CORRECTLY. STARTING AT THE TOP, DOWNSPOUTS MUST FEED INTO THE NEXT SECTION AS SHOWN.



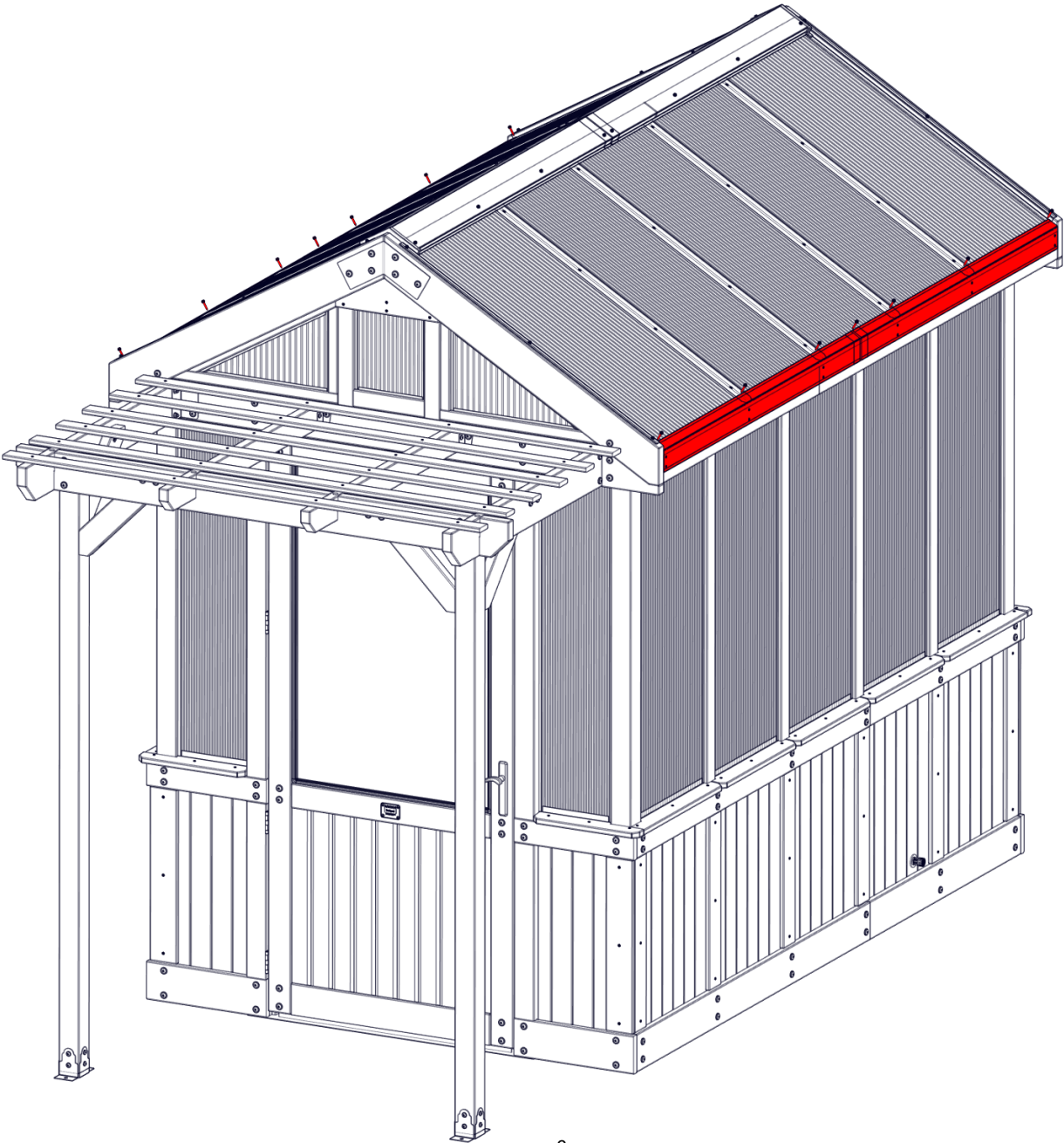
IF PIPING IS REVERSED, WATER WILL RUN OUT OF GAPS AROUND JOINTS



# STEP 1A - GUTTER ASSEMBLY

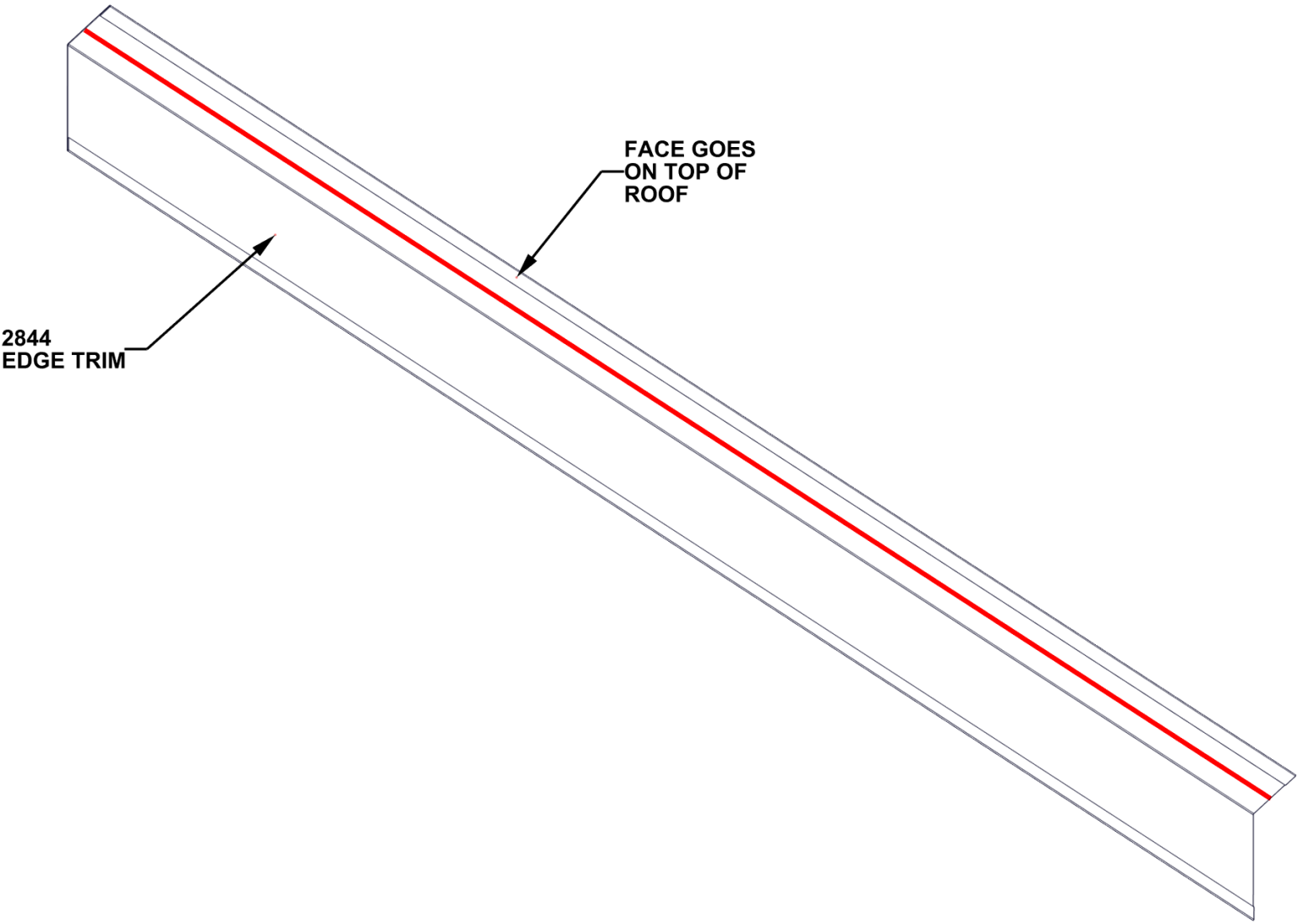
QTY	PART NUMBER	DESCRIPTION
14	H100760	SCREW WOODGRIP 10-16x1-1/4"

- REMOVE EDGE TRIM AND EDGE TRIM SPLICE FROM THE ROOF AS SHOWN.
- SET HARDWARE ASIDE FOR LATER USE.



# STEP 1B - GUTTER ASSEMBLY

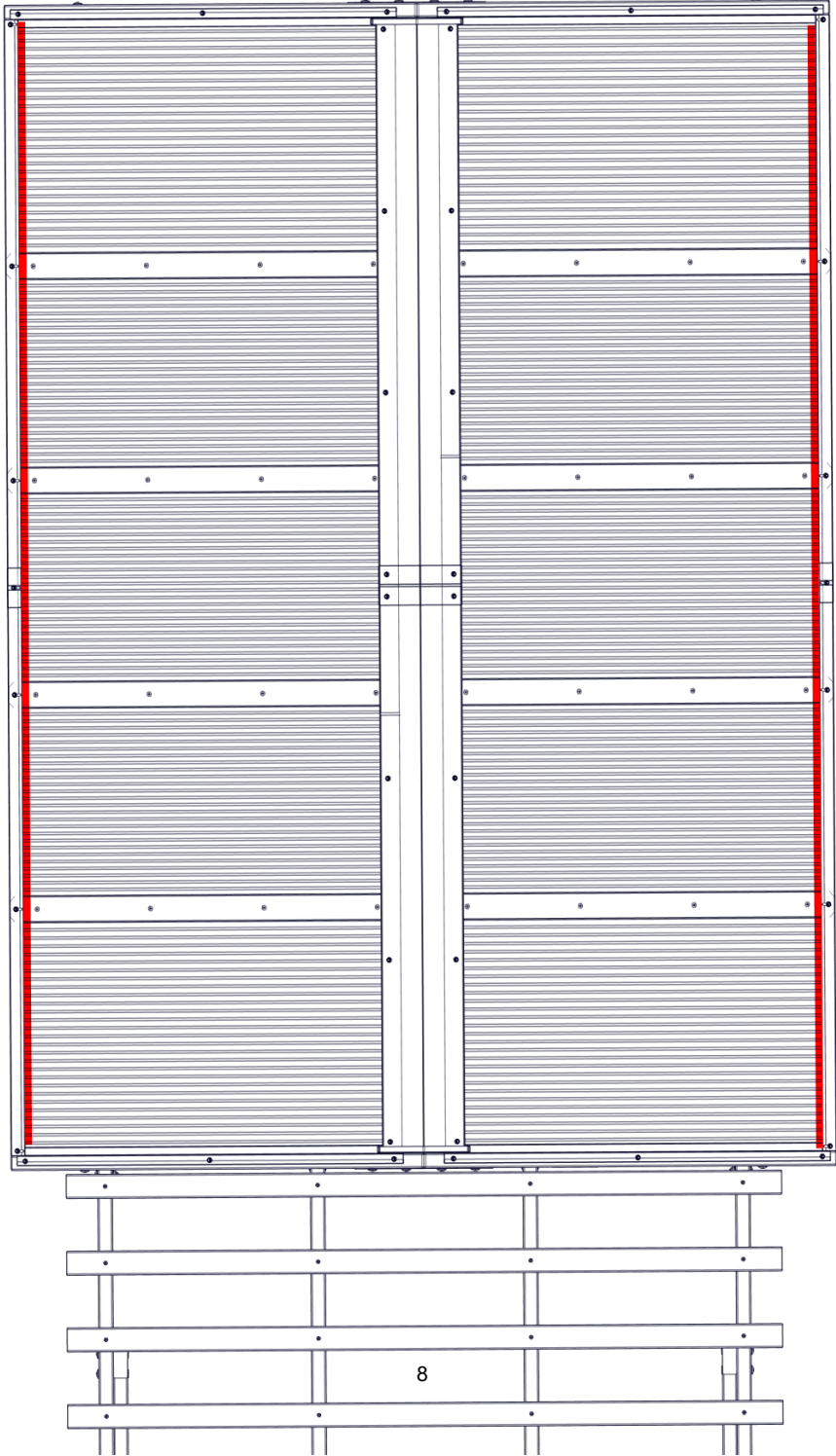
- USING A CAULK GUN AND SILICONE TUBE, PLACE A GENEROUS BEAD OF SILICONE ACROSS THE BOTTOM OF THE EDGE TRIM AS SHOWN.



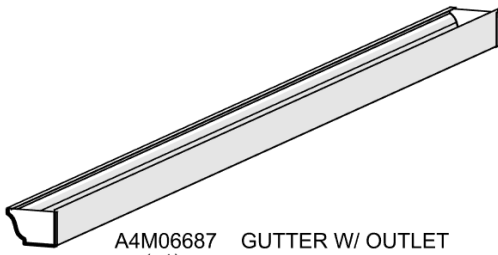
# STEP 1C - GUTTER ASSEMBLY

QTY	PART NUMBER	DESCRIPTION
14	H100760	SCREW WOODGRIP 10-16x1-1/4"

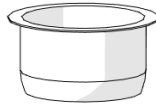
- RE-ATTACH EDGE TRIM AND SPLICE USING HARDWARE PREVIOUSLY REMOVED.
- USING A CAULK GUT AND SIICONE TUBE, PLACE A GENEROUS BEAD OF SILICONE ACROSS THE TOP SIDE BETWEEN THE EDGE TRIM AND THE ROOF.



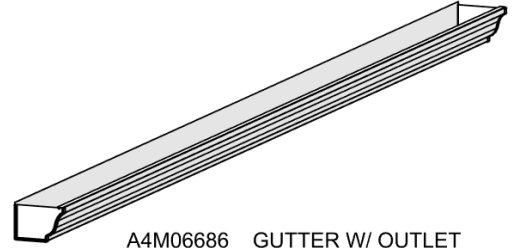
# STEP 2 - GUTTER ASSEMBLY



A4M06687 GUTTER W/ OUTLET  
(x1)

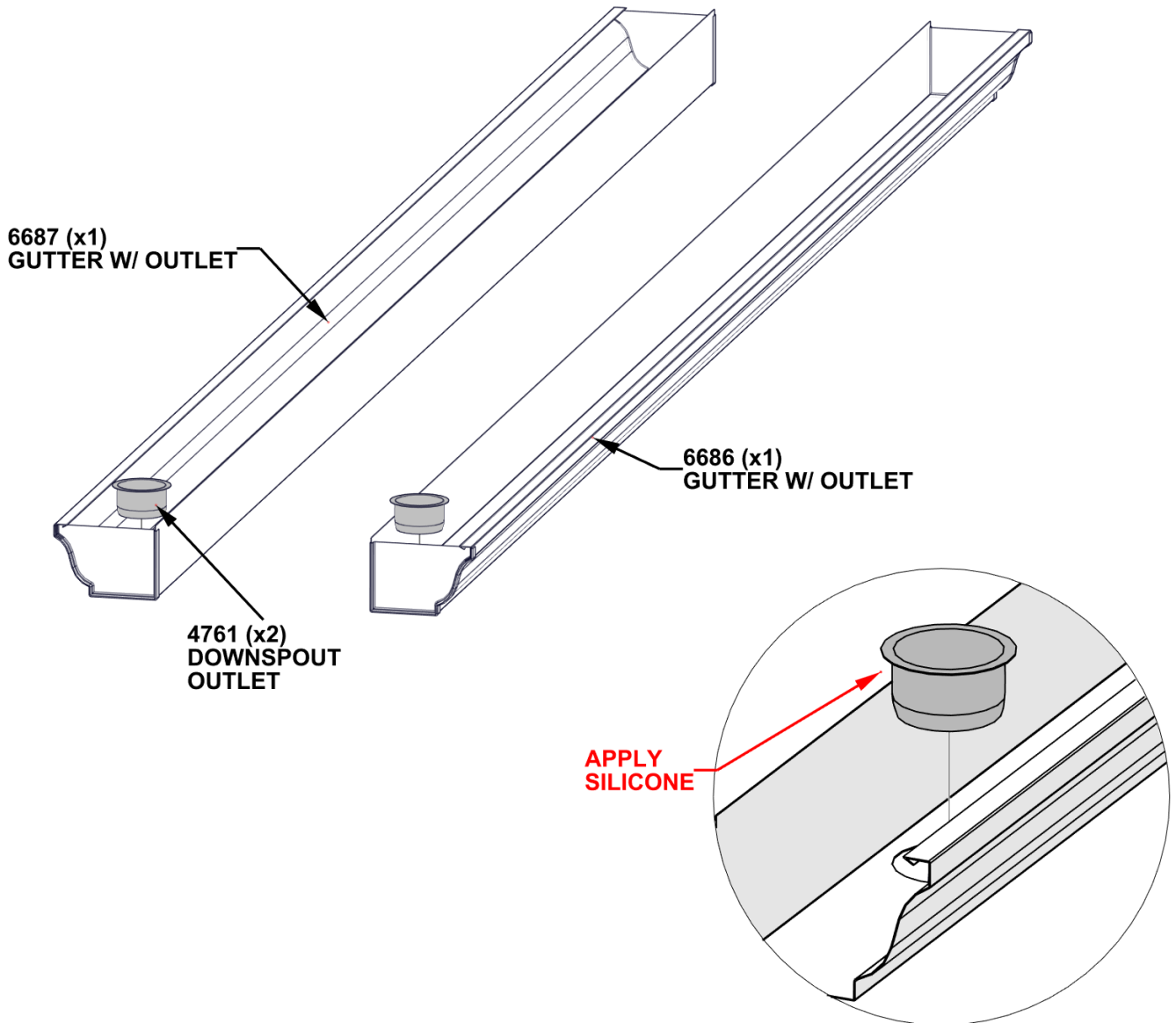


A4M04761 DOWNSPOUT OUTLET  
(x)



A4M06686 GUTTER W/ OUTLET  
(x1)

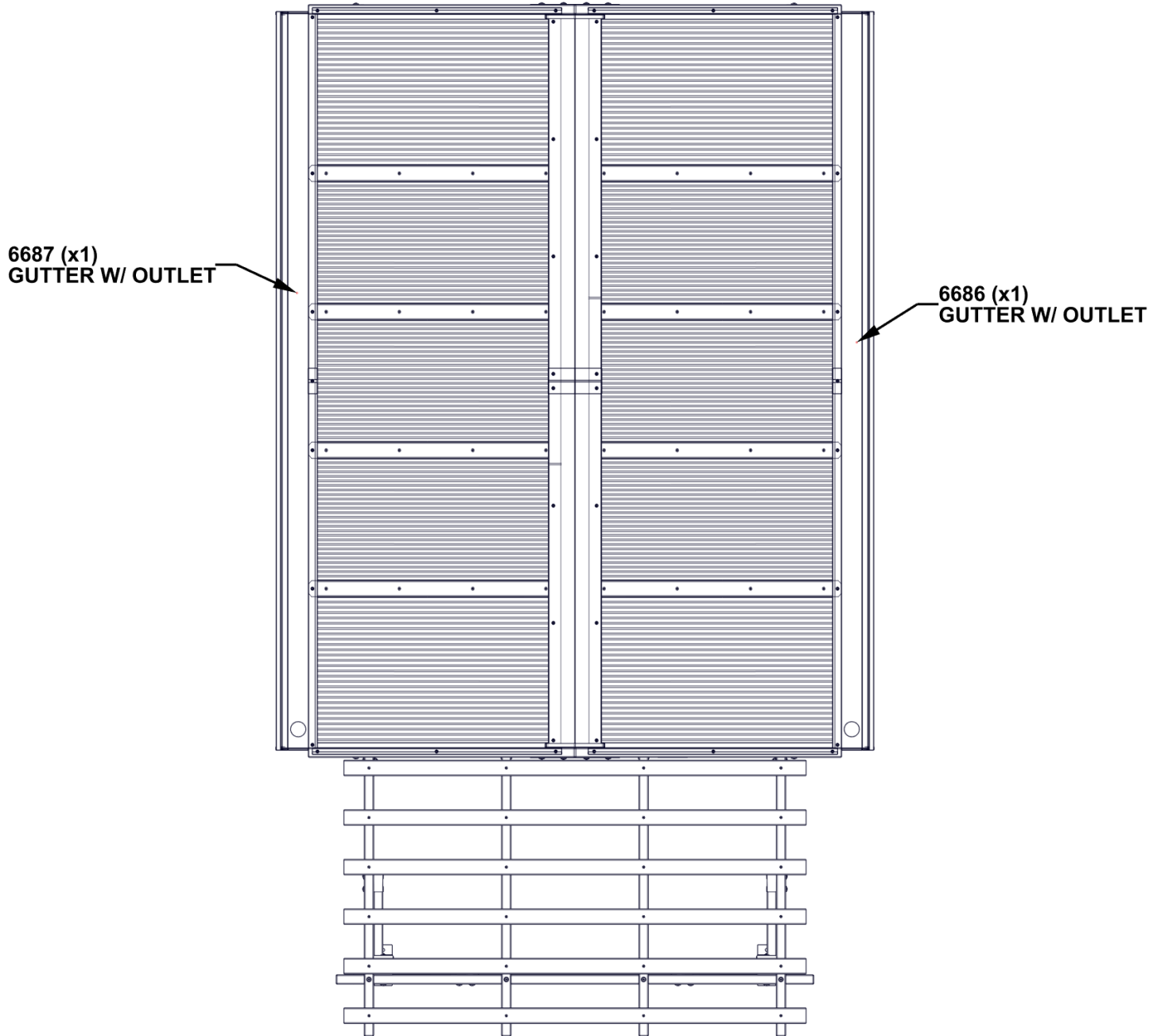
- APPLY A BEAD OF SILICONE UNDER THE LIP OF THE DOWNSPOUT OUTLET AND PLACE OUTLET INSIDE GUTTER.



**TIP: PRESSURE MAY NEED TO BE APPLIED TO GET OUTLET INTO POSITION. USE A WET FINGER TO FLATTEN SILICONE AFTER INSTALLED.**

# STEP 3 - GUTTER ASSEMBLY

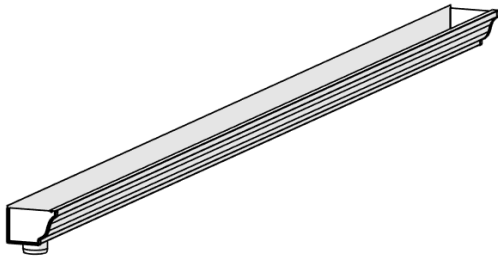
LAY GUTTERS AROUND GREENHOUSE TO DETERMINE WHERE GUTTERS AND DOWNSPOUTS WILL BE INSTALLED. GUTTER OUTLETS ARE LOCATED ON THE FRONT POSTS.



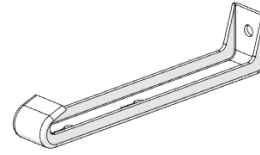
ATTENTION: GUTTERS CAN BE INSTALLED WITH DOWNSPOUTS ON BACK POSTS BY SWAPPING A4M06686 WITH A4M06687. KEEP TRACK OF NOTES IN INSTRUCTIONS IF DOWNSPOUTS ARE ROTATED.

# STEP 4 - GUTTER ASSEMBLY

QTY	PART NUMBER	DESCRIPTION
2	H101480	SCREW SELF TAPPING #9x1 BLK

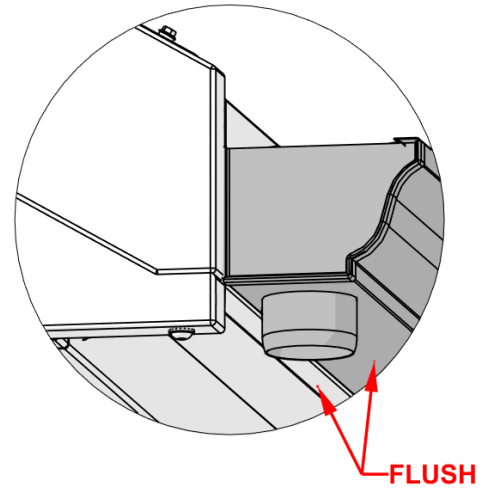
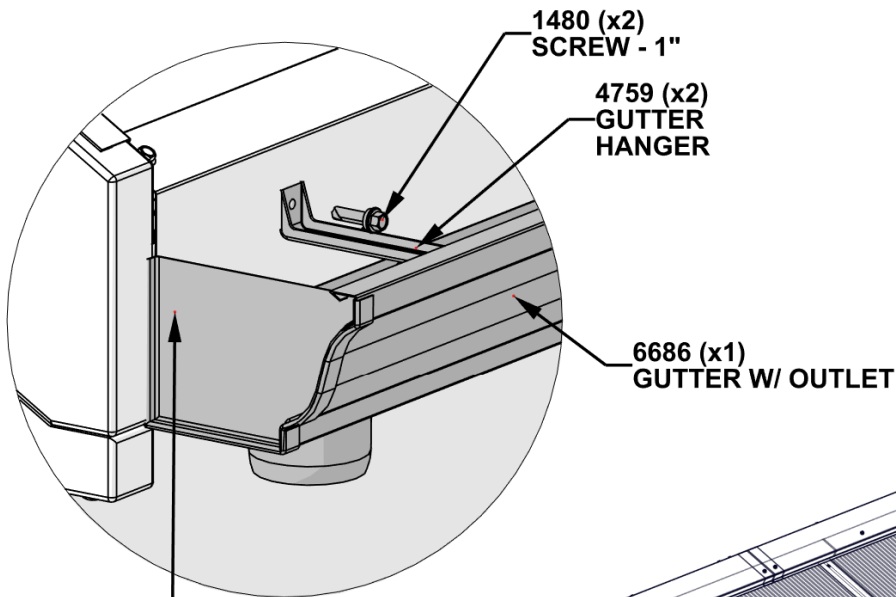


A4M06686 GUTTER W/ OUTLET  
(x1)

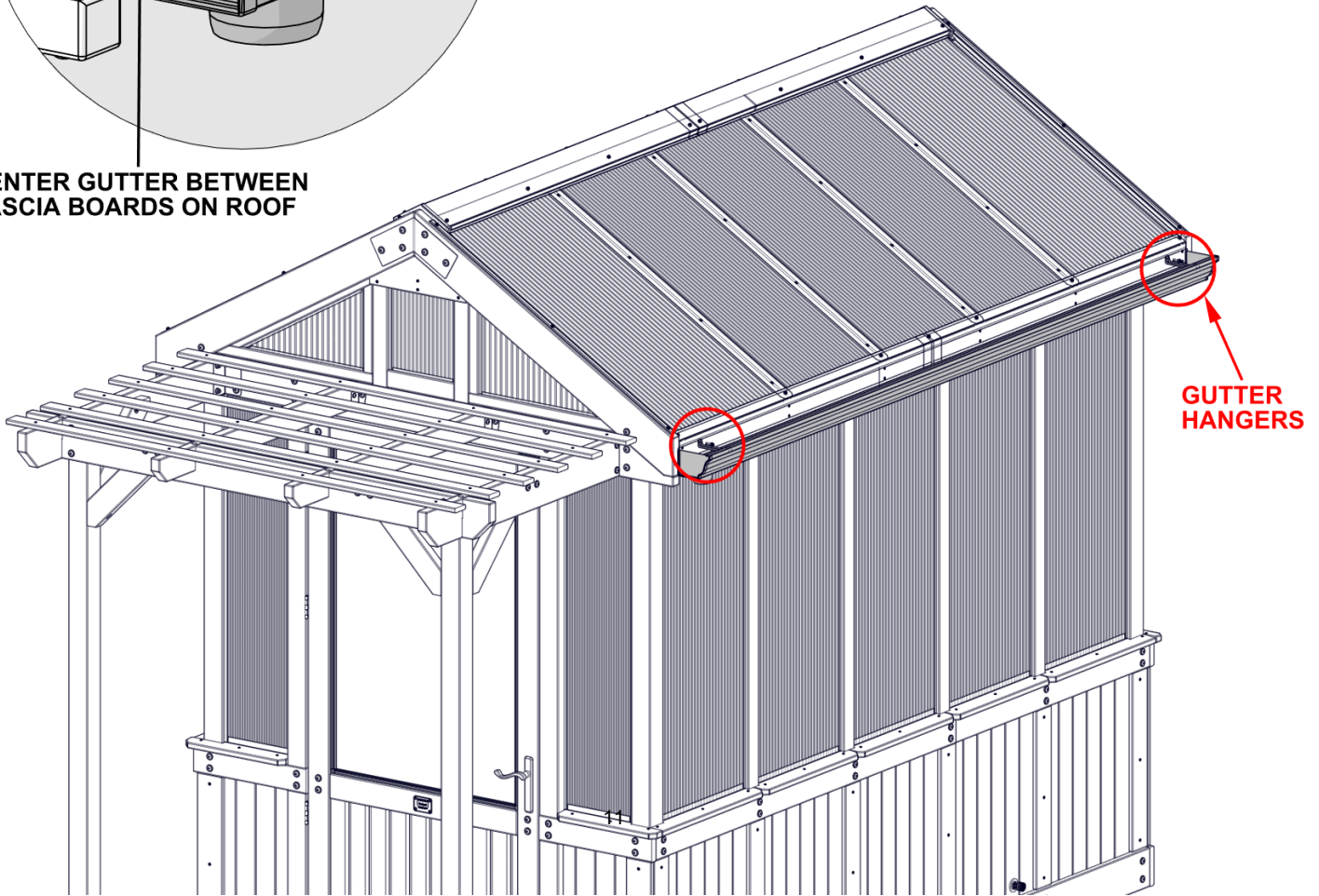


A4M04759 GUTTER HANGER  
(x2)

- SLIDE GUTTER BEHIND EDGE TRIM AND FLUSH GUTTER WITH WOOD BOARD.
- CENTER GUTTER TO THE GREENHOUSE ROOF. ENSURE DOWNSPOUT OUTLET IS CENTERED WITH POST.
- THE OUTSIDE HANGERS SHOULD BE APPROXIMATELY 4" [100mm] FROM INSIDE OF GUTTER.
- USE A CLAMP TO HOLD GUTTER TO WOODEN BEAM FOR ASSISTANCE.
- PRE-DRILL 1/8" [3mm] PILOT HOLES FOR EASE OF ASSEMBLY.

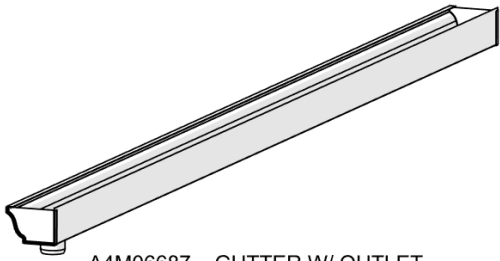


CENTER GUTTER BETWEEN  
FASCIA BOARDS ON ROOF

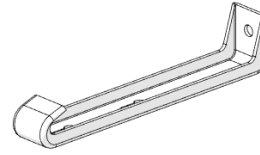


# STEP 5 - GUTTER ASSEMBLY

QTY	PART NUMBER	DESCRIPTION
2	H101480	SCREW SELF TAPPING #9x1 BLK

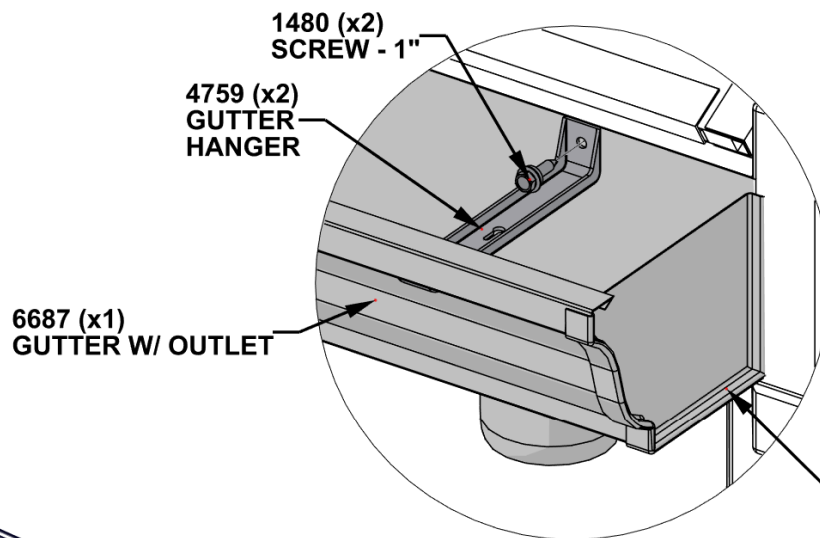


A4M06687 GUTTER W/ OUTLET  
(x1)



A4M04759 GUTTER HANGER  
(x2)

- SLIDE GUTTER BEHIND EDGE TRIM AND FLUSH GUTTER WITH WOOD BOARD.
- CENTER GUTTER TO THE GREENHOUSE ROOF. ENSURE DOWNSPOUT OUTLET IS CENTERED WITH POST.
- THE OUTSIDE HANGERS SHOULD BE APPROXIMATELY 4" [100mm] FROM INSIDE OF GUTTER.
- USE A CLAMP TO HOLD GUTTER TO WOODEN BEAM FOR ASSISTANCE.
- PRE-DRILL 1/8" [3mm] PILOT HOLES FOR EASE OF ASSEMBLY.



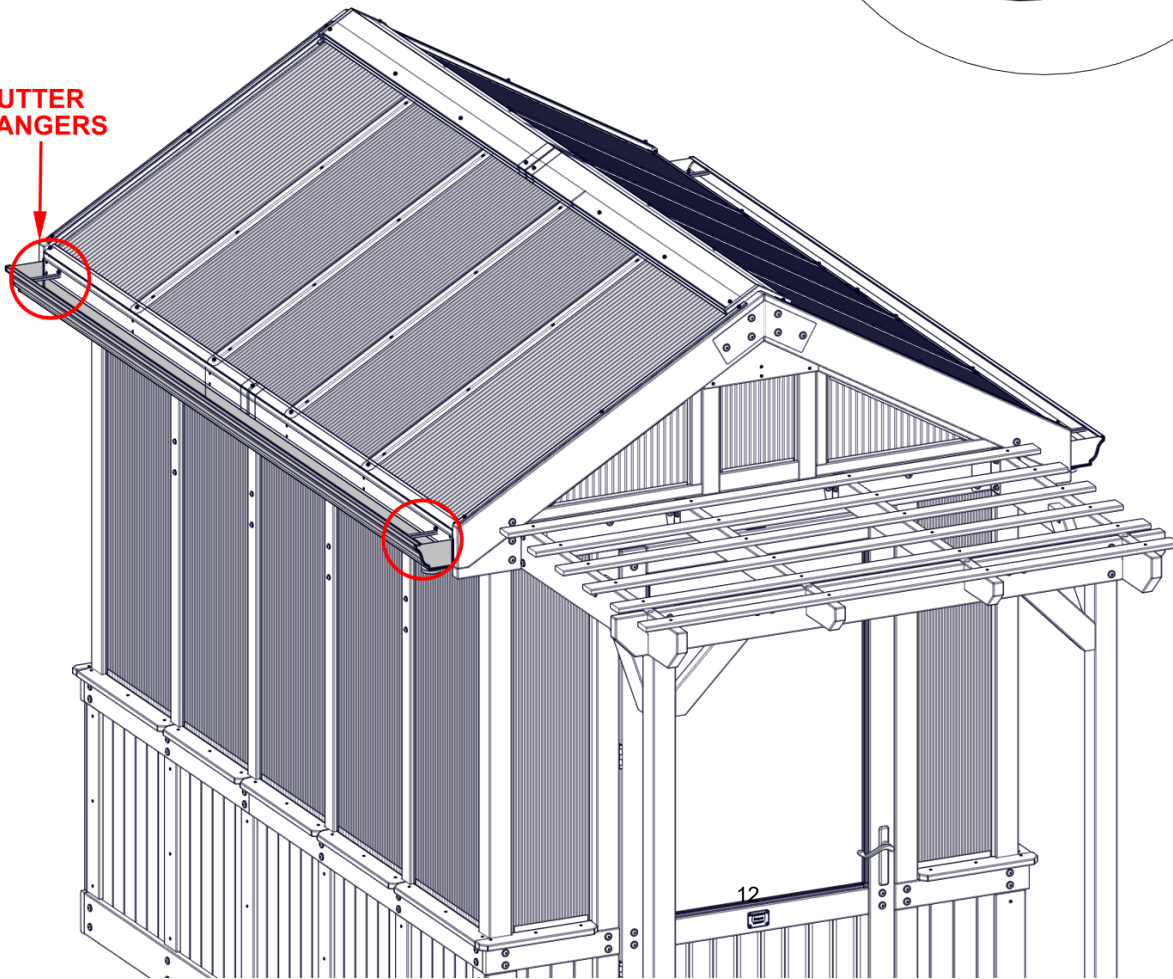
1480 (x2)  
SCREW - 1"

4759 (x2)  
GUTTER  
HANGER

6687 (x1)  
GUTTER W/ OUTLET

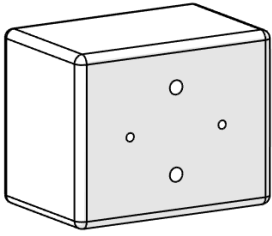
CENTER GUTTER AND  
FLUSH BOTTOM OF  
GUTTER WITH  
BOTTOM BOARD

GUTTER  
HANGERS

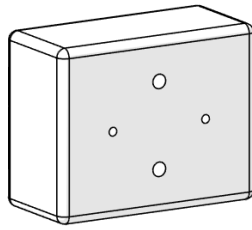


# STEP 6 - GUTTER ASSEMBLY

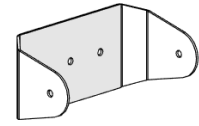
QTY	PART NUMBER	DESCRIPTION
4	H100362	SCREW PFH 8x3 BLK
4	H101205	SCREW PWH 8x15x3/4 BLK



AA02 GUTTER SPACER - W4L21320  
(x2) 1 15/16"x2 3/8"x3" (50x60x76)

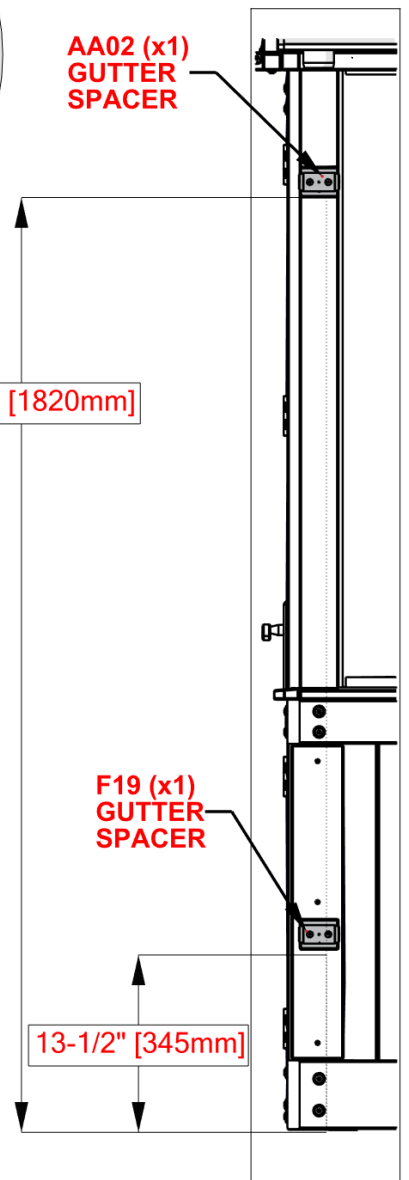
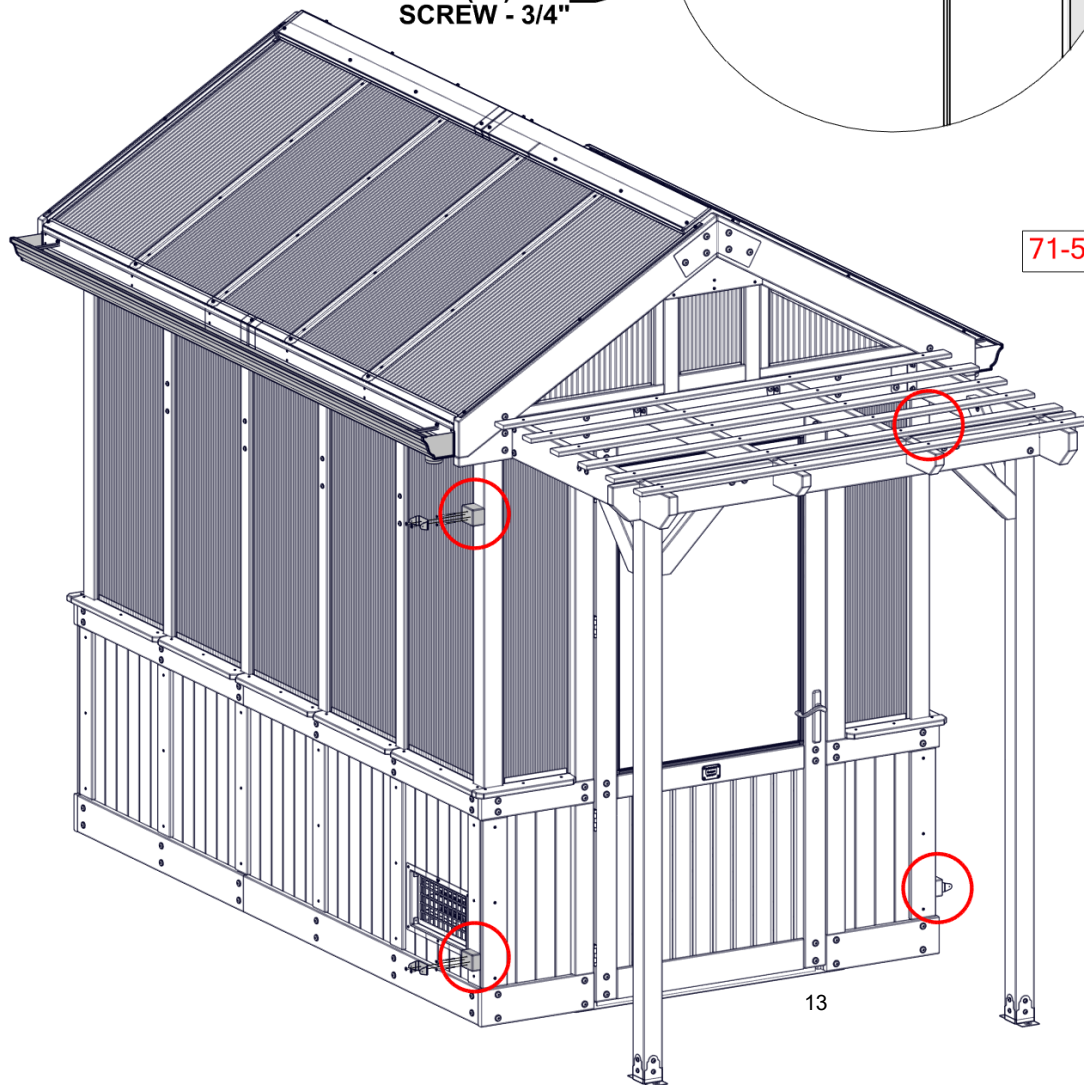
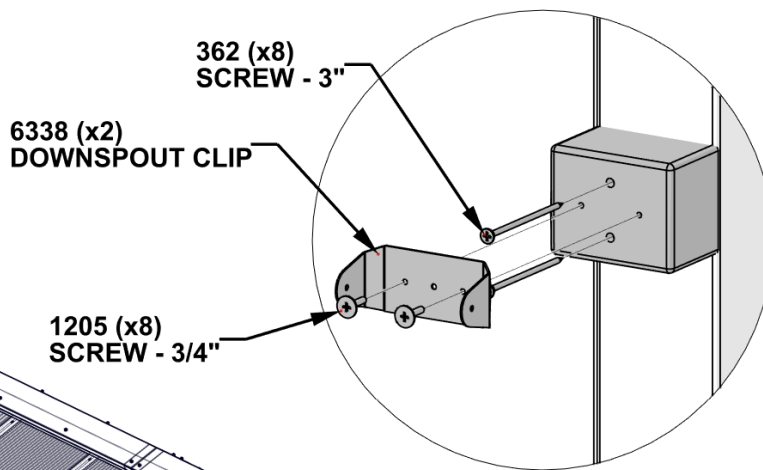


F19 GUTTER SPACER - W4L21461  
(x2) 1 7/16"x2 3/8"x3" (36x60x76)

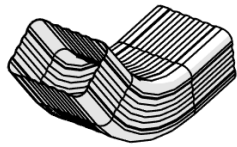


A4M06338 GUTTER CLIP  
(x4)

- ALIGN PILOT HOLES.
- AA02 SPACER GOES ON TOP, F19 SPACER GOES ON BOTTOM.
- IT IS IMPORTANT TO CENTER 6338 CLIP AND HARDWARE ON POST.
- COMPLETE AT BOTH CORNERS.



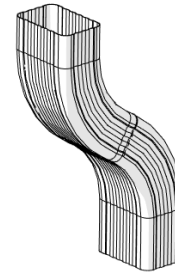
# STEP 7 - GUTTER ASSEMBLY



A4M05880 DOWNSPOUT ELBOW - LONG  
(x2)

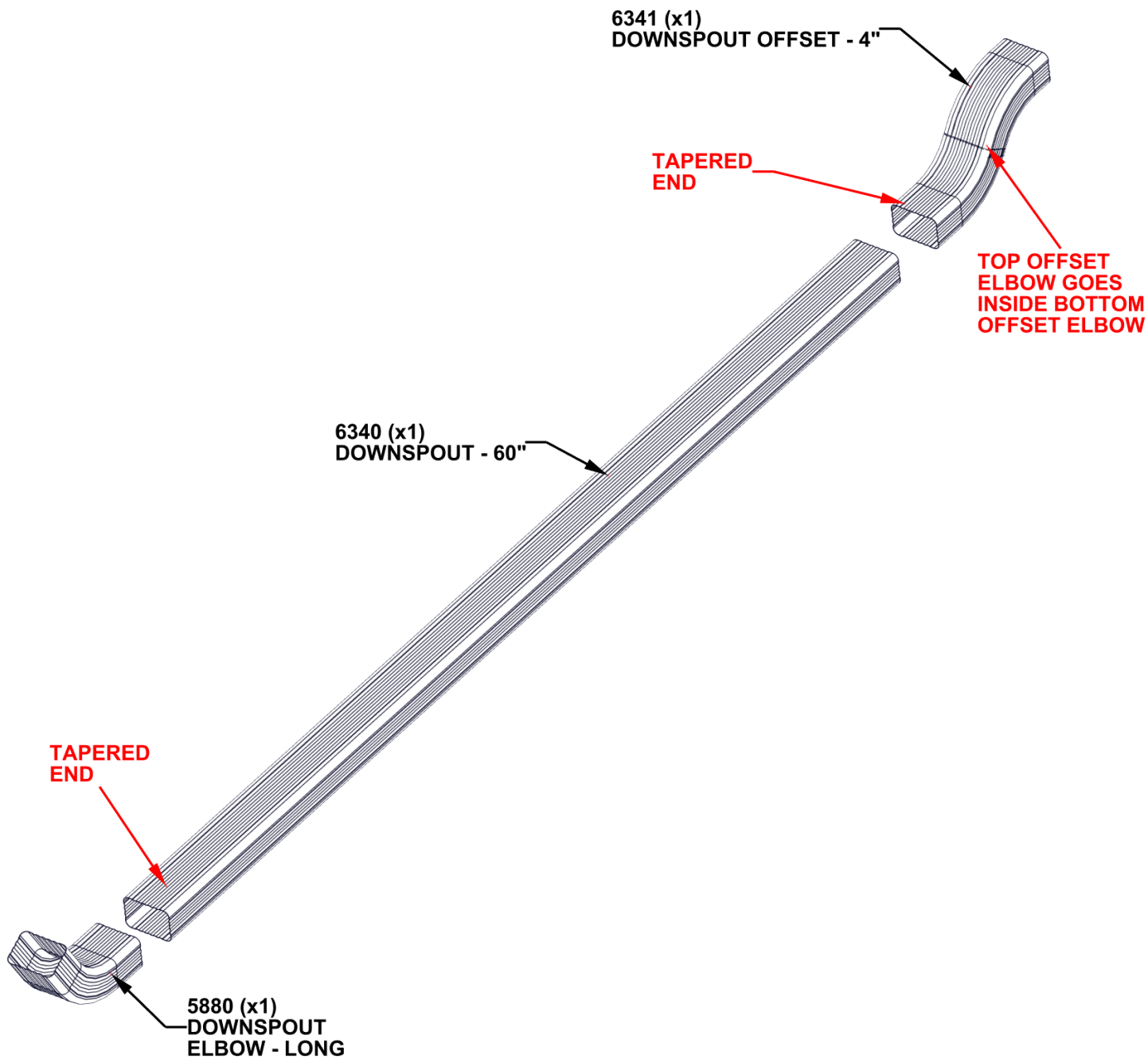


A4M06340 DOWNSPOUT - 60"  
(x2)



A4M06341 DOWNSPOUT OFFSET - 4"  
(x2)

- INSERT TAPERED ENDS INTO LARGER ENDS.
- NOTE ORIENTATION OF DOWNSPOUT OFFSET. SEE DOWNSPOUT OFFSET PAGE FOR DETAIL.
- COMPLETE THIS STEP 2 TIMES.



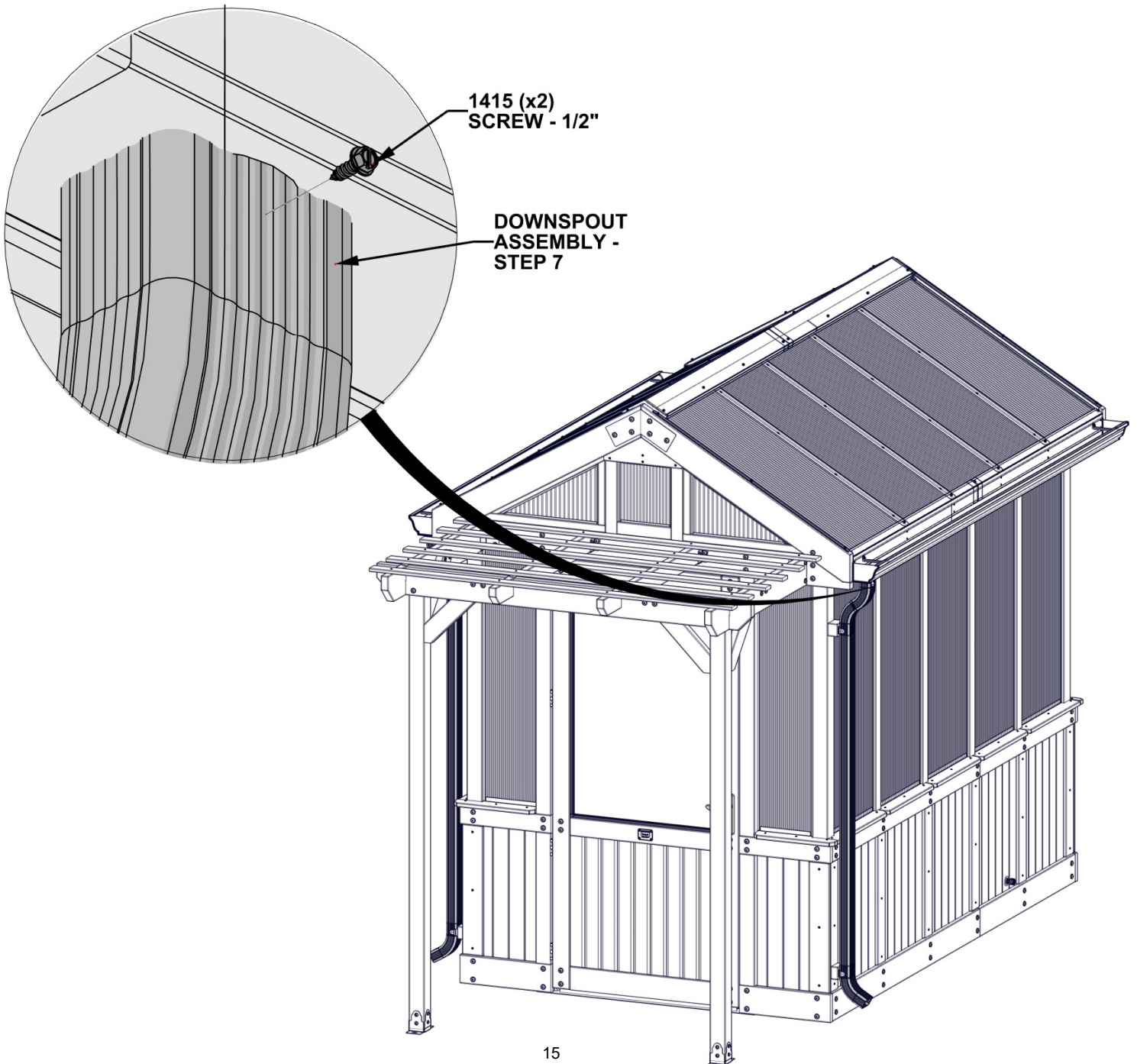
# STEP 8 - GUTTER ASSEMBLY

QTY	PART NUMBER	DESCRIPTION
2	H101415	SCREW SELF PIERCING #8x1/2 BRN



DOWNSPOUT ASSEMBLY - STEP 7  
(x2)

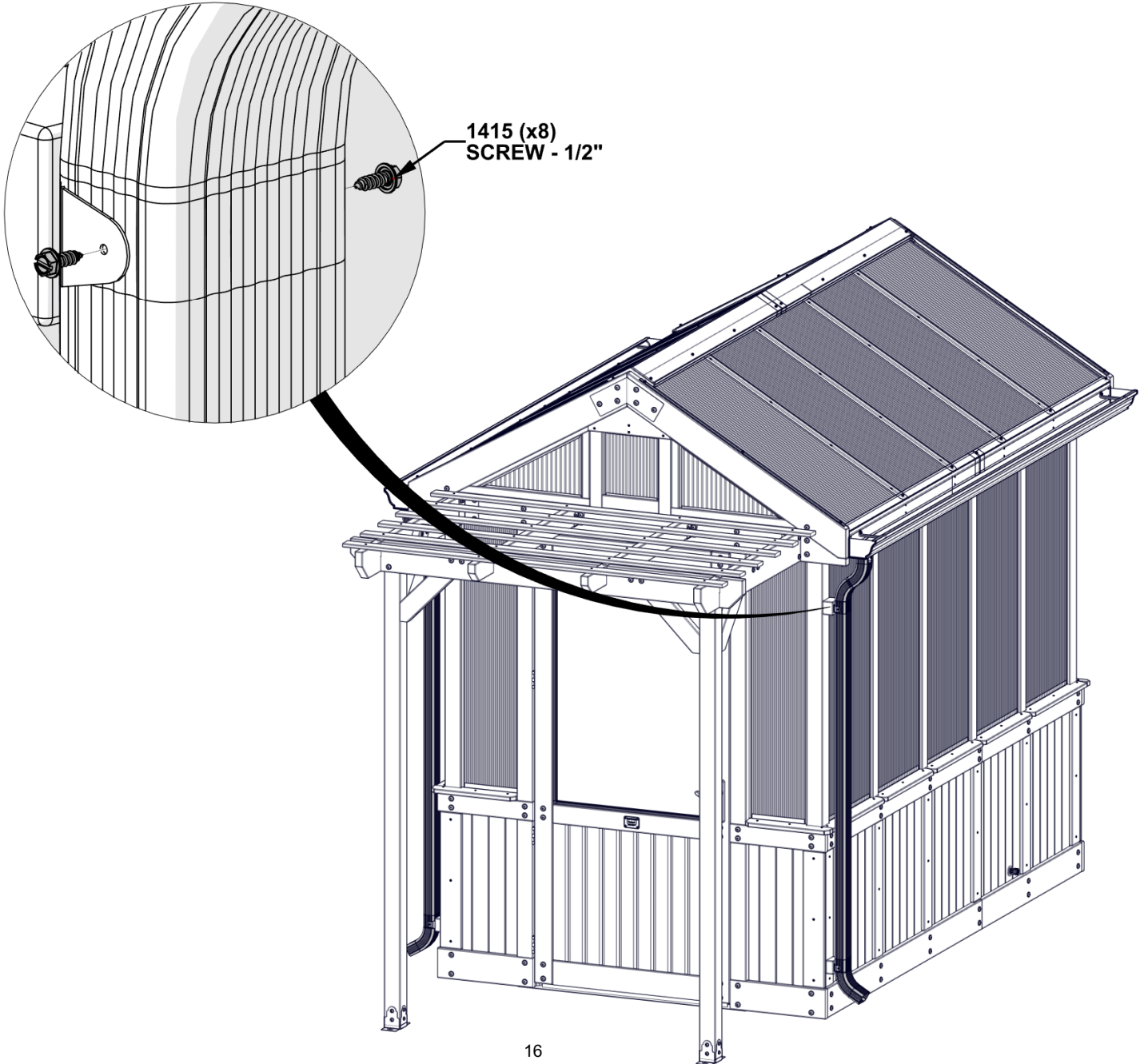
- FASTEN DOWNSPOUT TO DOWNSPOUT OUTLET USING HARDWARE PROVIDED.
- COMPLETE THIS STEP AT BOTH DOWNSPOUT OUTLETS.
- DOWNSPOUT WILL NOT REST ON THE GROUND, THERE WILL BE FLOATING SPACE.



# STEP 9 - GUTTER ASSEMBLY

QTY	PART NUMBER	DESCRIPTION
8	H101415	SCREW SELF PIERCING #8x1/2 BRN

- FASTEN DOWNSPOUT CLIP TO DOWNSPOUT.
- COMPLETE THIS STEP FOR BOTH DOWNSPOUTS.



# STEP 10 - GUTTER ASSEMBLY

QTY	PART NUMBER	DESCRIPTION
6	H101480	SCREW SELF TAPPING #9x1 BLK

- ATTACH ALL REMAINING GUTTER HANGERS.
- IT IS RECOMMENDED TO ATTACH THE MIDDLE HANGER FIRST THEN ATTACH THE REMAINING HANGER.
- ENSURE HANGERS ARE EVENLY SPACED.

