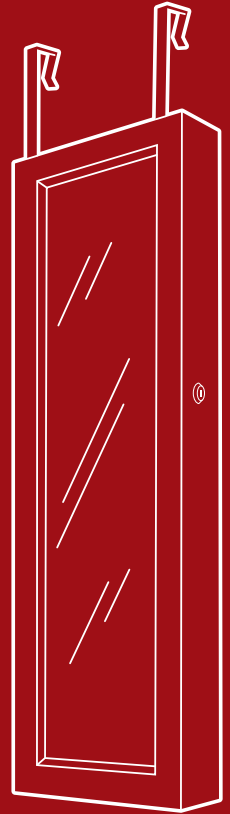




BEST CHOICE
PRODUCTS



INSTRUCTION MANUAL

Hanging Mirrored Jewelry Armoire
with Interior Lights

! NOTICE

Please retain these instructions for future reference.

- Firmly secure all bolts, screws and knobs before use.
- Reconfirm that all bolts, screws, and knobs are secure every 90 days.
- Do not use or store this item in the proximity of open flame or flammable/combustible chemicals.
- If any parts are missing, broken, damaged, or worn, stop using this product until repairs are made and/or factory replacement parts are installed.
- Do not use this item in a way inconsistent with the manufacturer's instructions as this could void the product warranty.
- This product contains small parts for mounting. Keep pets and children away when mounting or hanging.
- This product is intended for residential use only.

REQUIRED



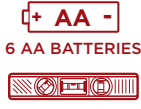
PHILLIPS
SCREWDRIVER



DRILL BIT
WITH DRILL



PENCIL
& RULER



6 AA BATTERIES



LEVELER
(OPTIONAL)



25 LBS
CAPACITY

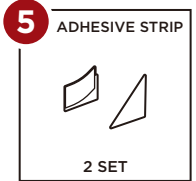
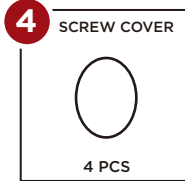
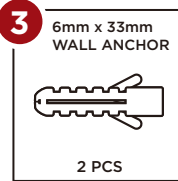
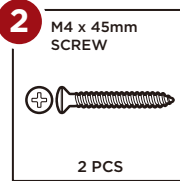
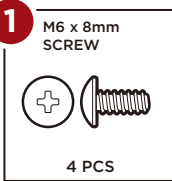


1 PERSON
ASSEMBLY

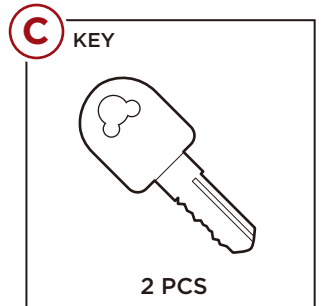
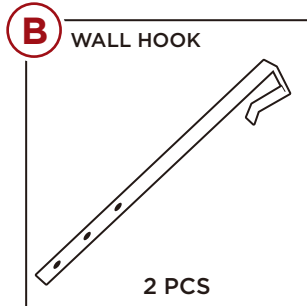
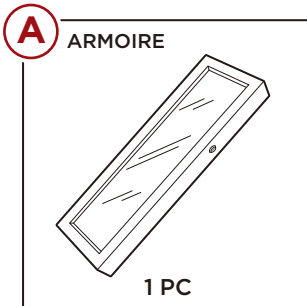


UP TO 15 MIN.
ASSEMBLY

HARDWARE

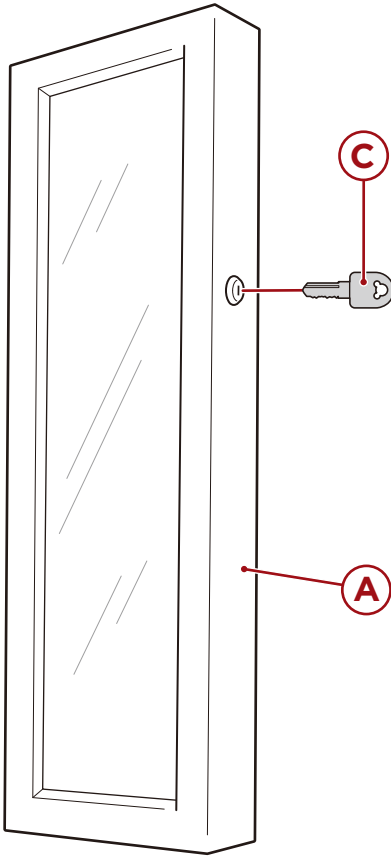


PARTS

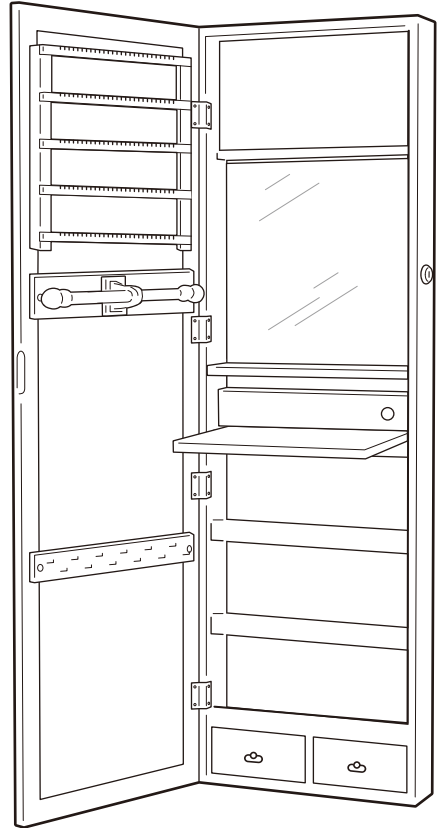


PRODUCT FEATURES

- This product can be mounted to a wall OR hung over a door.
- The **part C key** is used to lock and unlock the cabinet door.



LOCKED



UNLOCKED

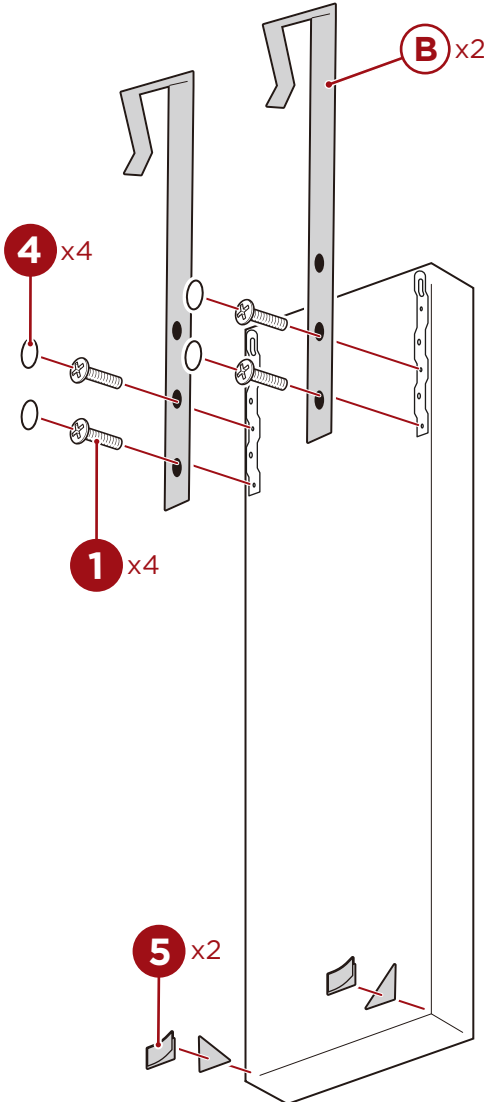
HANGING INSTRUCTIONS

1

Align holes on back of armoire with holes on **part B hooks**. You may choose which holes on hooks to use.

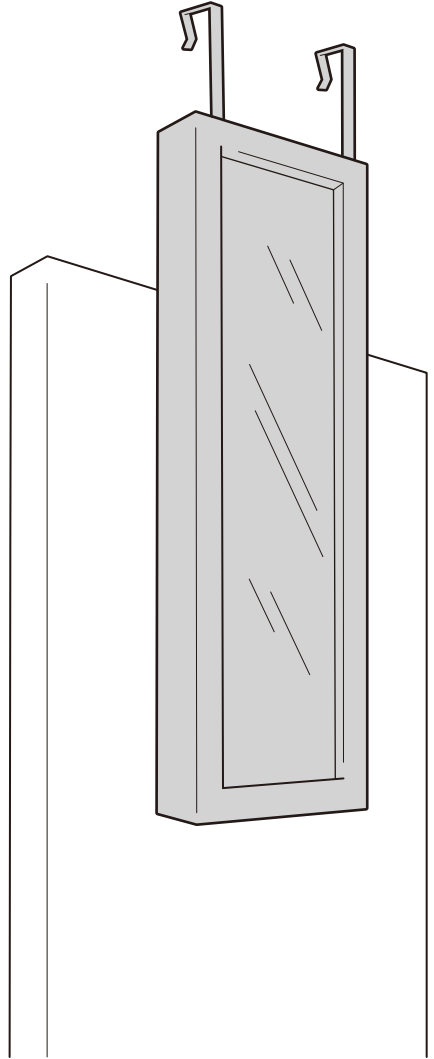
Attach the hooks to the armoire with four **part 1 screws**. Place four **part 4 screw covers** over the screws.

Place the **part 5 adhesive strips**.



2

Hang the armoire over a door.

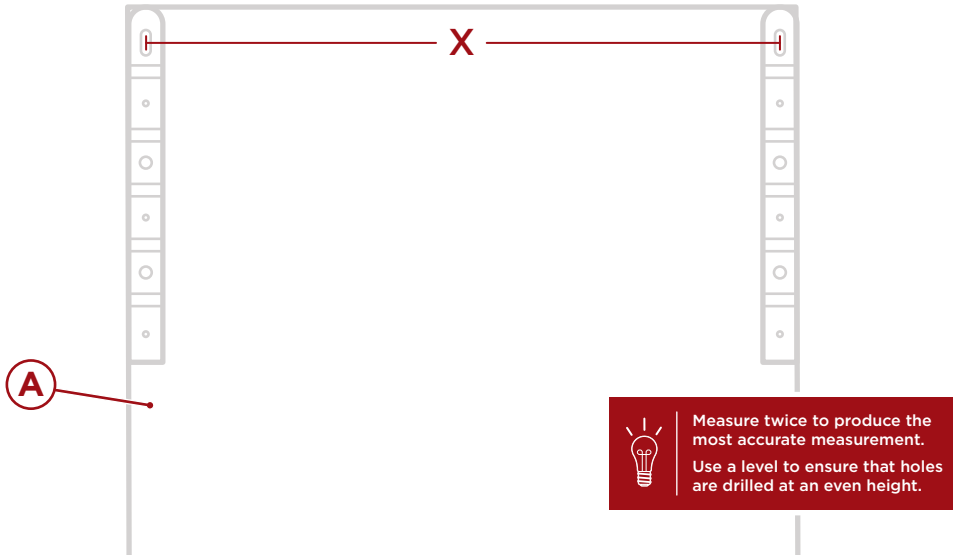


WALL MOUNTING INSTRUCTIONS

1

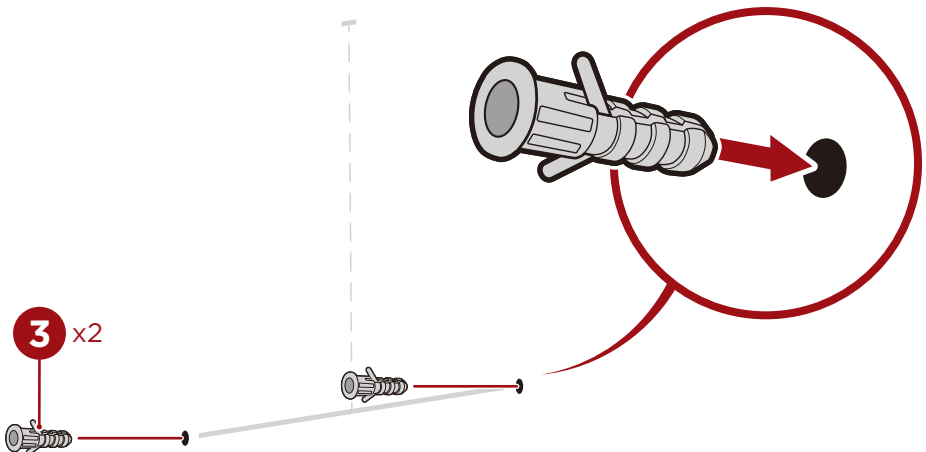
Measure the distance between the hang holes on the back of the armoire for the **X** measurement. Use a pencil and ruler to replicate your measurements on a wall for the placement of the armoire.

BACK VIEW



2

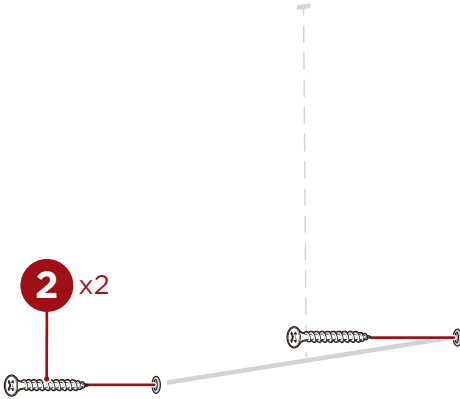
Use an electric drill to drill two screw holes. Insert two **part 3 wall anchors** into the holes.



WALL MOUNTING INSTRUCTIONS

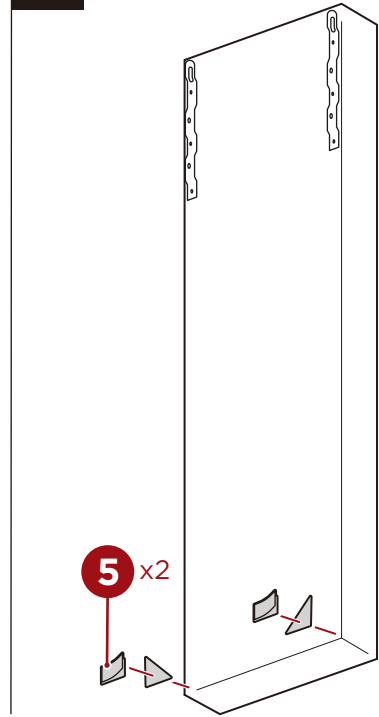
3

Screw two **part 2 screws** into the wall anchors. Do not insert the screws completely into the wall; leave some of the screw exposed to hang the armoire.



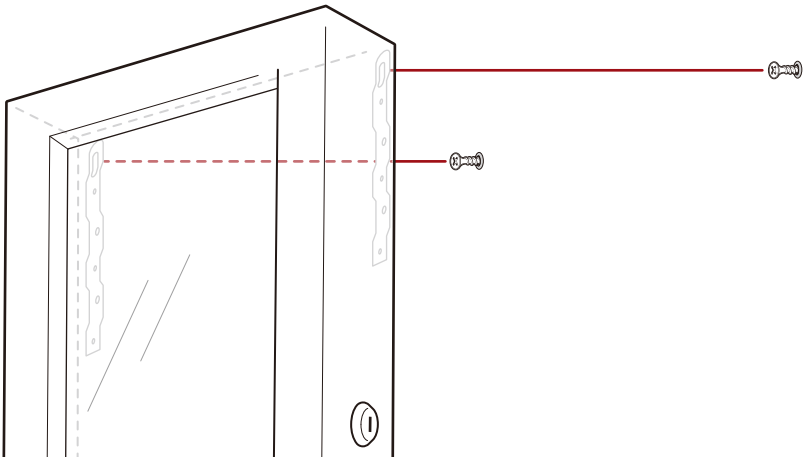
4

Place the **part 5 adhesive strips** on the back of the armoire.



5

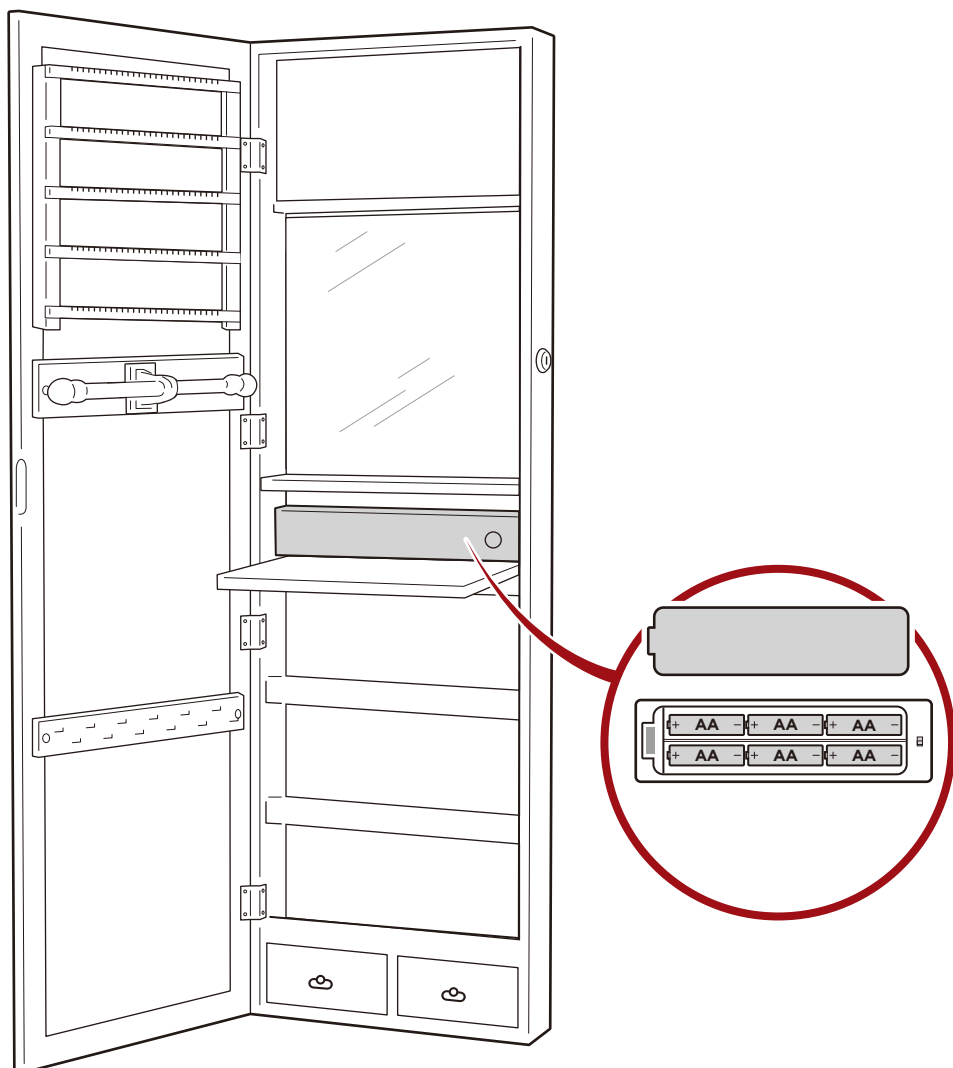
Carefully hang the armoire on the exposed screws.



INSTALLING BATTERIES

This armoire requires a total of 6 AA batteries.

- Fold open the table, remove the cover, and install 6 AA batteries in the compartment below the inside mirror. Flip the power switch, then fold/unfold the table to turn the inside LEDs on/off.





HELP CENTER



Question about your product? We're here to help. Visit us at:

help.bestchoiceproducts.com



Chat Support



Product Inquiry



Orders FAQ



Product Assembly



Returns & Refunds

PRODUCT WARRANTY INFORMATION

All items can be returned for any reason within 60 days of the receipt and will receive a full refund as long as the item is returned in its original product packaging and all accessories from its original shipment are included. All returned items will receive a full refund back to the original payment method. All returned items will not be charged a re-stocking fee.

All returned items require an RA (Return Authorization) number, which can only be provided by a Best Choice Products Customer Service Representative when the return request is submitted. Items received without an RA may not be accepted or may increase your return processing time. Once an item has been received by Best Choice Products, refunds or replacements will be processed within 5 business days.

All returns must be shipped back to the Best Choice Products Return Center at the customer's expense. If the reason for return is a result of an error by Best Choice Products then Best Choice Products will provide a pre-paid shipping label via email. Boxes for return shipping will not be provided by Best Choice Products, and is the customer's responsibility to either use the original shipping boxes or purchase new boxes.

Pictures may be required for some returns to ensure an item is not damaged prior to its return. Items returned are not considered undamaged until they are received by Best Choice Products and verified as such. All damages to items are the customer's responsibility until the item has been received by and acknowledged by Best Choice Products as undamaged.

© 2023 Best Choice Products, Inc. All rights reserved. Distributed by Best Choice Products, Inc. Tustin, CA 92780

WARNING

Manufacturer and seller expressly disclaim any and all liability for personal injury, property damage or loss, whether direct, indirect, or incidental, resulting from the incorrect attachment, improper use, inadequate maintenance, unapproved modification, or neglect of this product.