

Product Submittal	
Name	
Date	
Architect/Owner	
Contractor	
Tag	
Notes	

HoldRite™ HR-IM Ice Maker and HR-AF Appliance/Fixture Outlet Boxes

Product Specification

HoldRite™ Ice Maker and Appliance/Fixture Outlet Boxes are designed for use in commercial and residential applications and allow for installation of water supply valves during the rough-in phase. Valves come in locked position and can be installed upright or inverted for top or bottom supplied water lines. Can be installed directly to a stud via flange holes or between studs using a HYCO bar or HoldRite™ 170. Outlet Box Assemblies include a lead-free brass shut-off valve with quarter-turn handle and 1/4" (Ice Maker) or 3/8" (Appliance/Fixture) threaded compression connection. Can be used with Copper, PEX, or CPVC. Face plate included. Optional integral water hammer arrestors for water shock wave prevention available. Fire-rated version available.

Materials

Shut-off Valve:

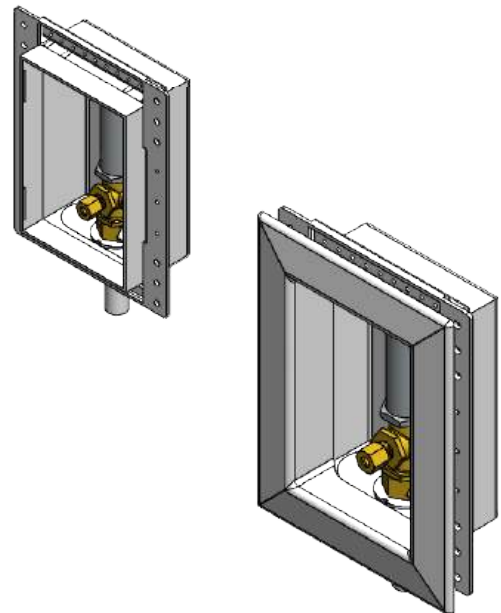
- Body: Corrosion resistant DZR LF Brass (Appliance/Fixture chrome-plated)
- Stem: Corrosion resistant DZR LF Brass
- Ball: Chrome-plated DZR LF Brass
- Seat: PTFE
- O-rings: EPDM Rubber
- Handle: Corrosion resistant AL Alloy
- Screw: Stainless Steel
- Nut: Brass (Appliance/Fixture chrome-plated)
- Ferrule: Brass

Arrestor: Stainless Steel, DZR LF Brass

Box: ABS

Face Plate: ABS (paintable)

Drain Funnel: ABS



Valve Performance

Maximum working temperature: 160 °F

Maximum working pressure: 125 PSI

Codes and Listings

Box: IAPMO PS54

Valves: ASME A112.18.1/CSA125.1, NSF/ANSI 14, NSF/ANSI/CAN 61, NSF/ANSI/CAN 372

[Q] This product meets the reduced Q test statistic criteria of 0.5 µg for lead per Section 9.5.1.1 of NSF/ANSI/CAN 61.

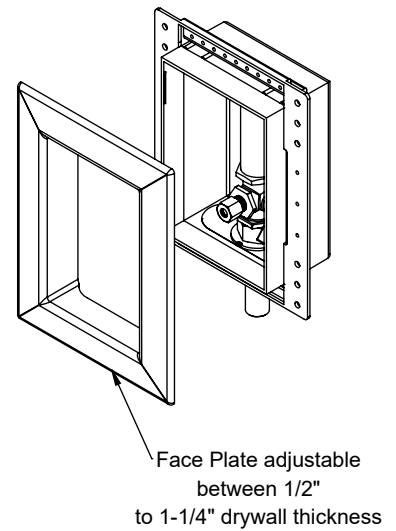
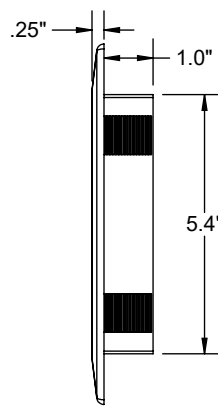
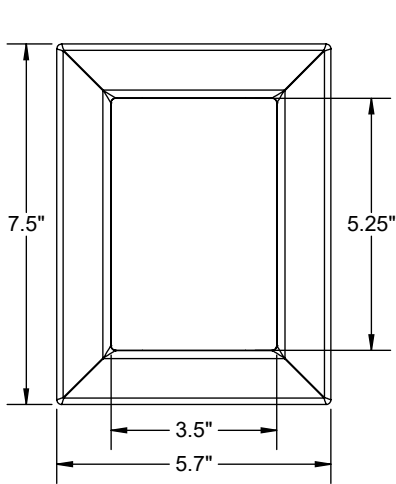
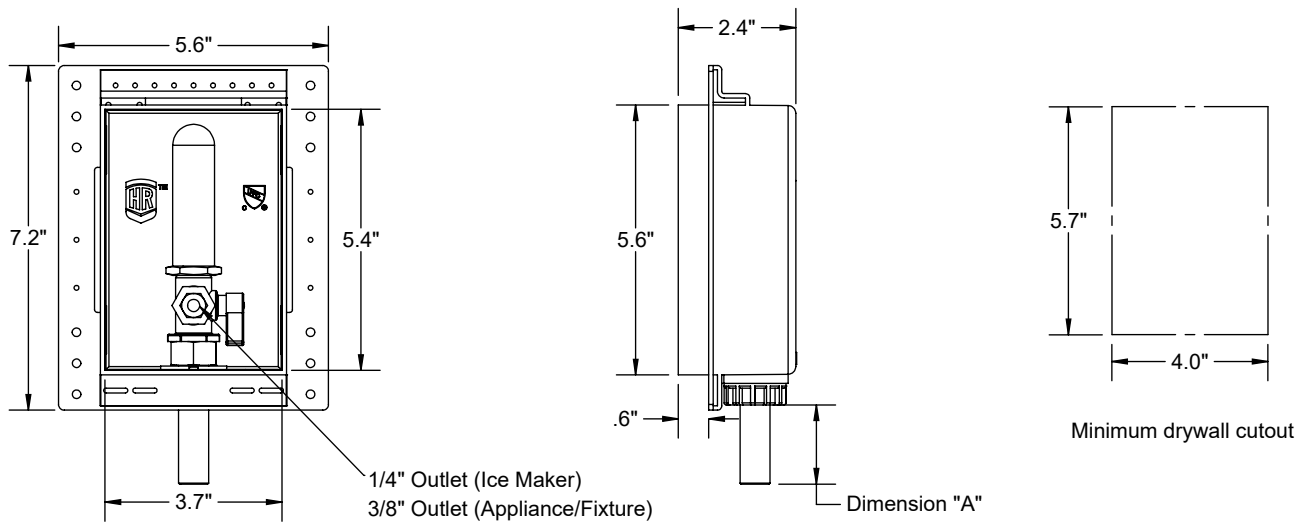
Arrestors: ASSE1010

PEX-A Tubing: ASTM F876, ASTM F877, CSA B137.5 and listed for approval with the following connection methods: ASTM F1807/F2098/F1960/F2159/F3447/F3448

Copper Type L Tubing: ASTM B88

CPVC Tubing: ASTM D2486

Dimensions



Part Number	Outlet Size	Water Hammer Arrestor	Tube Type	Dimension "A"
<input type="checkbox"/> HR-IM-P-0	1/4"	-	1/2" CTS PEX-A	1.60" Min.
<input type="checkbox"/> HR-IMA-P-0		✓		
<input type="checkbox"/> HR-AF-P-1	3/8"	-		
<input type="checkbox"/> HR-AFA-P-1		✓		
<input type="checkbox"/> HR-IM-M-0	1/4"	-	1/2" CTS Copper Type L	2.50" Min.
<input type="checkbox"/> HR-IMA-M-0		✓		
<input type="checkbox"/> HR-AF-M-1	3/8"	-		
<input type="checkbox"/> HR-AFA-M-1		✓		
<input type="checkbox"/> HR-IM-C-0	1/4"	-	1/2" CTS CPVC	1.60" Min.
<input type="checkbox"/> HR-IMA-C-0		✓		
<input type="checkbox"/> HR-AF-C-1	3/8"	-		
<input type="checkbox"/> HR-AFA-C-1		✓		