



Sloan® Sensor Flushometer

SLOAN 111 ESS-1.28-CP-TMO-24V

Product description

1.28 gpf, Polished Chrome Finish, Fixture Connection Top Spud, Single Flush, True Mechanical Override, Hardwired, Sensor-Operated, 24V, Sloan® Exposed Sensor Hardwired Water Closet Flushometer.

Compliances & Certifications



(ADA Compliant, BAA Compliant, BABAA Compliant, BREEAM Water Credit, cUPC Green Certified, Green Globes Water, IAPMO, LEED Water, Satisfies LEED Credits, UL Certified, USA, EPA WaterSense Listed)

Code 3770037

Finish

- Polished Chrome (CP)

Downloads

- [Sloan_Regal Concealed and Exposed Sensor Installation Instructions.pdf](#)
- [Control Stop Repair and Maintenance Guide.pdf](#)
- [Flush Connections Flanges Repair and Maintenance Guide.pdf](#)
- [Additional Downloads](#)

Videos

- [ESS Flushometer](#)

Details

- Flush Volume: 1.28 gpf (4.8 lpf)
- Finish: Polished Chrome (CP)
- Power Type: Hardwired (HW)
- Valve: Diaphragm
- Valve Body Material: Semi-red Brass
- Fixture Type: Water Closet
- Fixture Connection: Top Spud
- Rough-in Dimension: 11.5" (292mm)
- Spud Coupling: 1.5" (38mm)
- Supply Pipe: 1" (25mm)
- Override: True Mechanical (TMO)
- Voltage: 24V (24V)

Features

- Flush volumes start as low as 1.6 gpf/6.0 Lpf
- Water conservation is aided by the ADA-compliant, non-hold-open handle, which prevents toilet from exceeding intended flush volume
- Flush accuracy is controlled by CID™ technology, also enhancing water efficiency
- Integrity of the product is maintained with the vandal-resistant stop cap
- Durability is facilitated with high copper, low zinc brass castings for dezincification resistance
- Adjustable tailpiece to accommodate different height requirements
- High chloramine resistant PERMEX® Synthetic Rubber Diaphragm with Linear Filtered Bypass and Vortex Cleansing Action
- Valve body, Cover, Tailpiece and Control Stop shall be in compliance with ASTM Alloy Classification for Semi-Red Brass
- Valve shall be in compliance to the applicable sections of ASSE 1037

Recommended specifications

Valve Body, Cover, Tailpiece and Control Stop shall be in conformance with ASTM Alloy Classification for Semi-Red Brass. Valve shall be in compliance with the applicable sections of ASSE 1037 and ANSI/ASME 112.19.2.

Electrical specifications

- Arming Delay: 16 seconds
- Control Circuit:
 - Solid State
 - 24 VAC Input
 - 24 VAC Output
- Flush Delay: 3 seconds
- Sensor Range: 22"-42" (559 - 1067mm)
- Self-Adaptive Window: ±10"
- Solenoid Operator: 24 VAC
- Transformers (Specify Separately):
 - EL-154/0345154
 - EL-342/0345999

Valve Operating Pressure (Flowing)

15-80 psi (103 - 552 kPa). Specific fixtures may require greater minimum flowing pressure - consult manufacturer requirements.

Warranty

[View Warranty Information](#)

Notes

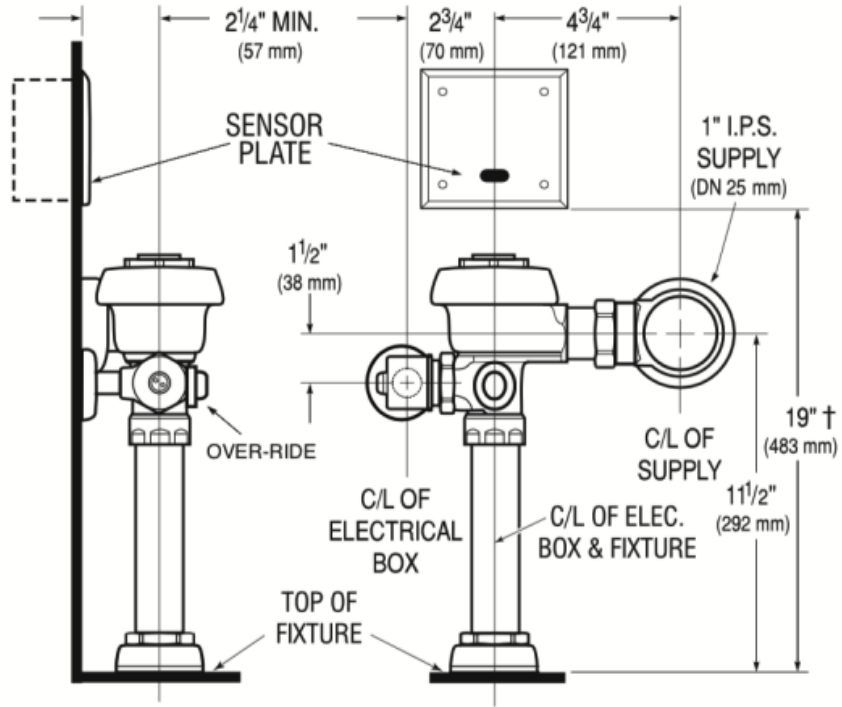
All information contained within this document subject to change without notice.

Looking for other variations of the SLOAN 111 ESS product? [View the general spec sheet with all options.](#)

[Find a compatible urinal](#) for this flushometer.

[Find a compatible water closet](#) for this flushometer.

WaterSense compliant when used with a 1.28 gpf (4.8 lpf) WaterSense fixture.



† Position of Sensor Box can be raised or lowered 1" (25 mm) if in conflict with Handicap Grab Bars.