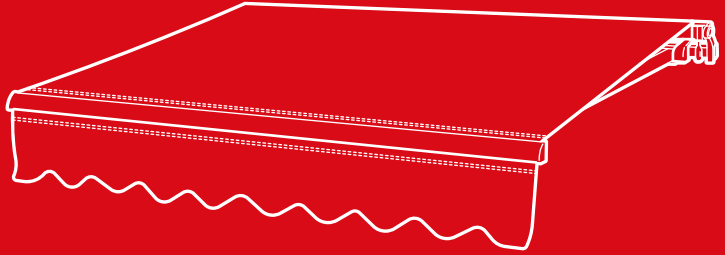




bestchoiceproducts



# INSTRUCTION MANUAL

---

98 x 80in Retractable Awning



bestchoiceproducts

---

As shoppers, we're always trying to find the perfect balance between quality & value. At BCP, we believe we've achieved that. Our diverse catalog of everyday essentials is tailored especially to our customers & guaranteed to hit that sweet spot of high quality & low price.

— Always. —

## ! NOTICE

Please retain these instructions for future reference.

- This item is not a toy. Do not let children play with this item.
- Do not hang on any part of this product. Refrain from hanging objects or clothes on any part of the awning.
- Routinely check if the brackets have become loose because of weather. Tighten any loose bolts.
- Fully retract the awning in windy conditions.
- If any parts are missing, broken, damaged, or worn, stop using this product until repairs are made and/or factory replacement parts are installed.
- Do not use this item in a way inconsistent with the manufacturer's instructions as this could void the product warranty.

## TOOLS REQUIRED

  
10mm MASONRY  
DRILL BIT

  
ELECTRIC  
DRILL

  
PENCIL  
& RULER

  
WRENCH


  
LEVELER

  
2 PERSON  
ASSEMBLY


  
UP TO 30 MIN.  
ASSEMBLY

## HARDWARE


**1** M10 x 60mm  
BOLT SET

  
2 PCS

**2** BRACKET

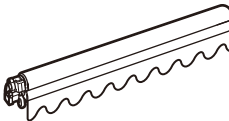
  
2 PCS

**3** SLEEVE  
ANCHOR

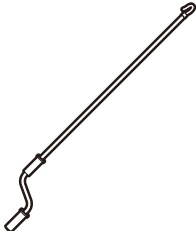
  
4 PCS

## PARTS

**A** AWNING

  
1 PC

**B** HANDLE

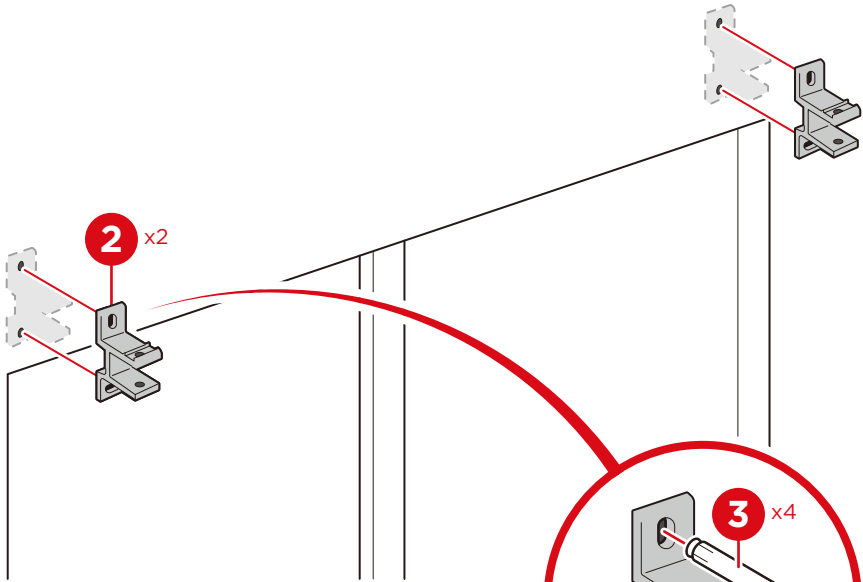
  
1 PC

## PRODUCT ASSEMBLY

1

Place two part 2 brackets against the wall. With a pencil, mark where to attach the brackets.

**NOTE:** Use awning to measure the distance between the brackets; brackets should be approximately 95 inches apart.

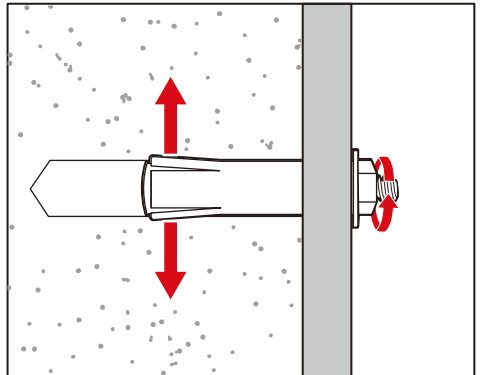
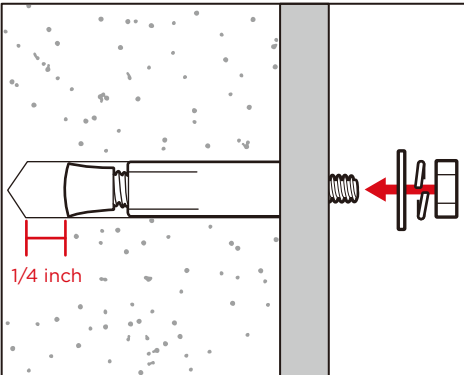


2

Drill four holes into the wall. Drill approximately a 1/4" deeper than the length of the sleeve anchor.

Insert four part 3 sleeve anchors into the holes. Attach two brackets by tightening the nuts.

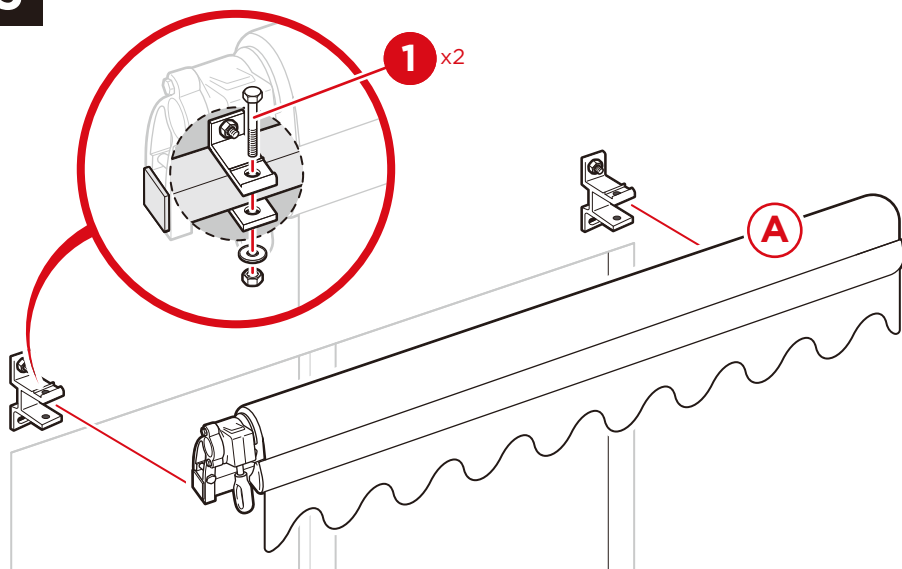
**NOTE:** Sleeve anchors should only be used on a concrete or solid wall.



## PRODUCT ASSEMBLY

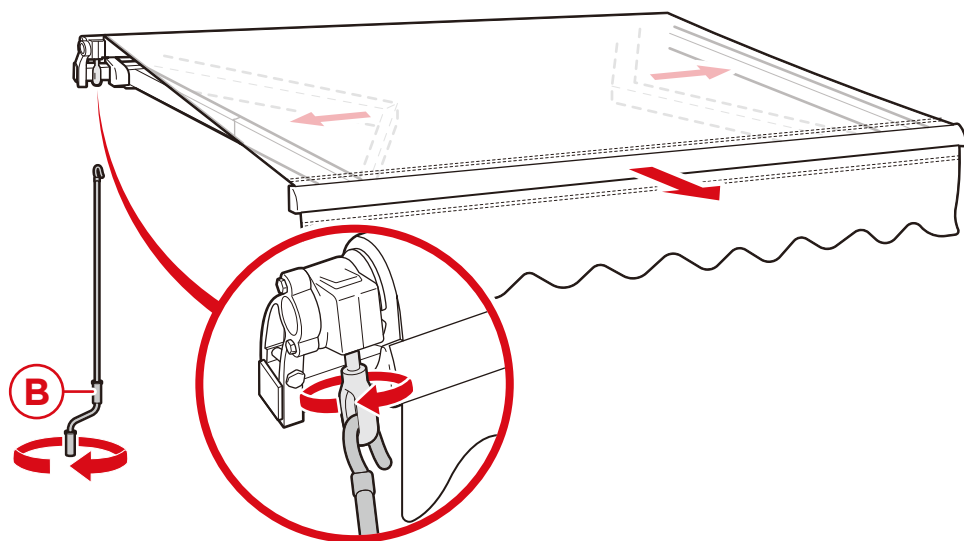
3

Carefully lift the part A awning onto the brackets and secure it with two part 1 bolt sets.



4

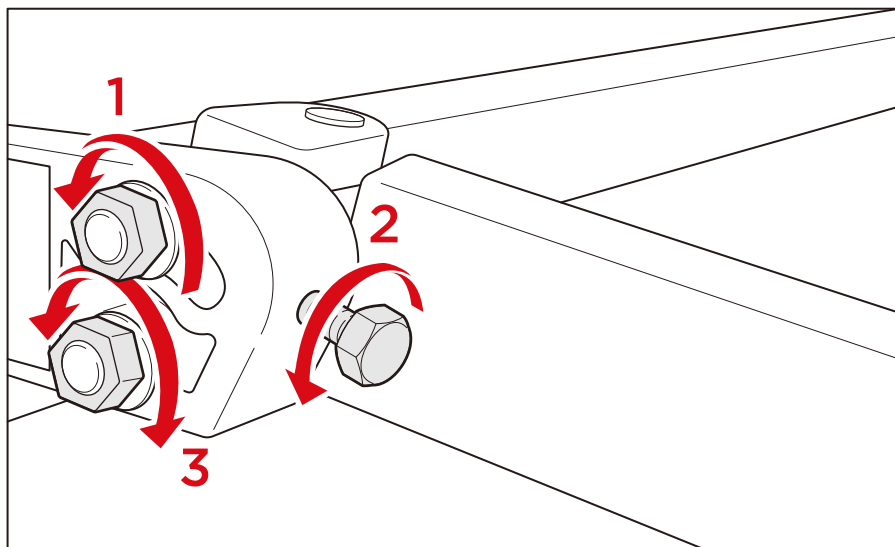
Hook the part B handle onto the eye hole on the gear box and rotate clockwise to open the awning.



## ADJUSTING AWNING

Tighten/loosen the nuts on the two arms to adjust the angle of the awning.

1. Loosen the top nut.
2. Loosen the bolt.
3. Adjust the bottom nut to change the angle of the awning.
  - Tighten the nut and the arm will angle up.
  - Loosen the nut and the arm will angle down.
4. When finished, tighten the top nut and bolt.



Earn points while you shop. Join today!

bestchoiceproducts  
**rewards**

Join | Earn | Redeem

Give your friends 15% off their first order! For each successful referral you'll receive 100 points.

[bestchoiceproducts.com](https://bestchoiceproducts.com)



# HELP CENTER



Question about your product? We're here to help. Visit us at:

[help.bestchoiceproducts.com](http://help.bestchoiceproducts.com)



Chat Support



Product Inquiry



Orders FAQ



Product Assembly



Returns & Refunds

## PRODUCT WARRANTY INFORMATION

All items can be returned for any reason within 60 days of the receipt and will receive a full refund as long as the item is returned in its original product packaging and all accessories from its original shipment are included. All returned items will receive a full refund back to the original payment method. All returned items will not be charged a re-stocking fee.

All returned items require an RA (Return Authorization) number, which can only be provided by a Best Choice Products Customer Service Representative when the return request is submitted. Items received without an RA may not be accepted or may increase your return processing time. Once an item has been received by Best Choice Products, refunds or replacements will be processed within 5 business days.

All returns must be shipped back to the Best Choice Products Return Center at the customer's expense. If the reason for return is a result of an error by Best Choice Products then Best Choice Products will provide a pre-paid shipping label via email. Boxes for return shipping will not be provided by Best Choice Products, and is the customer's responsibility to either use the original shipping boxes or purchase new boxes.

Pictures may be required for some returns to ensure an item is not damaged prior to its return. Items returned are not considered undamaged until they are received by Best Choice Products and verified as such. All damages to items are the customer's responsibility until the item has been received by and acknowledge by Best Choice Products as undamaged.



## WARNING

Manufacturer and seller expressly disclaim any and all liability for personal injury, property damage or loss, whether direct, indirect, or incidental, resulting from the incorrect attachment, improper use, inadequate maintenance, or neglect of this product.