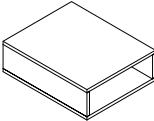
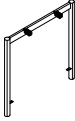
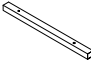
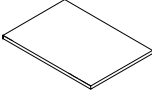



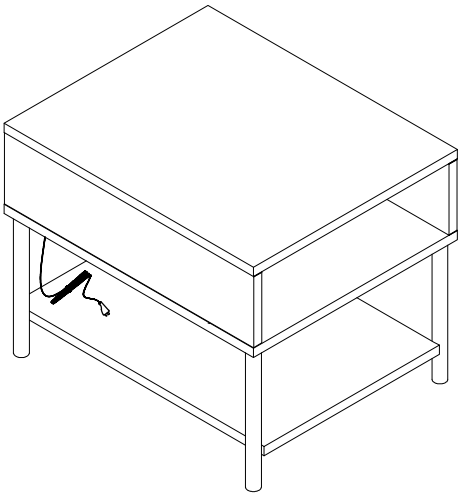


ASSEMBLY INSTRUCTION

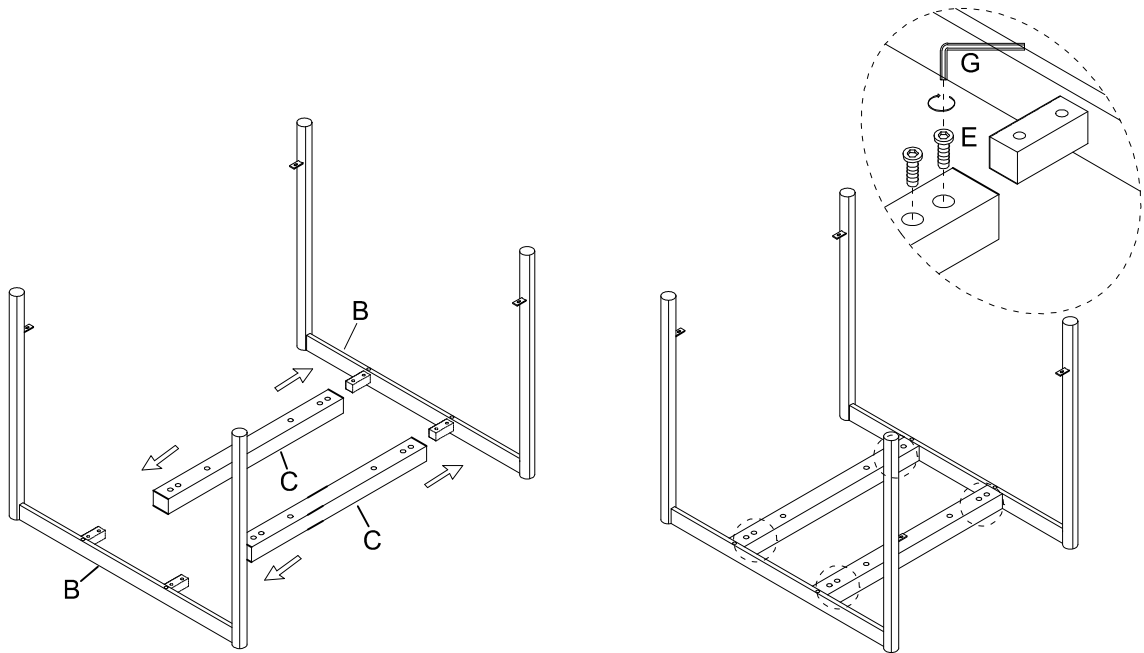
END TABLE WITH USB PORT

A Top Assembly	B Side Frame	C Upper Rail	D Bottom Panel
			
1PC	2PCS	2PCS	1PC
E Bolt 1/4" x 1/2"	F Bolt 1/4" x 1-1/2"	G Allen Key 4mm	
			
12PCS	8PCS	1PC	

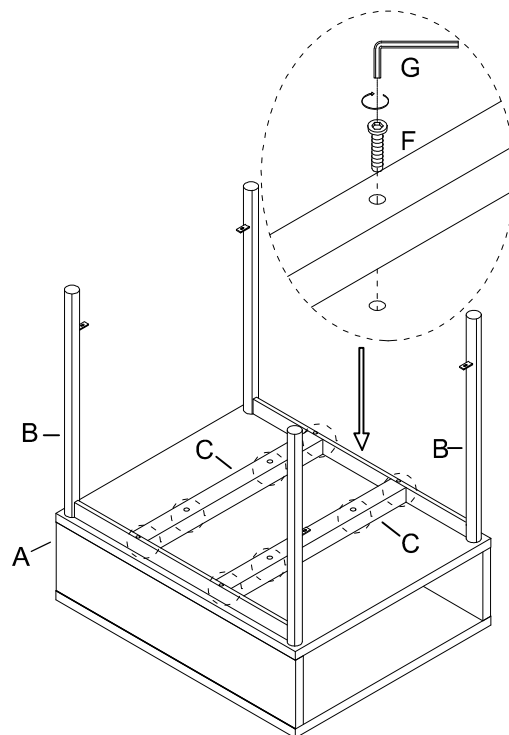


This page lists all the contents included in the box. Please take the time to identify the hardware as well as the individual components to this product. As you unpack and prepare for assembly, place the contents on a carpeted or padded area to protect them from damage.

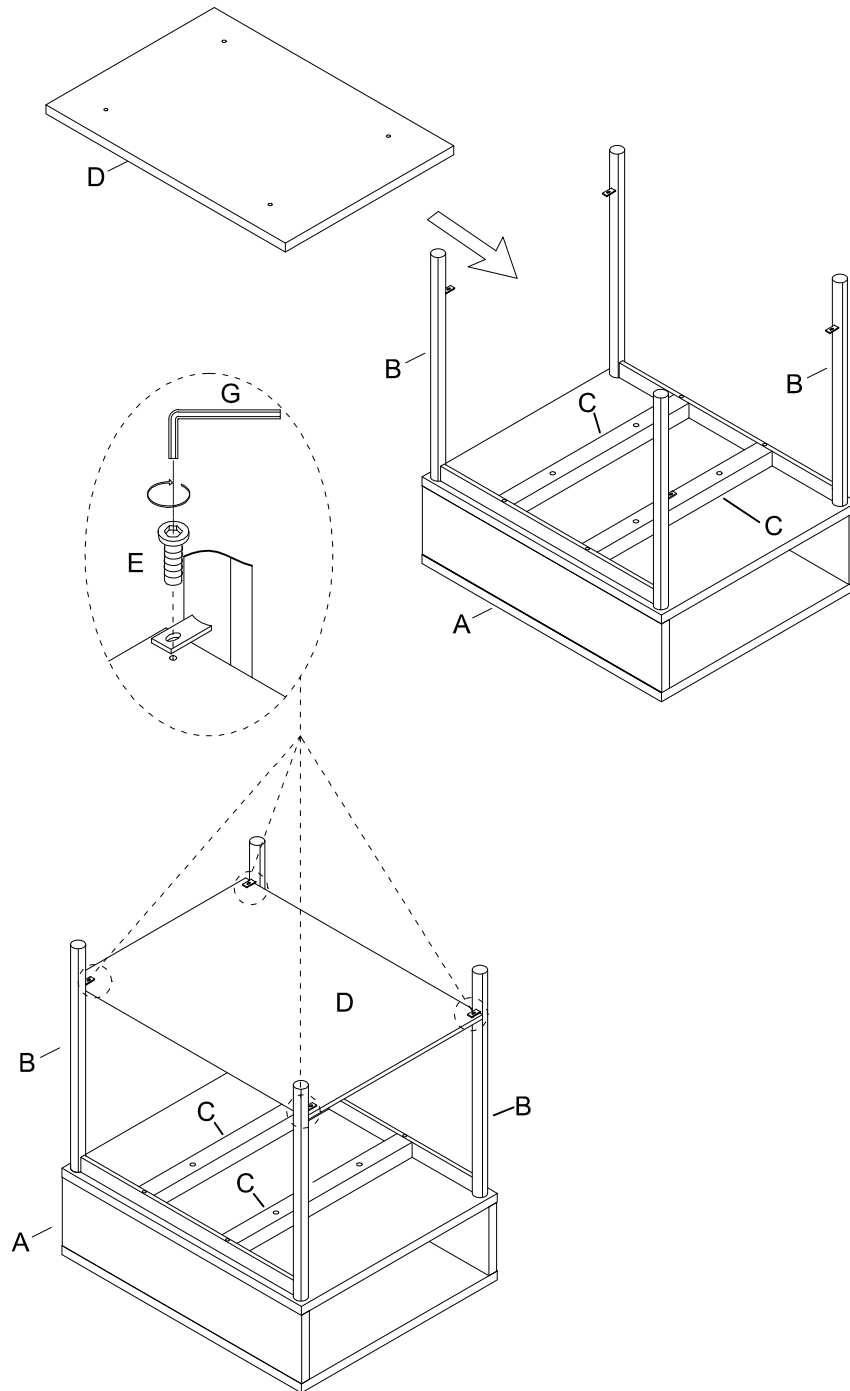
1 Attach Upper Rail (C) to Side Frame (B) using Bolt (E) with Allen Key (G).



2 Put Top Assembly (A) upside down, then attach the assembled metal frame to Top Assembly (A) using Bolt (F) with Allen Key (G).



3 Attach Bottom Panel (D) to the assembled metal frame using Bolt (E) with Allen Key (G).

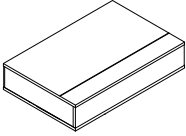
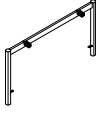
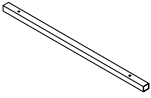
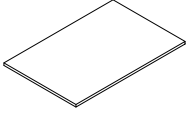





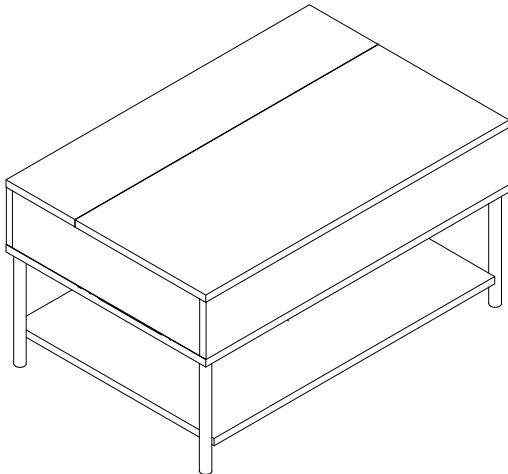
Cleaning & Care

Treat surface with care. Surface is resistant to scratches but is not scratch resistant. Clean surfaces with a dry or damp soft cloth. Do not use abrasive cleaners. Hardware may loosen over time. Periodically check that all connections are tight.

ASSEMBLY INSTRUCTION

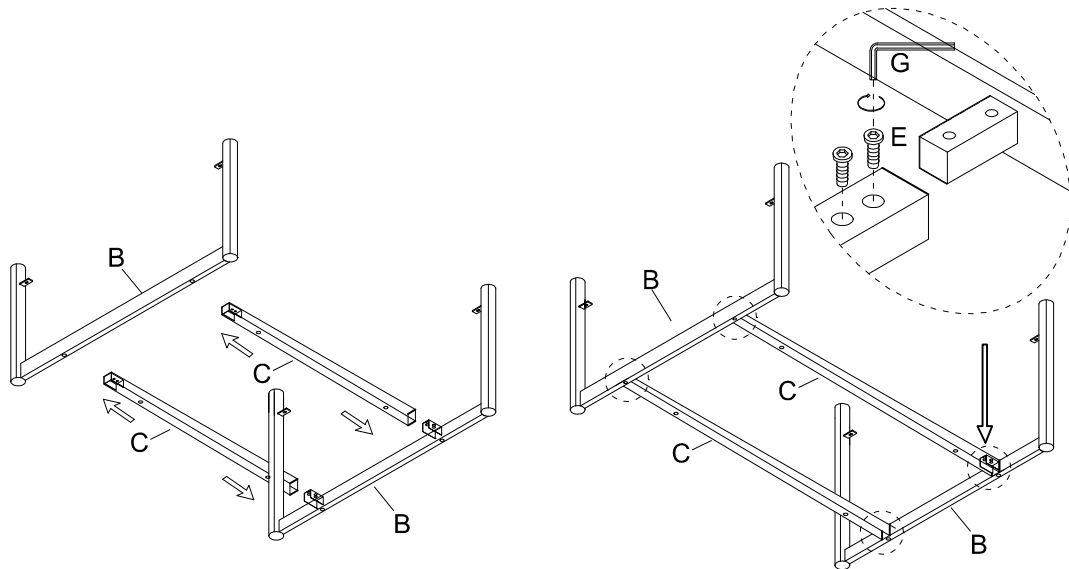
LIFT-TOP COCKTAIL TABLE

A Top Assembly	B Side Frame	C Upper Rail	D Bottom Panel
			
1PC	2PCS	2PCS	1PC
E Bolt 1/4" x 1/2"	F Bolt 1/4" x 1-1/2"	G Allen Key 4mm	
			
12PCS	8PCS	1PC	

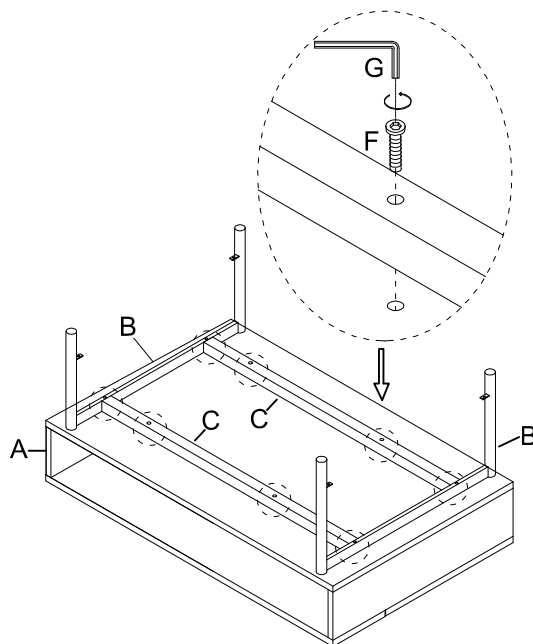


This page lists all the contents included in the box. Please take the time to identify the hardware as well as the individual components to this product. As you unpack and prepare for assembly, place the contents on a carpeted or padded area to protect them from damage.

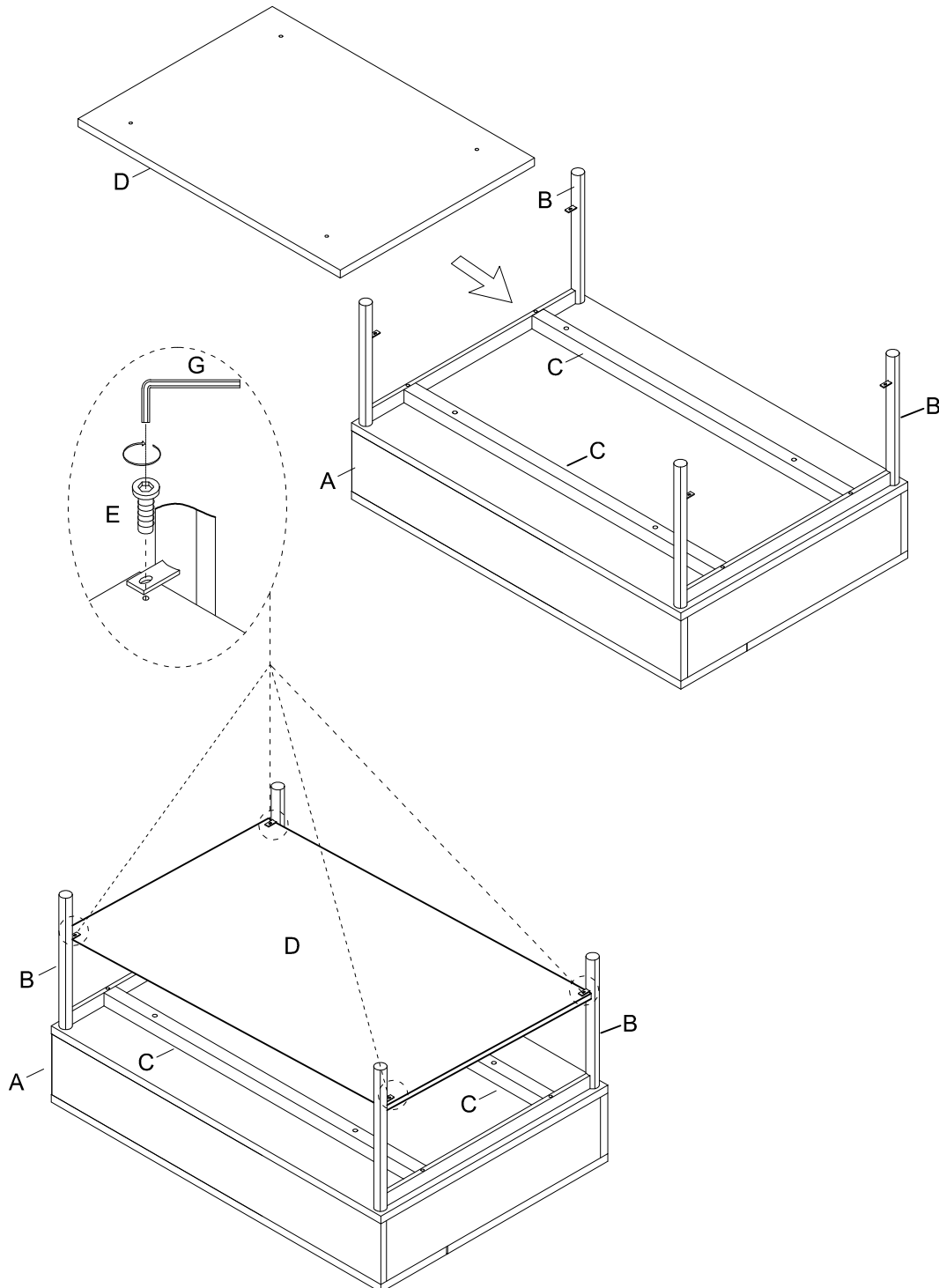
1 Attach Upper Rail (C) to Side Frame (B) using Bolt (E) with Allen Key (G).



2 Put Top Assembly (A) upside down, then attach the assembled metal frame to Top Assembly (A) using Bolt (F) with Allen Key (G).



3 Attach Bottom Panel (D) to the assembled metal frame using Bolt (E) with Allen Key (G).



Cleaning & Care

Treat surface with care. Surface is resistant to scratches but is not scratch resistant. Clean surfaces with a dry or damp soft cloth. Do not use abrasive cleaners. Hardware may loosen over time. Periodically check that all connections are tight.