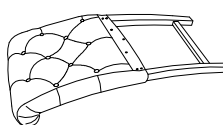
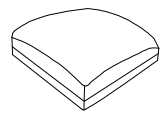
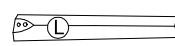
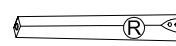
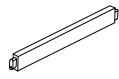
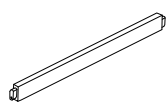
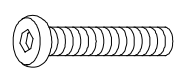
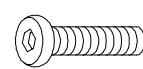
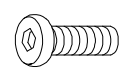




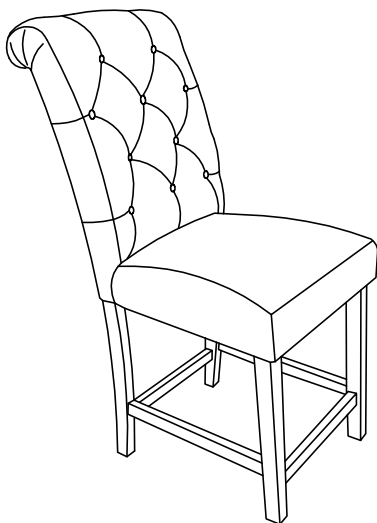


ASSEMBLY INSTRUCTION

COUNTER HEIGHT CHAIR

A Chair Back  1pc	B Seat  1pc	C Left Front Leg (sticker stick under stretcher)  1pc	D Right Front Leg (sticker stick under stretcher)  1pc	E Front Stretcher  1pc
F Side Stretcher  2pcs	G Bolt 5/16"x3-1/2"  4pcs	H Bolt 5/16"x2-1/2"  4pcs	I Bolt 5/16"x2"  3pcs	J Lock Washer 5/16"  11pcs
K Flat Washer 5/16"  11pcs	L Allen Key 5mm  1pc	M Screw 4mmØ*45mm  6pcs		

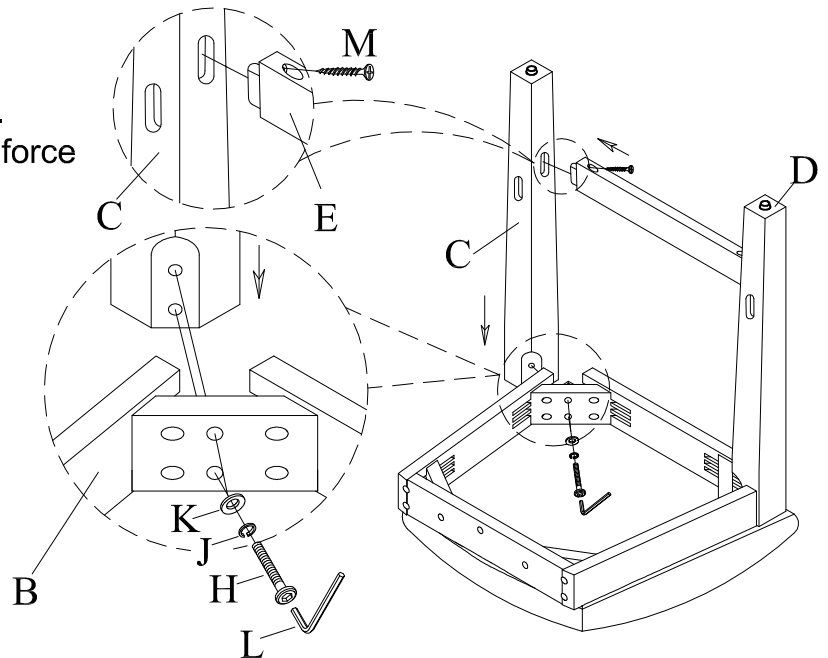


This page lists all the contents included in the box. Please take the time to identify the hardware as well as the individual components to this product. As you unpack and prepare for assembly, place the contents on a carpeted or padded area to protect them from damage.

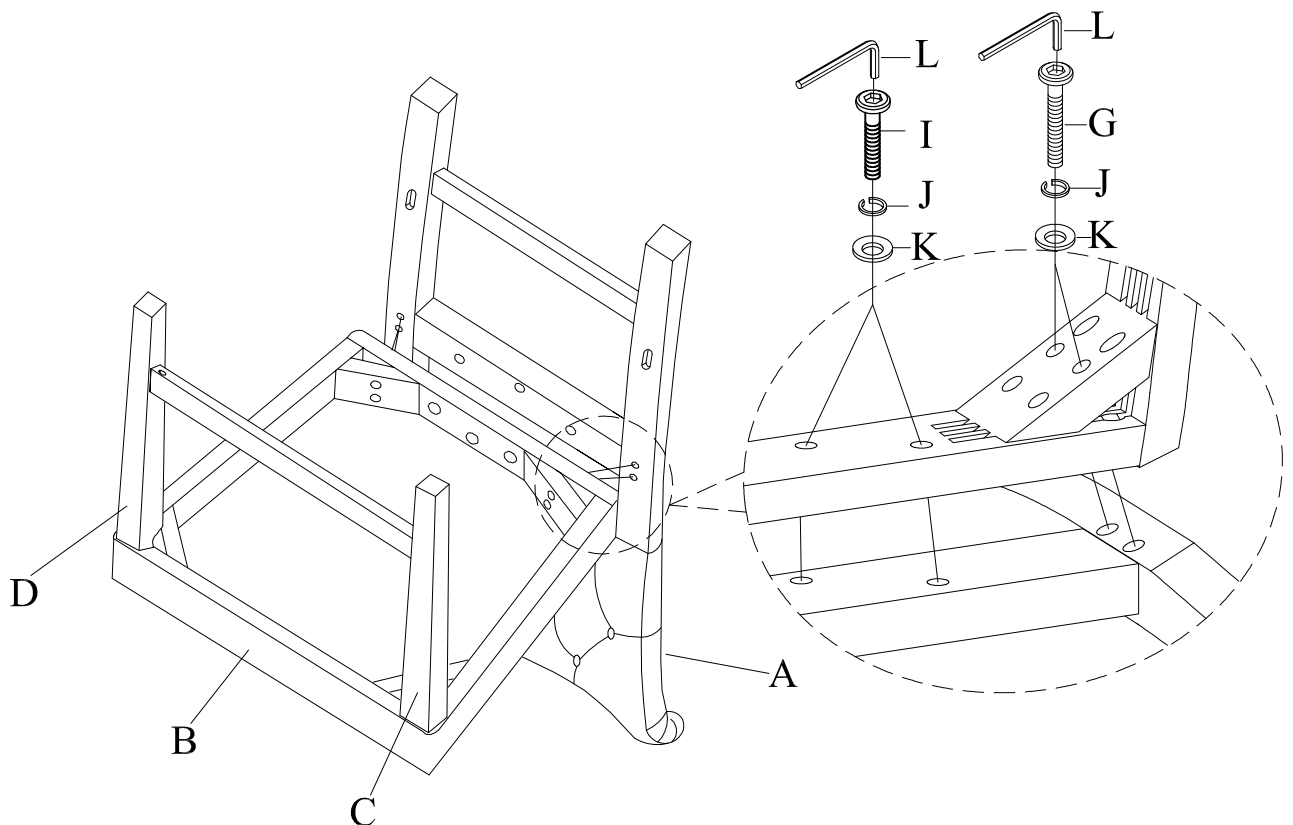
1 Tools required: Allen key (Included) and Screwdriver (Not Included) .

Put the seat (B) on a smooth flat surface, attach the front legs (C,D) to seat (B) using flat washer (K), lock washer (J), bolt (H) by allen key (L). Do not too tight. Attach the front stretcher (E) to legs secure stretcher in place with screw (M) by screwdriver (not included).

Take the Allen Key, and turn the bolts until the legs are secure.
DO NOT TIGHTEN COMPLETELY.
Stop when you feel you are adding force to tight the bolt.



2 Insert dowels to the back rail of seat (B) then attach the seat frame to the chair back(A) using flat washer (K), lock washer (J), bolt (G), (I) by allen key (L). Do not too tight.



3 Attach side stretchers(F) to legs and secure by screw(M) with screwdriver.

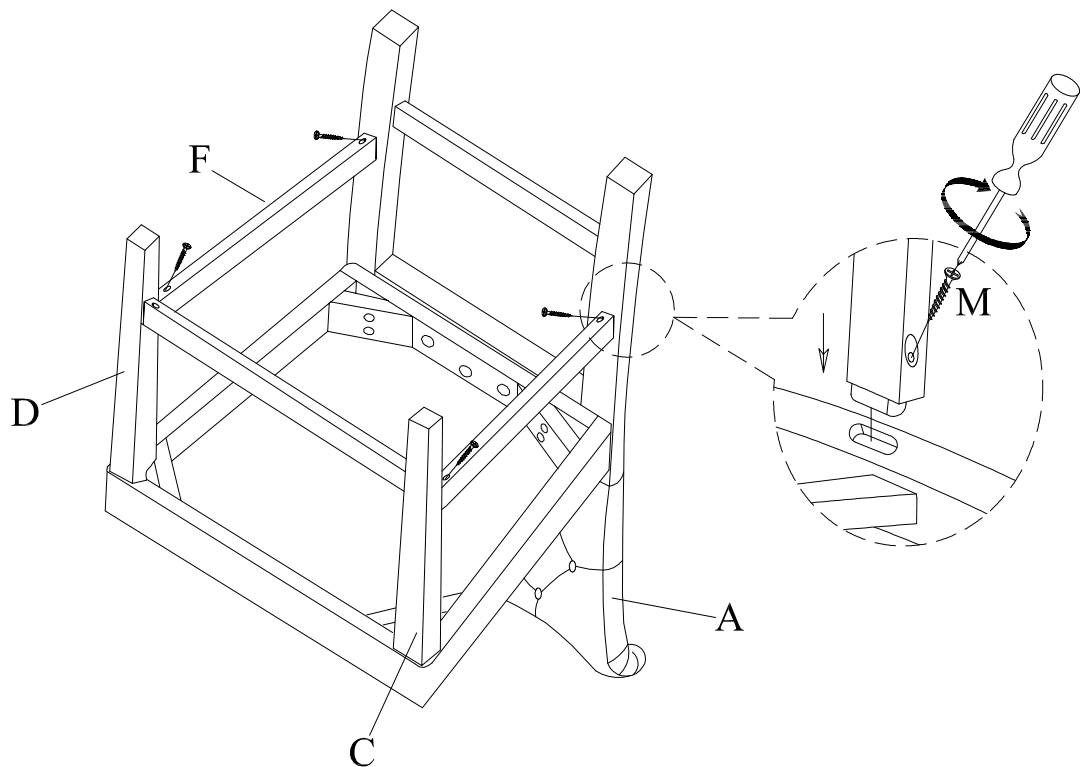
Stand chair up on an even surface and check that it is balanced.

If there is a slight wobble, apply downward pressure in the corner where a leg is uneven. Keeping pressure in that corner, tighten all bolts.

If balanced, apply downward pressure evenly in the center and tighten all bolts. Do not over-tighten beyond hole depth.

Helpful Tip:

-Instead of applying downward pressure while reaching under to tighten bolts, have someone sit in the chair while you tighten the bolts.

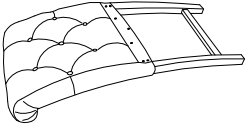
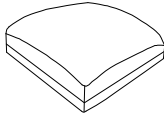
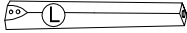
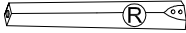
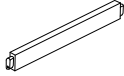
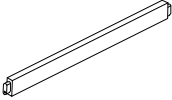
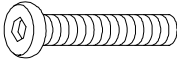
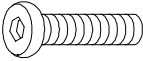
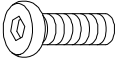






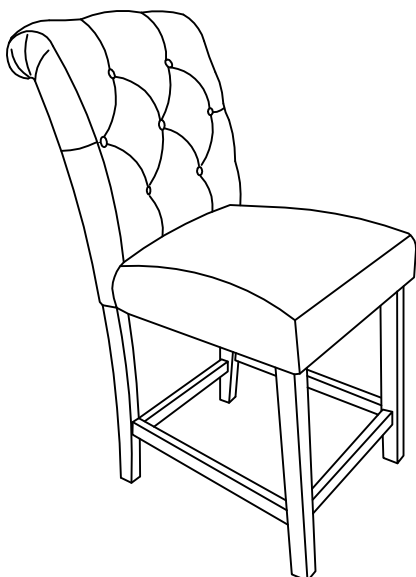
Cleaning & Care

Treat surface with care. Surface is resistant to scratches but is not scratch resistant. Clean surfaces with a dry or damp soft cloth. Do not use abrasive cleaners. Hardware may loosen over time. Periodically check that all connections are tight.

ASSEMBLY INSTRUCTION

BAR HEIGHT CHAIR

A Chair Back  1pc	B Seat  1pc	C Left Front Leg (sticker stick under stretcher)  1pc	D Right Front Leg (sticker stick under stretcher)  1pc	E Front Stretcher  1pc
F Side Stretcher  2pcs	G Bolt 5/16"x3-1/2"  4pcs	H Bolt 5/16"x2-1/2"  4pcs	I Bolt 5/16"x2"  3pcs	J Lock Washer 5/16"  11pcs
K Flat Washer 5/16"  11pcs	L Allen Key 5mm  1pc	M Screw 4mmØ*45mm  6pcs		

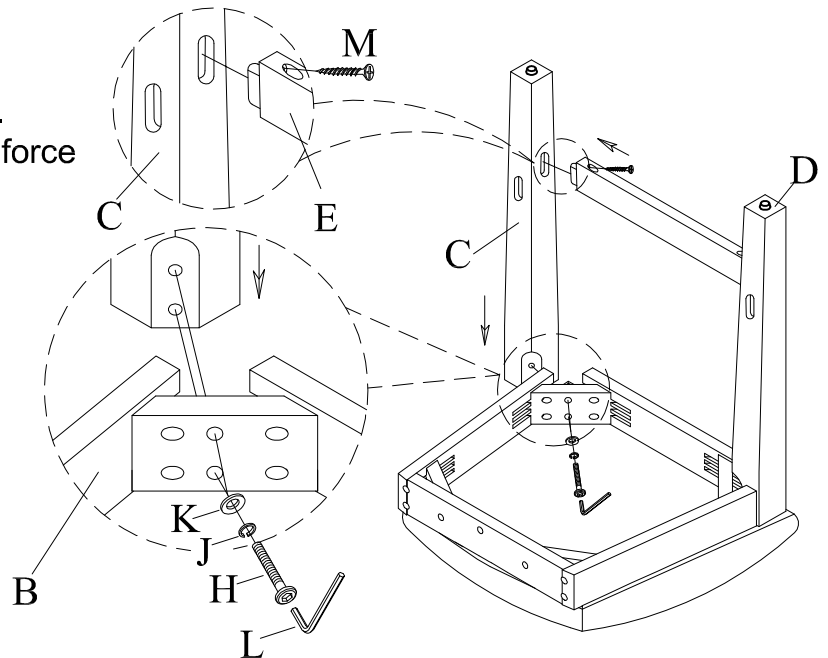


This page lists all the contents included in the box. Please take the time to identify the hardware as well as the individual components to this product. As you unpack and prepare for assembly, place the contents on a carpeted or padded area to protect them from damage.

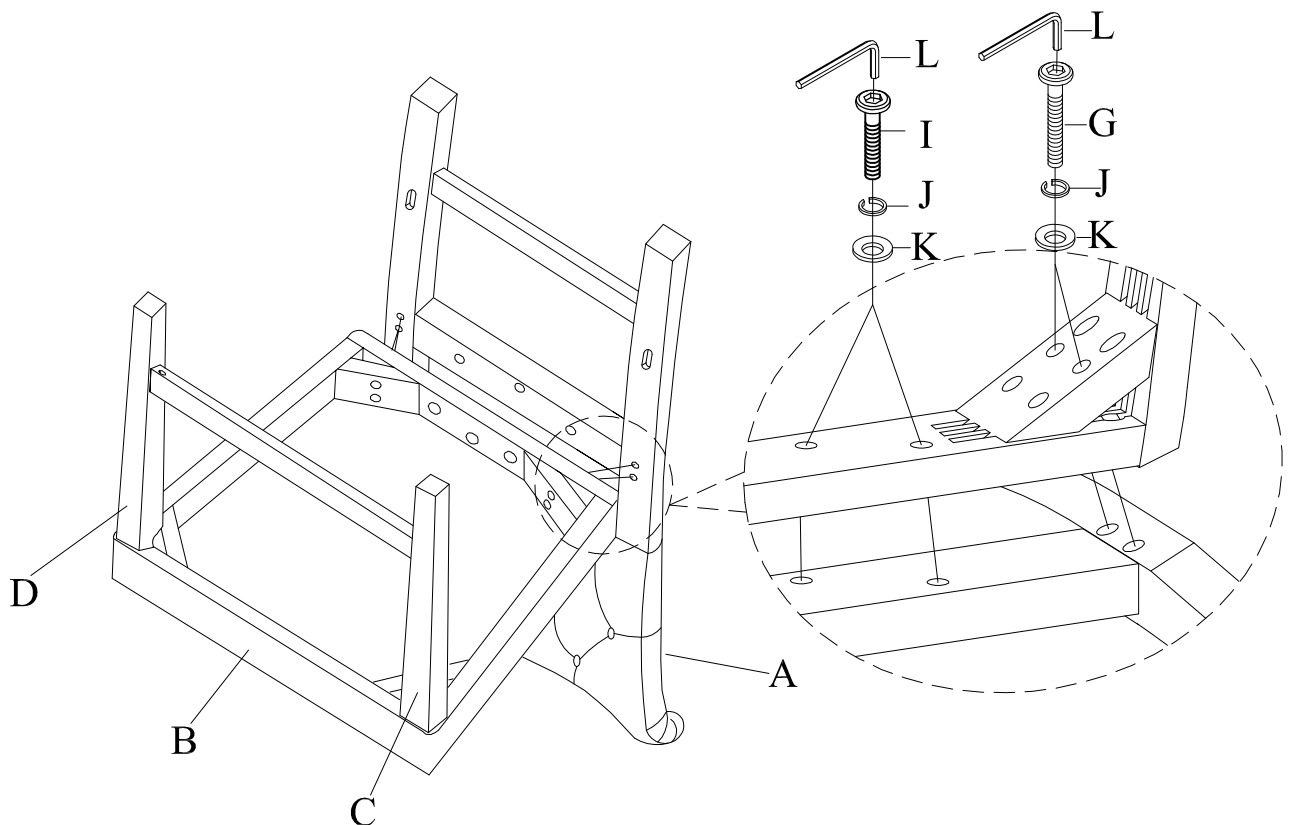
1 Tools required: Allen key (Included) and Screwdriver (Not Included) .

Put the seat (B) on a smooth flat surface, attach the front legs (C,D) to seat (B) using flat washer (K), lock washer (J), bolt (H) by allen key (L). Do not too tight. Attach the front stretcher (E) to legs secure stretcher in place with screw (M) by screwdriver (not included).

Take the Allen Key, and turn the bolts until the legs are secure.
DO NOT TIGHTEN COMPLETELY.
Stop when you feel you are adding force to tight the bolt.



2 Insert dowels to the back rail of seat (B) then attach the seat frame to the chair back(A) using flat washer (K), lock washer (J), bolt (G), (I) by allen key (L). Do not too tight.



3 Attach side stretchers(F) to legs and secure by screw(M) with screwdriver.

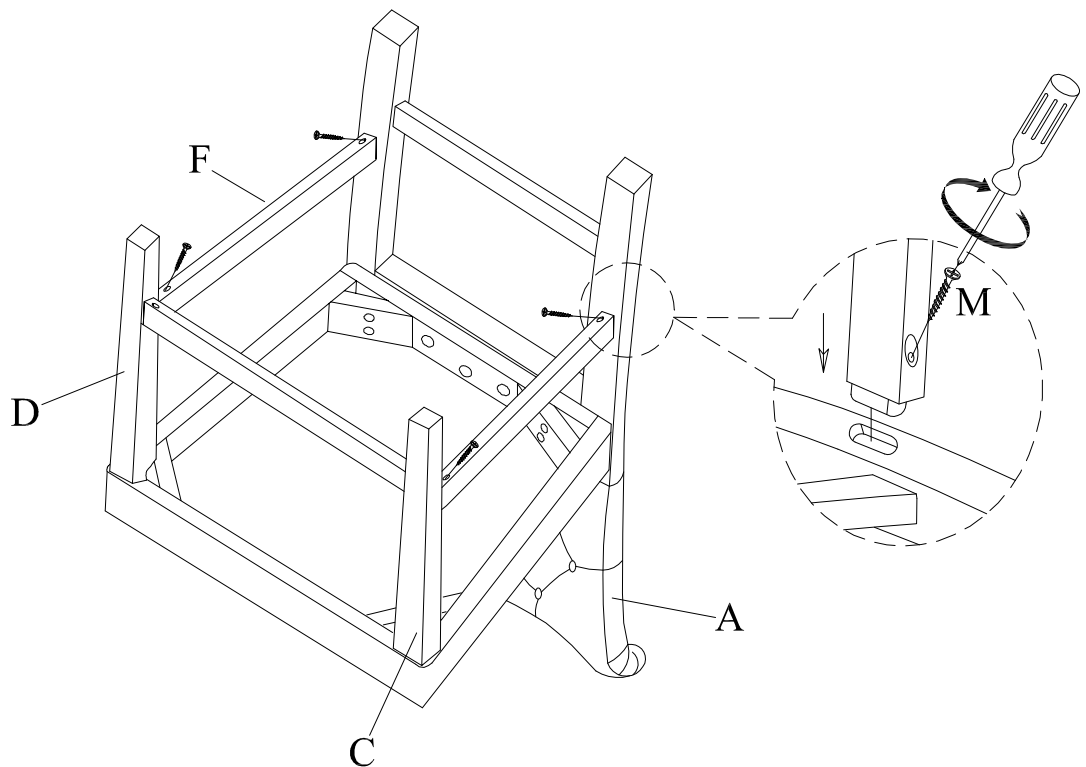
Stand chair up on an even surface and check that it is balanced.

If there is a slight wobble, apply downward pressure in the corner where a leg is uneven. Keeping pressure in that corner, tighten all bolts.

If balanced, apply downward pressure evenly in the center and tighten all bolts. Do not over-tighten beyond hole depth.

Helpful Tip:

-Instead of applying downward pressure while reaching under to tighten bolts, have someone sit in the chair while you tighten the bolts.



Cleaning & Care

Treat surface with care. Surface is resistant to scratches but is not scratch resistant. Clean surfaces with a dry or damp soft cloth. Do not use abrasive cleaners. Hardware may loosen over time. Periodically check that all connections are tight.