



**Greek®**  
48" x 32" drop-in bath  
**K-1490-X**

**Features**

- Extra-deep basin for full-body soaking
- Repose vinyl bath pillow for added comfort

**Material**

- Acrylic

**Installation**

- Reversible drain
- Drop-in

**Recommended Products/Accessories**

- K-1179 Vinyl Tiling-in Bead
- K-1491 Bath/Whirlpool Pillow
- K-1601 Bath/whirlpool footstop, removable
- K-7213 27" Cable Bath Drain
- K-7214 27" Cable Bath Drain
- K-7265 Brass toe tap bath drain
- K-164 Under-Mount Install Kit K-1490-X/1492-H2
- K-23726 Drain treatment

**Included Components**

- 61482 Repose Bath Pillow Assembly



**Codes/Standards**

- CSA B45.5/IAPMO Z124
- ASTM E162
- ASTM E662

**KOHLER® One-Year Limited  
Warranty**

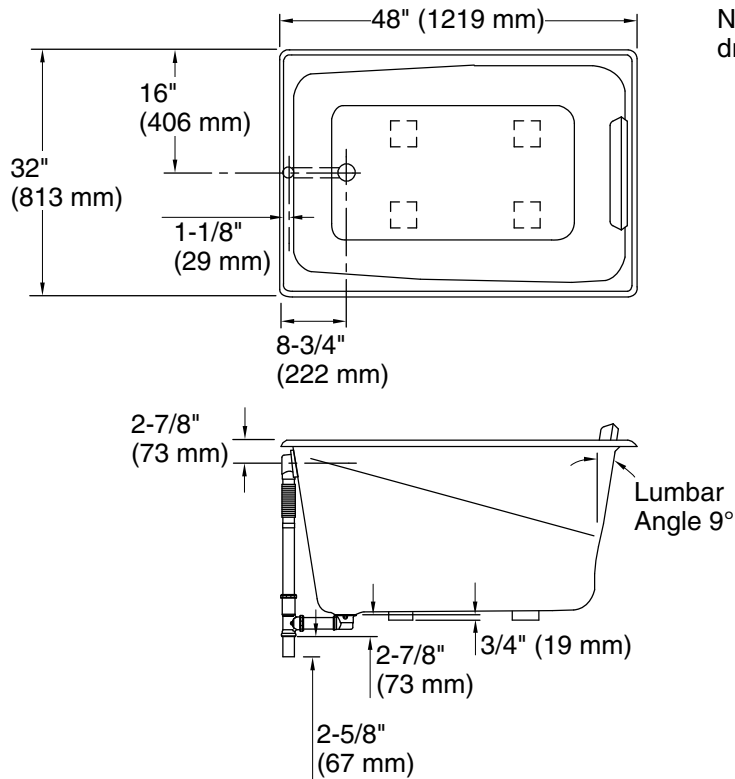
See website for detailed warranty information.

**Available Colors/Finishes**

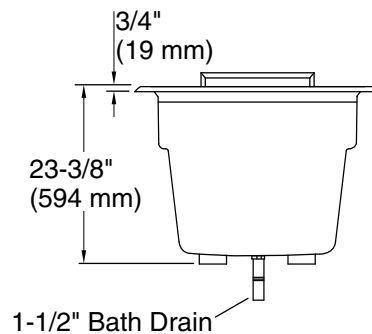
*Color tiles intended for reference only.*

**Color Code Description**

	0	White
---	---	-------



No change in measurement if connected with drain illustrated. (K-7265)



## Technical Information

All product dimensions are nominal.

Drain location:	Reversible
Basin area, bottom:	36" x 21" (914 mm x 533 mm)
Basin area, top:	42" x 26" (1067 mm x 660 mm)
Weight:	60 lbs (27.2 kg)
Minimum floor load:	61 lbs/ft <sup>2</sup> (297.8 kg/m <sup>2</sup> )
Water depth:	17-7/8" (454 mm)
Water capacity:	68 gal (257.4 L)
Cutout:	Drop-in, 46-1/2" x 30-1/2" (1181 mm x 775 mm)
Minimum flat for door:	15/16" (24 mm)

## Notes

Measure your actual product for rough-in details.

Install this product according to the installation instructions.

The hot water supply should be 70% of the capacity of the bath or greater. Installations will vary.

Kit is required for under-mount installations (sold separately).