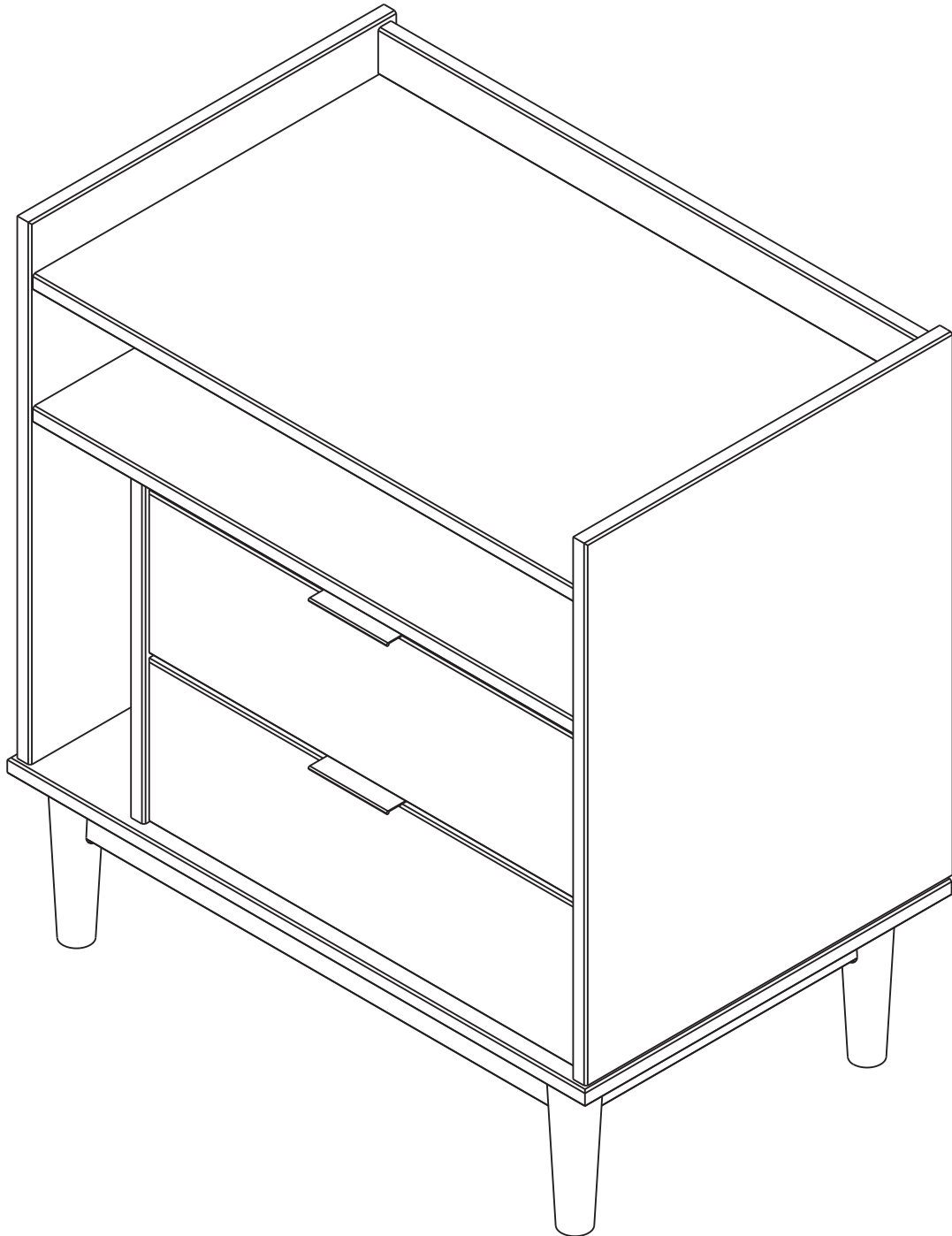


Item # : BR2DRLEENS

Assembly Instructions

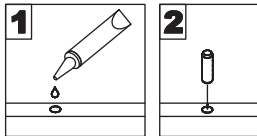


Please visit our website for the most current instructions, assembly tips, to report damage or request parts. www.walkeredison.com

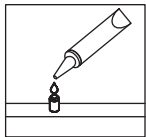
Revised 10/2022

General Assembly Guidelines

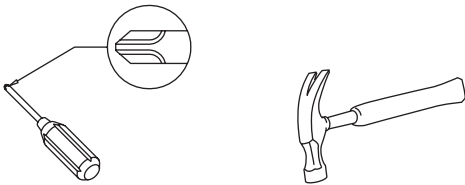
- I. Ensure that all parts and hardware are available before beginning assembly.
- II. Follow each step carefully to ensure the proper assembly of this product.
- III. Two people are recommended for ease in the assembly of this product.
- IV. The three main types of hardware used to assemble this product are wood dowels, screws and bolts.
- V. The provided glue is to secure wood dowels in place. When first inserting dowels, locate the appropriate hole for the dowel, place a small amount of glue in the hole and insert the dowel. Wipe away excess glue immediately.



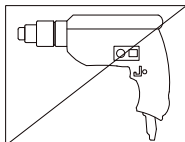
In future assembly steps when dowels are necessary to attach assembly parts together, place a small amount of glue on the end of the dowel before attaching parts together. Wipe away excess glue immediately.



- VI. A Phillips head screwdriver and hammer is required for the assembly of this product.



- VII. Power tools should not be used to assemble this product.

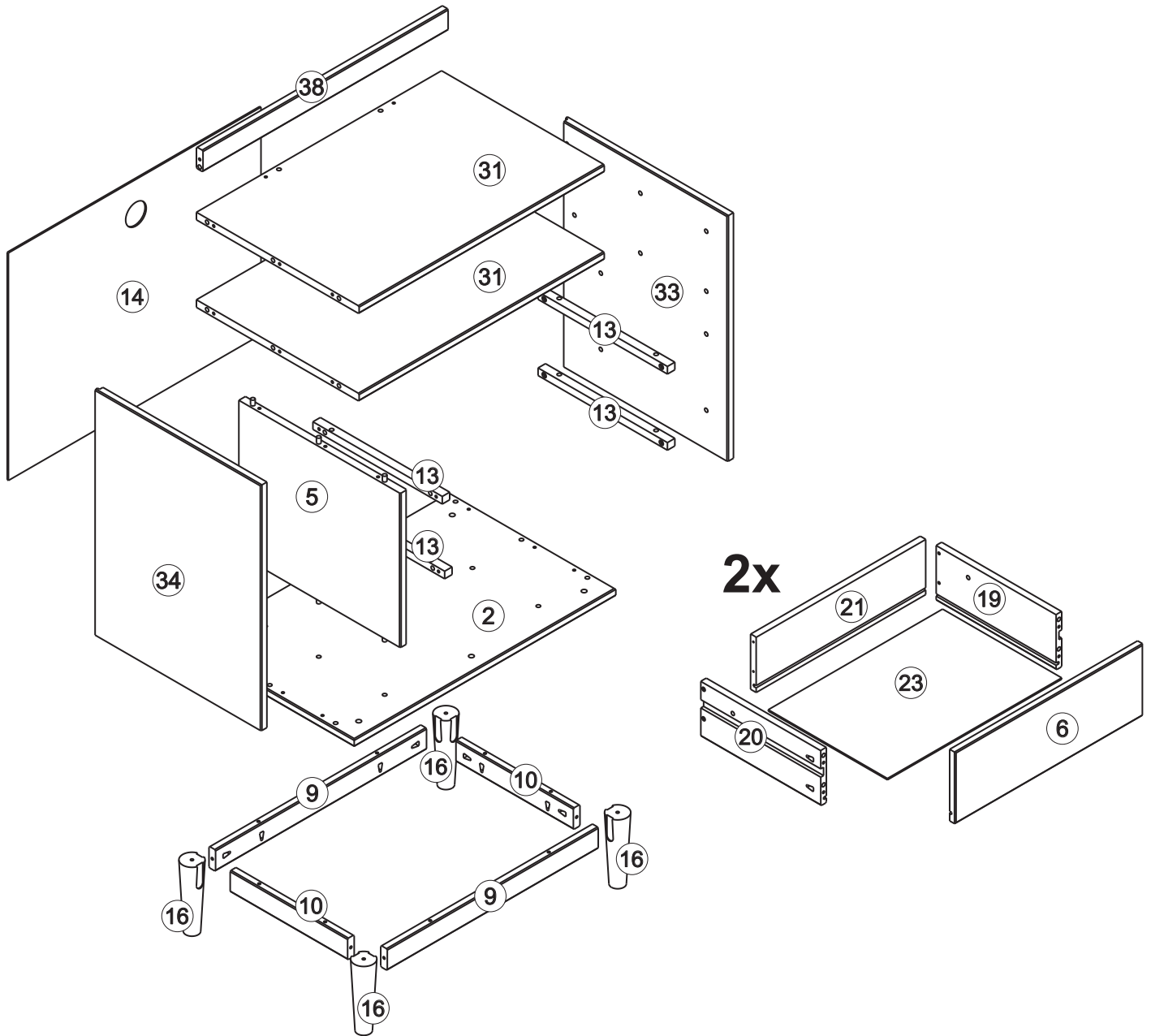


VIII. Maintenance Guide

To maintain long term performance and easy gliding of your solid wood drawers, we recommend applying wax to the wooden guide rails.

1. Bee's wax is recommended or Paraffin wax from a standard candle can be used.
2. Apply the wax by rubbing it on the wooden guide rails where there is wood-on-wood contact when opening and closing the drawer. (Wax should be room temperature, do not melt the wax onto the wood)
3. Wax should be applied every few months for the first year and then only when needed after that to keep the drawers sliding smoothly.

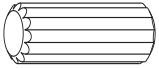
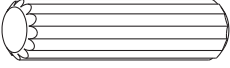
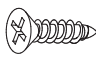
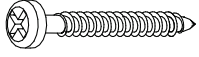
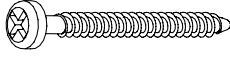
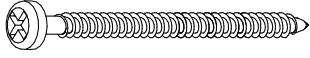



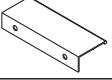

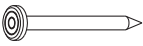

Parts List

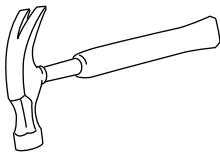


Part#	Description	Qty
2	Base panel	01 pcs
5	Middle panel	01 pcs
6	Drawer front	02 pcs
9	Bottom Front crossbeam	02 pcs
10	Bottom side crossbeam	02 pcs
13	Drawer runner	04 pcs
14	Back Panel	01 pcs
16	Leg	04 pcs

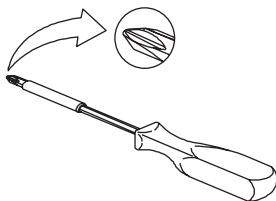
Part#	Description	Qty
19	Drawer Right Side	02 pcs
20	Drawer Left Side	02 pcs
21	Drawer back	02 pcs
23	Drawer bottom	02 pcs
31	Top panel	02 pcs
33	Right side panel	01 pcs
34	Left side panel	01 pcs
38	Top crossbeam	01 pcs

Hardware List

A		Ø8*20mm	Wood dowel	08 pcs
B		Ø8*30mm	Wood dowel	46 pcs
C		Ø3,0*12mm	Screw	04 pcs
D		Ø4,0*25mm	Screw	08 pcs
E		Ø4,0*30mm	Screw	46 pcs
F		Ø4,0*40mm	Screw	14 pcs
G		Ø7,0*70mm	Screw	04 pcs
H		-	Hex Key	01 pc
I		-	Glue	01 pc
J		-	Handle	02 pcs
K		-	Plastic cap	02 pcs
L		Ø8*8mm	Nail	26 pcs
M		-	Slap hole	04 pcs



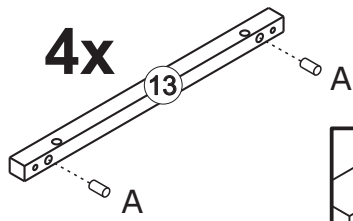
Hammer recommended for assembly
(not included)



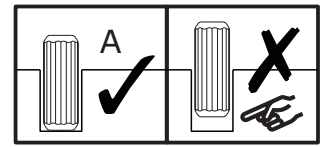
Philips head screwdriver required for assembly
(not included)

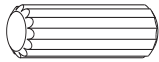
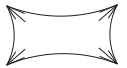
*The hardware quantities listed above are required for proper assembly.
Some extra hardware may also have been included.*

Step 1

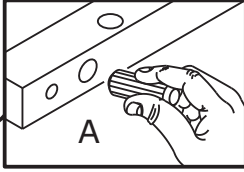


Attention to the
dowel size:
Ø8*20mm

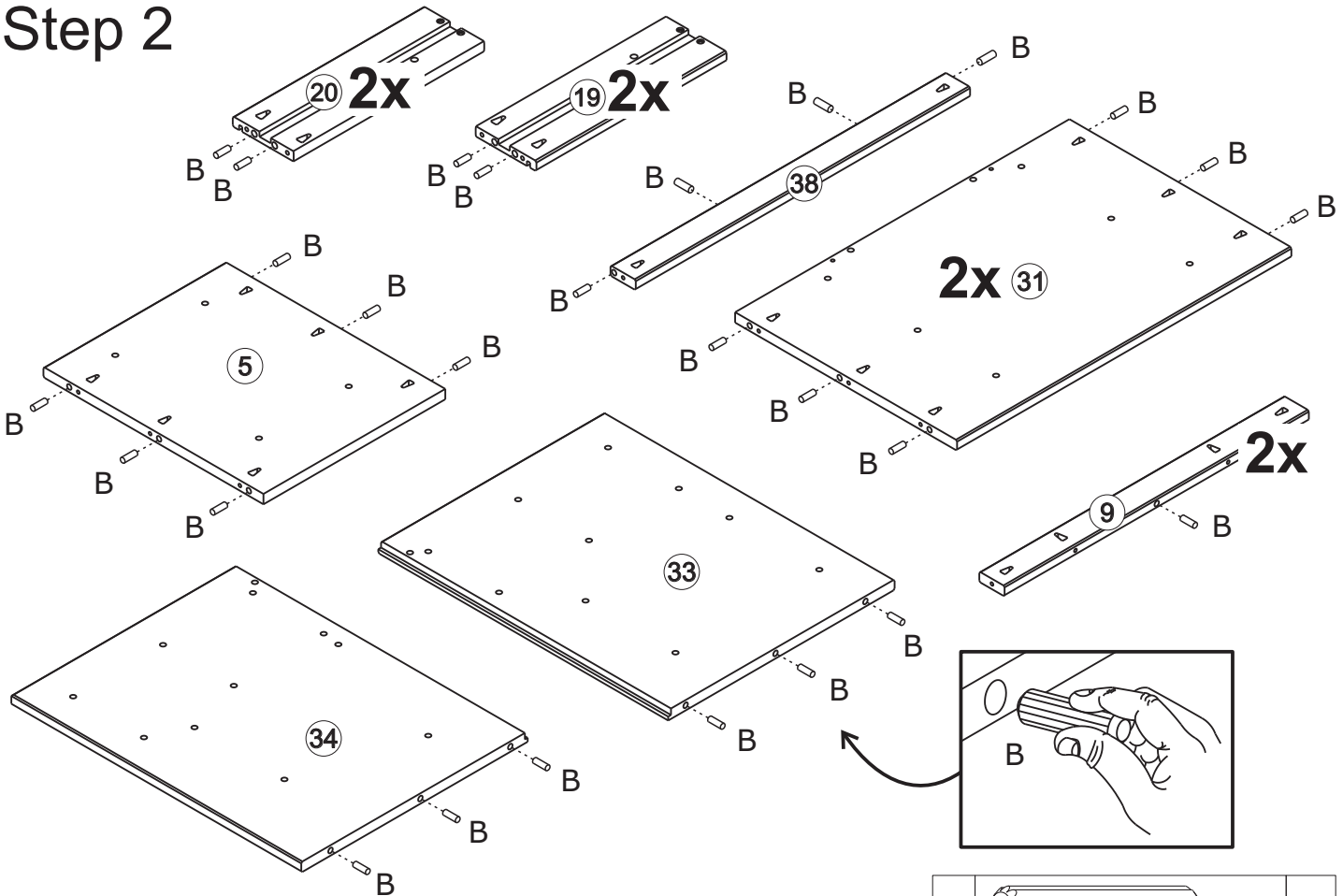


A		Ø8*20mm	08
I			01

Insert wood dowel
(A) and glue (I) into part (13).



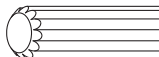

Step 2



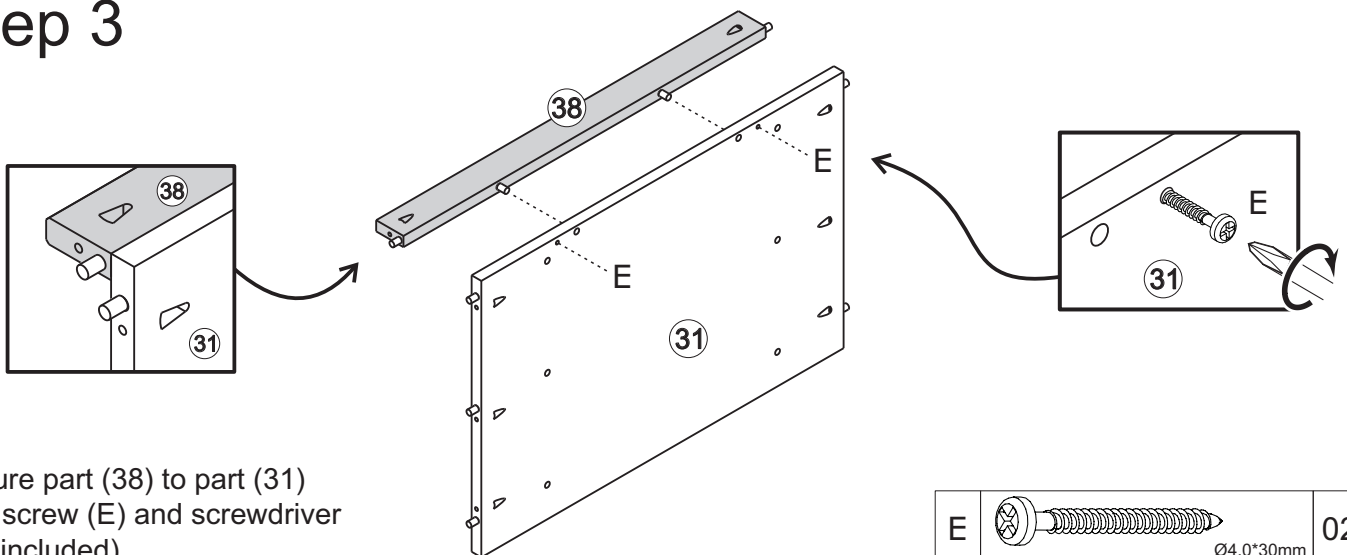
Insert wood dowel (B) and glue (I) into part
(5), (9), (19), (20), (31), (33), (34), and (38).



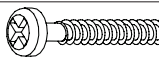
Please assemble on
a clean soft surface
to avoid damage.

B		Ø8*30mm	38
I			01

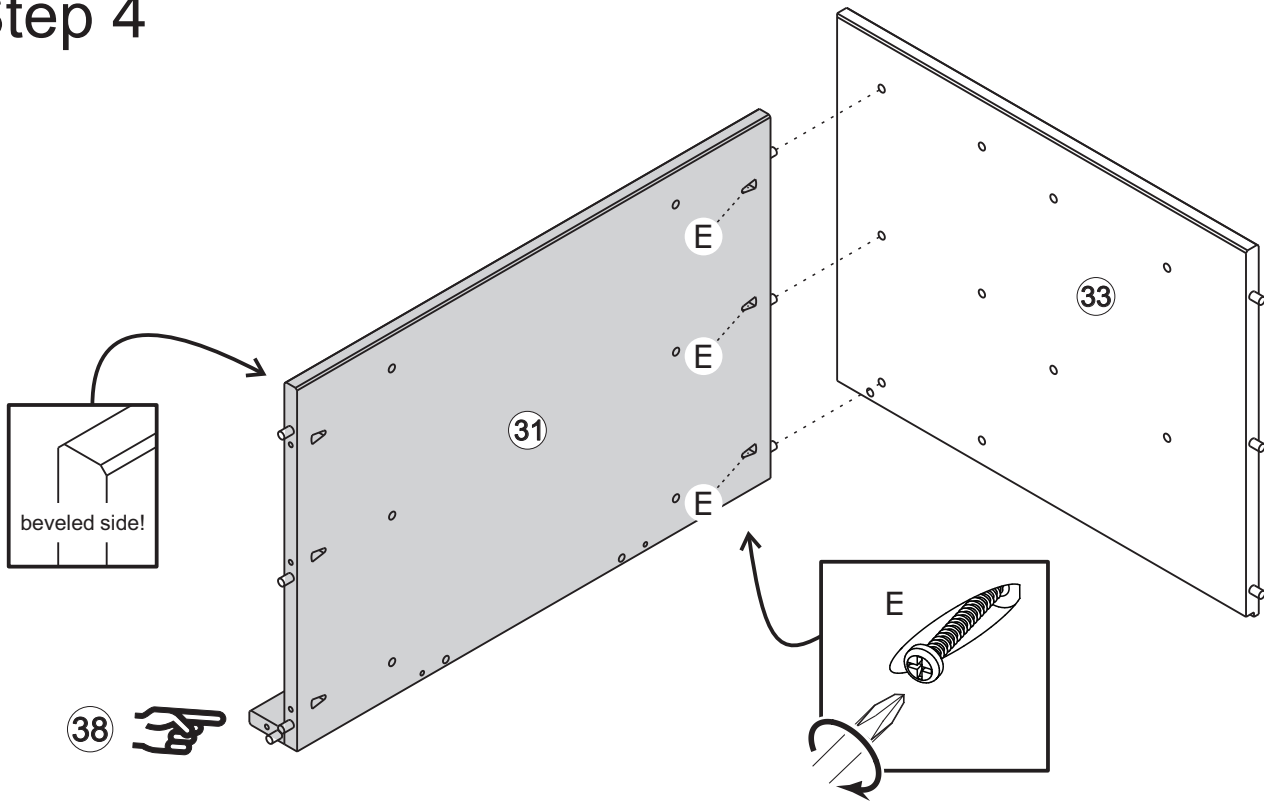
Step 3



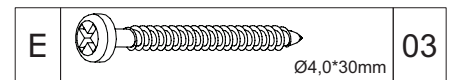
Secure part (38) to part (31)
with screw (E) and screwdriver
(not included).

E		Ø4,0*30mm	02
---	---	-----------	----

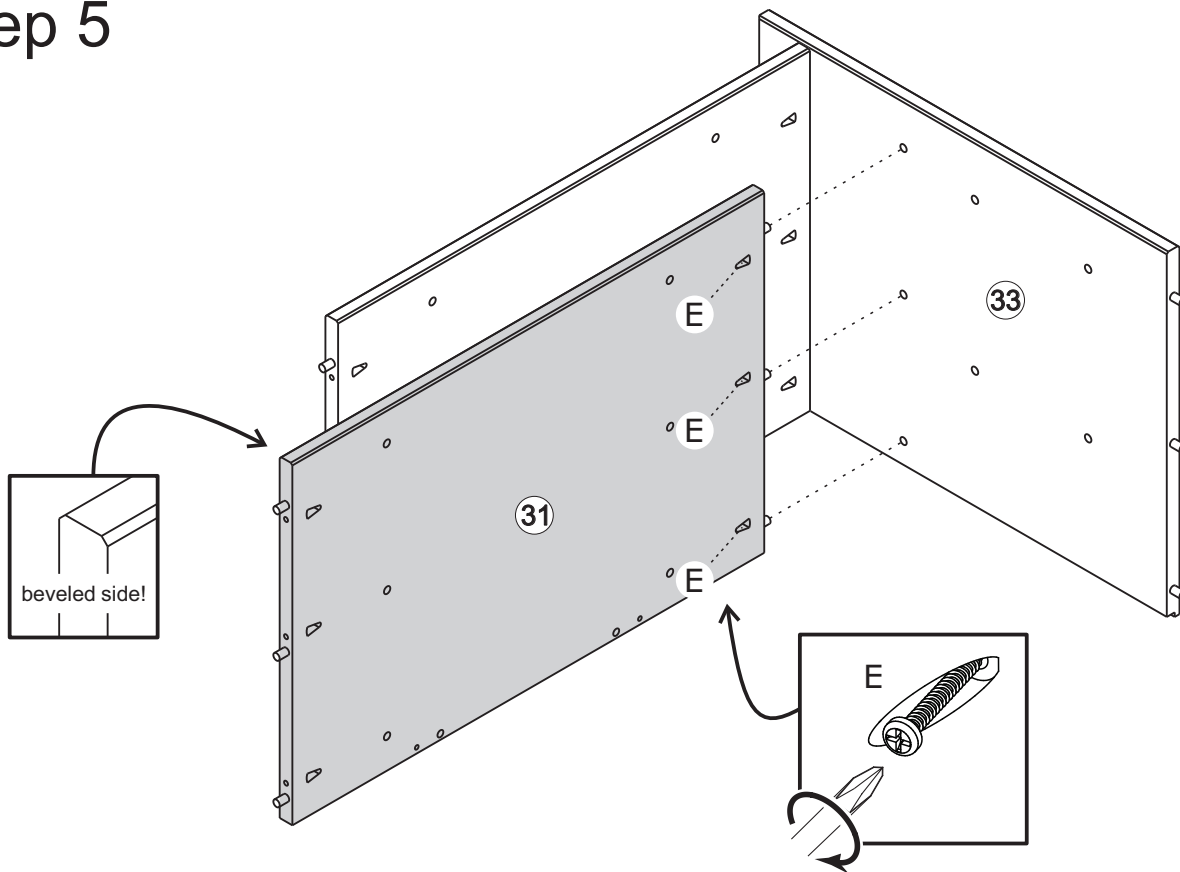
Step 4



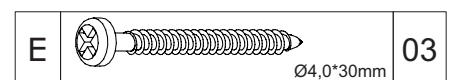
Secure part (31) and (38) to part (33), attach part (31) to part (33) with screw (E) and screwdriver (not included).



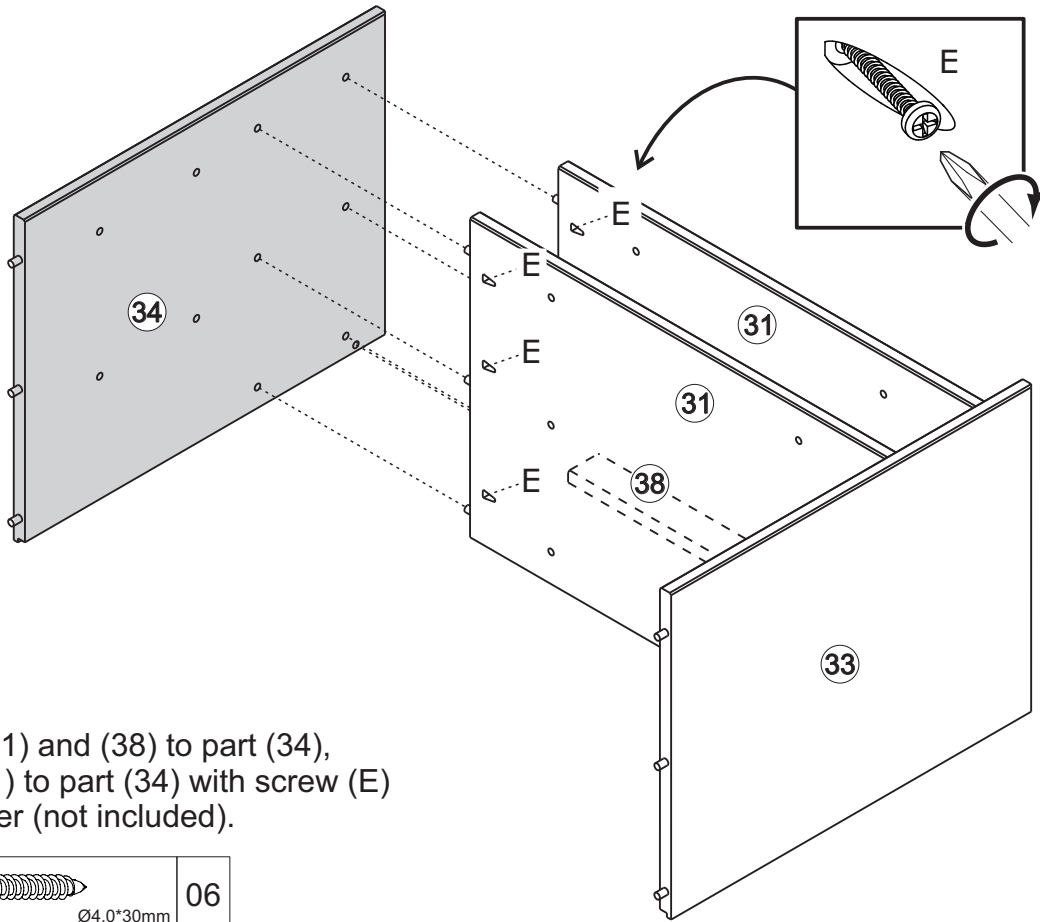
Step 5



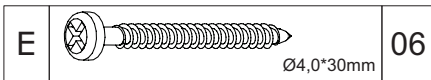
Secure part (31) to part (33), attach part (31) to part (33) with screw (E) and screwdriver (not included).



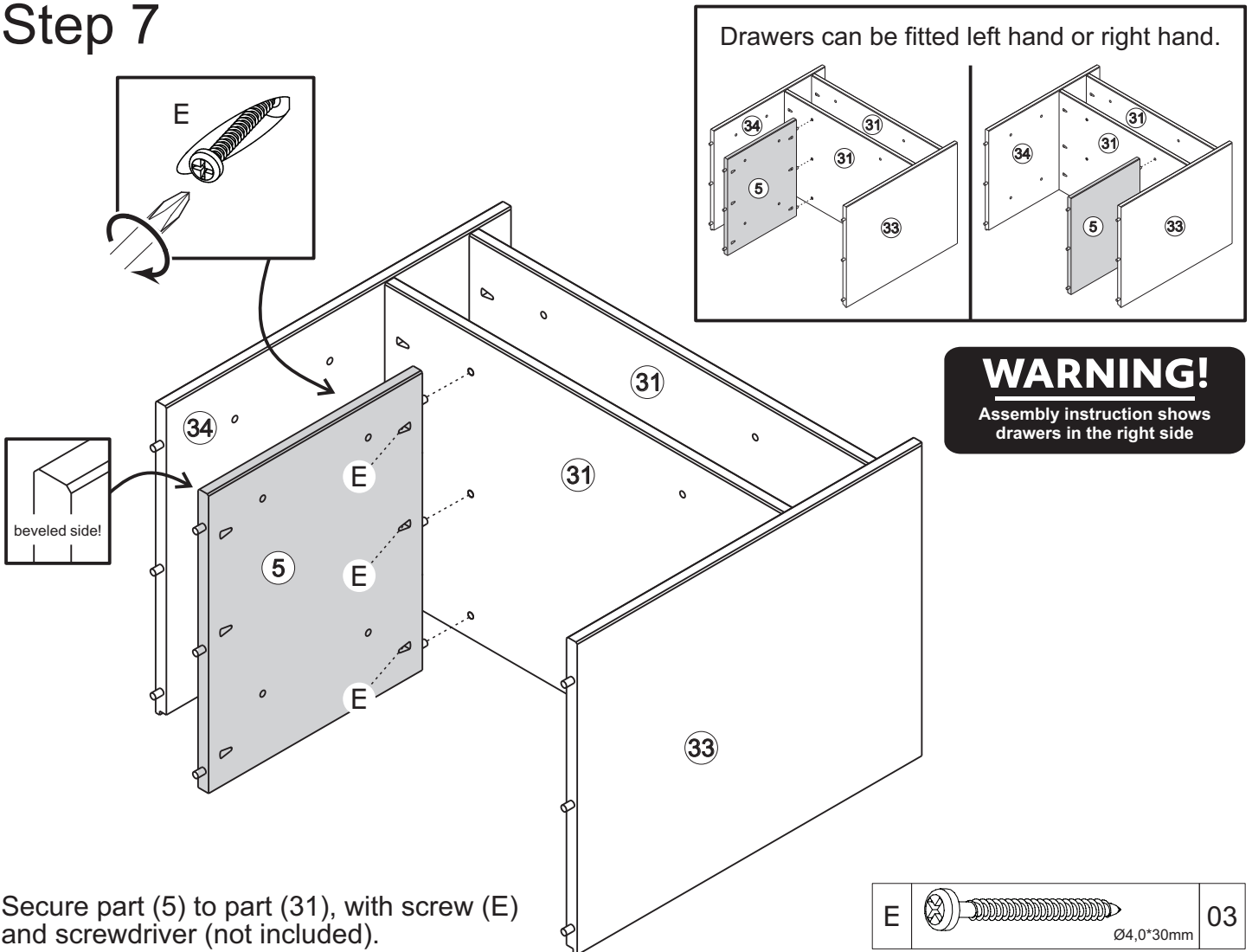
Step 6



Secure part (31) and (38) to part (34), attach part (31) to part (34) with screw (E) and screwdriver (not included).



Step 7

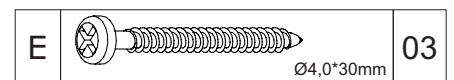


Drawers can be fitted left hand or right hand.

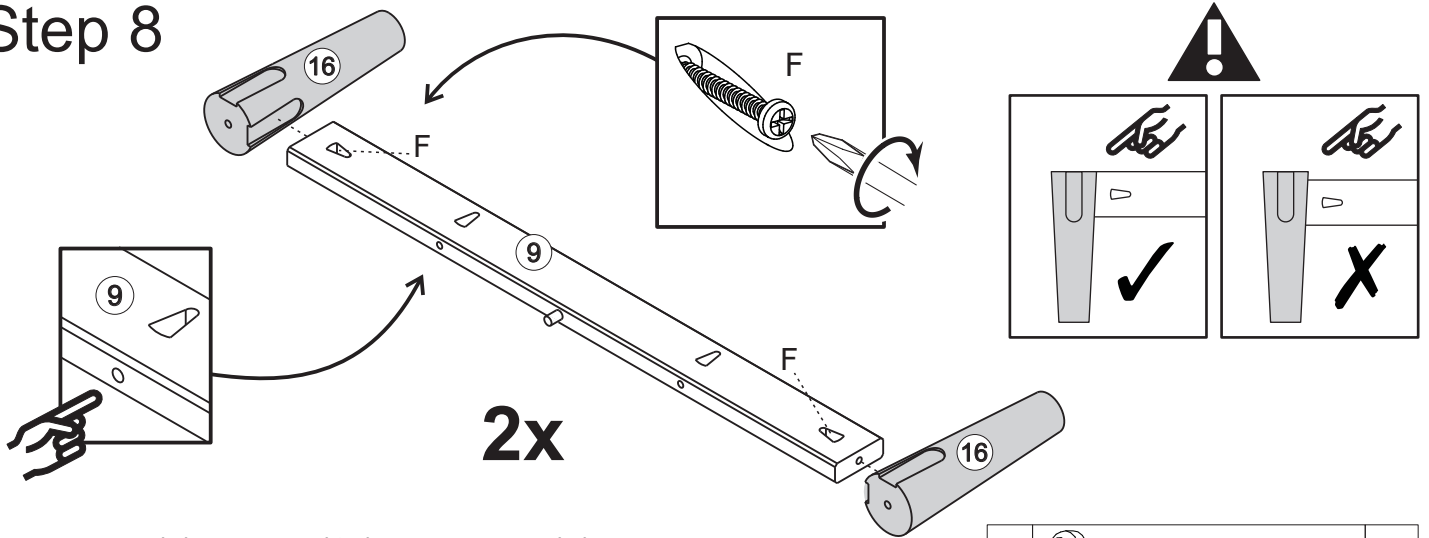
WARNING!

Assembly instruction shows drawers in the right side

Secure part (5) to part (31), with screw (E) and screwdriver (not included).



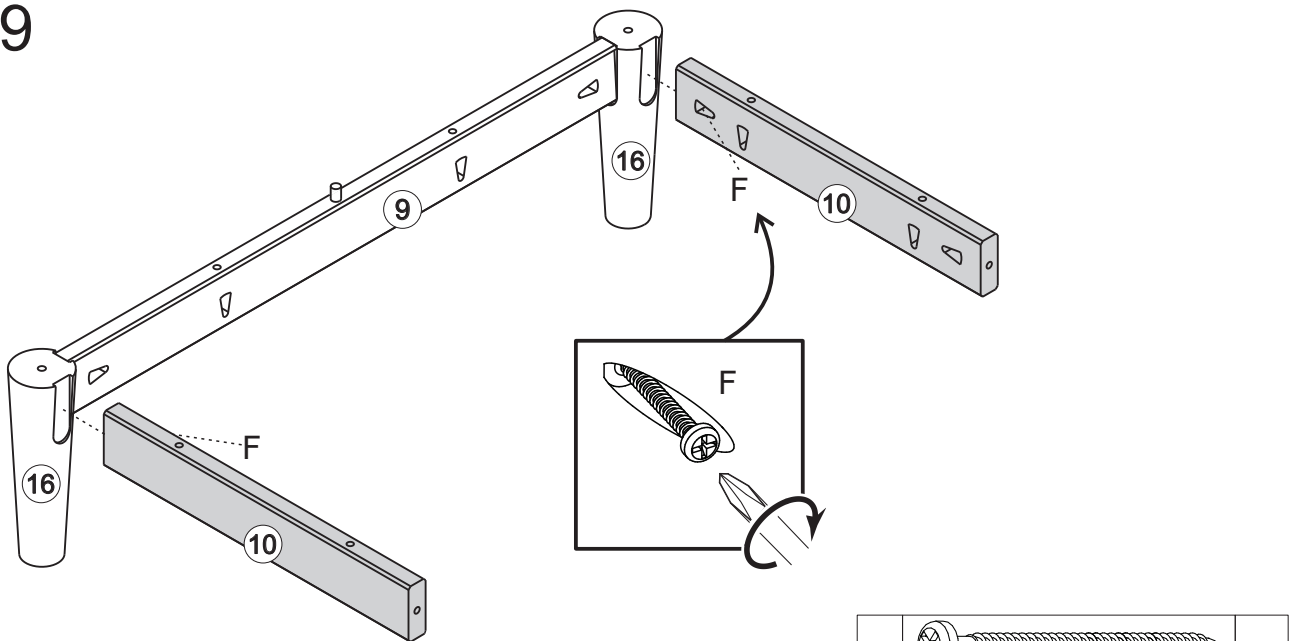
Step 8



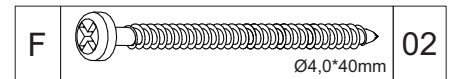
Secure part (9) to parts (16), with screw (F) and screwdriver (not included).



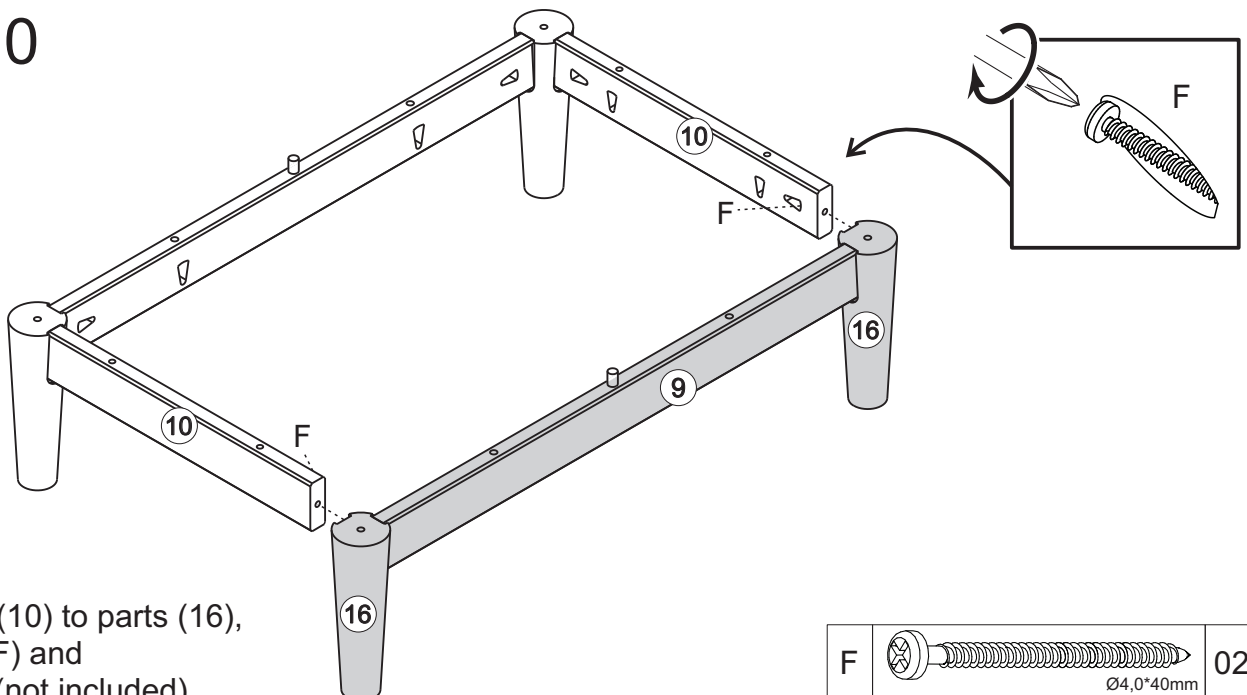
Step 9



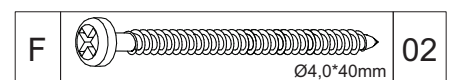
Secure part (10) to parts (16), with screw (F) and screwdriver (not included).



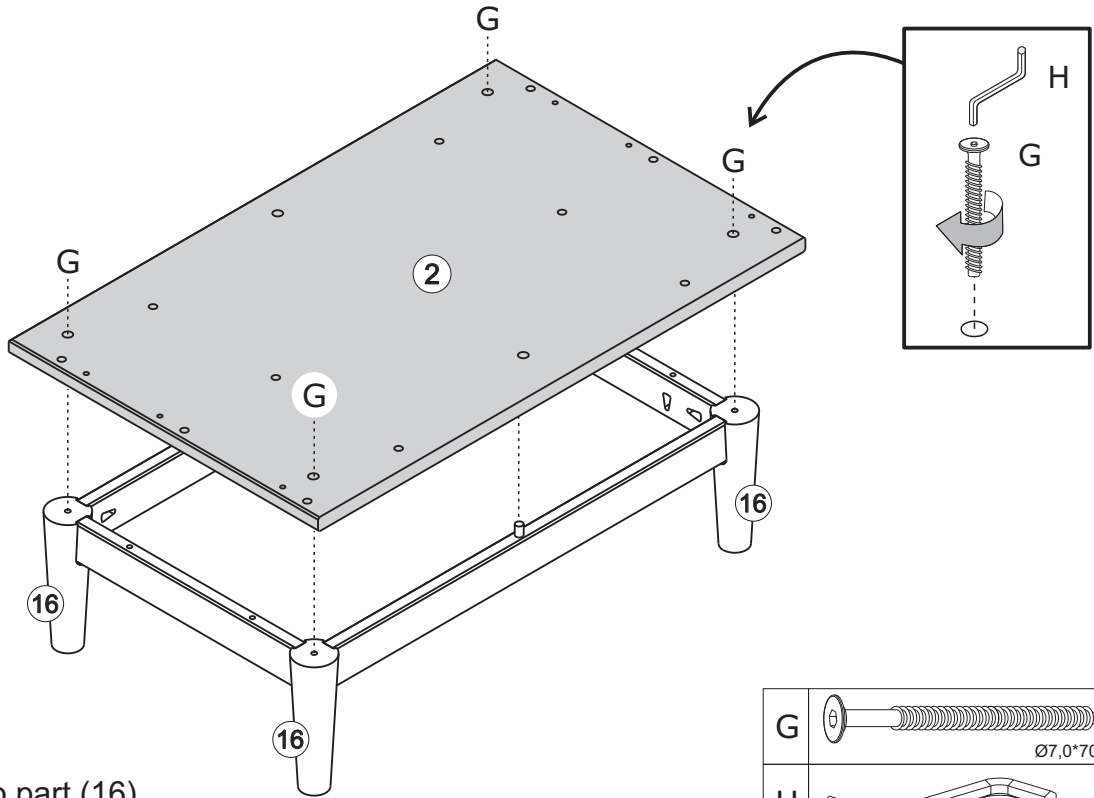
Step 10





Secure part (10) to parts (16), with screw (F) and screwdriver (not included).



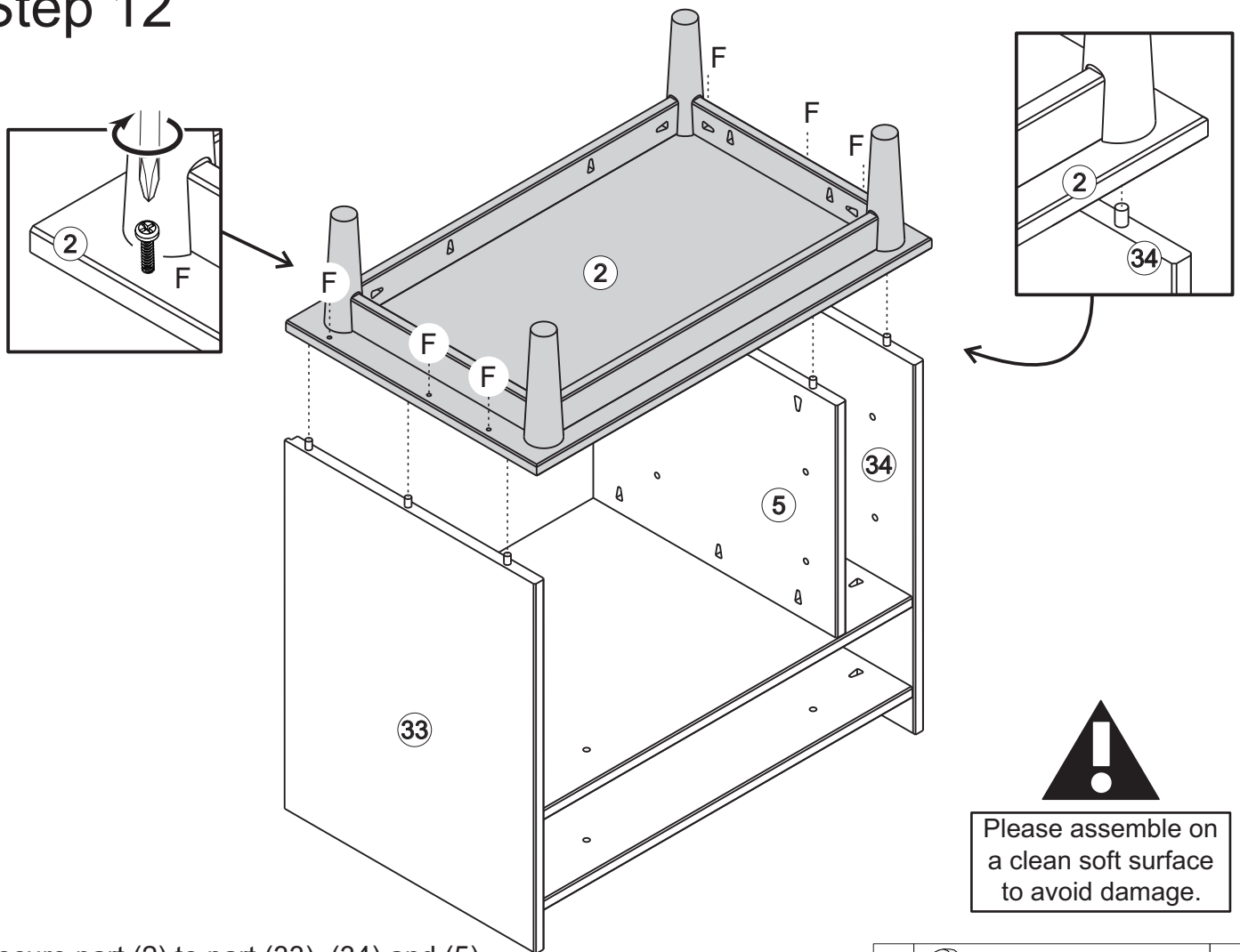
Step 11




Secure part (2) to part (16) with screw (G) and hex key (H).

G		04 Ø7,0*70mm
H		01

Step 12



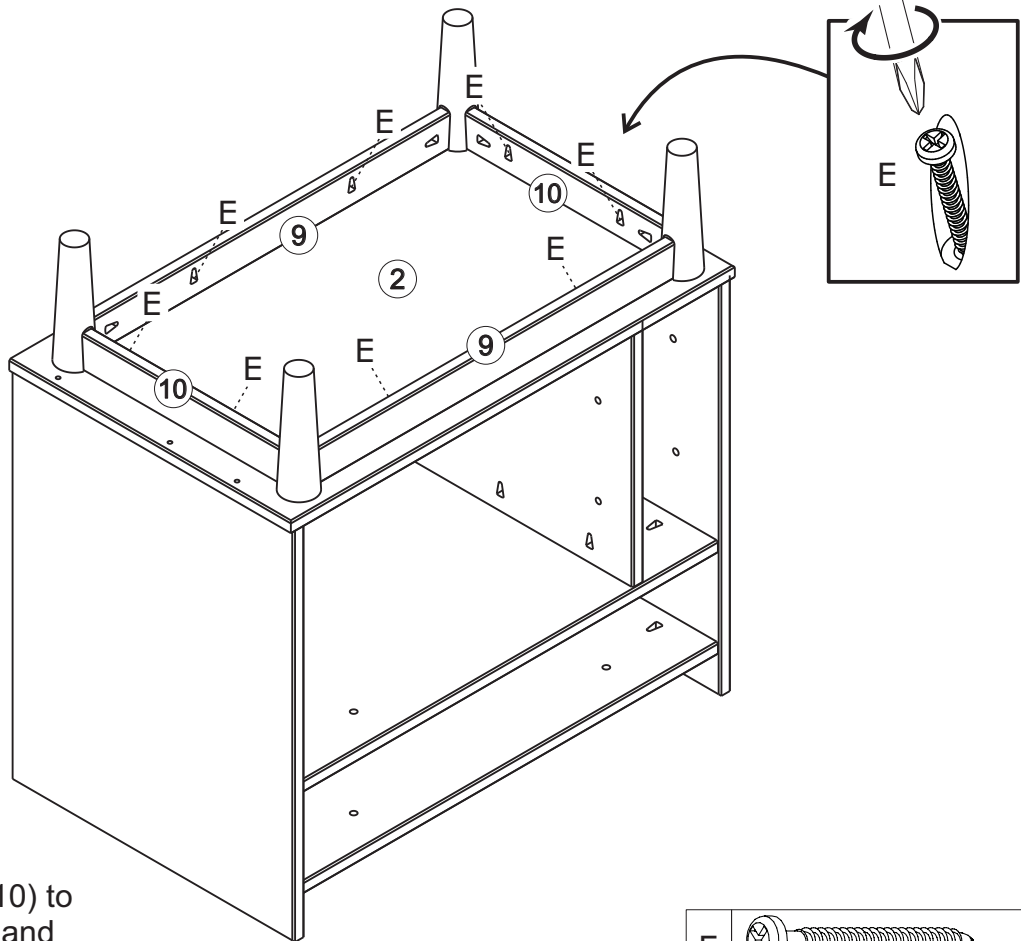
Secure part (2) to part (33), (34) and (5) with screw (F) and screwdriver (not included).

F		06 Ø4,0*40mm
---	---	-----------------

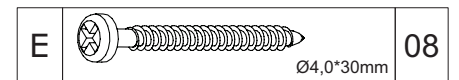


Please assemble on a clean soft surface to avoid damage.

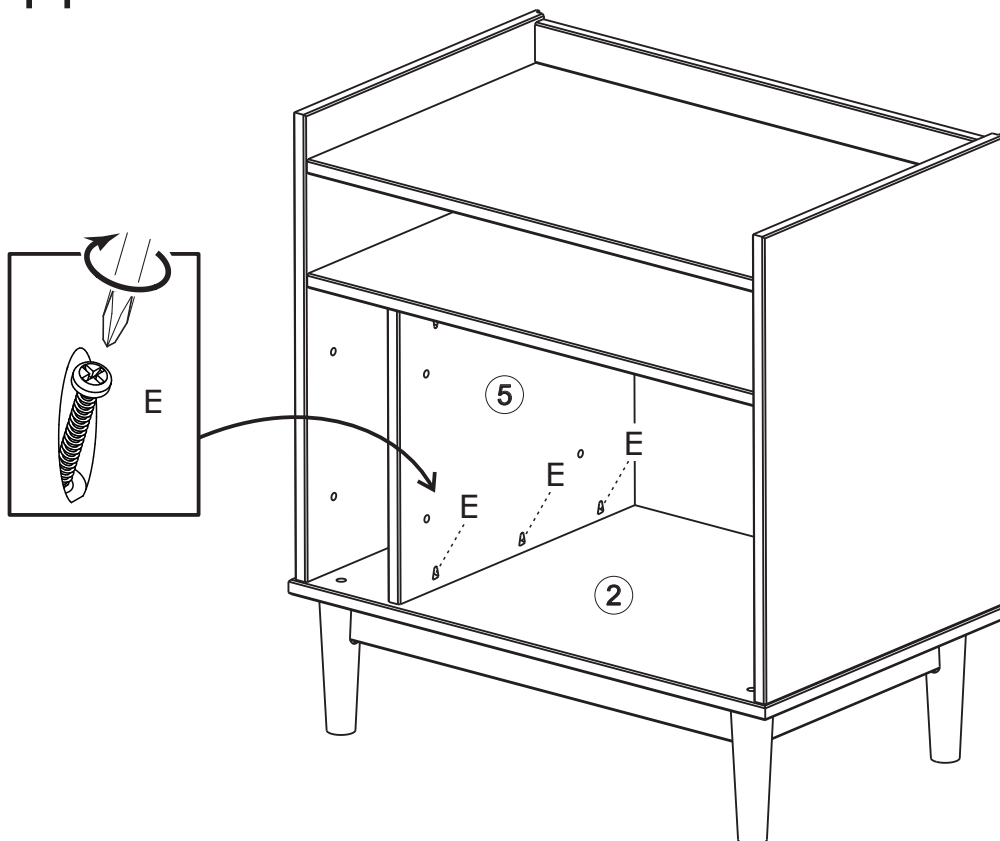
Step 13



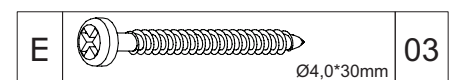
Secure parts (9) and (10) to part (2) with screw (E) and screwdriver (not included).



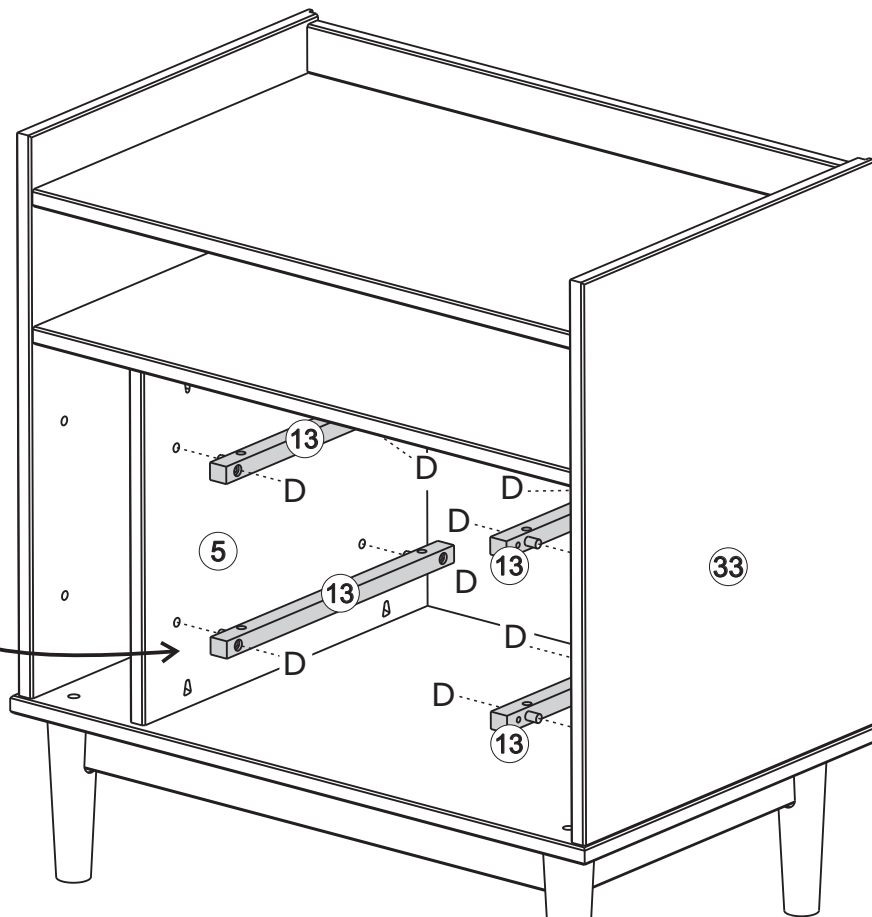
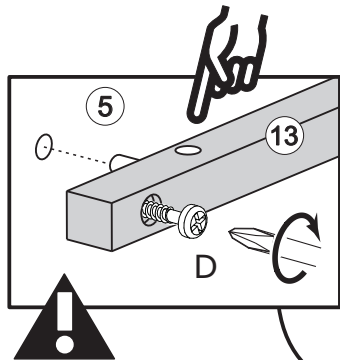
Step 14



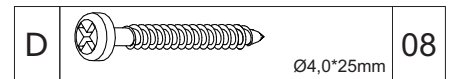
Secure part (5) to part (2) with screw (E) and screwdriver (not included).



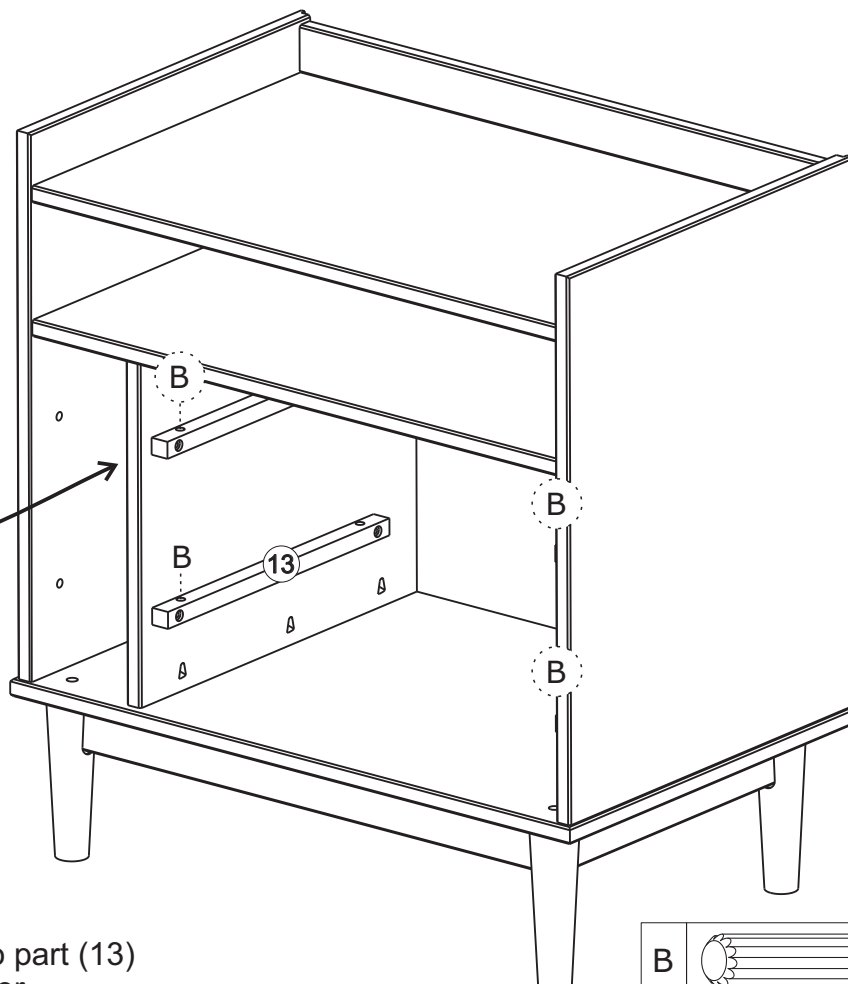
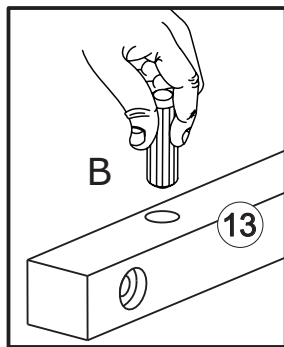
Step 15



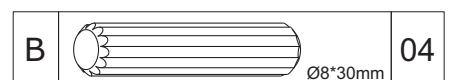
Secure parts (13) to part (5) and (33) with screw (D) and screwdriver (not included).



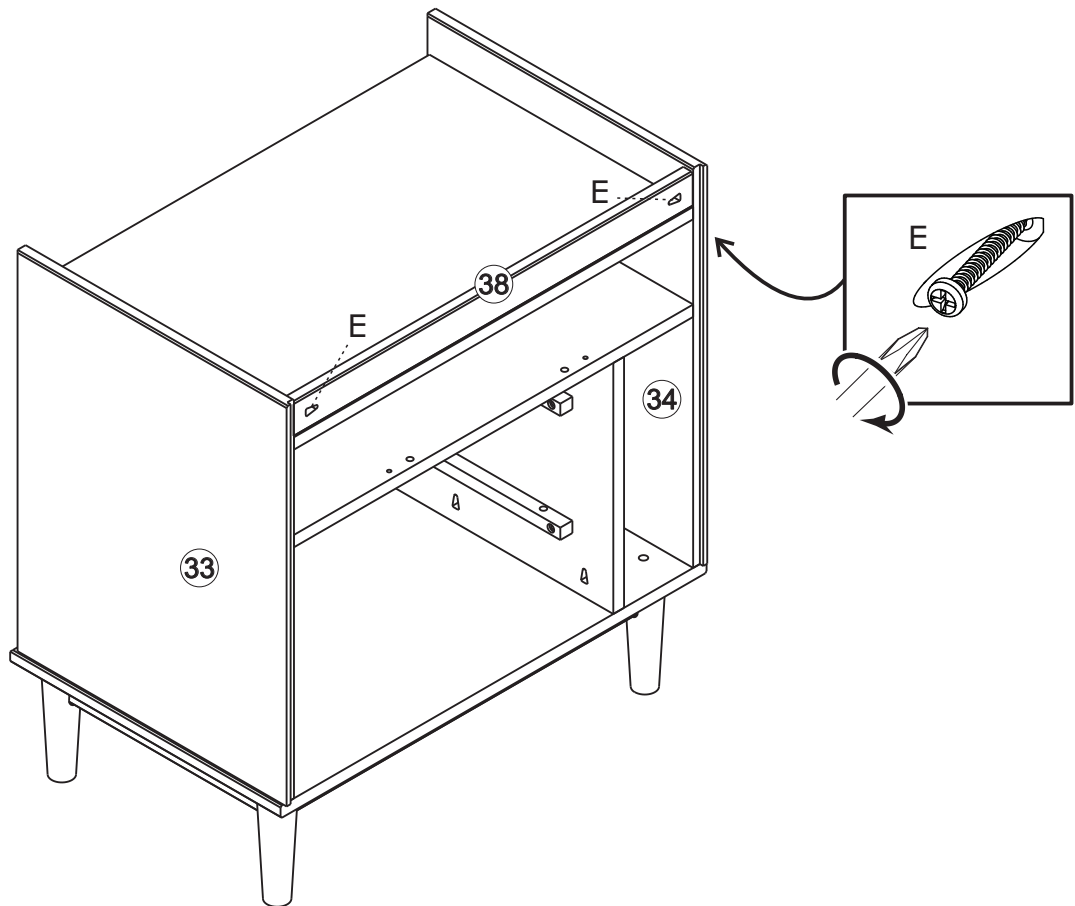
Step 16



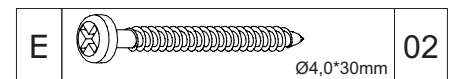
Insert wood dowel (B) into part (13) to be the stop of the drawer.



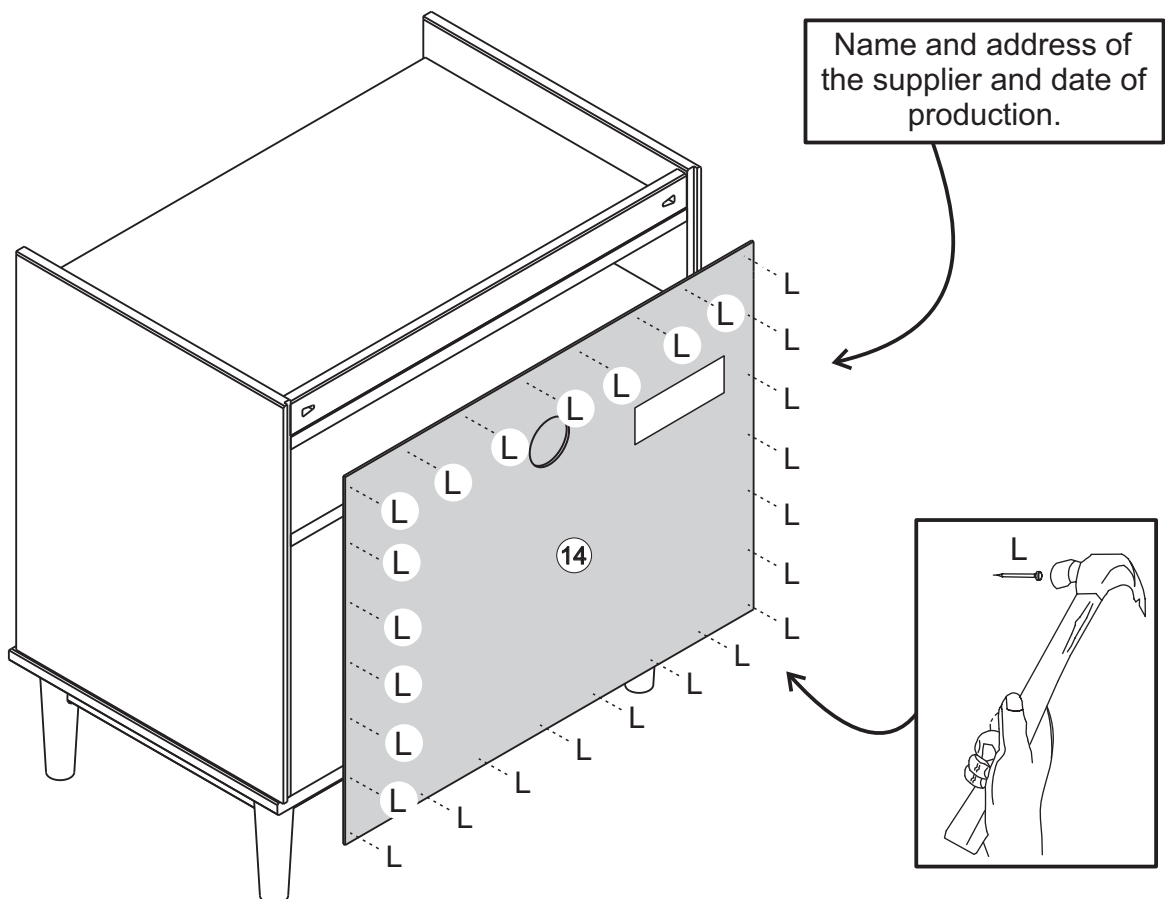
Step 17



Secure part (38) to part (33) and (34) with screw (E) and screwdriver (not included).



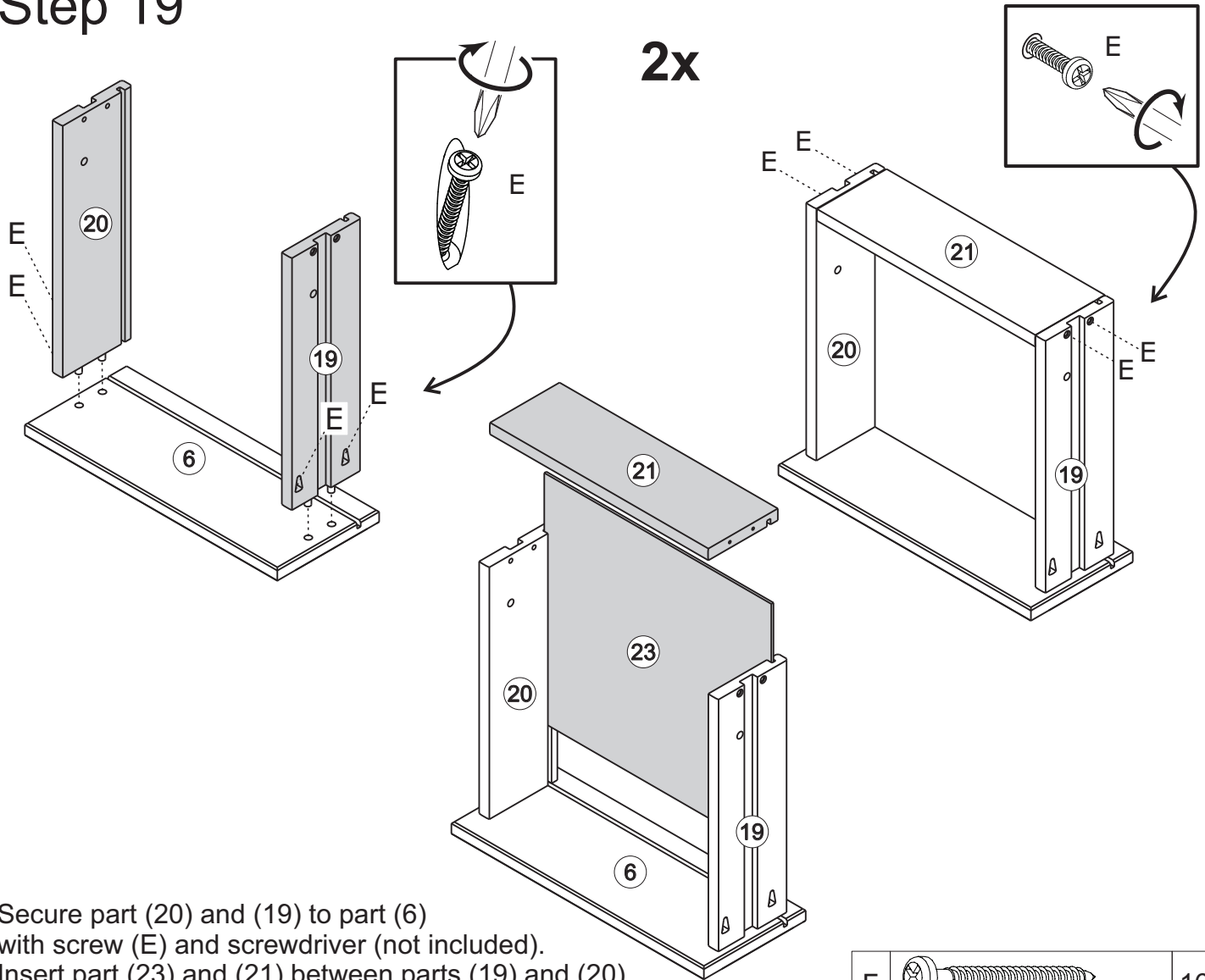
Step 18




Secure back panel (14) as shown at above view to body with nails (L) and hammer (not included).



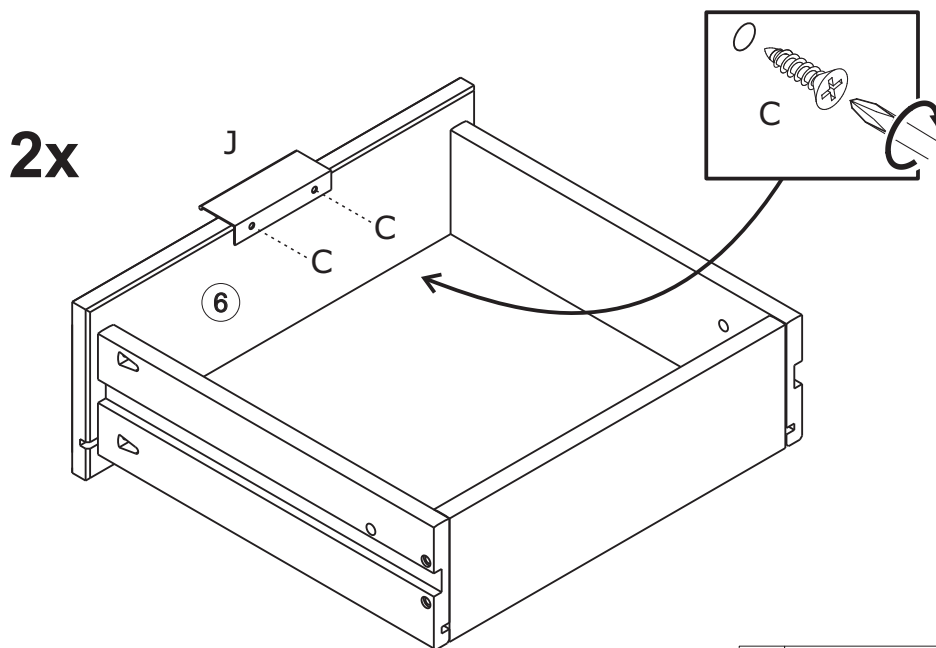
Step 19




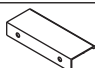
Secure part (20) and (19) to part (6) with screw (E) and screwdriver (not included).
 Insert part (23) and (21) between parts (19) and (20).
 Secure part (21) with screw (E) and screwdriver (not included).

E		16
<small>Ø4,0*30mm</small>		

Step 20



Secure handle (J) with screw (C) and screwdriver (not included), in the pre holes on the drawer front.

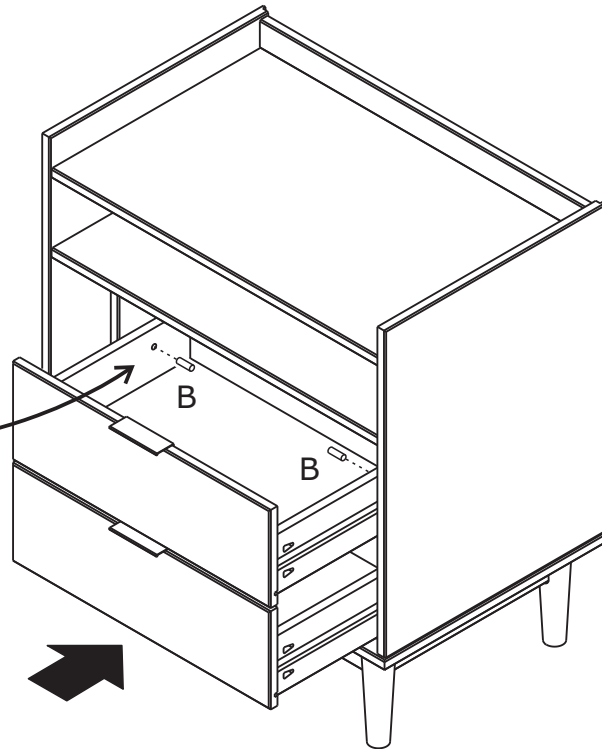
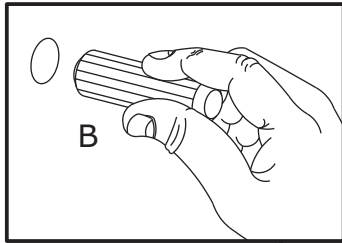
C		04
<small>Ø3,0*12mm</small>		
J		02

Step 21

Drawer Stop

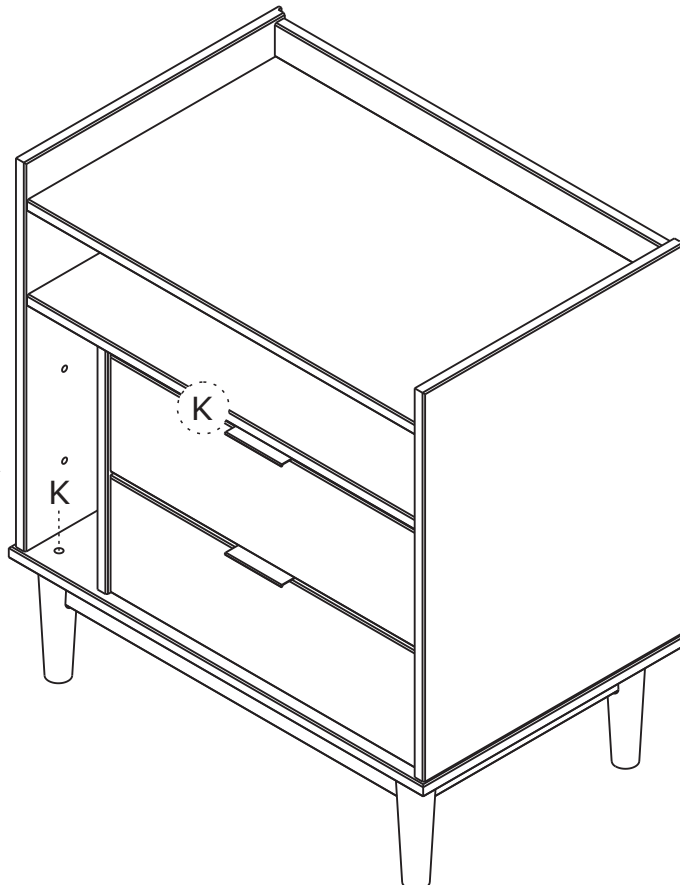
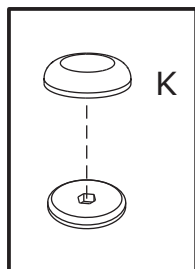
Make sure dowel is flush with panel.

Insert wood dowel (B) on the inside of all drawers while drawer is inside the unit, after having passed the dowel added the drawer runner.



Step 22

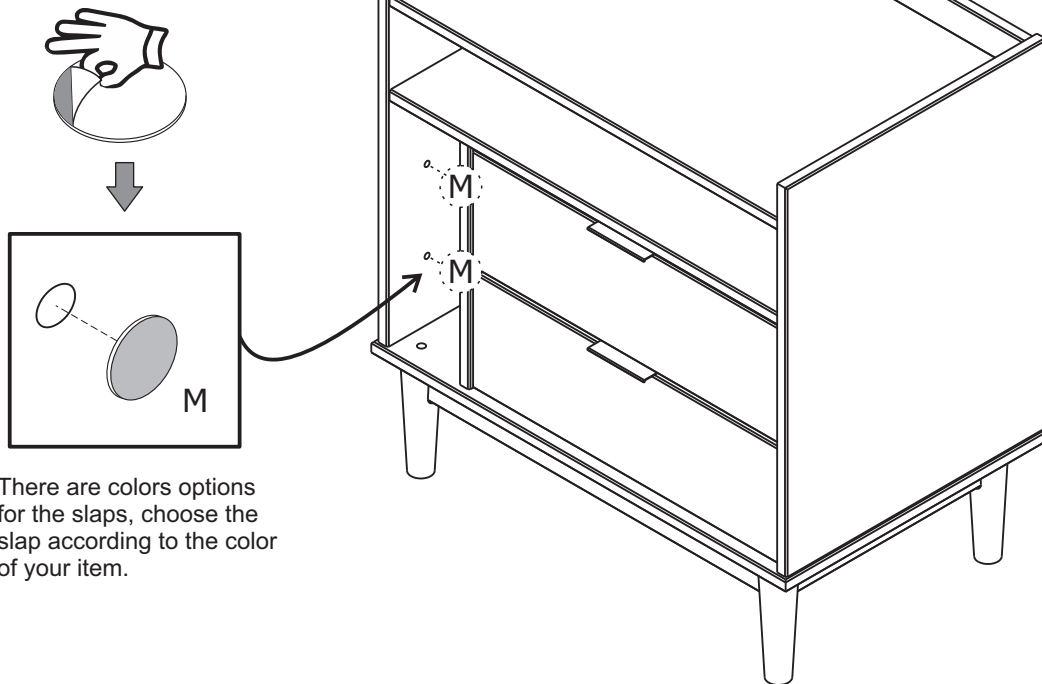
There are colors options for the caps, choose the cap according to the color of your item.



Insert the cap (K) into the screw head.



Step 23

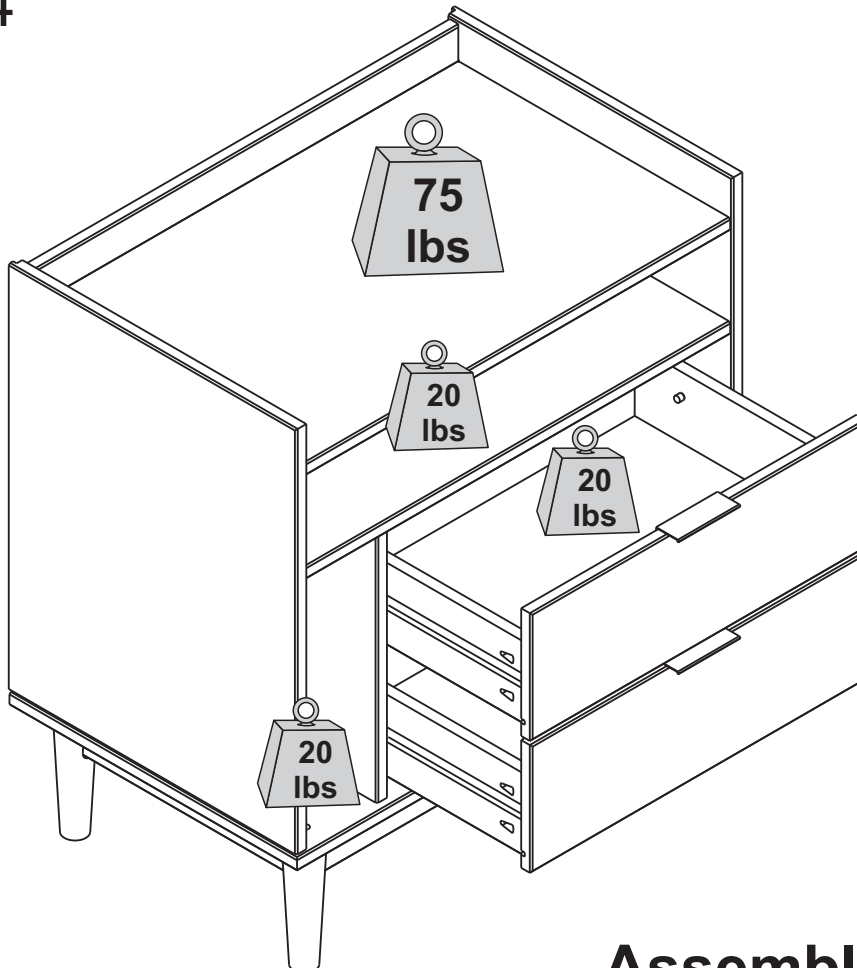


There are colors options for the slaps, choose the slap according to the color of your item.

Insert the slap hole (M) into the niche.



Step 24



Assembly Complete!