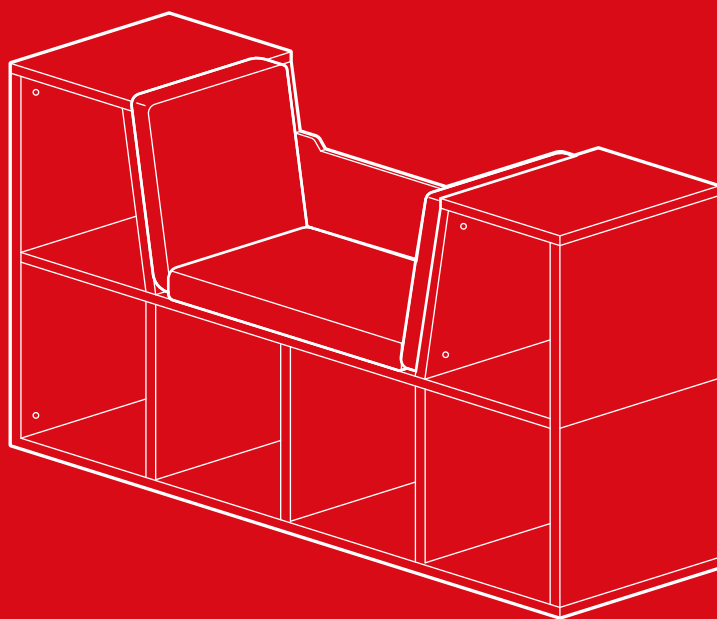




bestchoiceproducts



INSTRUCTION MANUAL

Bookcase with Reading Nook



bestchoiceproducts

Thank you for choosing us! Since 2002, Best Choice Products has been bringing customers high-quality products at the absolute lowest price. With everything ranging from instruments and toys to furniture and outdoor, we've got your everyday living essentials covered. We're centered around a customer-first philosophy - with free shipping, exceptional customer service, and a catalog sourced with you in mind.

NOTICE

Please retain these instructions for future reference.

- Please do not exceed the weight limitations of this item.
- Product is intended for indoor use only.
- Do not stand on or use any part of this item as a step ladder.
- Firmly secure all bolts, screws and knobs before use.
- Reconfirm that all bolts, screws, and knobs are secure every 90 days.
- Do not use or store this item in the proximity of open flame or flammable/combustible chemicals.
- If any parts are missing, broken, damaged, or worn, stop using this item until repairs are made and/or factory replacement parts are installed.
- Do not use this item in a way inconsistent with the manufacturer's instructions as this could void the product warranty.
- To wipe down the furniture, use a damp cloth. Then, wipe it down once more with a dry cloth.

TOOLS REQUIRED



PHILLIPS
SCREWDRIVER



110 LBS
WEIGHT
CAPACITY



1 PERSON
ASSEMBLY



APPROXIMATELY
45 MIN.
ASSEMBLY

HARDWARE

A

CAM LOCK



22 PCS

B

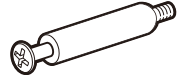
CAM BOLT



14 PCS

C

LARGE CAM
BOLT



8 PCS

D

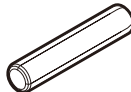
M3 x 35mm
SCREW



14 PCS

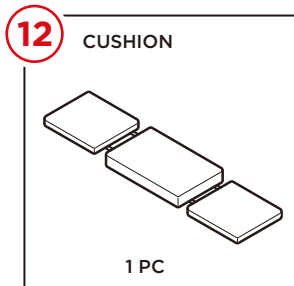
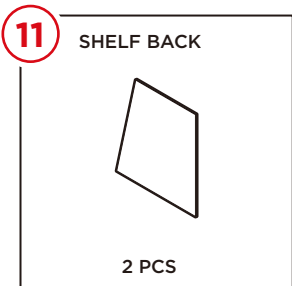
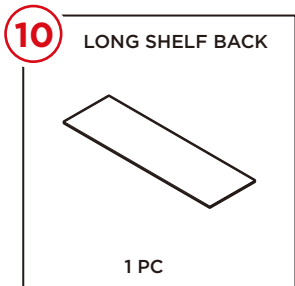
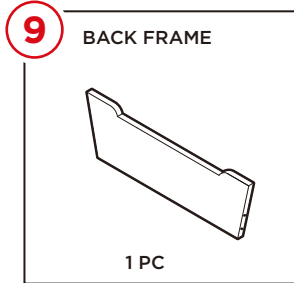
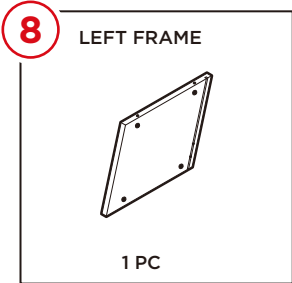
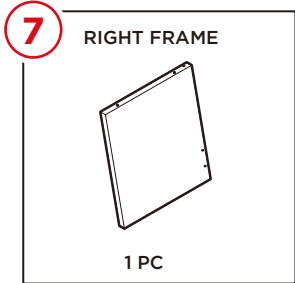
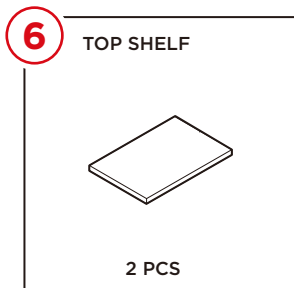
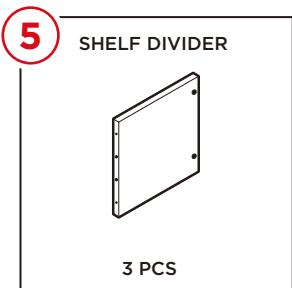
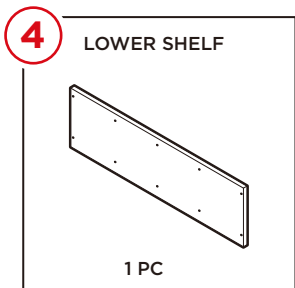
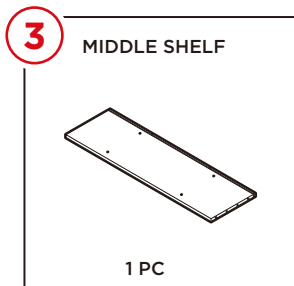
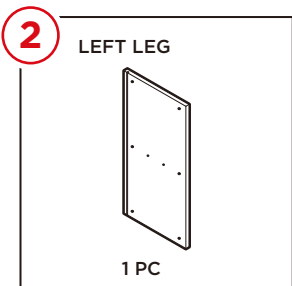
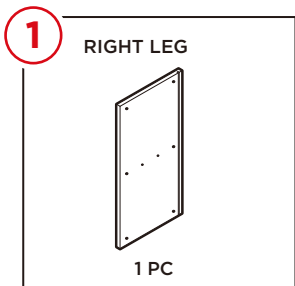
E

DOWEL



26 PCS

PARTS

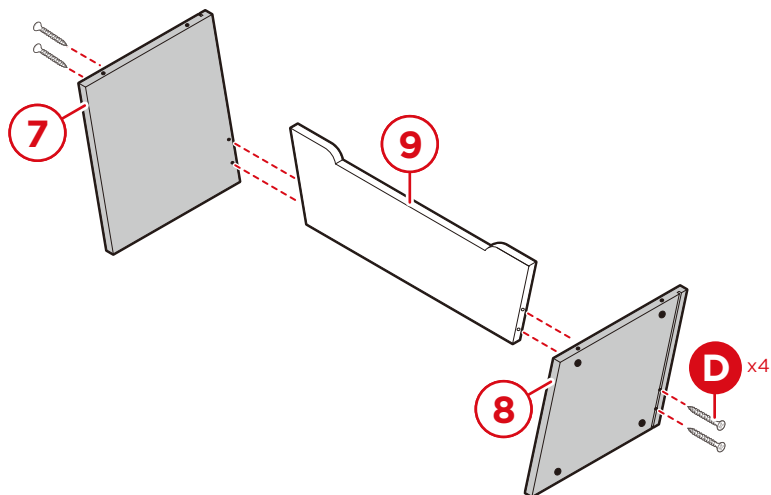


PRODUCT ASSEMBLY

Please retain these instructions for future reference.

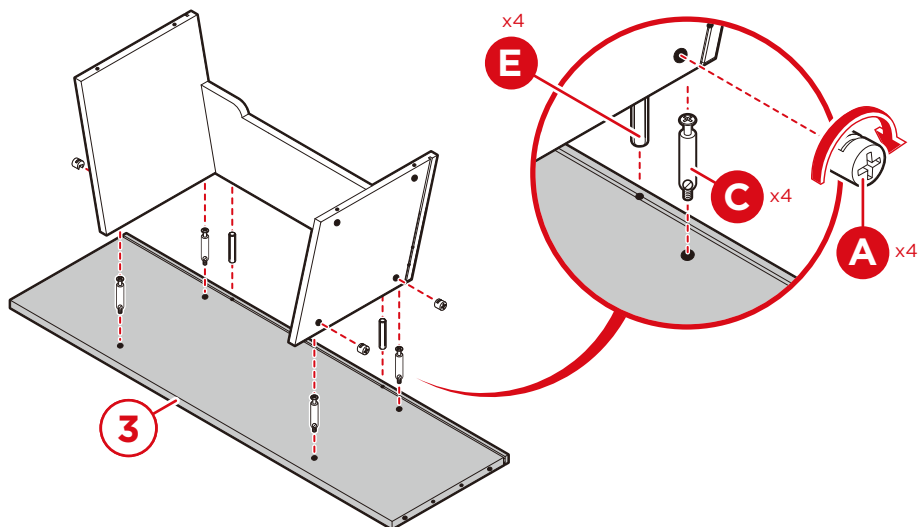
1

Attach the part 7 right frame and part 8 left frame to the part 9 back frame with four part D screws, two on each side.



2

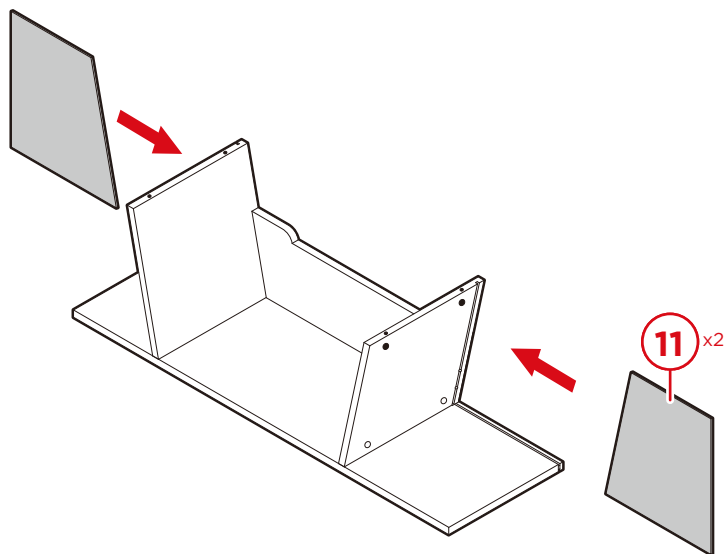
Screw four part C large cam bolts and insert two part E dowels into the part 3 middle shelf, then insert the cam bolts/dowels into the nook frame. Insert four part A cam locks into the nook frame and fasten the cam locks to attach the middle shelf.



PRODUCT ASSEMBLY

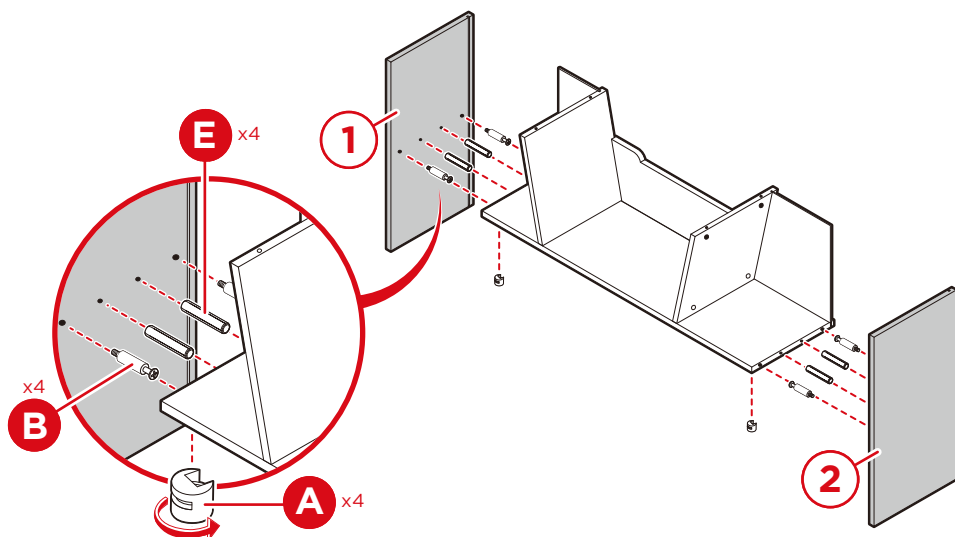
3

Slide two part 11 shelf backs into the slots on the middle shelf.



4

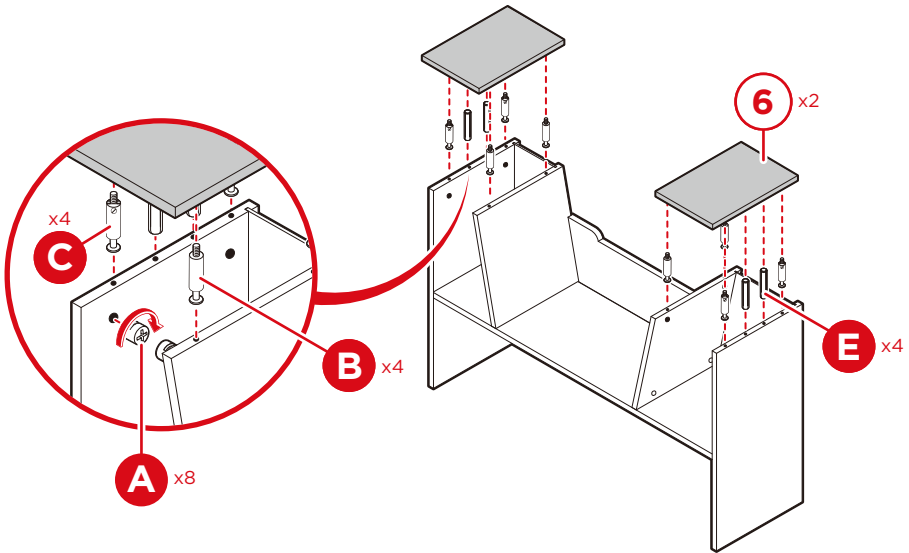
Screw two part B cam bolts and insert two part D dowels into the part 1 right leg, then insert the cam bolts/dowels into the middle shelf. Insert two part A cam locks into the middle shelf and fasten the cam locks to attach the right leg. Repeat on the other side to attach the part 2 left leg.



PRODUCT ASSEMBLY

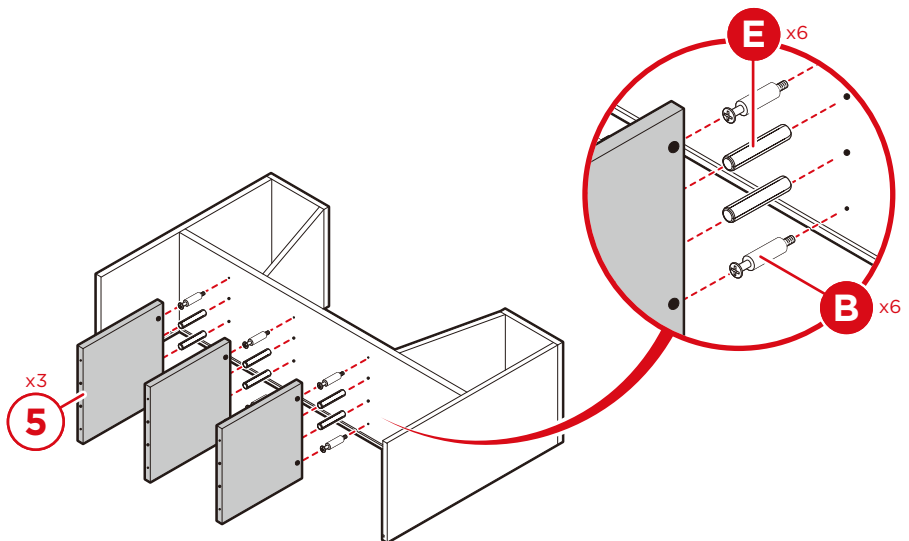
5

In a part 6 top shelf, screw two part B cam bolts and two part C large cam bolts, and insert two part E dowels. Insert the cam bolts/dowels into the frame. Insert four part A cam locks into the frame and fasten the cam locks to attach the top shelf. Repeat on the other side to attach another part 6 top shelf.



6

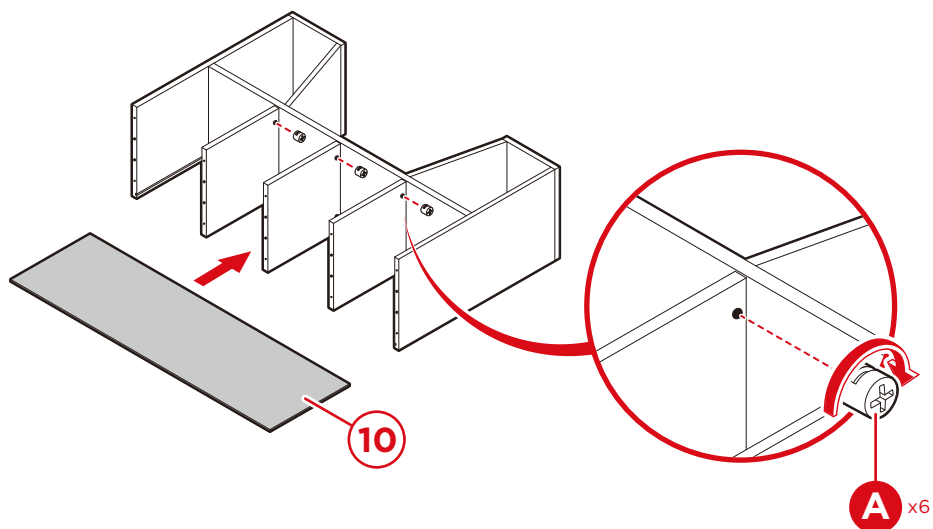
Screw six part B cam bolts and insert six part E dowels into the middle shelf of the frame, then insert the cam bolts/dowels into three part 5 shelf dividers.



PRODUCT ASSEMBLY

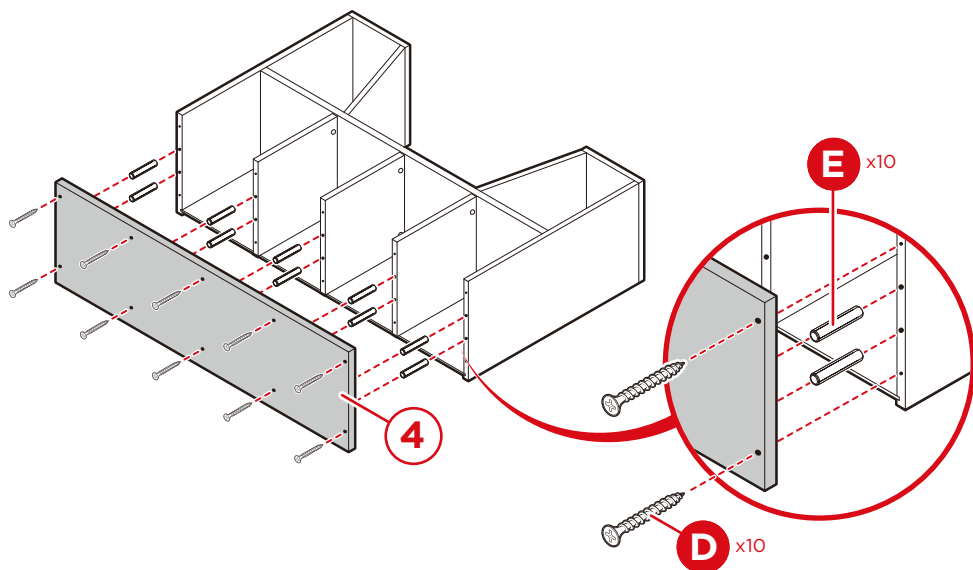
7

Insert six part A cam locks into the part 5 shelf dividers. Fasten the cam locks to attach the shelf dividers. Slide the part 10 long shelf back into the slots on the frame.



8

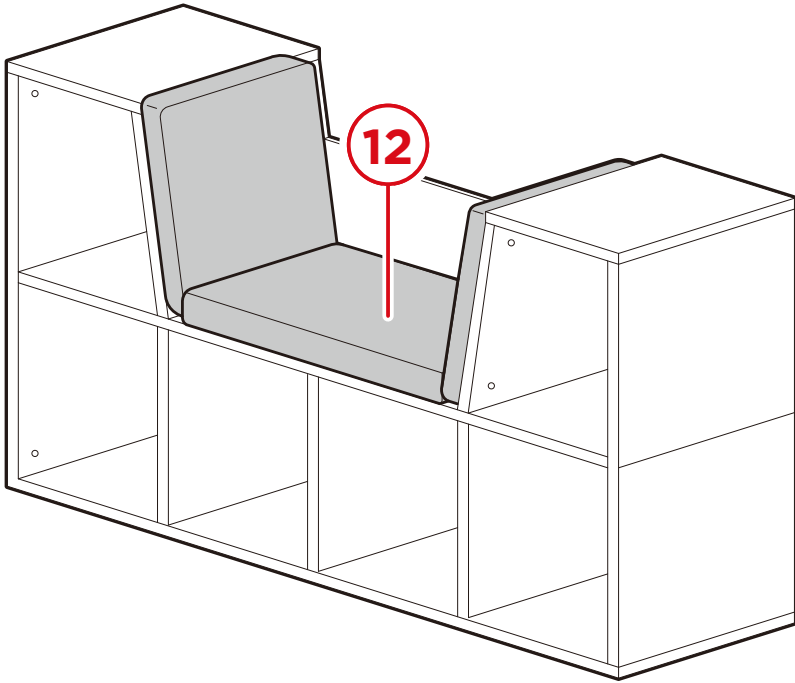
Insert ten part E dowels into the bottom of the frame. Attach the part 4 lower shelf with ten part D screws.



PRODUCT ASSEMBLY

8

Place the part 12 cushion.





bestchoiceproducts

Check out more great products:

[bestchoiceproducts.com](https://www.bestchoiceproducts.com)

Earn points while you shop. Join today!

bestchoiceproducts
rewards

Join | Earn | Redeem

Give your friends 15% off their first order! For each successful referral you'll receive 100 points.

bestchoiceproducts.com



HELP CENTER



Question about your product? We're here to help. Visit us at:

help.bestchoiceproducts.com



Chat Support



Product Inquiry



Orders FAQ



Product Assembly



Returns & Refunds

PRODUCT WARRANTY INFORMATION

All items can be returned for any reason within 60 days of the receipt and will receive a full refund as long as the item is returned in its original product packaging and all accessories from its original shipment are included. All returned items will receive a full refund back to the original payment method. All returned items will not be charged a re-stocking fee.

All returned items require an RA (Return Authorization) number, which can only be provided by a Best Choice Products Customer Service Representative when the return request is submitted. Items received without an RA may not be accepted or may increase your return processing time. Once an item has been received by Best Choice Products, refunds or replacements will be processed within 5 business days.

All returns must be shipped back to the Best Choice Products Return Center at the customer's expense. If the reason for return is a result of an error by Best Choice Products then Best Choice Products will provide a pre-paid shipping label via email. Boxes for return shipping will not be provided by Best Choice Products, and is the customer's responsibility to either use the original shipping boxes or purchase new boxes.

Pictures may be required for some returns to ensure an item is not damaged prior to its return. Items returned are not considered undamaged until they are received by Best Choice Products and verified as such. All damages to items are the customer's responsibility until the item has been received by and acknowledge by Best Choice Products as undamaged.



WARNING

Manufacturer and seller expressly disclaim any and all liability for personal injury, property damage or loss, whether direct, indirect, or incidental, resulting from the incorrect attachment, improper use, inadequate maintenance, or neglect of this product.