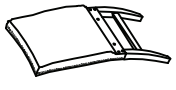




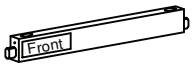



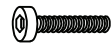




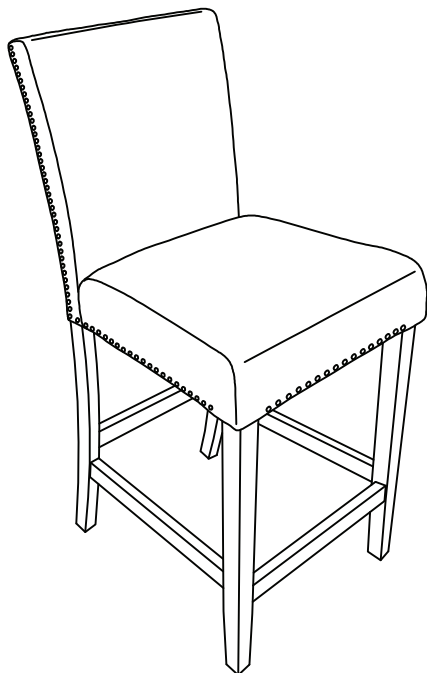


ASSEMBLY INSTRUCTION

24"H COUNTER HEIGHT CHAIR

A Backrest  1 pc	B Chair Seat  1 pc	C Front Left Leg  1 pc	D Front Right Leg  1 pc
E Front Stretcher  1 pc	F Left Stretcher  1 pc	G Right Stretcher  1 pc	H Allen Bolt $\text{\O}5/16'' \times 1-1/2''$  2 pcs
I Allen Bolt $\text{\O}5/16'' \times 2-1/2''$  4 pcs	J Allen Bolt $\text{\O}5/16'' \times 3-1/2''$  4 pcs	K Screw $\#8 \times 1-1/2''$  6 pcs	L Spring Washer $\text{\O}5/16''$  10 pcs
M Flat Washer $\text{\O}5/16'' \times 2-1/2''$  10 pcs	N Allen Key M5  1 pc		



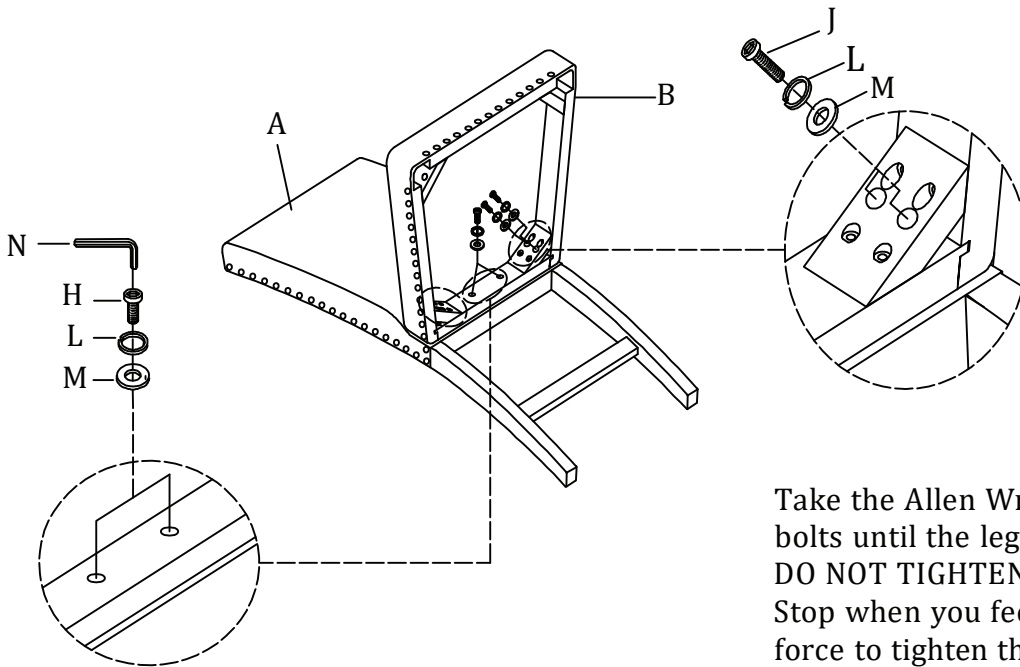
This page lists all the contents included in the box. Please take the time to identify the hardware as well as the individual components to this product. As you unpack and prepare for assembly, place the contents on a carpeted or padded area to protect them from damage.

IMPORTANT NOTE:

1. Do not tighten all screws / bolts until all completely assembled.
2. Keep all hardware parts out of reach of children.

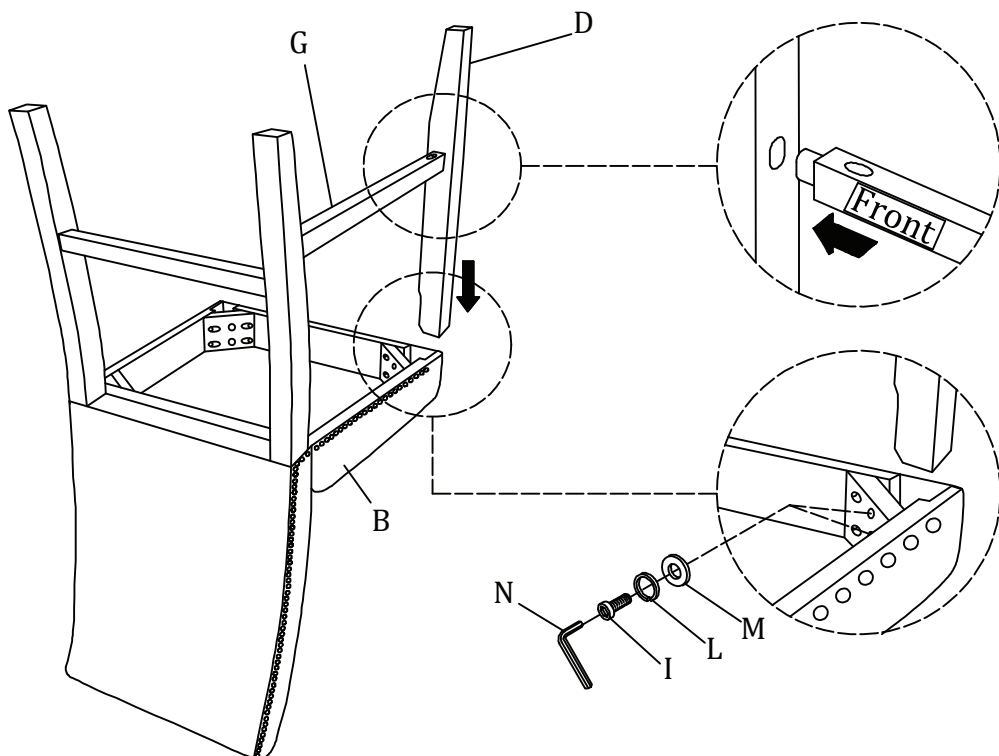
***Do not tighten screws & bolts until the entire unit is completely assembled.

- 1 Attach the Chair Seat (B) to the Backrest (A) using Allen Bolt (H) (center) / Allen Bolt (J) (corners), Spring Washer (L) and Flat Washer (M) with Allen Key (N).



Take the Allen Wrench, and turn the bolts until the legs are secured. DO NOT TIGHTEN COMPLETELY. Stop when you feel you are adding force to tighten the bolt.

- 2 Attach the Front Right Leg (D) and Right Stretcher (G) to Chair Seat (B) using Allen Bolt (I), Spring Washer (L) and Flat Washer (M) with Allen Key (N).

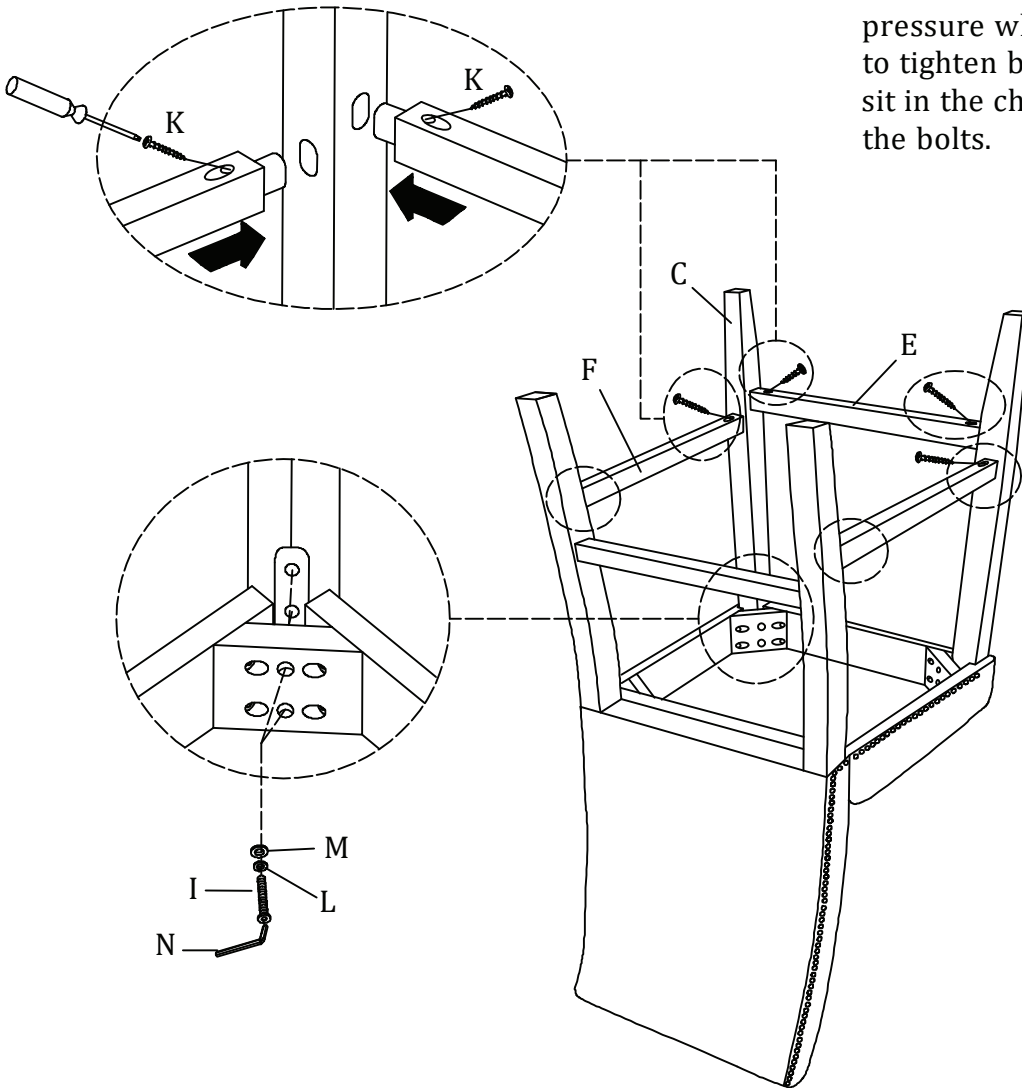


***Do not tighten screws & bolts until the entire unit is completely assembled.

- 3** Attach the Front Left Leg (C), Left Stretcher (F) and Front Stretcher (E) to the Chair Seat (B) using Screw (K) with a Phillips head screwdriver (not provided). Attach the Front Left Leg (C) to the Chair Seat (B) using Allen Bolt (I), Spring Washer (L) and Flat Washer (M) with Allen Key (N).

Helpful Tip:

-Instead of applying downward pressure while reaching under to tighten bolts, have someone sit in the chair while you tighten the bolts.



Stand chair up on an even surface and check that it is balanced. If there is a slight wobble, apply downward pressure in the corner where a leg is uneven. Keeping pressure in that corner, tighten all bolts. If balanced, apply downward pressure evenly in the center and tighten all bolts. Do not over tighten beyond hole depth.

Cleaning & Care

Treat surfaces with care. Surfaces are resistant to scratches but are not scratch resistant. Clean surfaces with a dry or damp soft cloth. Do not use abrasive cleaners. Hardware may loosen over time. Periodically check that all connections are tight.