

# EMO

## Self-Diagnostic Outdoor Emergency Kit

Project \_\_\_\_\_

Catalog \_\_\_\_\_

Type \_\_\_\_\_

Date \_\_\_\_\_

### Product Description

The EMO is an external LED emergency driver and battery for field installation that enables normal and emergency operation of an LED fixture. Built to withstand various environmental conditions, the EMO is enclosed in a durable weather-proof casing, making it ideal for outdoor use. During a power failure, the EMO activates emergency mode to deliver consistent output power to the fixture for a minimum of 90 minutes. For added convenience, the kit features a lighted test button with status indicator allowing for easy functionality checks. The EMO allows you to add emergency battery backup to most outdoor LED fixtures.

#### Construction

- Die-cast aluminium housing with sealed enclosure
- Separate emergency driver and battery
- Heavy duty steel case
- Red powder coat finish (driver), galvanized (battery)
- 20" leads on test button

#### Electrical

- Long life high temperature Li-Ion battery
- Constant power design provides consistent lumen output for >90 minutes
- Self-Diagnostic test circuitry
- 24 hour recharge time
- Operating temperature rating of 41°F to 122°F (5°C to 50°C)
- Intrinsically safe battery
- Surge protection: L-N 3kV

#### Installation

- cULus Listed for field installation
- Driver wires to fixture AC input leads
- Provided with connector for battery disconnect
- For use with switched or unswitched fixtures (requires unswitched power source)
- For installations where power surge may be possible, NICOR recommends installing additional surge protection at the electrical distribution panel

#### Compliance

- cULus 924 listed
- Tested to CSA C22.2 No. 141
- NFPA 101 (Life Safety Code) compliant
- CA Title 20 compliant
- Meets FCC Part 15B Class A requirements
- Wet location rated

#### Warranty

- 5-year limited system warranty standard

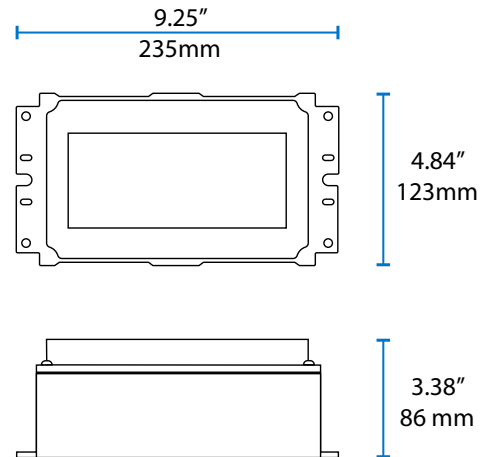
### PRODUCT INFORMATION

Input Voltage:	120-347 VAC 50/60 Hz
Input (Recharge) Power:	10W max.
Output Voltage:	170 VDC
Output Power:	8W or 18W
Emergency Operation:	90 Minutes
Operating Temp:	41°F to 122°F (5°C - 50°C)
Weight:	1.54 lbs (0.7 kg)

#### Compatible NICOR Series\*

**Outdoor:** OGS, OUCv3, OUCv4, OSAv1, OSAv3, OUSv1, OWFv1, OWGv1, OWGv2, OWGv3

*\*Not a complete list. Check compatibility before installation.*



### Ordering Information

Example: EMO1080WRVBZ

Series	Version	Output Power	Voltage Input	Finish
EMO	1 (Version 1)	080 (8W)	WRV (120-347VAC)	BZ (Bronze)
		180 (18W)		WH (White)

Specifications and dimensions subject to change without notice

NICOR, Inc. 2200 Midtown Place NE, Albuquerque, NM 87107 P: 800.821.6283 F: 800.892.8393  
www.nicorlighting.com August 25, 2023 10:53 AM EMO1 Page 1 of 1

