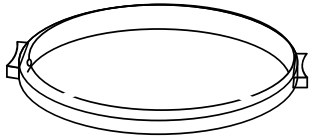
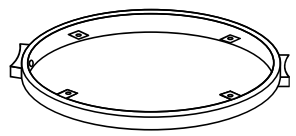
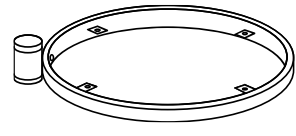

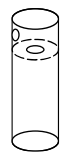

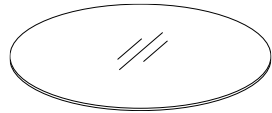
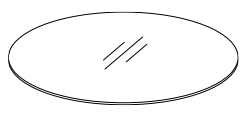
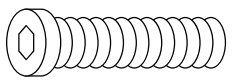
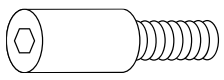

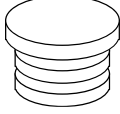

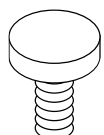

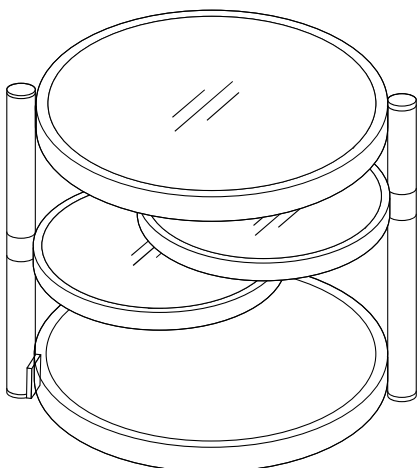


# ASSEMBLY INSTRUCTION

## NIGHTSTAND WITH GLASS TOP

<b>A</b> Bottom Frame  1pc	<b>B</b> Top Frame  1pc	<b>C</b> Middle Frame  2pcs	<b>D</b> Large Pole  2pcs
<b>E</b> Small Pole  2pcs	<b>F</b> Long Pole  2pcs	<b>G</b> Glass Top  1pc	<b>H</b> Glass Shelf  2pcs
<b>I</b> Bolt 1/4" x 38mm  4pcs	<b>J</b> Bolt 5/16" x 26mm  4pcs	<b>K</b> Under End Cap 32mm  2pcs	<b>L</b> Upper End Cap 32mm  2pcs
<b>M</b> Suction Cup 20mm  12pcs	<b>N</b> Leveler 10mm  4pcs	<b>O</b> Allen Wrench 1/4"  1pc	

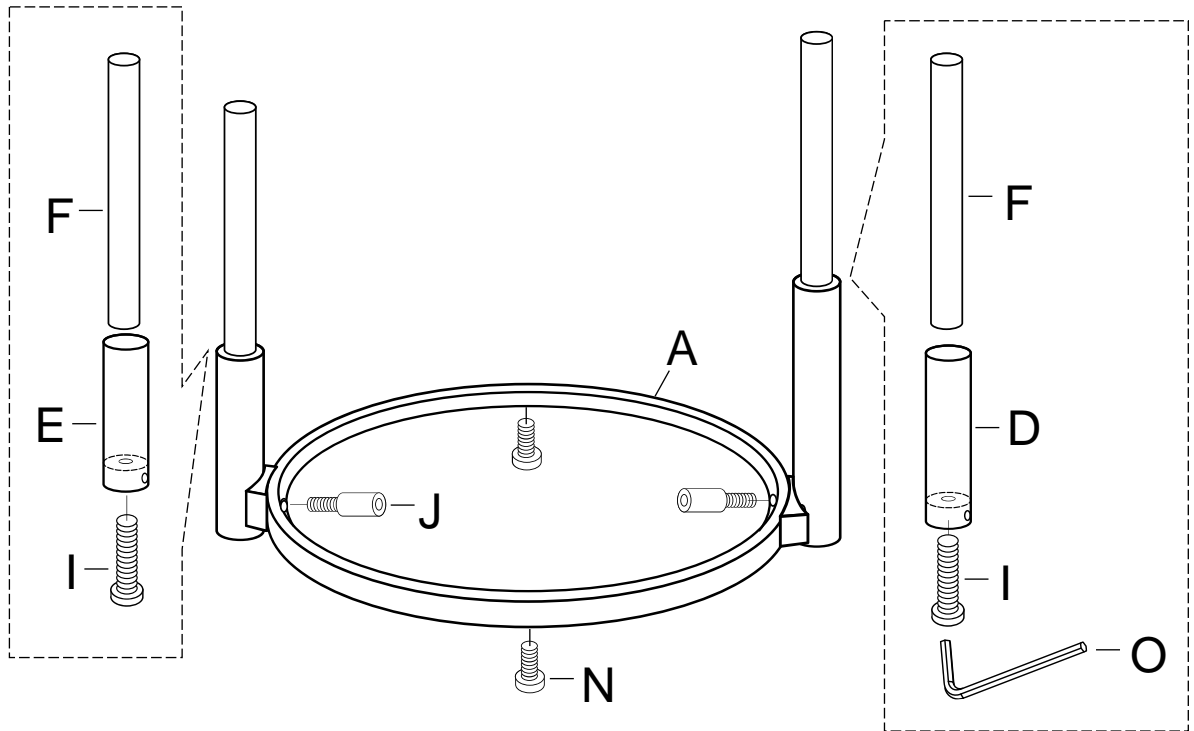


This page lists all the contents included in the box. Please take the time to identify the hardware as well as the individual components to this product. As you unpack and prepare for assembly, place the contents on a carpeted or padded area to protect them from damage.

**\*\*\* Do not tighten screws & bolts until the entire unit is completely assembled.**

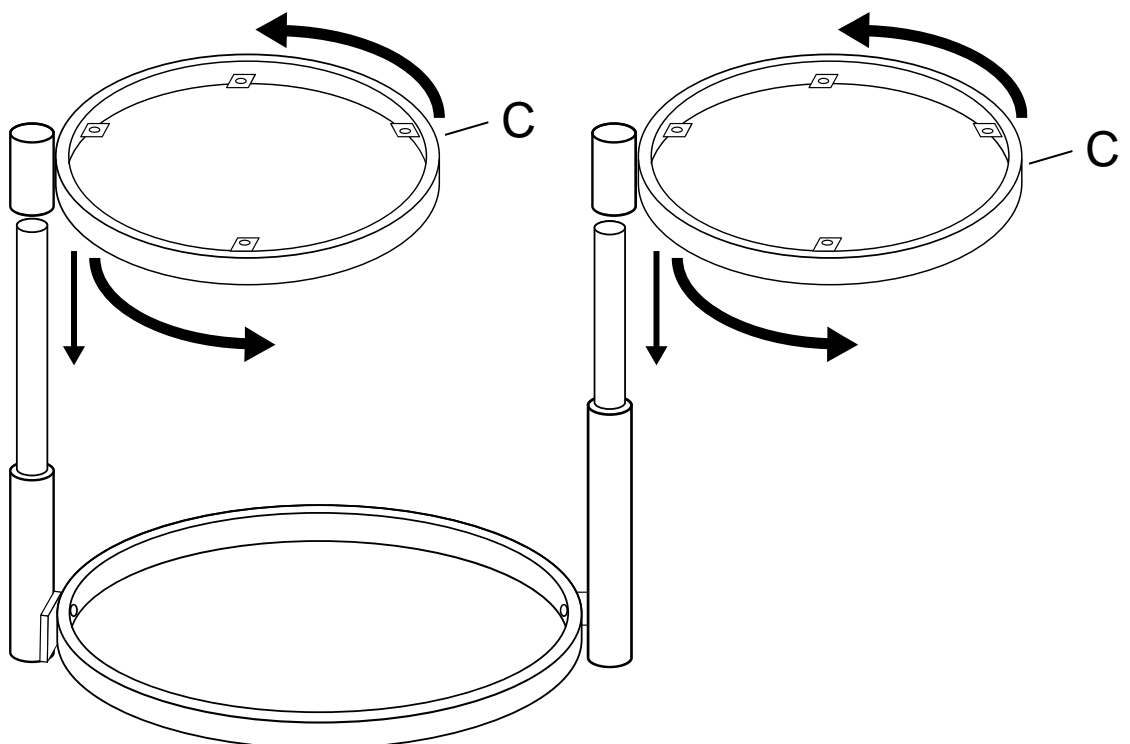
**1**

Attach Long Pole (F) to Small Pole (E) and Large Pole (D) by Bolt (I) and Allen Wrench (O). Attach assembled poles to Bottom Frame (A) by Bolt (J) and attach Leveler (N) to the bottom of Bottom Frame (A) as shown.

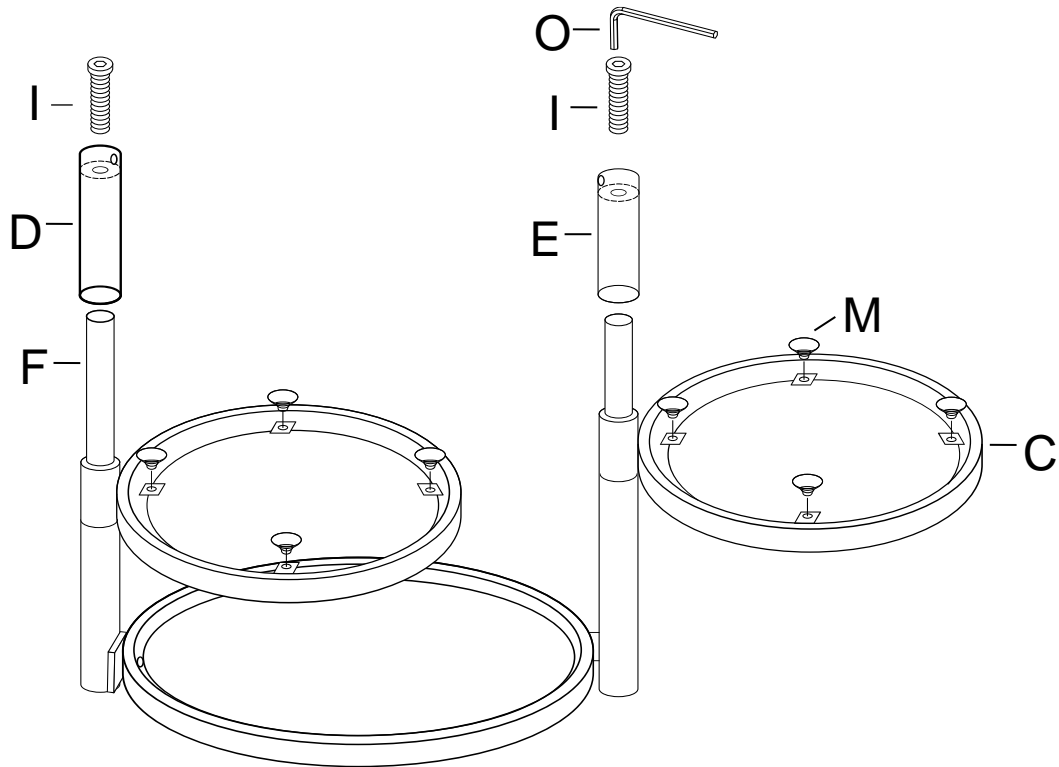


**2**

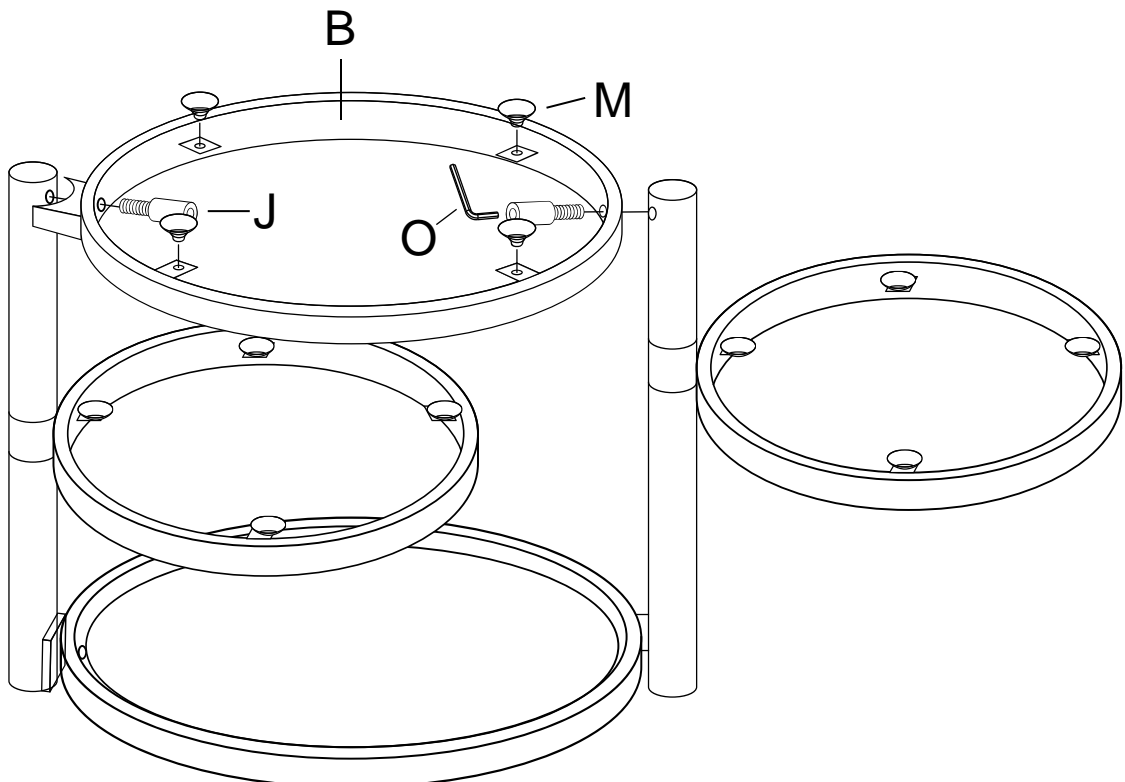
Attach Middle Frame (C) to assembled metal base as shown.



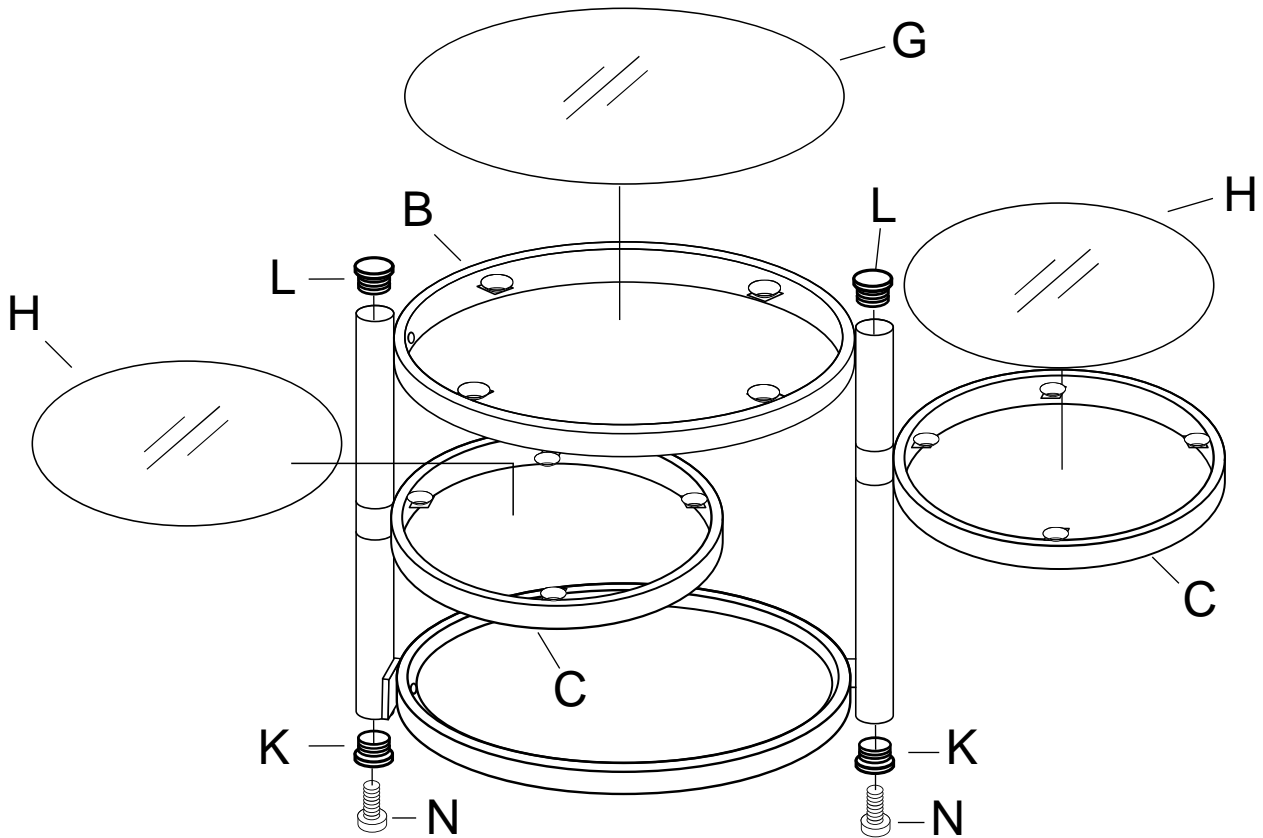
**3** Attach Small Pole (E) and Large Pole (D) to Long Pole (F) by Bolt (I) and Allen Wrench (O). Attach Suction Cup (M) to Middle Frame (C) as shown.



**4** Attach Top Frame (B) to assembled metal base by Bolt (J) and Allen Wrench (O), then attach Suction Cup (M) to Top Frame (B) as shown.



- 5** Attach Upper End Cap (L) to the top of pole and attach Under End Cap (K) to the bottom of pole. Attach Leveler (N) to Under End Cap (K). Place Glass Shelf (H) to Middle Frame (C), and place Glass Top (G) to Top Frame (B) as shown.



### Cleaning & Care

Treat surface with care. Surface is resistant to scratches but is not scratch resistant. Clean surfaces with a dry or damp soft cloth. Do not use abrasive cleaners. Hardware may loosen over time. Periodically check that all connections are tight.