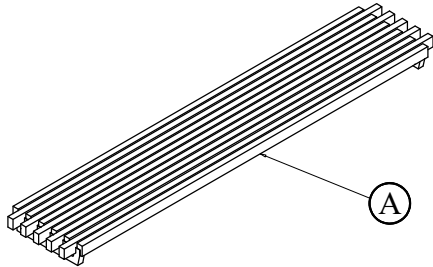


TANNER DINING BENCH ASSEMBLY INSTRUCTIONS

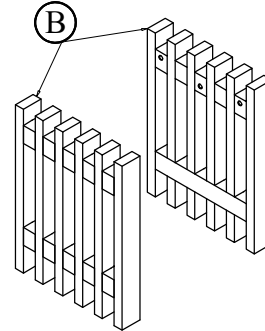


PARTS PACKING CONFIGURATIONS

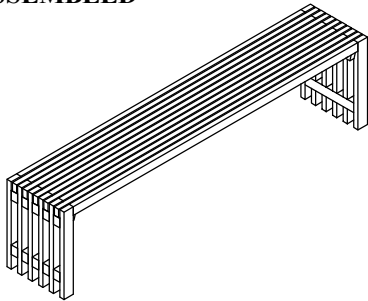
A. SEAT 1 PC



B. LEG 2 PCS

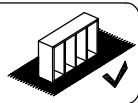
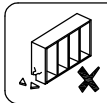


FULLY ASSEMBLED

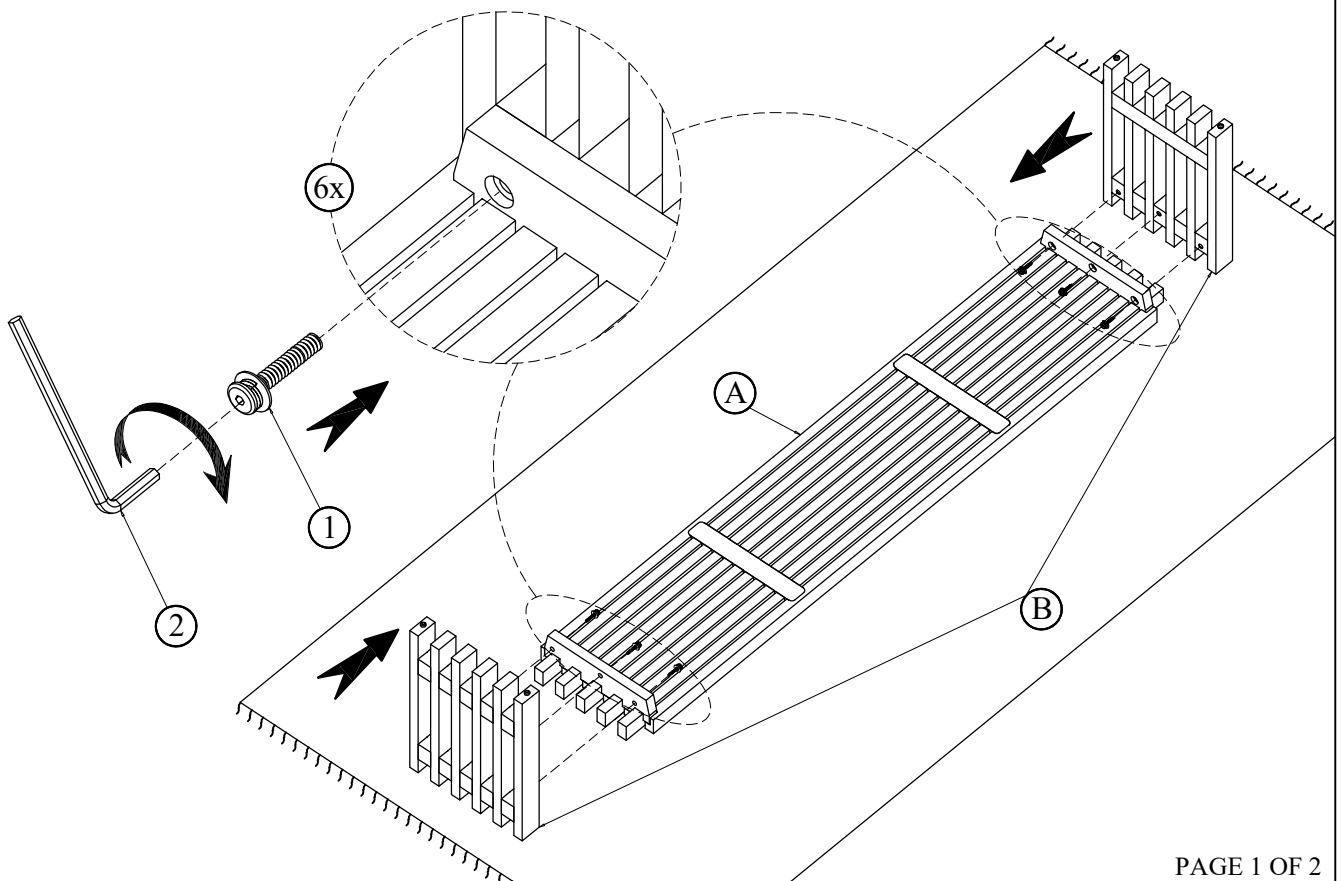


HARDWARE KIT PACKED IN BOX

NO.	DESCRIPTION	IMAGE	QTY
1	ALLEN BOLT (5/16"x45mm) with SPRING WASHER (5/16") and FLAT WASHER (5/16")		6 SETS
2	ALLEN KEY		1 PC



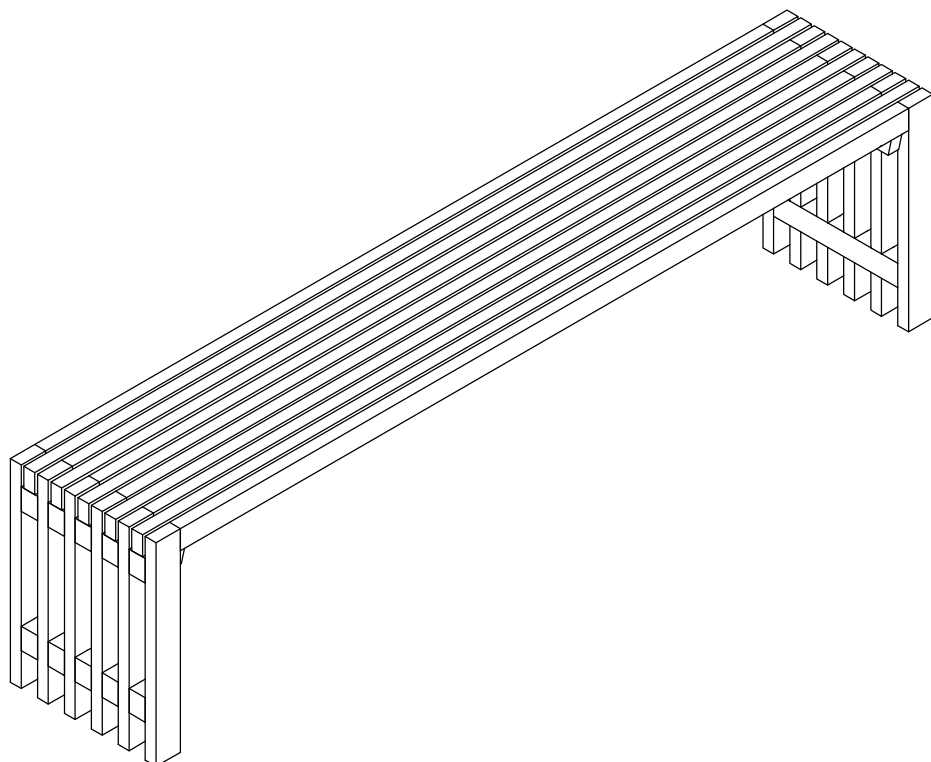
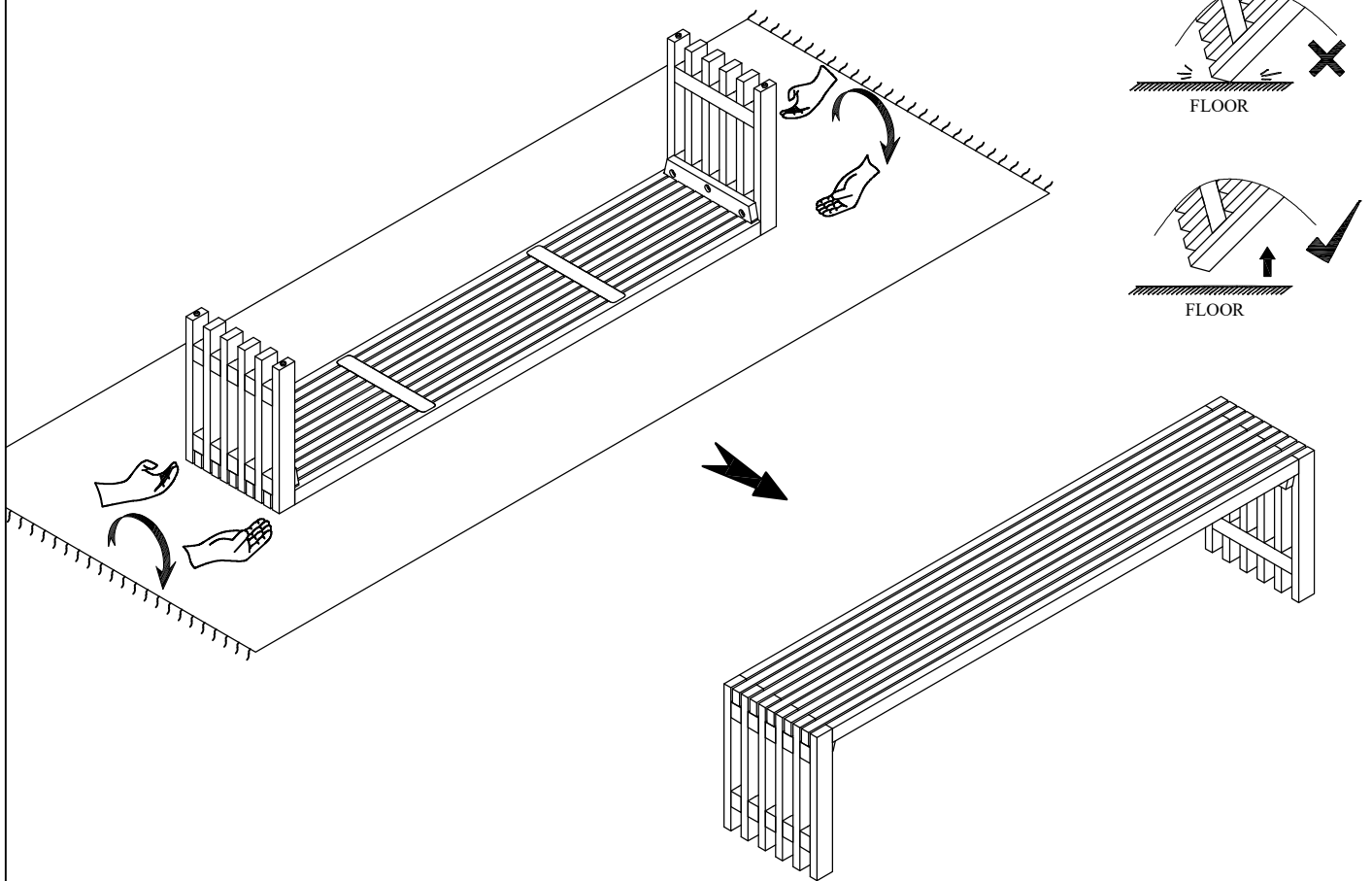
STEP 1



TANNER DINING BENCH ASSEMBLY INSTRUCTIONS



STEP 2



ASSEMBLY COMPLETE