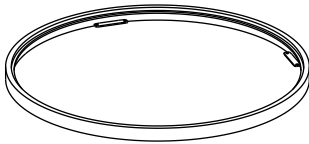


ASSEMBLY INSTRUCTION

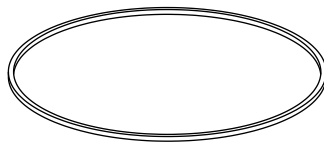
ROUND COCKTAIL TABLE WITH ANTIQUE MIRROR TOP

A Top Frame



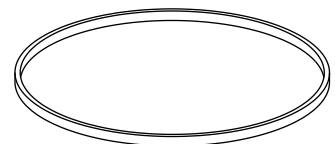
1pc

B Middle Frame



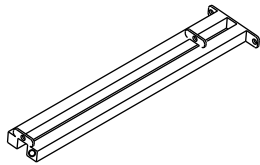
1pc

C Bottom Frame



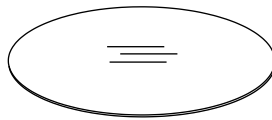
1pc

D Leg



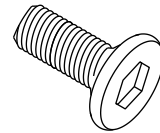
4pcs

E Mirror Top



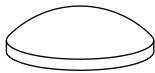
1pc

F Bolt
1/4" x 1/2"



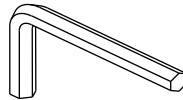
16pcs

G Glass Pad
Ø8mm x 2mm

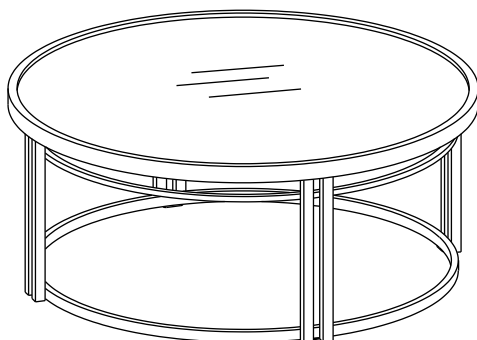


6pcs

H Allen Wrench
1/4"



1pc

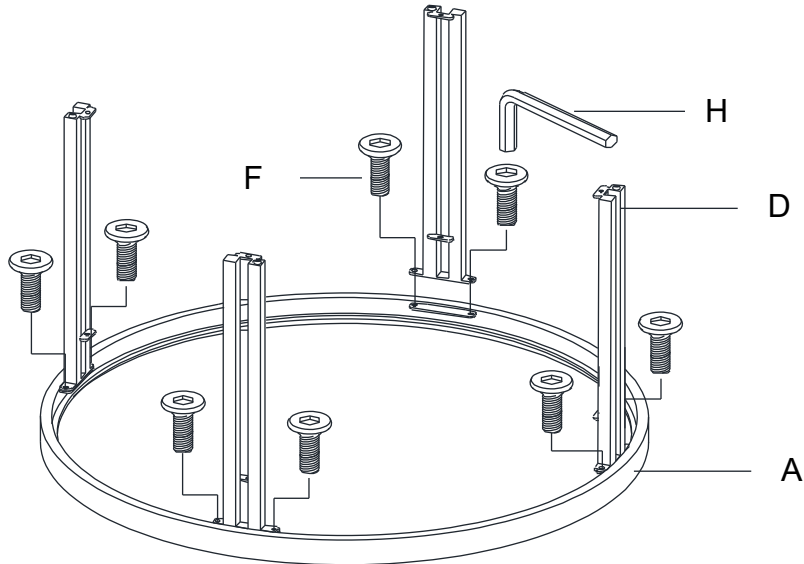


This page lists all the contents included in the box. Please take the time to identify the hardware as well as the individual components to this product. As you unpack and prepare for assembly, place the contents on a carpeted or padded area to protect them from damage.

***** Do not tighten screws & bolts until the entire unit is completely assembled.**

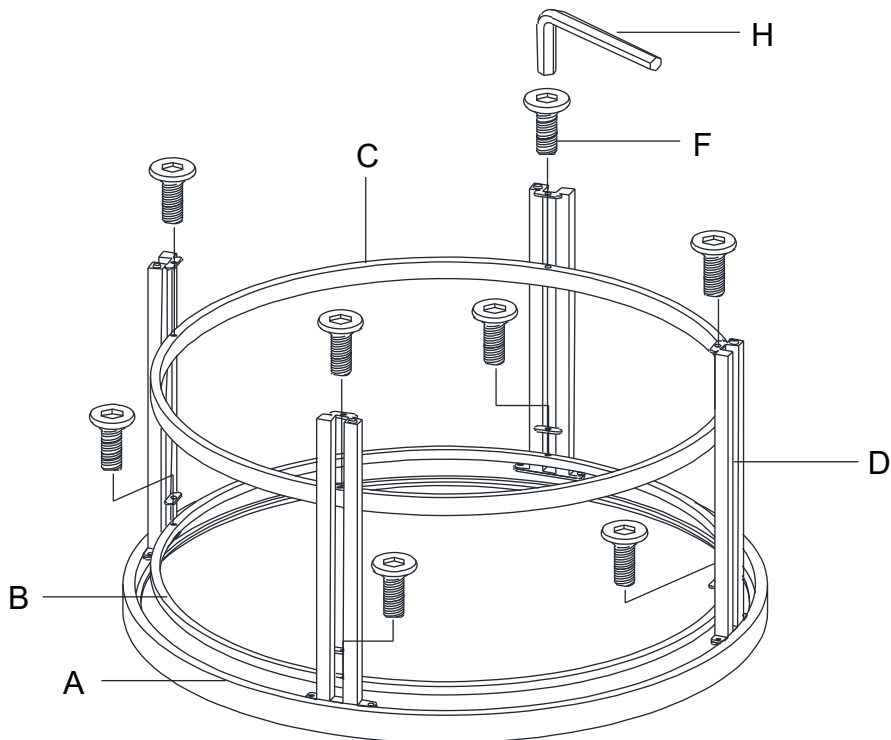
1

Attach Leg (D) to Top Frame (A) by Bolt (F) and Allen Wrench (H) as shown.



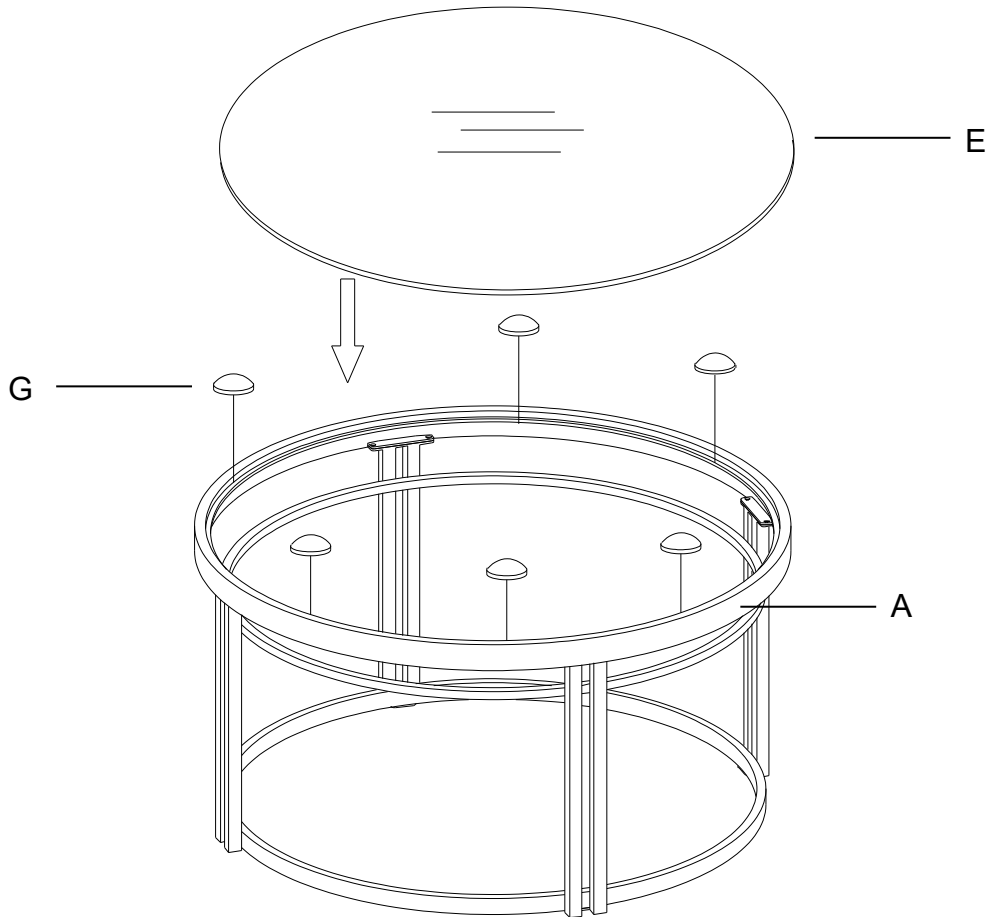
2

Attach Middle Frame (B) and Bottom Frame (C) to Leg (D) by Bolt (F) and Allen Wrench (H) as shown.



3

Attach Glass Pad (G) to Top Frame (A), then place Mirror Top (E) as shown.



Cleaning & Care

Treat surface with care. Surface is resistant to scratches but is not scratch resistant. Clean surfaces with a dry or damp soft cloth. Do not use abrasive cleaners. Hardware may loosen over time. Periodically check that all connections are tight.