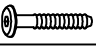
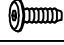


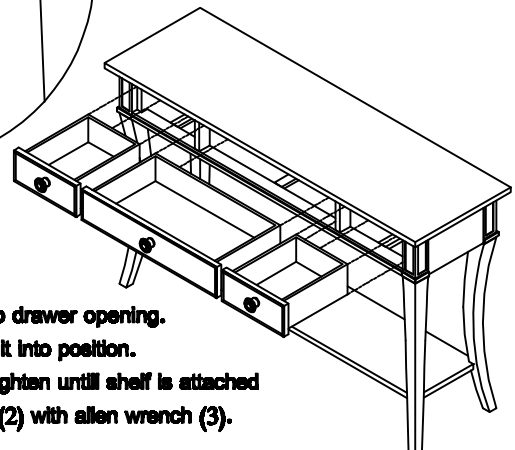
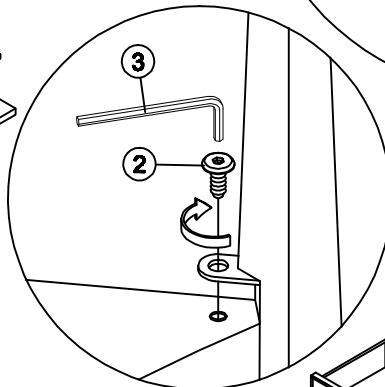
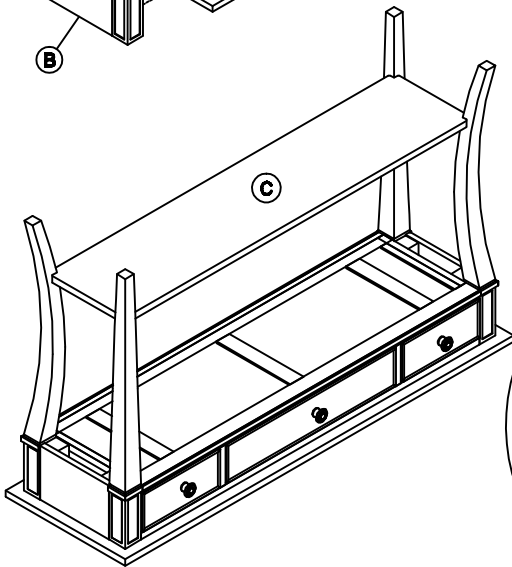
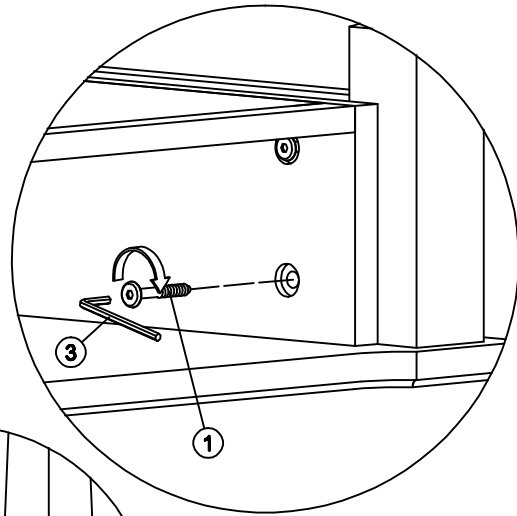
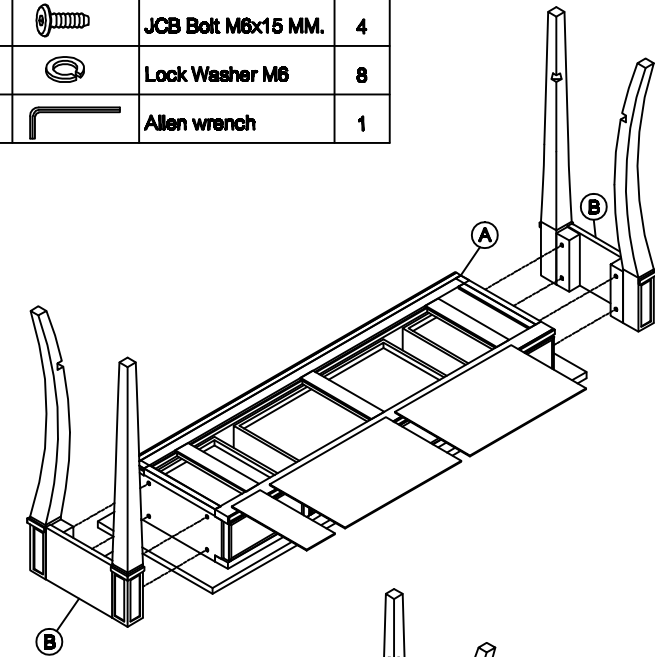


# HEKMAN®

A HOWARD MILLER COMPANY

## ASSEMBLY INSTRUCTIONS FOR 23104 CONSOLE TABLE

HARDWARE LIST			
NO.	ITEM	DESCRIPTION	QTY
1		JCB Bolt M6x50 MM.	8
2		JCB Bolt M6x15 MM.	4
3		Lock Washer M6	8
4		Allen wrench	1



### TO ASSEMBLE :

**Step 1 :** Remove drawer . Last few inches will pull hard to get past drawer stop.

**Step 2 :** Turn case on its top on soft clean surface.

**Step 3 :** Remove dust panels : slide dust panel to back of case then push down into drawer opening.

**Step 4 :** Align holes in end panel (B) with holes on side of drawer box (A) and slide it into position.

**Step 5 :** Using four JCB bolts (1) attach each panel (B) to drawer box (A). Do not tighten until shelf is attached

**Step 6 :** Attach the shelf (C) to legs (B) in the notch, tighten using JCB bolt M6x15 (2) with allen wrench (3).

Tighten the JCB Bolt (1) in Step 3 fully with allen wrench (3).

**Step 7 :** Install Dust Panel through drawer opening. Slide Dust panel into slot in backrail then Forward into slot in Front rail.

**Step 8 :** Turn case up right and install drawer.