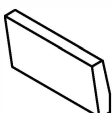
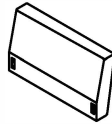
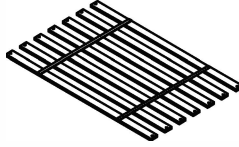





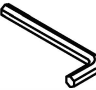

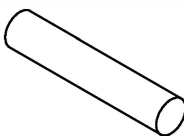
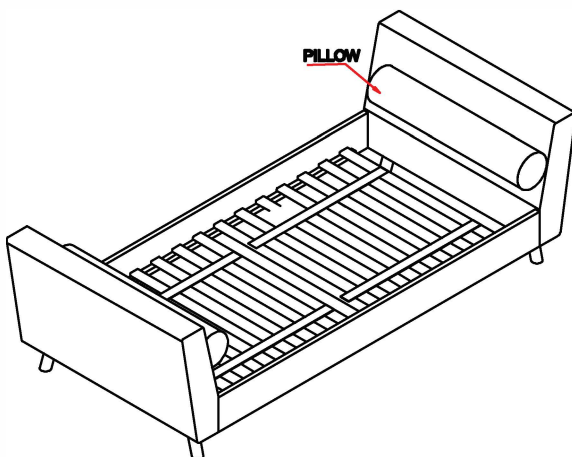


# ASSEMBLY INSTRUCTION

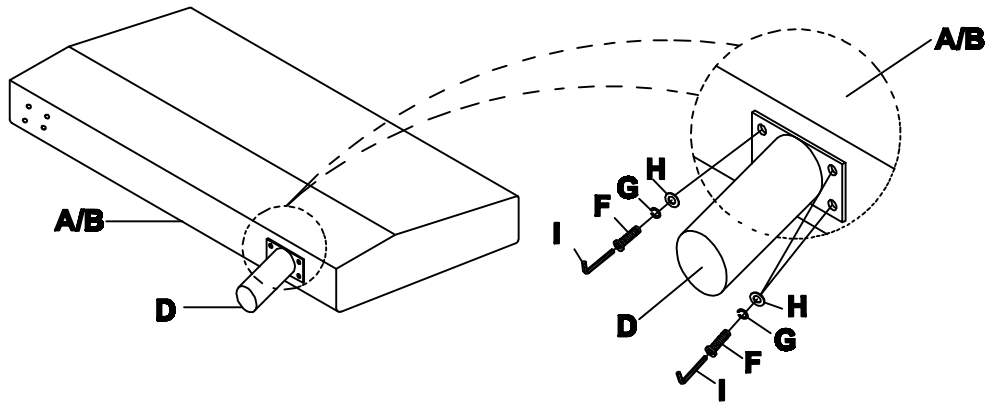
## DAYBED

|  |  |  |   |
|--|--|--|---|
| <b>A</b> LEFT ARM<br><br>1PC              | <b>B</b> RIGHT ARM<br><br>1PC                           | <b>C</b> SLATS FOR DAYBED<br><br>2PCS    | <b>D</b> LEGS<br><br>4PCS                      |
| <b>E</b> BACK/FRONT RAIL<br><br>2PCS      | <b>F</b> BOLT<br>1/4"*1-1/4"<br><br>16PCS               | <b>G</b> LOCK WASHER<br>1/4"<br><br>16PCS | <b>H</b> FLAT WASHER<br>1/4"*16MM<br><br>16PCS |
| <b>I</b> ALLEN WRENCH<br>4MM<br><br>1PC | <b>J</b> SELF-TAPPING SCREW<br>#8*1-1/4"<br><br>28PCS | <b>K</b> PILLOW<br><br>2PCS            |   |

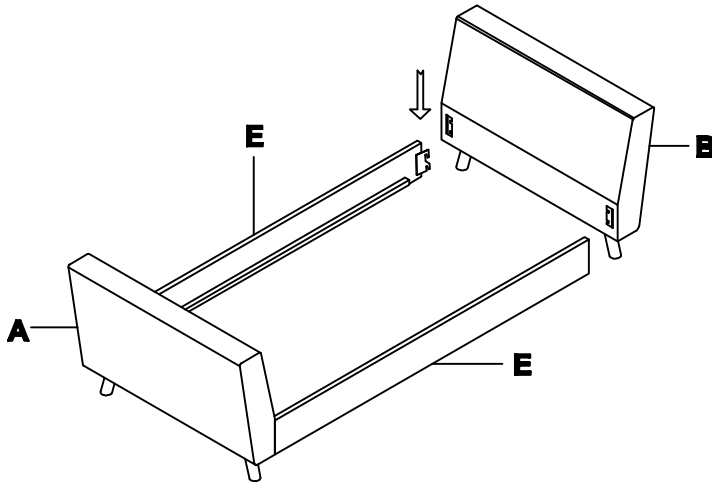
This page lists all the contents included in the box. Please take the time to identify the hardware as well as the individual components to this product. As you unpack and prepare for assembly, place the contents on a carpeted or padded area to protect them from damage.



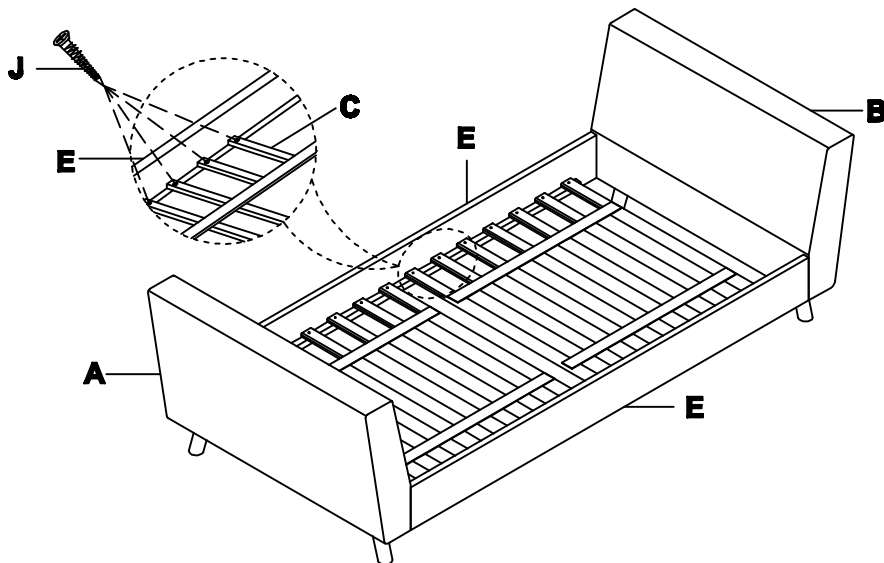
**1** ATTACHED LEFT ARM(A), RIGHT ARM(B), LEGS(D), FLAT WASHER(H), LOCK WASHER (G),BOLT(F), BY ALLEN WRENCH(I).



**2** ATTACHED RAIL(E) TO LEFT ARM(A), RIGHT ARM(B),

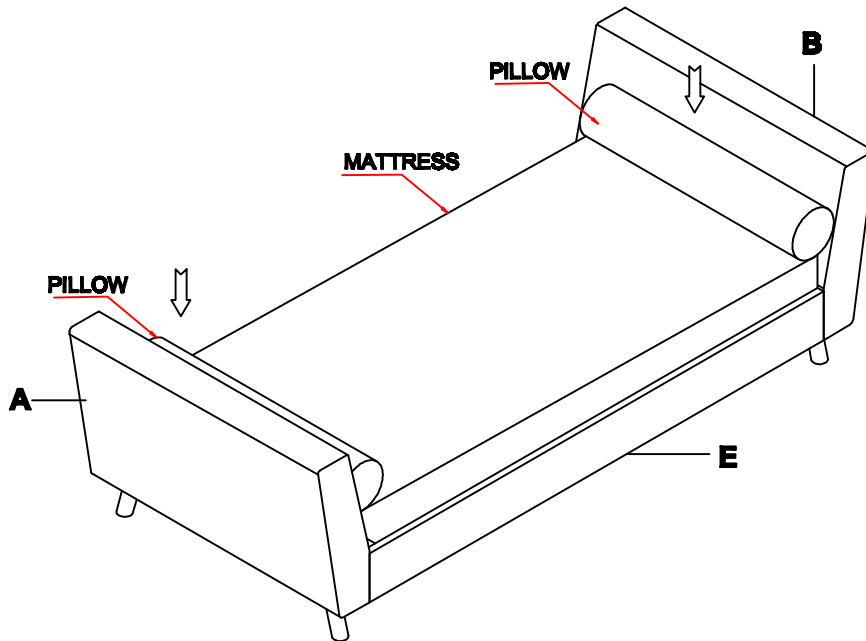


**3** ATTACHED SLATS FOR DAYBED(C), WITH SELF-TAPPING SCREW(J).



---

**4** THE MATTRESS (NOT PROVIDED) IS FLAT ON THE BED FRAME, THEN PUT THE PILLOW(K) ON BOTH ENDS OF THE MATTRESS



---

**Cleaning & Care**

Treat surface with care. Surface is resistant to scratches but is not scratch resistant. Clean surfaces with a dry or damp soft cloth. Do not use abrasive cleaners. Hardware may loosen over time. Periodically check that all connections are tight.