

# EDGE8® Port Breakout Module 8F, LC Duplex to 10 ft Plenum Interconnect MTP® (non-pinned), Bend-improved Single-mode (OS2), Type B, Universal Polarity



**Part Number:**  
**ECM8-04E8-GE8B-010F**

EDGE8 MTP® port breakout modules enable conversion from a single 4-channel parallel optic port (such as 40GSR4 (QSFP)), to a patch panel representation with four LC duplex ports for use in a main distribution area.

## Features and Benefits

### VFL-compatible shuttered LC adapters

Creates one-hand operation and decreases time needed to test and troubleshoot a link

### Rear-loading capability

Decreases the time to prepare and install modules into fiber housings

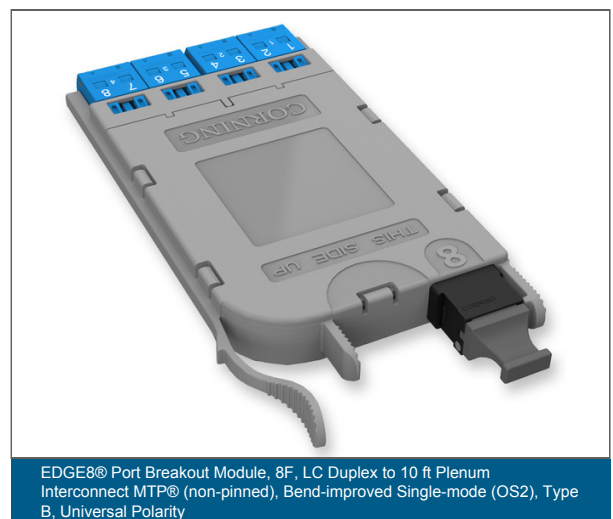
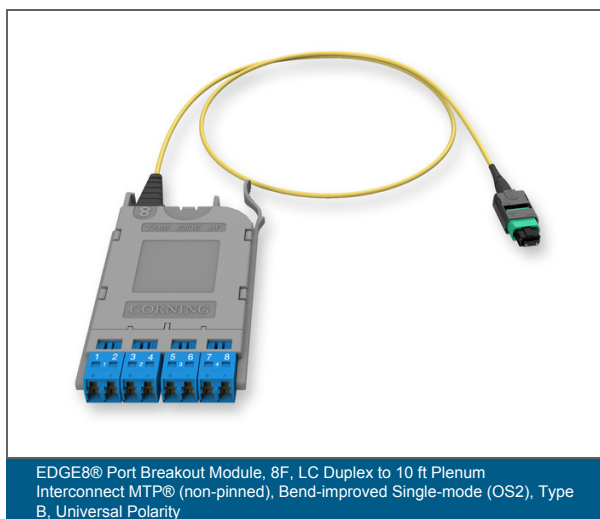
### High density

### Low insertion loss performance

Improved performance specs allow for more mated pairs and/or longer link distances

### Corning® CleanAdvantage™ technology and optimised dust cap

Eliminates the need for scoping and cleaning prior to initial field connection



# EDGE8® Port Breakout Module 8F, LC Duplex to 10 ft Plenum Interconnect MTP® (non-pinned), Bend-improved Single-mode (OS2), Type B, Universal Polarity



## Specifications

General Specifications	
Product Type	Panels
Cable Type	Interconnect
Application	Data Center LAN/SAN

Standards	
RoHS	Free of hazardous substances according to RoHS 2011/65/EU

Design	
Adapter Color Front	Blue
Adapter Type Front	Shuttered LC
Housing Type	Panels
Panel or Module Type	EDGE8®
Number of Adapters	4

Cable Design	
Polarity	Universal, TIA-568 Type-B

Optical Specification - Hardware	
Module Insertion Loss, Max	0.6 dB

Specifications - Connector A	
Connector Type	LC Uniboot
Ferrule Material	Composite

# EDGE8® Port Breakout Module 8F, LC Duplex to 10 ft Plenum Interconnect MTP® (non-pinned), Bend-improved Single-mode (OS2), Type B, Universal Polarity



Specifications - Connector B	
Connector Type	MTP® (non-pinned)
Ferrule Material	Ceramic

Ordering Information	
Product Number	ECM8-04E8-GE8B-010F
EAN Code	4056418139210
Weight	0.45 kg
Package Contents	Port Breakout Modules packaged in individual plastic bags
Units per Delivery	1/1



Corning Optical Communications LLC • 4200 Corning Place • Charlotte, NC • 28216 • United States  
800-743-2675 • FAX: 828-325-5060 • International: +1-828-901-5000 • [www.corning.com/opcomm](http://www.corning.com/opcomm)

A complete listing of the trademarks of Corning Optical Communications is available at [www.corning.com/opcomm/trademarks](http://www.corning.com/opcomm/trademarks). All other trademarks are the properties of their respective owners. Corning Optical Communications is ISO 9001 certified. © 2023 Corning Optical Communications. All rights reserved.