

FET2 Series

Fiber Entrance Terminal

CPE/Premise Wiring

DOT

FTTP

MDU

PON



FET2G-06-R-SA-9-E

The FET2 is a compact unit which features connectivity between the OSP fiber drop and customer fiber drop and slack storage. The unit is configurable for up to 12 fiber terminations.

KEY PRODUCT BENEFITS

- ▶ Indoor/outdoor for wall and pole mounting
- ▶ Provides demarcation point between outdoor fiber drop and customer premise fiber
- ▶ Constructed of superior materials capable of withstanding harsh outdoor environments, including UV degradation, chemical exposure, and extreme temperatures
- ▶ Up to 12 fiber ports for OSP to customer fiber transitions
- ▶ Integrated and removable splice tray assembly
- ▶ Entry grommets accept up to 1 inch conduit with provision for tie wrap retention
- ▶ 2X internal tie down features for proper strain relief of fiber cables
- ▶ Hinged cover fits securely on the base to provide maximum protection against environmental conditions and intrusion of foreign matter, protecting sensitive fiber connectivity
- ▶ Cover closes securely with 3/8" hex head bolt and has a provision for a tie-wrap
- ▶ Allows for mid-span access of cable

INDUSTRY STANDARDS

- ▶ Meets GR-771 Requirements

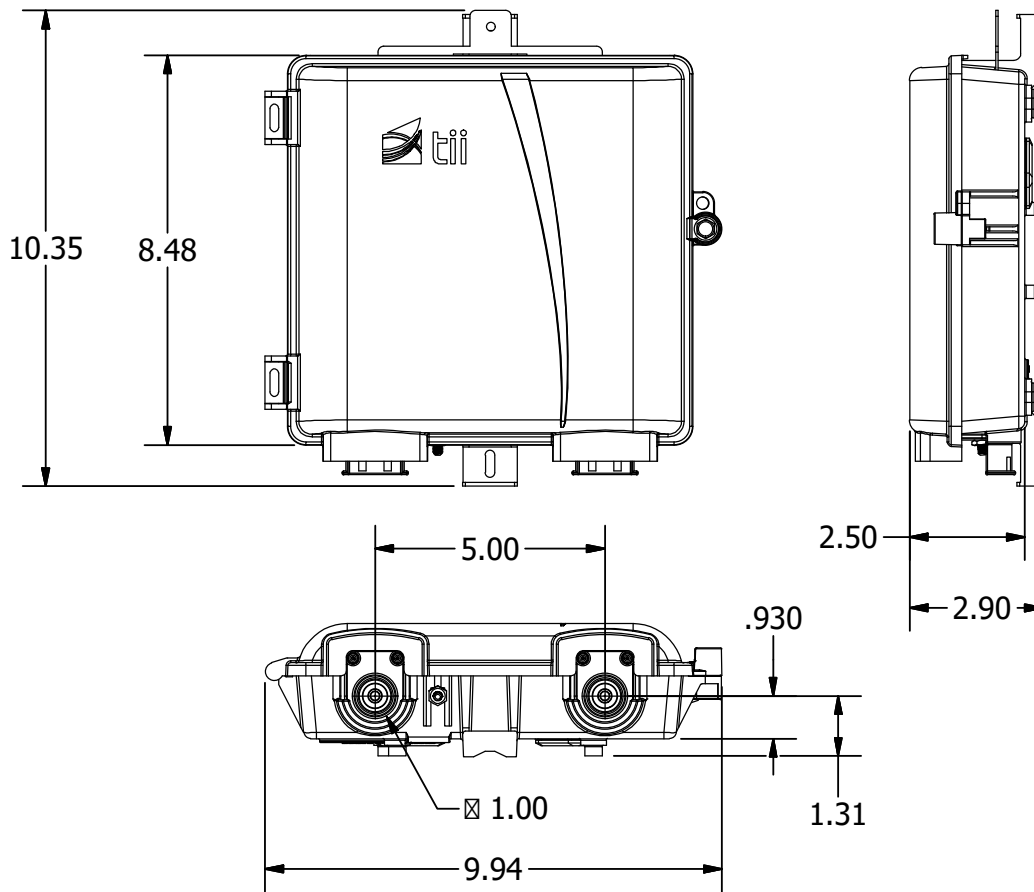


Tii Technologies Inc.

Corporate Headquarters:

141 Rodeo Drive
Edgewood, NY 11717
Phone: 631.789.5000
Fax: 631.789.5063
Toll Free: 888.844.4720
sales@tiitech.com

FET2 Series



Dimensions are in Inches

ORDERING INFORMATION

| Model No. | Description | Standard Pkg. |
|--------------|---|------------------------------------|
| FET2G | Fiber Entry Terminal, Empty, 1 LGX Adapter Plate Capacity | 5 each, 11" x 11" x 16" - 8.4 lbs. |

CUSTOM MODEL NUMBER MATRIX

| FET2G — | XX— | X— | XX— | XX— |
|---------|-------------|---|-----------------------------------|---|
| | Fiber Ports | Fiber Type | Adapters | Pigtails |
| | 01 - 12 | K = MM62.5 OM1 N = SM G657A2 R = SM G657A1 S = MM50 OM3 Z = SM G657B3 | LC = LC SC = SC SA = SC APC | N = Patch Only 5 = 250um Pigtails 9 = 900um Pigtails R = 12 Fiber Ribbon Pigtail |

INFORMATION CONTAINED IN THIS PUBLICATION IS PROVIDED ONLY FOR YOUR CONVENIENCE AND IS SUBJECT TO CHANGE WITHOUT NOTICE. TII TECHNOLOGIES MAKES NO REPRESENTATIONS OR WARRANTIES OF ANY KIND WHETHER EXPRESS OR IMPLIED, WRITTEN OR ORAL, STATUTORY OR OTHERWISE, RELATED TO THE INFORMATION, INCLUDING BUT NOT LIMITED TO ITS CONDITION, QUALITY, PERFORMANCE, MERCHANTABILITY OR FITNESS FOR PURPOSE; AND TII TECHNOLOGIES DISCLAIMS ALL LIABILITY ARISING FROM THE USE OF THIS INFORMATION.