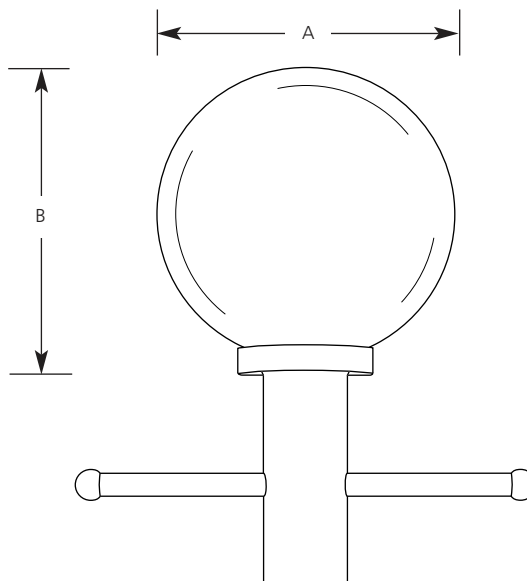


Type _____
 -60
 P5478

Catalog No.	Finish Black	Lamping	Dimensions (Inches)	
			A	B
P5478	-60	1-100w A19	10	10-1/4



Specifications:

General

- Shatter resistant acrylic 10" globe: 10" dia., 3-15/16" OD fitter
- Black polycarbonate fitter
- Lamp replacement - Twist removal of the globe
- Matching wall unit available

Mounting

- Post top – fitter for 3" post

Electrical

- Medium base phenolic socket

Labeling

- UL-CUL wet location listed