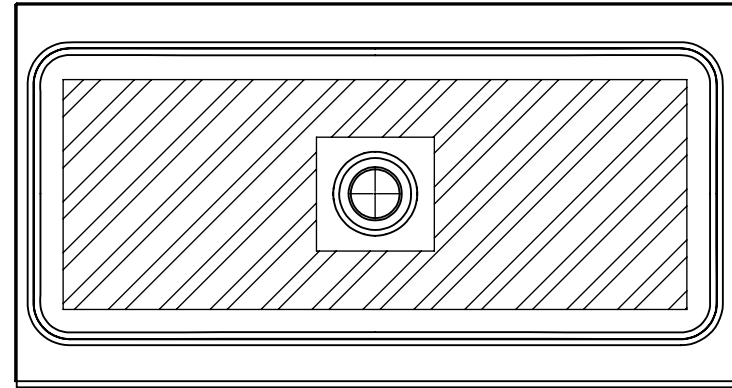
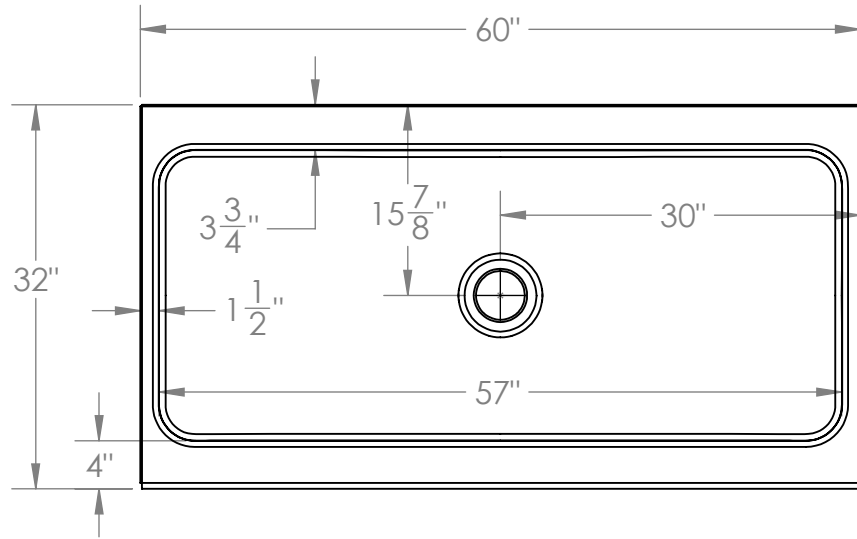


2

1

B

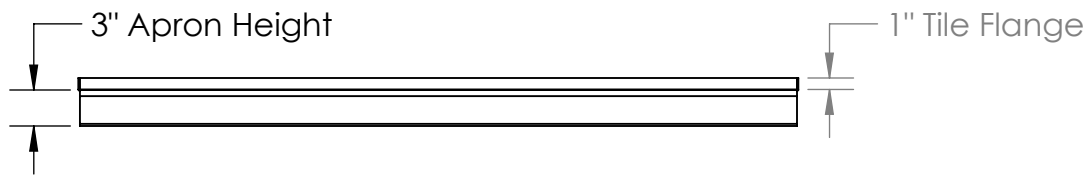
B



Shaded area represents anti-slip coverage

A

A



- All dimensions are approximate. Measurements should be verified against the unit to ensure proper fit

2

1