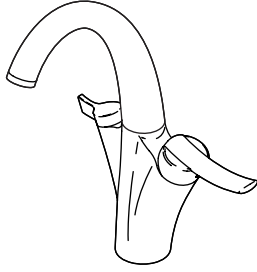


Installation Guide

Kitchen Faucet with Water Filtration Option

K-18865



M product numbers are for Mexico (i.e. K-12345**M**)
Los números de productos seguidos de
M corresponden a México (Ej.
K-12345**M**)
Français, page "Français-1"
Español, página "Español-1"

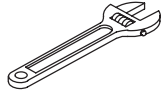
1068887-2-A

THE BOLD LOOK
OF **KOHLER**®

Thank You For Choosing Kohler Company

We appreciate your commitment to Kohler quality. Please take a few minutes to review this manual before you start installation. If you encounter any installation or performance problems, please don't hesitate to contact us. Our phone numbers and website are listed on the back cover. Thanks again for choosing Kohler Company.

Tools and Materials



Adjustable
Wrench



Phillips
Screwdriver

Before You Begin



CAUTION: Risk of property damage. Do not install the unit where the temperature may drop below freezing, may be exposed to direct sunlight, or may be exposed to heat.



CAUTION: Risk of personal injury or property damage. Use caution when installing near water pipes or electrical lines.

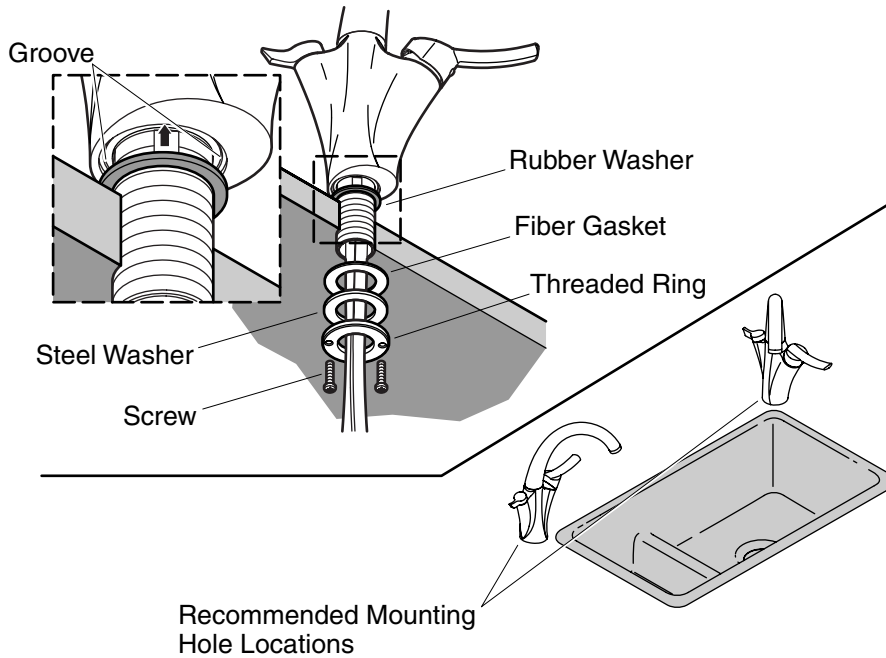
NOTE: This faucet is designed for use with a water filtration system. The Kohler K-200 water filtration is recommended.

NOTE: This faucet features an asymmetrical design. Although the faucet body may be positioned at any location around the sink, we recommend the faucet body be located at 45 degrees to the front of the sink.

- Observe all local plumbing and building codes.
- Shut off the main water supply.
- Inspect the tubing for any sign of damage. Replace if necessary.
- If possible, install this faucet before installing the sink.
- This product is not for use with instant hot water systems.

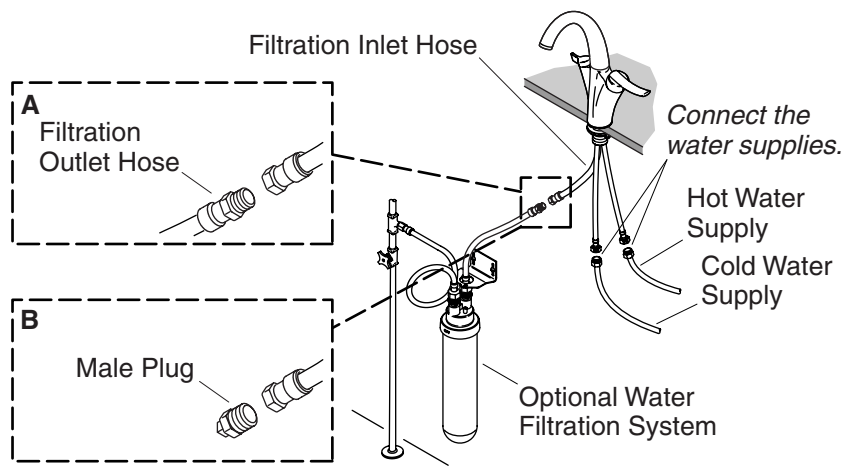
Before You Begin (cont.)

- If a water filtration system **will not** be connected, a male plug (not provided) will be needed to cap the filtration inlet hose.
- Kohler Co. reserves the right to make revisions in the design of faucets without notice, as specified in the Price Book.



1. Install the Faucet Body

- Determine the mounting hole location based on the user's preference. We recommend the faucet body be located at 45 degrees to the front of the sink.
- Drill a 1-5/16" (3.3 cm) hole through the mounting surface according to the surface manufacturer's instructions.
- Install the rubber washer into the groove in the bottom of the faucet body.
- Position the hoses and shank through the mounting hole, then properly position the faucet body.
- From under the sink, slide the fiber washer and steel washer onto the shank.
- Thread the threaded ring onto the shank to secure the faucet body to the mounting surface.
- Thread the two screws into the threaded ring, then tighten with a Phillips screwdriver.



2. Connect the Supplies

For all installations:

- Install the sink (if needed) according to the sink manufacturer's instructions.
- Connect the hot and cold water supplies. Left is hot, right is cold.
- Tighten all connections.

For installations with a water filtration system (A):

NOTE: Although the water filtration system selected may differ from the one illustrated (Kohler Model K-200), the instructions still apply.

- Connect the filtration inlet hose to the filtration outlet hose of the water filtration system. Refer to the installation instructions packed with the water filtration system.
- Turn on the main water supply and check for leaks. Repair as needed.
- Run water through the system for several minutes to remove any air in the system.

For installations without a water filtration system (B):

- Cap the filtration inlet hose with a male plug.
- Turn on the main water supply and check for leaks. Repair as needed.