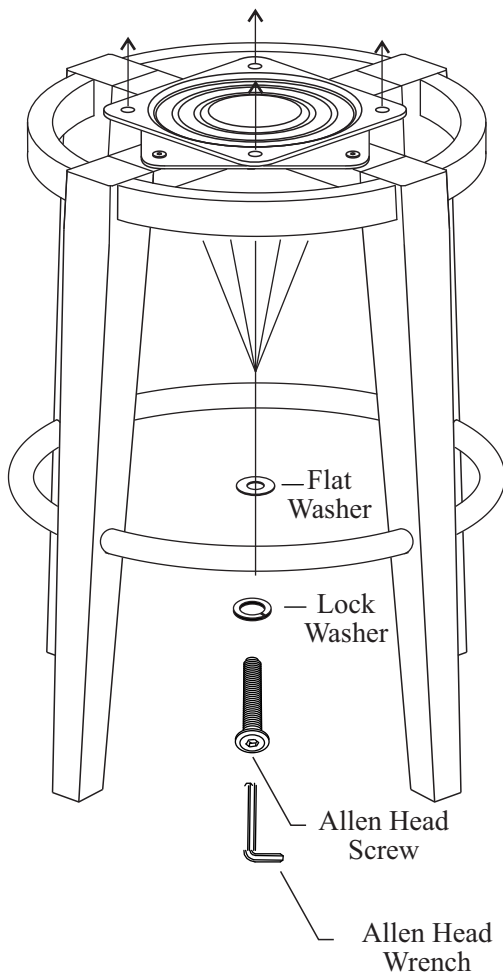






— Seat Assembly



— Base Assembly

Attach the Seat Assembly to the Base Assembly with hardware as shown.
Periodically check that the screws are tight and secure.
Maximum Weight capacity = 300 pounds

HARDWARE ENCLOSED

	Flat Washer	4 pieces
	Lock Washer	4 pieces
	Allen Head Screw 6 x 20 mm	4 pieces
	Allen Head Wrench	1 piece

